



# Bobcat®

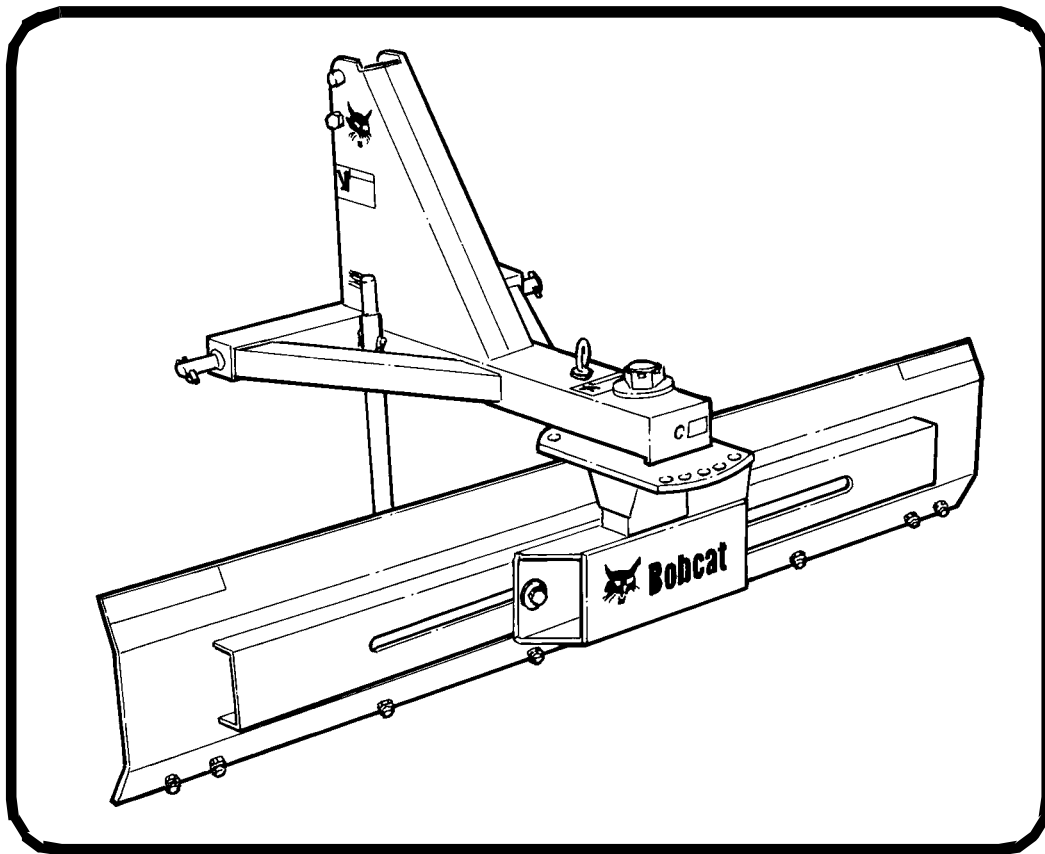
---

## Operation & Maintenance Manual

### Three-Point Angle Blade

---

(3AB60) S/N AKZY00101 & Above  
(3AB72) S/N AKZZ00101 & Above  
(3AB84) S/N AL1100101 & Above  
(3AB96) S/N AL1200101 & Above



CLICK HERE TO **DOWNLOAD** THE COMPLETE MANUAL

- Thank you very much for reading the preview of the manual.
- You can download the complete manual from: [www.heydownloads.com](http://www.heydownloads.com) by clicking the link below



- Please note: If there is no response to CLICKING the link, please download this PDF first and then click on it.

CLICK HERE TO **DOWNLOAD** THE COMPLETE MANUAL

## **SAFETY & TRAINING RESOURCES**

|   |    |
|---|----|
| SAFETY INSTRUCTIONS .....                                     | 11 |
| Safe Operation Is The Operator’s Responsibility .....         | 11 |
| Safe Operation Needs A Qualified Operator .....               | 11 |
| Use Safety Rules .....  | 12 |
| Call Before You Dig .....                                     | 12 |
| Avoid Silica Dust .....                                       | 12 |
| Safety Rules For Power Take-Off (PTO) Driven Implements ..... | 13 |
| Compact Tractor Requirements And Capabilities .....           | 13 |
| <br>  |    |
| FIRE PREVENTION .....   | 14 |
| Maintenance .....   | 14 |
| Operation .....   | 14 |
| Electrical .....  | 14 |
| Hydraulic System .....  | 14 |
| Fueling .....   | 14 |
| Starting .....  | 14 |
| Spark Arrestor Exhaust System .....                           | 14 |
| Welding And Grinding .....                                    | 15 |
| Fire Extinguishers .....                                      | 15 |
| <br>  |    |
| PUBLICATIONS AND TRAINING RESOURCES .....                     | 16 |
| <br>  |    |
| IMPLEMENT SIGNS (DECALS) .....                                | 17 |

## OPERATING INSTRUCTIONS

|   |    |
|---|----|
| DAILY INSPECTION .....                                    | 21 |
| Implement Mounting Frame .....                            | 21 |
| Three-Point Hitch .....                                   | 22 |
| OPERATING PROCEDURE WITH UTILITY WORK MACHINES .....      | 23 |
| Approved Work Machine Models And Requirements .....       | 23 |
| Entering And Exiting The Work Machine .....               | 24 |
| Installation .....  | 25 |
| Control Functions Three-Point Hitch .....                 | 29 |
| Operation With The Work Machine .....                     | 29 |
| Removal .....   | 34 |
| OPERATING PROCEDURE WITH COMPACT TRACTORS .....           | 36 |
| Approved Compact Tractor Models & Requirements .....      | 36 |
| Machine / Implement Setup .....                           | 36 |
| Entering And Exiting The Compact Tractor .....            | 37 |
| Installation .....  | 38 |
| Control Functions Three-Point Hitch (Implement) .....     | 42 |
| Operation With The Compact Tractor .....                  | 42 |
| Removal .....   | 47 |
| LIFTING THE IMPLEMENT .....                               | 49 |
| Procedure .....   | 49 |
| TRANSPORTING THE IMPLEMENT ON A TRAILER .....             | 49 |
| Fastening .....   | 49 |
| TRANSPORTING THE IMPLEMENT AND MACHINE ON A TRAILER ..... | 50 |
| Loading And Fastening .....                               | 50 |

## OPERATING PROCEDURE WITH UTILITY WORK MACHINES (CONT'D)

### Control Functions Three-Point Hitch

The three-point hitch will be used to raise or lower the implement. (See the work machine's Operation & Maintenance Manual and Operator's Handbook for detailed information on operating the three-point hitch).

### Operation With The Work Machine

#### *Driving The Implement And Work Machine To Worksite*

Read and understand the work machine's Operation & Maintenance Manual and Operator's Handbook prior to installing or using any implement.

## **WARNING**

### AVOID INJURY OR DEATH

- **Steering and braking can be affected by the attachment and / or implement. Do not exceed the Loader Rated Operating Capacity, Three-Point Hitch lift capacity or towing capacity.**
- **Always carry loads low. Slow down when turning.**

W-2730-0608

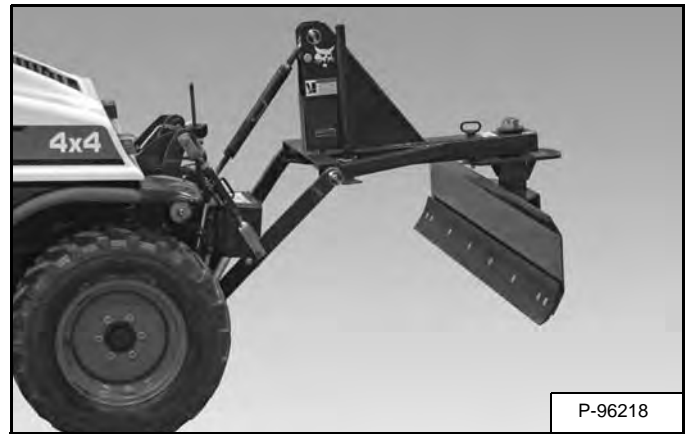
## **WARNING**

### AVOID INJURY OR DEATH

- **Always fasten the seat belt.**
- **Never modify equipment or use unapproved implements.**
- **Operate the utility work machine from the operator's seat only.**
- **Keep bystanders away. Never carry riders (except in the passengers seat with the seat belt fastened).**

W-2731-0608

**Figure 21**



Enter the work machine. (See Entering And Exiting The Work Machine on Page 24.) Start the engine.

Raise the three-point angle blade to the travel position [**Figure 21**]. (See the work machine's Operation & Maintenance Manual for detailed information on operating the three-point hitch.)

Drive the work machine and implement to the work area.

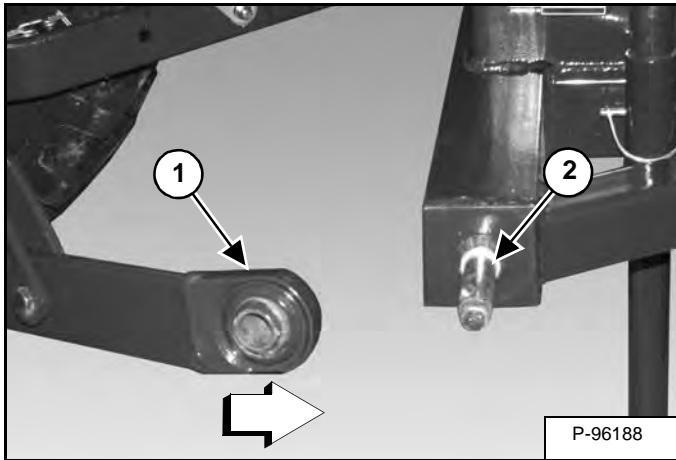
When operating on a public road or highway, always follow local regulation. For example: Slow Moving Vehicle (SMV) emblem or directional signals and hazard / flasher lights may be required.

## OPERATING PROCEDURE WITH COMPACT TRACTORS (CONT'D)

### Installation (Cont'd)

#### Three-Point Implement (Cont'd)

Figure 39



Drive the compact tractor to the implement and align the lower links (Item 1) with the implement lower mounting pins (Item 2) [Figure 39] (both sides).

Lower or raise the compact tractor's three-point hitch lower links (Item 1) until they are even with the lower mounting pins (Item 2) [Figure 39] (both sides) of the three-point implement. (See the compact tractor's Operation & Maintenance Manual for detailed information on operating the compact tractor.)

Stop the engine and exit the compact tractor. (See Entering And Exiting The Compact Tractor on Page 37.)

## WARNING

### CRUSHING CAN CAUSE SERIOUS INJURY OR DEATH

- Keep arms and feet away from implement while raising and lowering.
- Do Not stand between the compact tractor and implement.
- Move the three-point hitch position lever slowly.

W-2748-0708

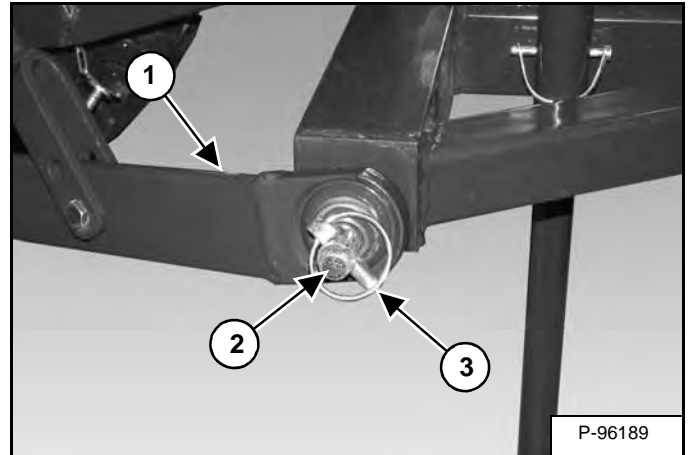
## WARNING

### AVOID INJURY OR DEATH

Keep fingers and hands out of pinch points when installing and removing implements.

W-2571-0807

Figure 40



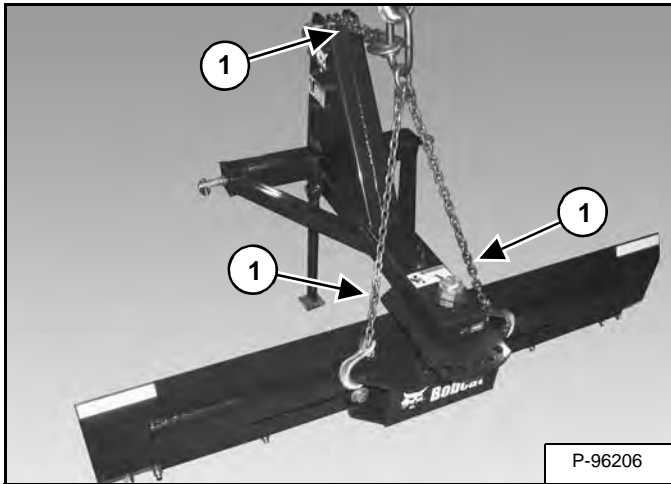
Install the lower link (Item 1) on the implement pin (Item 2) (both sides). Install the retainer pin (Item 3) [Figure 40] (both sides).

The sway bar pins can be removed to help with the installation of the lower links to the implement pins.

## LIFTING THE IMPLEMENT

### Procedure

Figure 62



Fasten the chains to the three-point angle blade (Item 1) [Figure 62].

**NOTE:** Use chains that are in good condition and of adequate size to lift the implement.

## TRANSPORTING THE IMPLEMENT ON A TRAILER

### Fastening

Figure 63

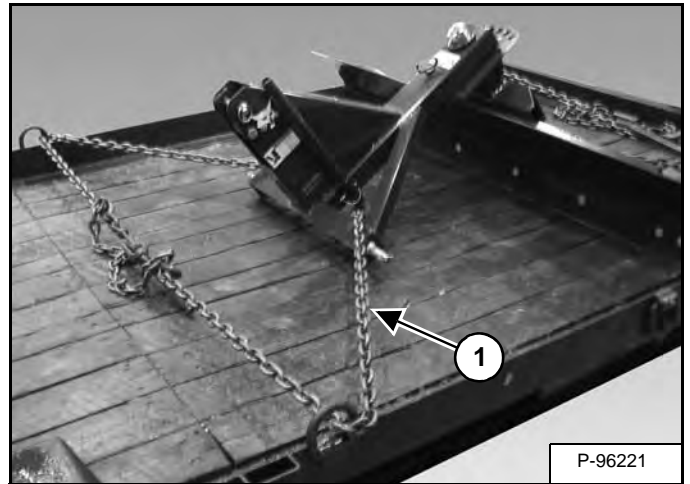
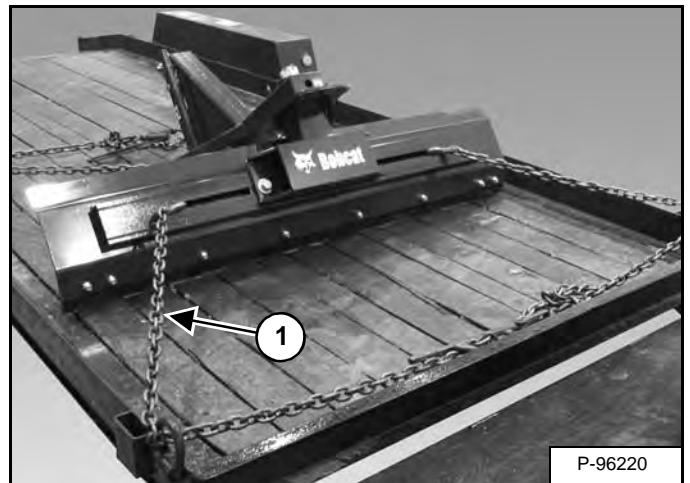


Figure 64



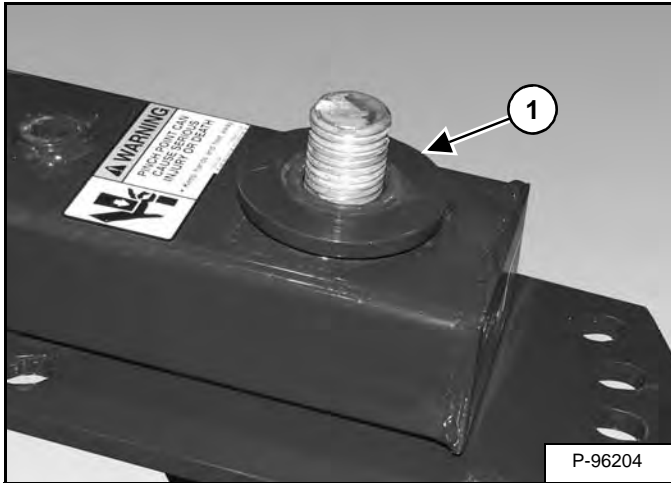
Fasten the chains to the implement (Item 1) [Figure 63] and [Figure 64] and fasten each end of the chain to the transport vehicle.

Use chain binders to prevent the implement from moving during transport.

## REMOVAL AND INSTALLATION OF PIVOT MOUNT (CONT'D)

### Procedure (Cont'd)

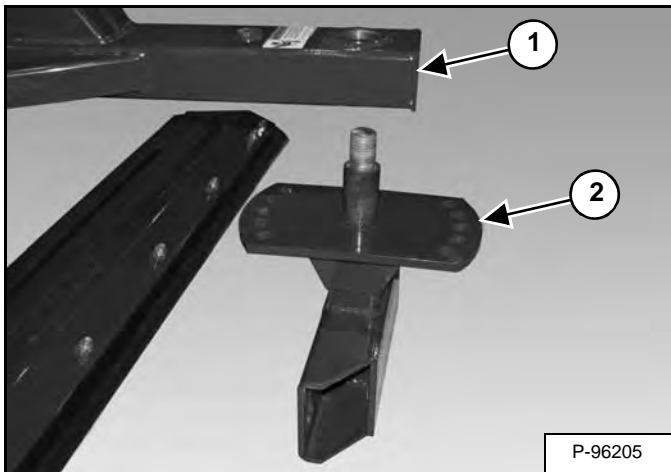
Figure 73



Remove the washer (Item 1) [Figure 73].

**Installation:** Install the washer onto the spindle.

Figure 74



Raise the machine's three-point separating the mainframe (Item 1) from the pivot assembly (Item 2) [Figure 74].

Move the pivot assembly from under the mainframe.

Lower the machine's three-point until the mainframe is setting on the ground.

Inspect all parts for wear or damage. Replace any worn or damaged parts. See your Bobcat dealer for replacement parts.

**Installation:** Raise the machine's three-point until the mainframe is about 16 - 18 in. (406 - 457 mm) above the ground.

Place the pivot assembly under the mainframe, aligning the pivot spindle with the mounting hole in the mainframe.

Slowly lower the machine's three-point until the mainframe is sitting on the pivot assembly.

CLICK HERE TO **DOWNLOAD** THE COMPLETE MANUAL

- Thank you very much for reading the preview of the manual.
- You can download the complete manual from: [www.heydownloads.com](http://www.heydownloads.com) by clicking the link below



- Please note: If there is no response to CLICKING the link, please download this PDF first and then click on it.

CLICK HERE TO **DOWNLOAD** THE COMPLETE MANUAL