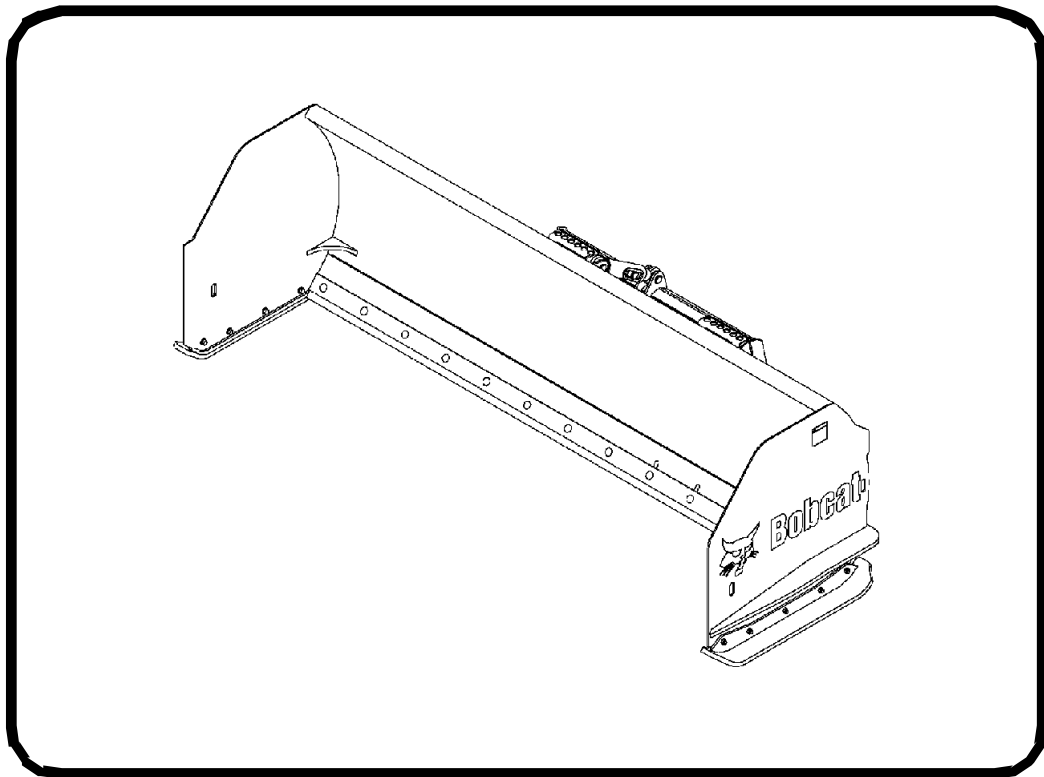




Bobcat®

Operation & Maintenance Manual Snow Pusher

(Snow Pusher 94) S/N A01500101 & Above
(Snow Pusher 94R) S/N AV5V00101 & Above
(Snow Pusher 120) S/N A01T00101 & Above
(Snow Pusher 120R) S/N AV5U00101 & Above



CLICK HERE TO **DOWNLOAD** THE COMPLETE MANUAL

- Thank you very much for reading the preview of the manual.
- You can download the complete manual from: www.heydownloads.com by clicking the link below



- Please note: If there is no response to CLICKING the link, please download this PDF first and then click on it.

CLICK HERE TO **DOWNLOAD** THE COMPLETE MANUAL



Bobcat®

DAILY INSPECTION (CONT'D)

Bob-Tach (Cont'd)

Power Bob-Tach

! WARNING

AVOID INJURY OR DEATH

The Bob-Tach wedges must extend through the holes in the attachment mounting frame. Levers must be fully down and locked. Failure to secure wedges can allow attachment to come off.

W-2715-0208

Figure 11

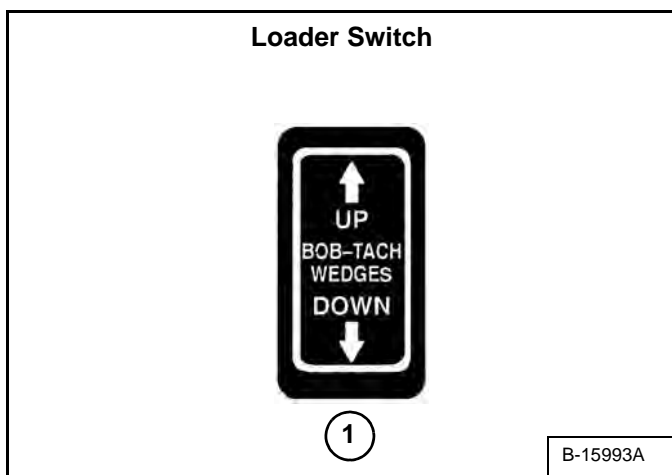


Figure 12

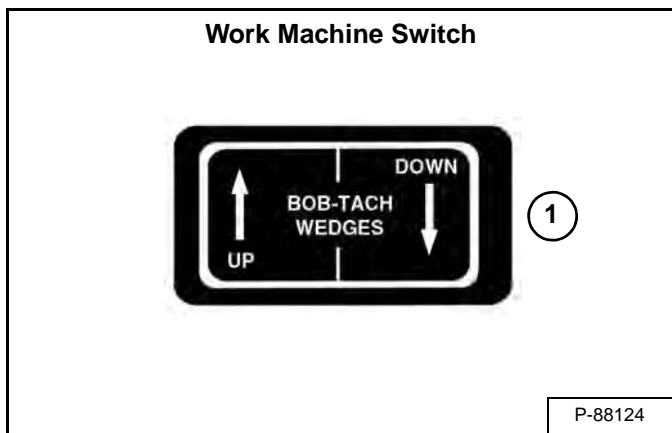
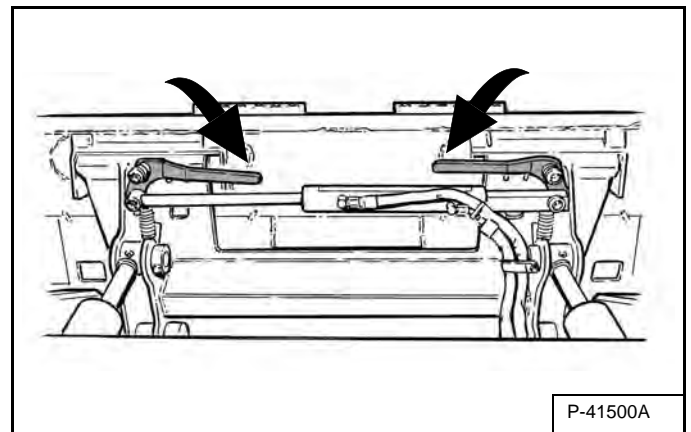
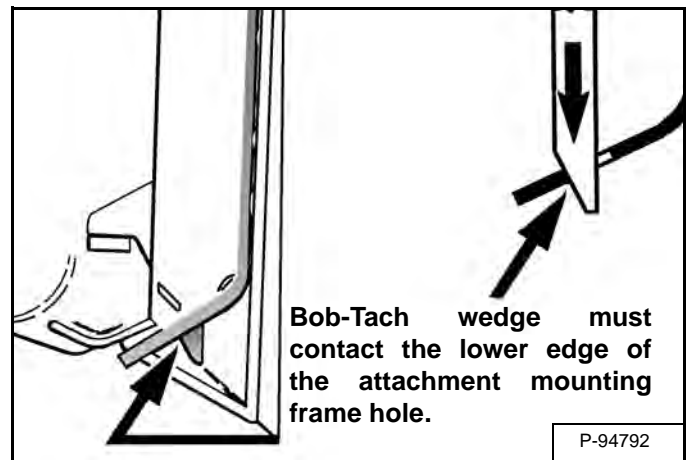


Figure 13



Push and hold the BOB-TACH “WEDGES DOWN” switch (Item 1) [Figure 11] or [Figure 12] until the levers are fully engaged in the locked position [Figure 13] (wedges fully extended through the attachment mounting frame holes).

Figure 14



The wedges must extend through the holes in the attachment mounting frame, securely fastening the attachment to the Bob-Tach [Figure 14].

NOTE: If the wedge does not contact the lower edge of the hole, the attachment will be loose and can come off the Bob-Tach.

OPERATING PROCEDURE WITH LOADERS (CONT'D)

Removal

Hand Lever Bob-Tach

Lower the lift arms and put the attachment flat on the ground. Lower or close the hydraulic equipment (if equipped).

NOTE: In muddy conditions or to prevent the attachment from freezing to the ground, put the attachment on planks or blocks before removing the attachment from the loader.

Stop the engine and release auxiliary hydraulic pressure (if applicable). (See the loader's Operation & Maintenance Manual and Operator's Handbook for correct procedure.)

Exit the loader. (See Entering And Exiting The Loader on Page 24.)



AVOID INJURY OR DEATH

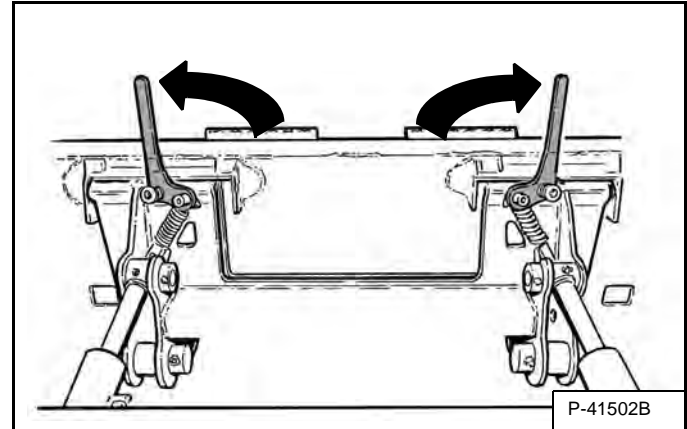
Before you leave the operator's seat:

- Lower the lift arms and put the attachment flat on the ground.
- Stop the engine.
- Engage the parking brake.
- Raise the seat bar.
- Move all controls to the **NEUTRAL / LOCKED** position to make sure the lift, tilt and traction drive functions are deactivated.

The seat bar system must deactivate these functions when the seat bar is up. See your Bobcat dealer for service if controls do not deactivate.

W-2463-1110

Figure 36



Pull the Bob-Tach levers up [Figure 36] until they are fully raised (wedges fully raised).



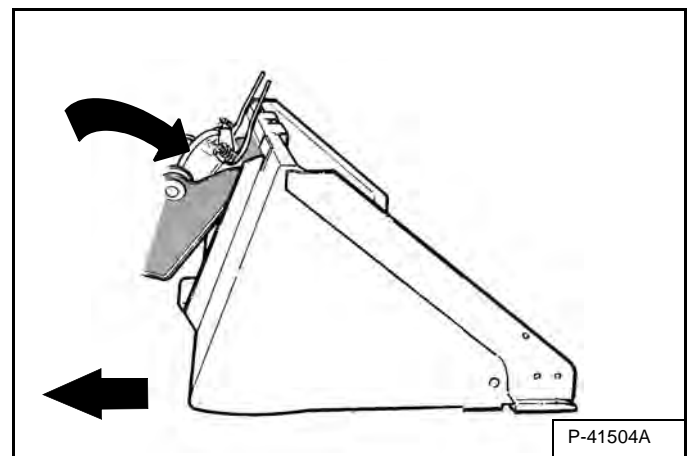
Bob-Tach levers have spring tension. Hold lever tightly and release slowly. Failure to obey warning can cause injury.

W-2054-1285

Enter the loader. (See Entering And Exiting The Loader on Page 24.)

Start the engine, press the **PRESS TO OPERATE LOADER** button and release the parking brake.

Figure 37



Tilt the Bob-Tach forward and drive the loader backward, away from the attachment [Figure 37].

OPERATING PROCEDURE WITH UTILITY WORK MACHINES

Approved Work Machine Models And Requirements

Figure 58

WORK MACHINE MODELS	SNOW PUSHER	
	MODEL 94 AND 94R	MODEL 120 AND 120R
5600	X	
5610	X	

X = Approved

The chart [Figure 58] lists the utility work machine models approved for use with the snow pusher.

The warranty is void if this attachment is used on a non-approved carrier. See your Bobcat dealer for an updated list of approved carriers.



Never use attachments or buckets which are not approved by the Bobcat Company. Attachments and buckets for safe loads of specified densities are approved for each model. Unapproved attachments and buckets can cause injury or death.

W-2662-0108

TRANSPORTING THE ATTACHMENT ON A TRAILER

Fastening

Figure 83

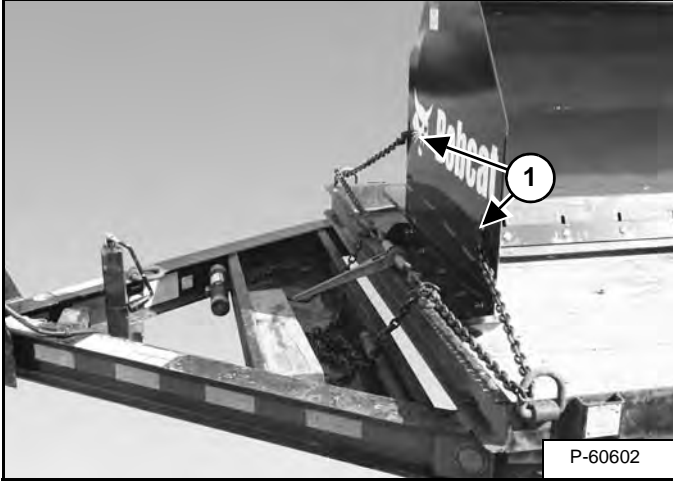
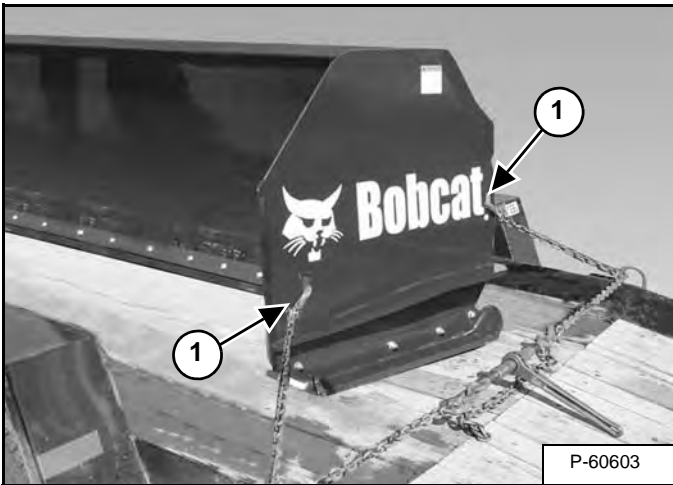


Figure 84



Fasten the chains to the snow pusher (Item 1) [Figure 83] and [Figure 84] and fasten each end of the chain to the transport vehicle.

Use chain binders to prevent the snow pusher from moving during transport.

REMOVAL AND INSTALLATION (CONT'D)

Float Cylinder Removal Procedure (94 And 120 Snow Pushers)

! WARNING

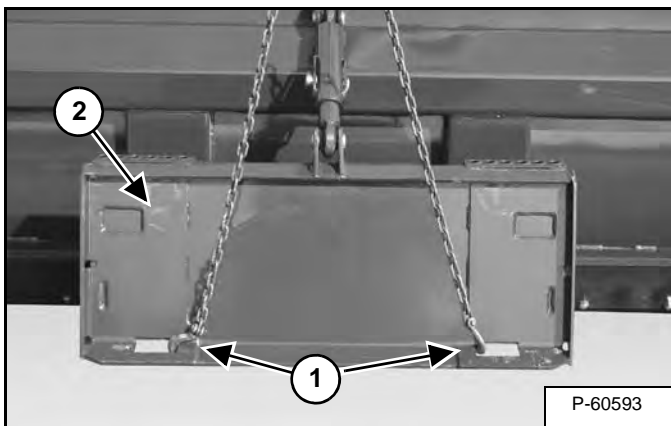
AVOID INJURY OR DEATH

Wear safety glasses to prevent eye injury when any of the following conditions exist:

- When fluids are under pressure.
- Flying debris or loose material is present.
- Engine is running.
- Tools are being used.

W-2019-0907

Figure 92

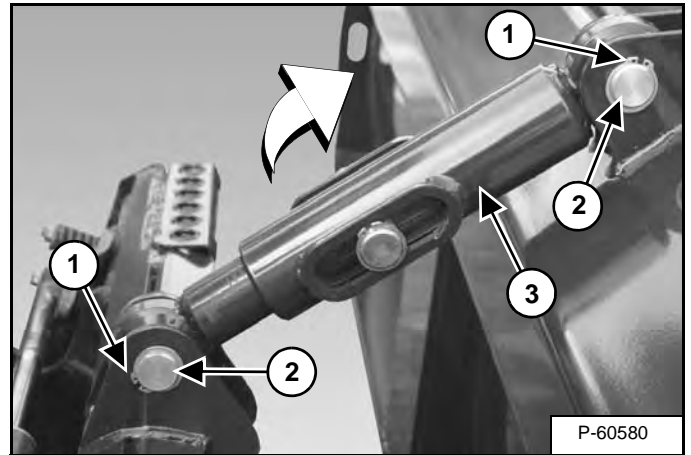


Install chains (Item 1) [Figure 92] on the snow pusher.

NOTE: Use chains that are in good condition and of adequate size to lift the attachment.

Raise lifting device until chains are tight. This will hold the mounting plate (Item 2) [Figure 92] from falling backward when the float cylinder is removed.

Figure 93



Remove snap rings (Item 1) and pivot pins (Item 2), then remove the float cylinder (Item 3) [Figure 93].

(SNOW PUSHER 94, SNOW PUSHER 94R, SNOW PUSHER 120, SNOW PUSHER 120R) SNOW PUSHER SPECIFICATIONS (CONT'D)

Performance

DESCRIPTION		SNOW PUSHER 94	SNOW PUSHER 94R	SNOW PUSHER 120	SNOW PUSHER 120R
Weight		509 kg (1122 lb)	509 kg (1122 lb)	570 kg (1256 lb)	570 kg (1256 lb)
Skid Shoes		19,1 - 127 mm (0.75 in - 5.00 in)	19,1 - 127 mm (0.75 in - 5.00 in)	19,1 - 127 mm (0.75 in - 5.00 in)	19,1 - 127 mm (0.75 in - 5.00 in)
*Rubber Cutting Edge		38,1 - 203,2 mm (1.50 in - 8.00 in)	38,1 - 203,2 mm (1.50 in - 8.00 in)	38,1 - 203,2 mm (1.50 in - 8.00 in)	38,1 - 203,2 mm (1.50 in - 8.00 in)
Float	Vertical	58,4 mm (2.30 in)	NA	58,4 mm (2.30 in)	NA
	Tilt	12°	NA	12°	NA
	Oscillation	±4.5°	NA	±4.5°	NA
* Polyurethane cutting edge is also available.					

CLICK HERE TO **DOWNLOAD** THE COMPLETE MANUAL

- Thank you very much for reading the preview of the manual.
- You can download the complete manual from: www.heydownloads.com by clicking the link below



- Please note: If there is no response to CLICKING the link, please download this PDF first and then click on it.

CLICK HERE TO **DOWNLOAD** THE COMPLETE MANUAL