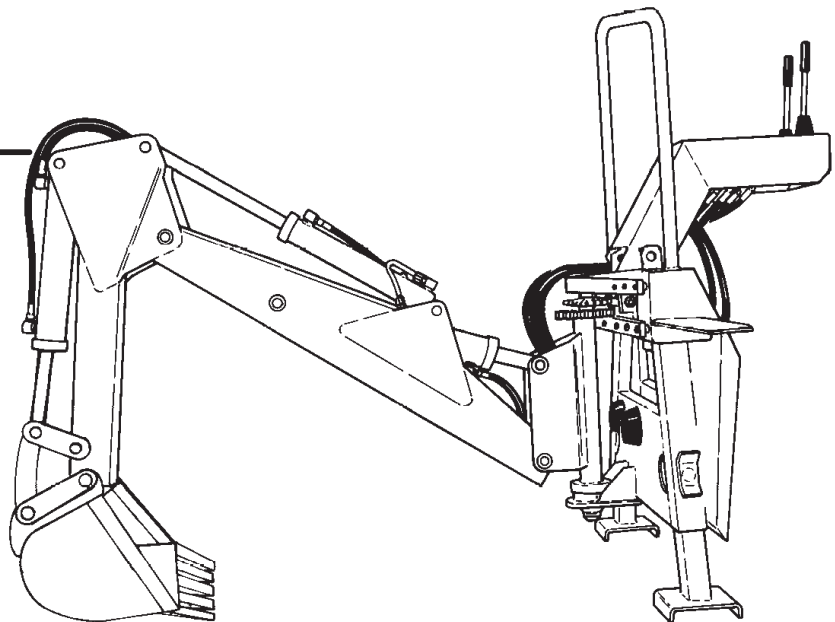




Bobcat®

**905B
BACKHOE**

Operation & Maintenance Manual



Doosan purchased Bobcat Company from Ingersoll-Rand Company in 2007. Any reference to Ingersoll-Rand Company or use of trademarks, service marks, logos, or other proprietary identifying marks belonging to Ingersoll-Rand Company in this manual is historical or nominative in nature, and is not meant to suggest a current affiliation between Ingersoll-Rand Company and Bobcat Company or the products of either.



CLICK HERE TO **DOWNLOAD** THE COMPLETE MANUAL

- Thank you very much for reading the preview of the manual.
- You can download the complete manual from: www.heydownloads.com by clicking the link below



- Please note: If there is no response to CLICKING the link, please download this PDF first and then click on it.

CLICK HERE TO **DOWNLOAD** THE COMPLETE MANUAL

SAFETY INSTRUCTIONS

SAFETY IS THE OPERATOR'S RESPONSIBILITY

	Safety Alert Symbol
<p>This symbol with a warning statement means: "Warning, be alert! Your safety is involved!" Carefully read the message that follows.</p>	

The Bobcat product and attachment are designed to give maximum safety; but no machine design can prevent operator error or carelessness.

The Bobcat product and attachment must be in good operating condition before use.

Check all of the items on the Bobcat Service Schedule Decal under the 8–10 hour column or as shown in the Operation & Maintenance Manual.

SAFE OPERATION NEEDS A QUALIFIED OPERATOR *

A QUALIFIED OPERATOR MUST DO THE FOLLOWING:

- **UNDERSTAND THE WRITTEN INSTRUCTIONS, RULES AND REGULATIONS**

- The written instructions from Bobcat Company include the Delivery Report, Operation & Maintenance Manual, Operator's Handbook, Safety Manual and machine signs (decals).
- Check the rules and regulations at your location. The rules may include an employer's work safety requirements. Regulations may apply to local driving requirements or use of a Slow Moving Vehicle (SMV) emblem. Regulations may identify a hazard such as a utility line.

- **HAVE TRAINING WITH ACTUAL OPERATION**

- Operator training must consist of a demonstration and verbal instruction. This training is given by your Bobcat dealer before the product is delivered.
- The new operator must start in an area without bystanders and use all the controls until he can operate the machine and attachment safely under all conditions of the work area. Always fasten seat belt before operating.
- Operator Training Courses are available from your Bobcat dealer in English and Spanish. They provide information for safe and efficient equipment operation. Safety videos are also available.
- Service Safety Training Courses are available from your Bobcat dealer. They provide information for safe and correct service procedures.

- **KNOW THE WORK CONDITIONS**

- Know the weight of the materials being handled. Avoid exceeding the Rated Operating Capacity of the machine. Material which is very dense will be heavier than the same volume of less dense material. Reduce the size of load if handling dense material.
- The operator must know any prohibited uses or work areas, for example, he needs to know about excessive slopes.
- Know the location of any underground lines. Call local utilities or the 800 FREE phone number found in the SAFETY INSTRUCTIONS Section of this manual.
- Wear tight fitting clothing. Always wear safety glasses when doing maintenance or service. Safety glasses, hearing protection or special applications kit are required for some work. See your dealer about Bobcat Safety equipment.

* For an operator to be qualified, he must not use drugs or alcoholic drinks which impair his alertness or coordination while working. An operator who is taking prescription drugs must get medical advice to determine if he can safely operate a machine.

 WARNING
<p>Operator must have instructions before running the machine. Untrained operators can cause injury or death.</p> <p style="text-align: right;">W-2001-1285</p>

IMPORTANT
<p>This notice identifies procedures which must be followed to avoid damage to the machine.</p> <p style="text-align: right;">I-2019-0284</p>

 WARNING
<p>Warnings on the machine and in the manuals are for your safety. Failure to obey warnings can cause injury or death.</p> <p style="text-align: right;">W-2044-1285</p>

INSTALLING THE BACKHOE ON THE LOADER (Cont'd)

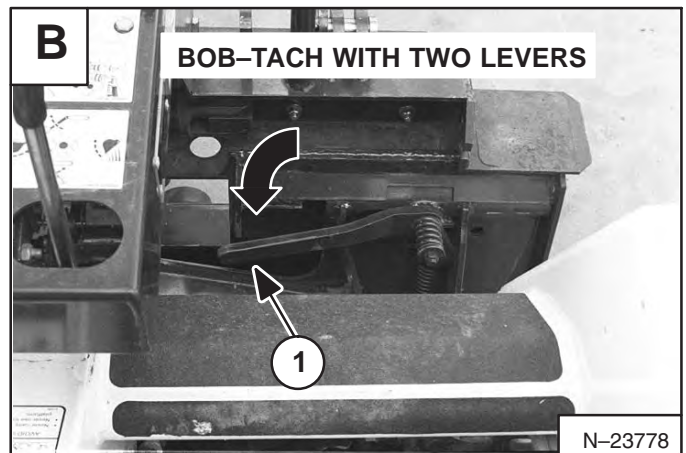
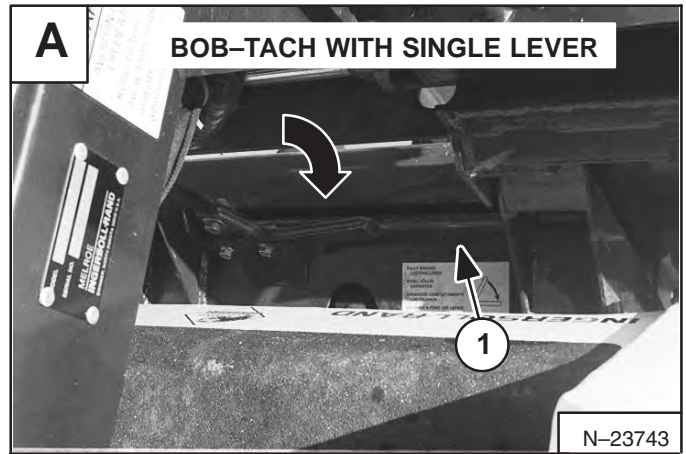
Installing The Backhoe On The Loader (Cont'd)

Stop the engine.

Relieve the auxiliary hydraulic pressure. (See page 4.)

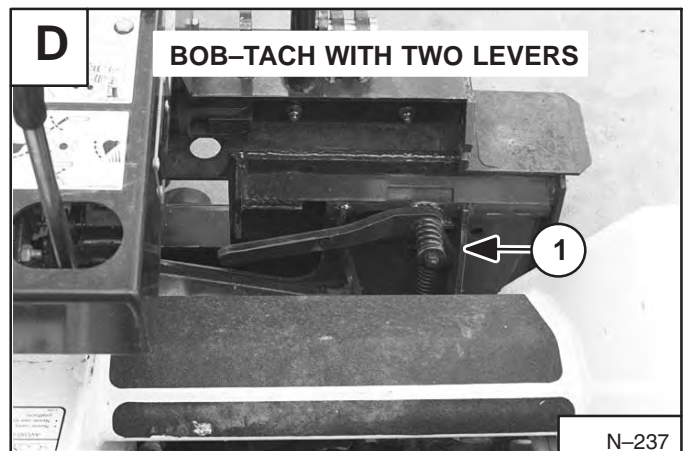
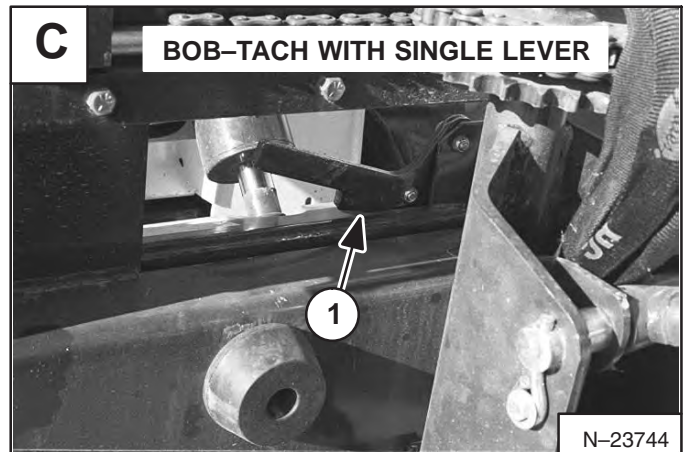
Raise the seat bar, unfasten the seat belt and exit the loader.

Push down on the Bob-Tach lever(s) (Item 1) [A] or [B] until they are fully engaged in the locked position.



The levers will contact the frame (Item 1) [C] or [D] when locked.

If the lever(s) do not engage in the locked position, see your Bobcat dealer for maintenance.



BACKHOE CONTROLS

Operating Control Levers

Learn the function of the control levers before you start the engine to begin operation [A].

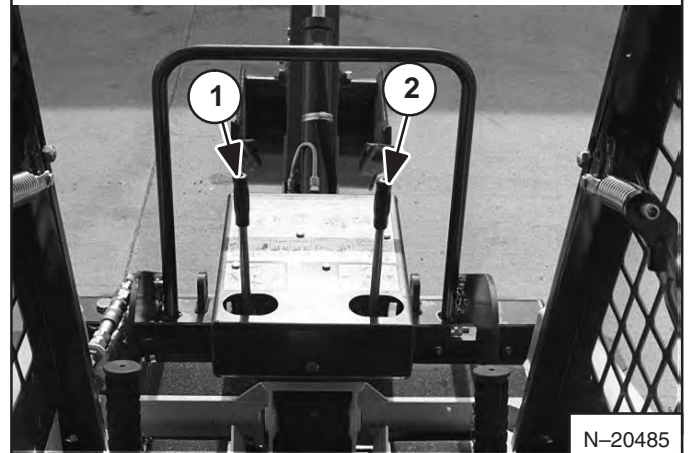
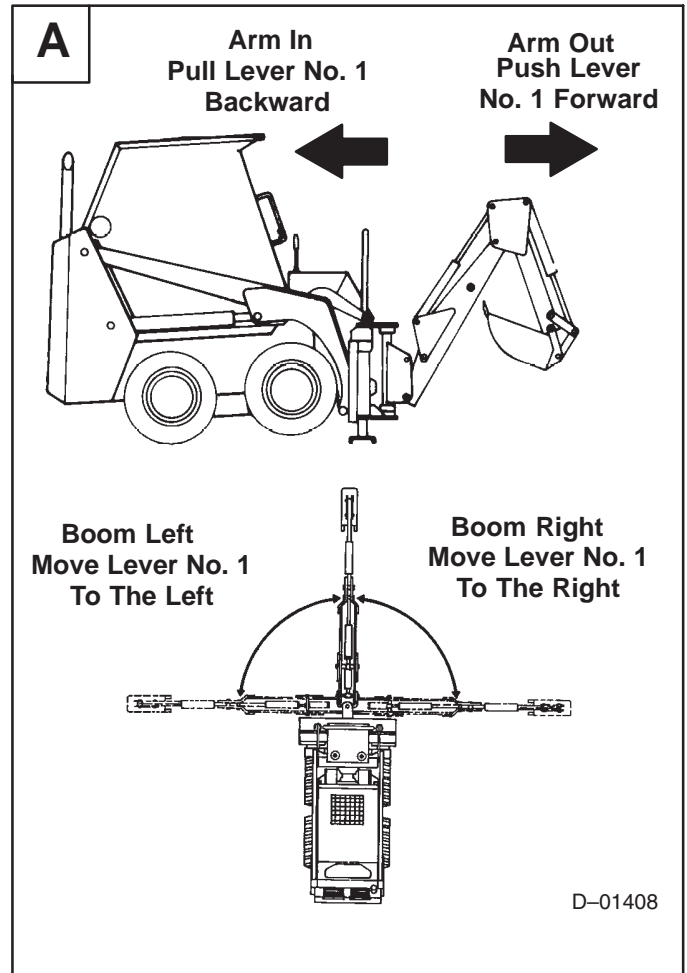
LEVER NO. 1 [A] – Arm and Swing

To move the arm out, push the lever forward.

To move the arm in, pull the lever backward.

To swing the boom to the left, move the lever to the left.

To swing the boom to the right, move the lever to the right.



TRANSPORTING THE LOADER/BACKHOE

Loading The Loader/Backhoe Onto The Transport Vehicle

Raise the stabilizers fully so they do not contact the transport vehicle loading ramps. (See Page 19.)

Drive the loader onto the transport vehicle in a forward direction (Backhoe first) [A].

Engage the parking brake. Raise the seat bar and release the seat belt.

Exit the loader.



WARNING

Before you leave the operator's seat:

- Lower the lift arms, put the attachment flat on the ground.
- Stop the engine.
- Engage the parking brake.
- Raise seat bar.
- *(Foot Pedal Controls)* Move pedals until both lock.
- *(Mechanical Hand Controls)* Move the hand controls until both lock. The seat bar system must lock the lift and tilt controls in neutral when the seat bar is up. Service the system if hand controls do not lock correctly.
- *(Advanced Hand Controls)* Move the hand controls to the NEUTRAL POSITION to make sure that both lift and tilt functions are deactivated. The seat bar system must deactivate the lift and tilt control functions when the seat bar is up. Service the system if hand controls do not deactivate.

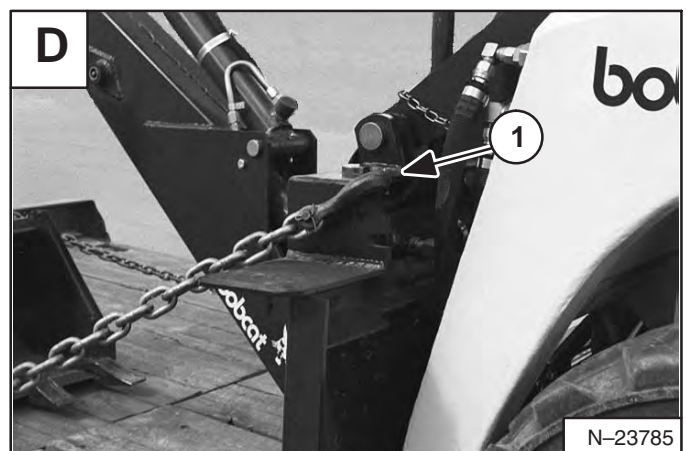
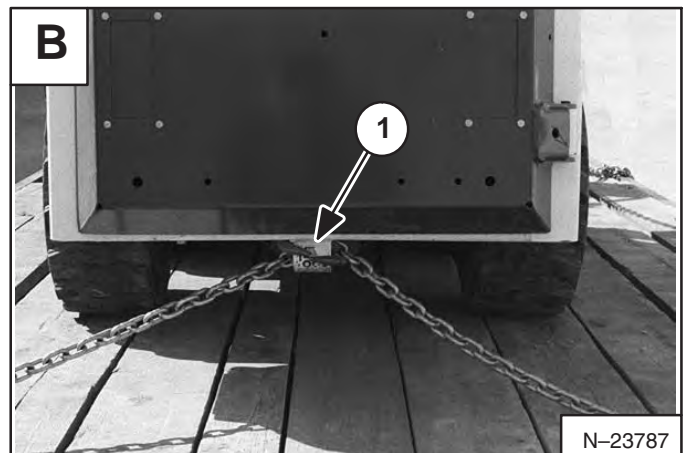
W-2323-0698

Install tie down chains and binders to prevent the loader/backhoe from moving during sudden stops or when going up or down slopes.

Install chains to the rear tie down on the loader (Item [B]).

Fasten chains to the backhoe plate (Item 1) [C] & [D] and then outward to the trailer tie downs

NOTE: DO NOT install chains on the stabilizers.



SPECIFICATIONS

ADDITIONAL PUBLICATIONS	45 .
BUCKET SPECIFICATIONS	39 .
440 SERIES & 453 LOADER/BACKHOE SPECIFICATIONS	40
Hydraulic Specifications	41 .
Loader/Backhoe Dimensions	40 .
Operational	41 . . .
Transport	41 . . .
Weight	41 . . .
540 SERIES & 553 LOADER/BACKHOE SPECIFICATIONS	42
Hydraulic Specifications	43 .
Loader/Backhoe Dimensions	42 .
Operational	43 . . .
Transport	43 . . .
Weight	43 . . .
HYDRAULIC SCHEMATICS	44 .

SPECIFICATIONS

CLICK HERE TO **DOWNLOAD** THE COMPLETE MANUAL

- Thank you very much for reading the preview of the manual.
- You can download the complete manual from: www.heydownloads.com by clicking the link below



- Please note: If there is no response to CLICKING the link, please download this PDF first and then click on it.

CLICK HERE TO **DOWNLOAD** THE COMPLETE MANUAL