



# Bobcat®

## Operation & Maintenance Manual



### Sweeper

(Sweeper 84) S/N A00A00101 & Above



CLICK HERE TO **DOWNLOAD** THE COMPLETE MANUAL

- Thank you very much for reading the preview of the manual.
- You can download the complete manual from: [www.heydownloads.com](http://www.heydownloads.com) by clicking the link below



- Please note: If there is no response to CLICKING the link, please download this PDF first and then click on it.

CLICK HERE TO **DOWNLOAD** THE COMPLETE MANUAL

## **FEATURES AND ACCESORIES**

### **Standard Items**

The sweeper is equipped with the following Standard Items:

- Reversible Cutting Edge Helps Cut Through Caked-on Mud.
- Polypropylene Bristles Deposit Dirt And Other Debris In The Bucket, Which Can Be Dumped When Full.

### **Options And Accessories**

Below is a list of Options and Accessories available for your sweeper. See your Bobcat dealer for other available options and accessories.

- Gutter Brush
- Wheel Kit
- Quick-Tach Water Kit
- Spray Nozzle Kit

**ATTACHMENT SIGNS (DECALS) (CONT'D)**

**Gutter Brush And Wheel Kit (Optional)**



7122382



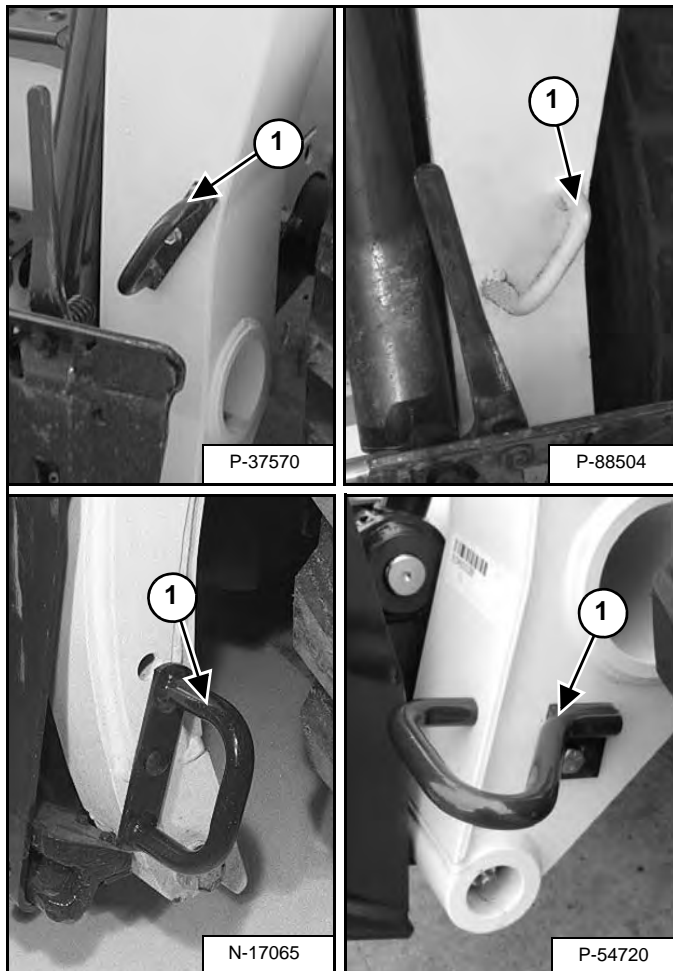
P-60864

## OPERATING PROCEDURE WITH LOADERS (CONT'D)

### Machine / Attachment Setup (Cont'd)

#### Hose Guide Installation (Earlier Version)

Figure 21

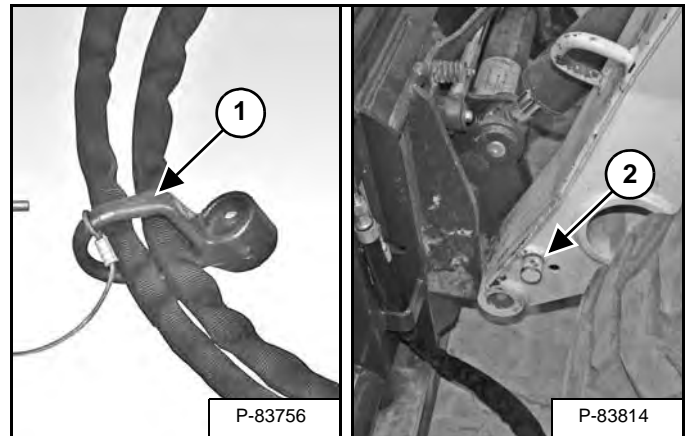


Install the correct hose guide (Item 1) [Figure 21] on the loader.

**NOTE:** Hose guide styles vary between loader models. Hose guides are not included with the attachment. See your Bobcat dealer for available hose guide kits.

#### Hose Guide Installation (Removable - If Equipped)

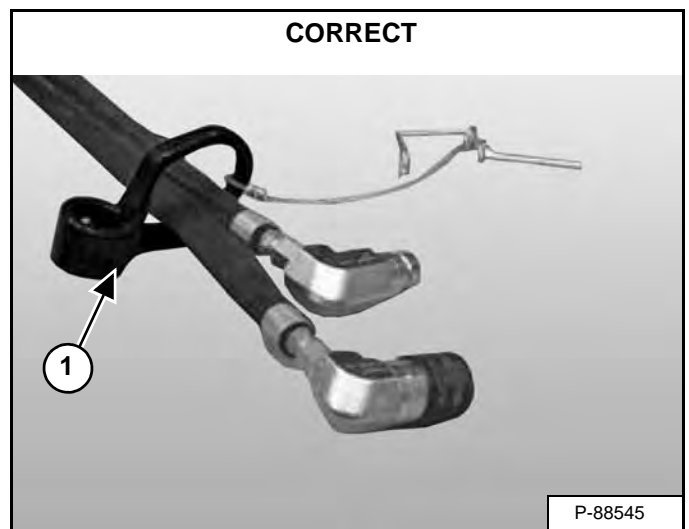
Figure 22



**NOTE:** Some attachments are factory equipped with a removable hose guide (Item 1) installed on the hydraulic hoses. The removable hose guide is factory installed for use with Bobcat loaders equipped with a mounting post (Item 2) [Figure 22]. Removable hose guide and mounting post kits are available through your Bobcat dealer.

Installation of removable hose guide is done during hose routing. (See Hose Routing (Removable - If Equipped) on Page 38.)

Figure 23



Shown is the removable hose guide (Item 1) [Figure 23] correct orientation for a loader.

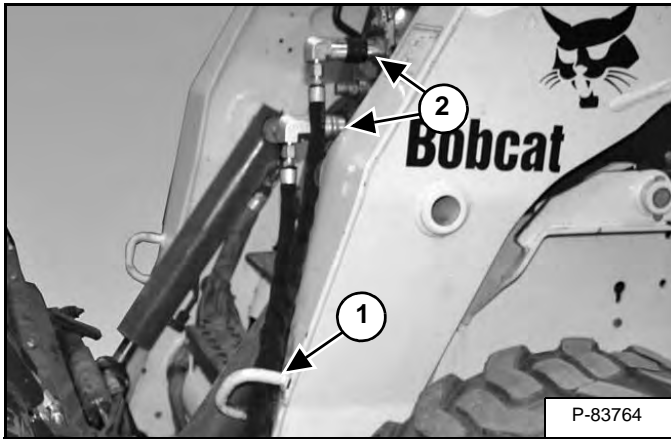
**NOTE:** The removable hose guide orientation may need to be changed for correct installation onto the machine.

## OPERATING PROCEDURE WITH LOADERS (CONT'D)

### Installation (Cont'd)

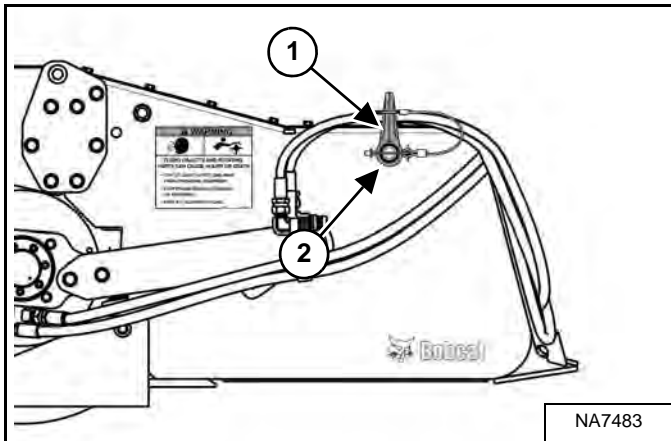
#### Hose Routing (Removable - If Equipped) (Cont'd)

Figure 47



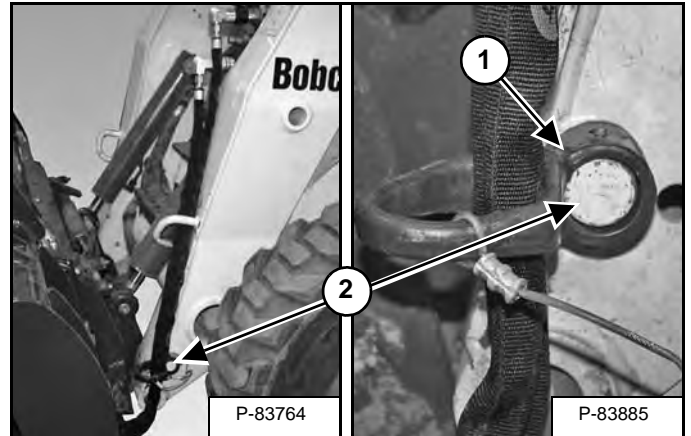
If your loader has an earlier version hose guide, route the attachment hydraulic hoses through the hose guide (Item 1). Connect the quick couplers to the loader (Item 2) [Figure 47]. (See Hydraulic Quick Couplers on Page 41.)

Figure 48



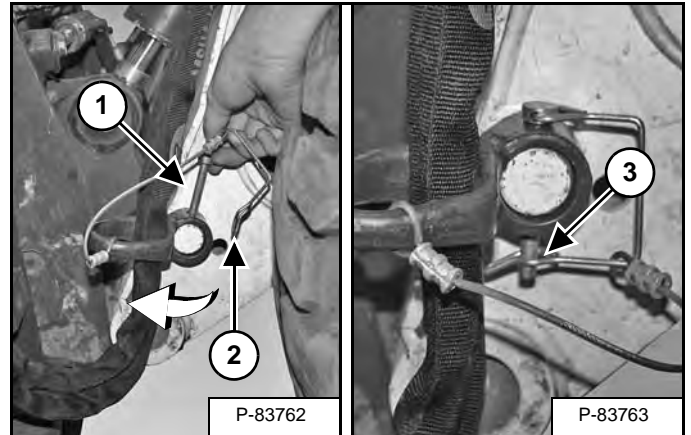
Remove the removable hose guide (Item 1) from the storage post (Item 2) [Figure 48] (if equipped).

Figure 49



Install the removable hose guide (Item 1) onto the mounting post (Item 2) [Figure 49] located on the side of the loader lift arm.

Figure 50



Insert lock pin (Item 1) through the removable hose guide and mounting post and latch eyelet (Item 2) onto the lock pin (Item 3) [Figure 50].

## OPERATING PROCEDURE WITH LOADERS (CONT'D)

### Removal (Cont'd)

#### Power Bob-Tach

Lower the lift arms and put the attachment flat on the ground. Lower or close the hydraulic equipment (if equipped).

**NOTE: In muddy conditions or to prevent the attachment from freezing to the ground, put the attachment on planks or blocks before removing the attachment from the loader.**

Stop the engine and release auxiliary hydraulic pressure (if applicable). (See the loader's Operation & Maintenance Manual and Operator's Handbook for correct procedure.)

Exit the loader. (See Entering And Exiting The Loader on Page 31.)

## **WARNING**

### AVOID INJURY OR DEATH

Before you leave the operator's seat:

- Lower the lift arms and put the attachment flat on the ground.
- Stop the engine.
- Engage the parking brake.
- Raise the seat bar.
- Move all controls to the **NEUTRAL / LOCKED** position to make sure the lift, tilt and traction drive functions are deactivated.

The seat bar system must deactivate these functions when the seat bar is up. See your Bobcat dealer for service if controls do not deactivate.

W-2463-1110

Disconnect auxiliary hydraulic hoses. (See Hydraulic Quick Couplers on Page 41.)

Enter the loader. (See Entering And Exiting The Loader on Page 31.)

Start the engine, press the **PRESS TO OPERATE LOADER** button and release the parking brake.

Figure 66

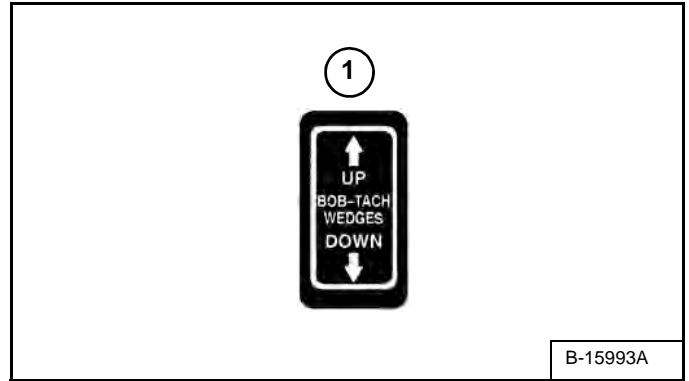
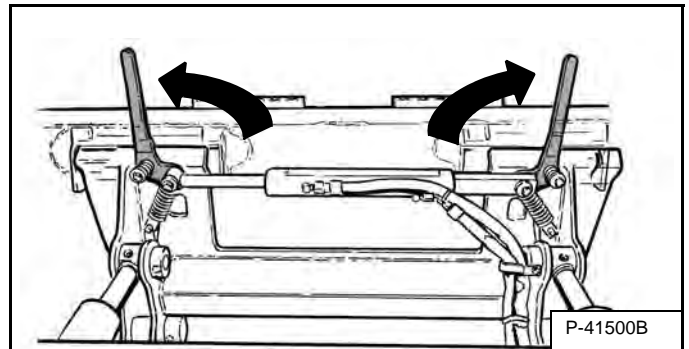
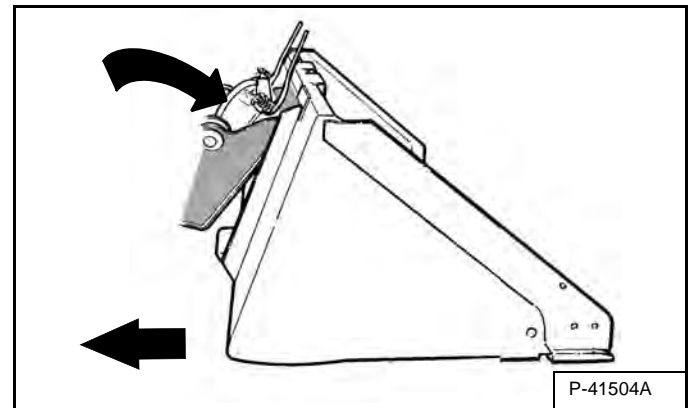


Figure 67



Push and hold the Bob-Tach “WEDGES UP” switch (Item 1) [Figure 66] (Front Panel) until the levers [Figure 67] are fully raised (wedges fully raised).

Figure 68



Tilt the Bob-Tach forward and drive the loader backward, away from the attachment [Figure 68].

**NOTE: The Power Bob-Tach system has continuous pressurized hydraulic oil to keep the wedges in the engaged position and prevent attachment disengagement. Because the wedges can slowly lower, the operator may need to reactivate the switch (Bob-Tach “WEDGES UP”) when removing an attachment to be sure both wedges are fully raised.**

## OPERATING PROCEDURE WITH VERSAHANDLERS (CONT'D)

### Control Functions

#### V417 Control Lever

# IMPORTANT

**When using ground engaging attachments, boom extension must not exceed 250 mm (9.8 in). Exceeding this limit can cause boom and / or hydraulic cylinder damage.**

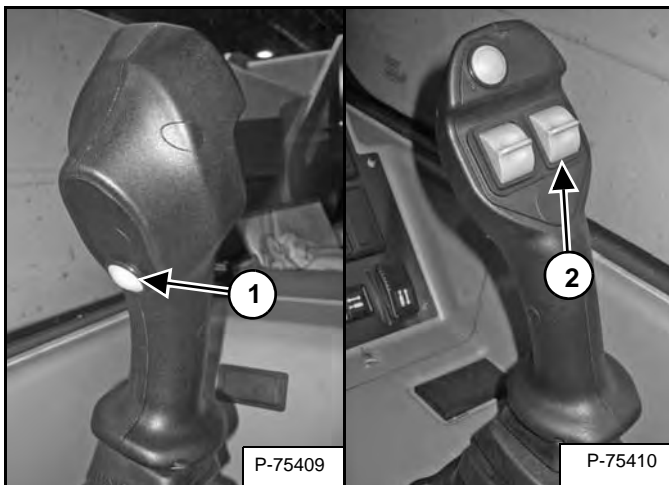
I-2266-0910

Move to the operator position, fasten seat belt and lower the restraint bar (*if equipped*), start the engine and disengage the parking brake.

Engage the auxiliary hydraulics. (See the VersaHANDLER's Operation & Maintenance Manual and Operator's Handbook for correct procedure.)

**NOTE: The auxiliary hydraulics must be activated prior to attachment operation.**

Figure 89



#### V417 Forward Travel

Press the button (Item 1) [Figure 89] to engage the auxiliary hydraulics to rotate the broom counterclockwise. Move the VersaHANDLER forward and the broom will sweep debris into the bucket.

Press the button (Item 1) [Figure 89] a second time to stop broom rotation.

**NOTE: If the debris is packed (or stuck) on the surface and the broom will not sweep it up, reverse broom rotation and travel.**

#### V417 Reverse Travel

To rotate the broom clockwise, push and hold the switch (Item 2) down, then press the button (Item 1) [Figure 89]. Release the switches. The sweeper will maintain continuous rotation.

Lower the cutting edge to the surface and move the VersaHANDLER backward. The attachment cutting edge will scrape the surface while the broom sweeps the debris into the bucket.

Press the button (Item 1) [Figure 89] a second time to stop broom rotation.

## TRANSPORTING THE ATTACHMENT ON A TRAILER

### Loading And Fastening

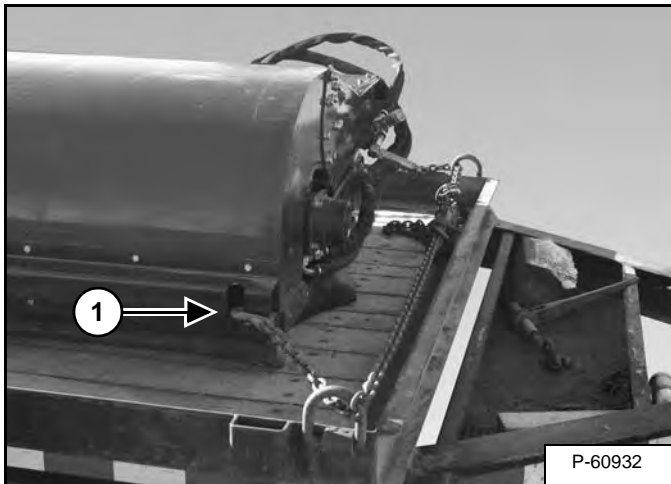
**NOTE:** Use chains that are in good condition and of adequate size to lift the attachment.

Install the chains at the front and rear tie down positions on the machine. (See the machine's Operation & Maintenance Manual to properly chain the machine to the transport vehicle.)

- Install chains on the attachment (if needed).
- Fasten each end of the chain to the transport vehicle.

**NOTE:** Use chain binders to prevent the attachment and machine from moving during transport.

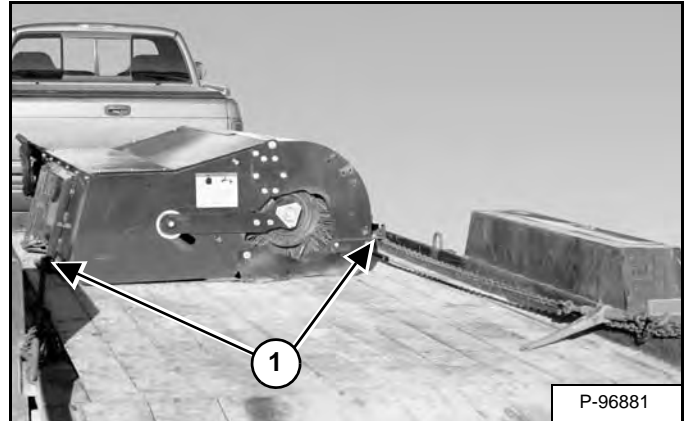
**Figure 104**



**Figure 105**



**Figure 106**

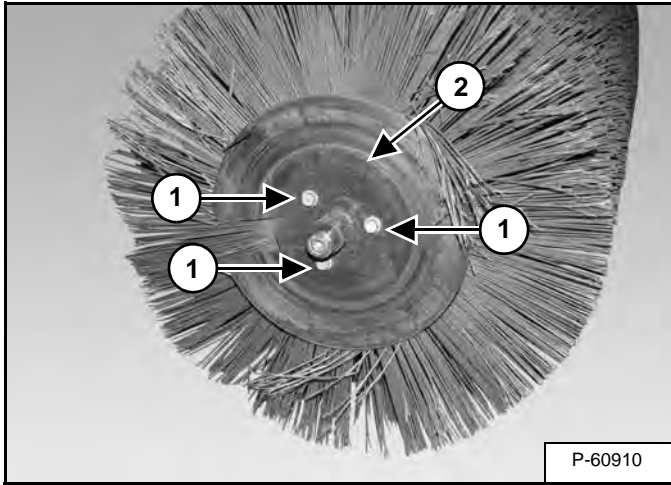


Fasten the chains to the sweeper (Item 1) [Figure 104], [Figure 105] and [Figure 106] and fasten each end of the chain to the transport vehicle.

REMOVAL AND INSTALLATION (CONT'D)

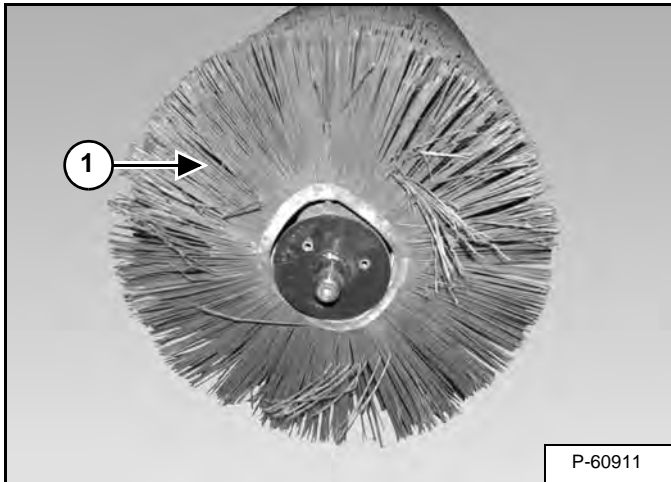
Bristle (Cont'd)

Figure 119



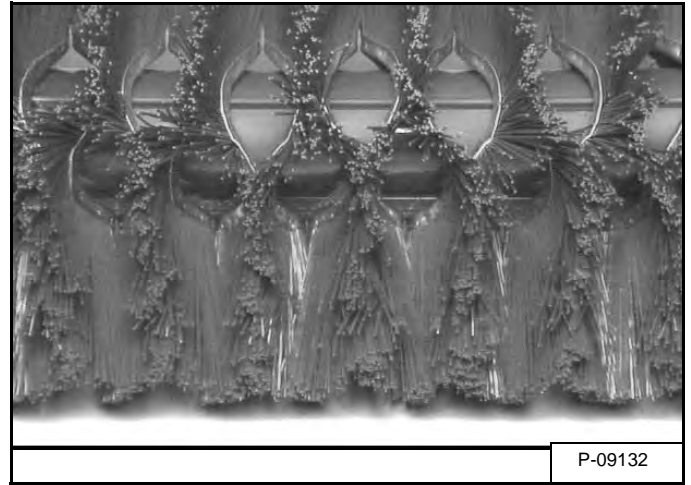
Remove the three bolts (Item 1) and end plate (Item 2) [Figure 119].

Figure 120



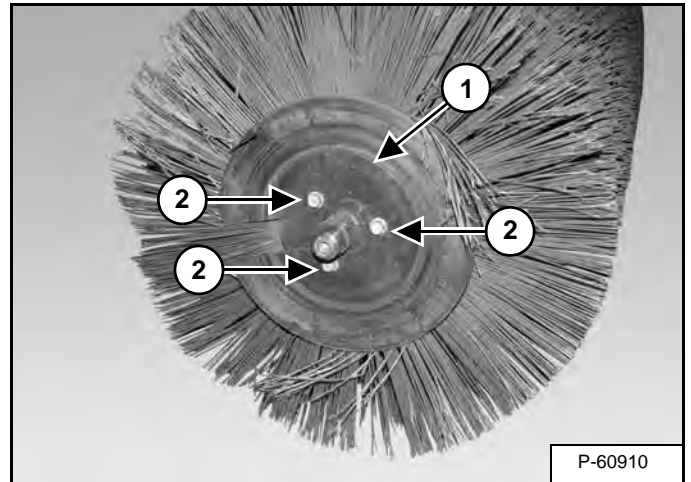
Remove the bristles (Item 1) [Figure 120].

Figure 121



Install the bristles to form a pattern as shown [Figure 121].

Figure 122

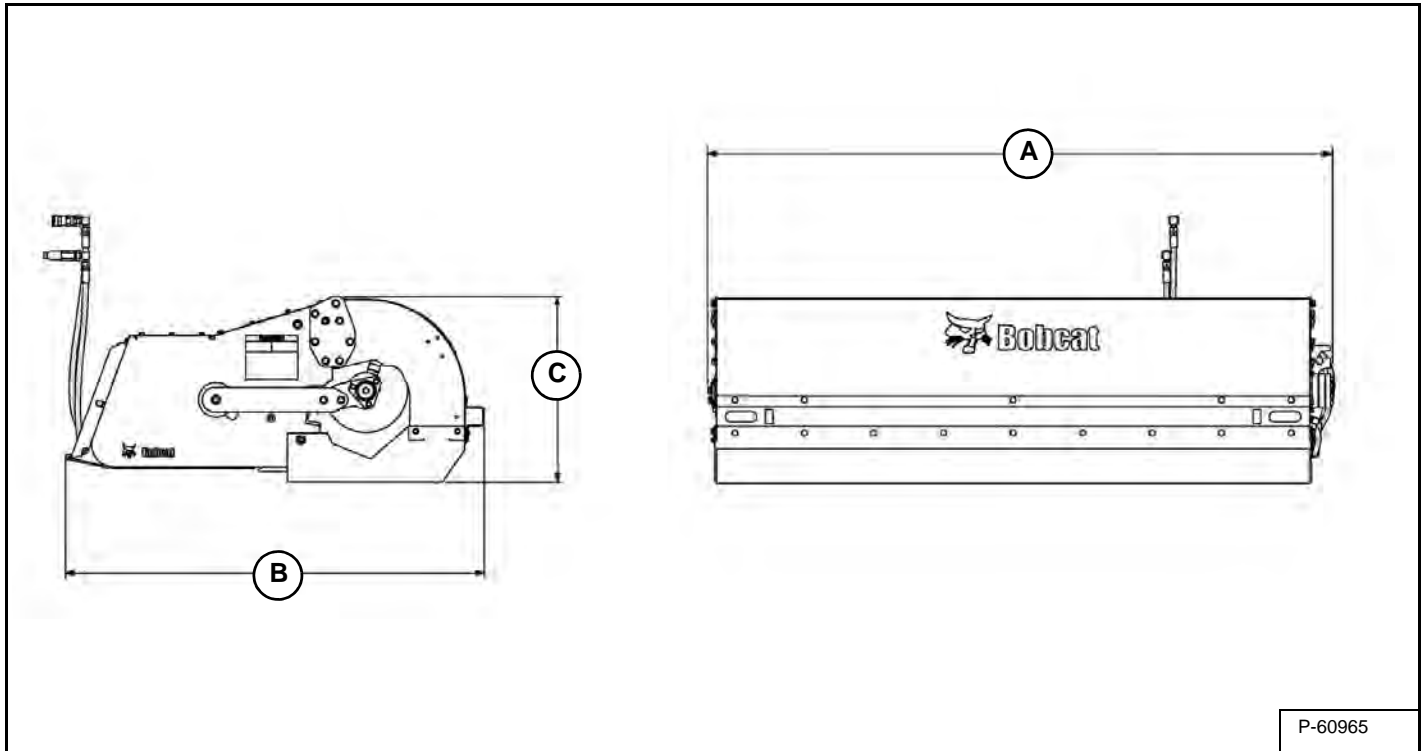


Install the end plate (Item 1) and the three bolts (Item 2) [Figure 122].

## (SWEEPER 84) SWEEPER SPECIFICATIONS

### Dimensions

- Where applicable, specifications conform to **SAE and ISO** standards and are subject to change without notice.



DESCRIPTION	SWEEPER 84
Overall Width (A)	2284 mm (89.92 in)
Overall Length (B)	1561 mm (61.44 in)
Overall Height (C)	676 mm (26.63 in)

### Performance

DESCRIPTION	SWEEPER 84
Weight	467 kg (1029 lb)
Maximum Hydraulic Flow	90,9 L/min (24 U.S. gpm)
Swept Capacity	0,33 m <sup>3</sup> (11.8 ft <sup>3</sup> )
Heaped Capacity	0,52 m <sup>3</sup> (18.5 ft <sup>3</sup> )
Broom Diameter	610 mm (24 in)
Broom RPM @ 57 L/min (15 U.S. gpm)	215 rpm
Number Of Bristle Sections	42

CLICK HERE TO **DOWNLOAD** THE COMPLETE MANUAL

- Thank you very much for reading the preview of the manual.
- You can download the complete manual from: [www.heydownloads.com](http://www.heydownloads.com) by clicking the link below



- Please note: If there is no response to CLICKING the link, please download this PDF first and then click on it.

CLICK HERE TO **DOWNLOAD** THE COMPLETE MANUAL