

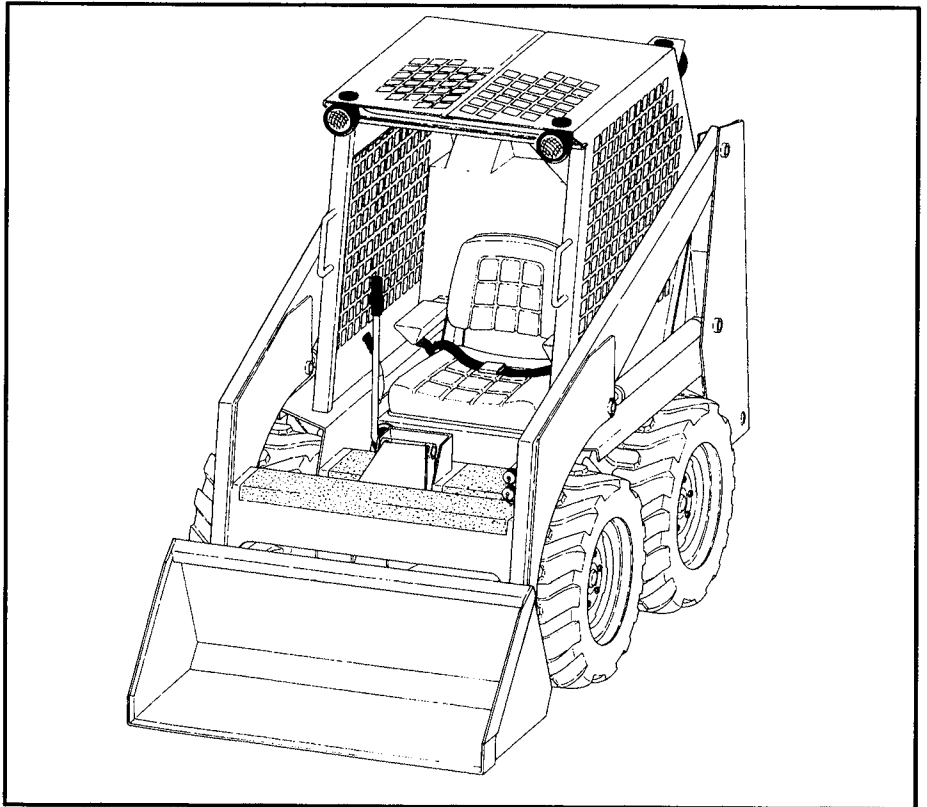
6

3

0



Operation & Maintenance Manual



**MELROE
INGERSOLL-RAND**

6556176 (4-78) Revised (9-96)

Printed in U.S.A.



© Melroe Company 1996

CLICK HERE TO **DOWNLOAD** THE COMPLETE MANUAL

- Thank you very much for reading the preview of the manual.
- You can download the complete manual from: www.heydownloads.com by clicking the link below



- Please note: If there is no response to CLICKING the link, please download this PDF first and then click on it.

CLICK HERE TO **DOWNLOAD** THE COMPLETE MANUAL

PARKING BRAKE

The parking brake (Fig. 10) is engaged by firmly pressing toe of pedal into locked position. To release, press heel of pedal.

Set the parking brake whenever the machine is stopped and before starting the engine.

Always release the parking brake before operating the loader.

HYDRAULIC CONTROLS

The two foot pedals control the lift arm and tilt hydraulic cylinders (Fig. 11).

Lift Arm Control: The left pedal controls the lift arms. Press the heel of the pedal to raise the lift arms and press the toe to lower them.

Pressing firmly on the toe of the pedal puts the lift arms in a "Float" position which will permit them to follow rough ground when spreading material.

Tilt Control: The right pedal controls the tilting action of the Bob-Tach, for attachments: (Bucket, Fork, etc.) press the toe of the pedal to tilt the Bob-Tach forward. Press the heel to tilt the Bob-Tach backward.

Auxiliary Control: The right hand steering lever is also the auxiliary hydraulic control (Fig. 12). To activate the auxiliary hydraulic system move the lever to the left or the right. Moving the lever in one direction will activate an attachment one way. *(Example: open grapple teeth). Moving the lever in the other direction reverses the action of the attachment. By moving lever firmly to the right puts the auxiliary valve in "detent", holding valve in engaged position for use of attachments which require continuous hydraulic flow.

Leaving this lever in detent position will cause difficult starting.

NOTE: Be sure lockbolt for shipping has been removed before using Auxiliary Control (See Page 20).

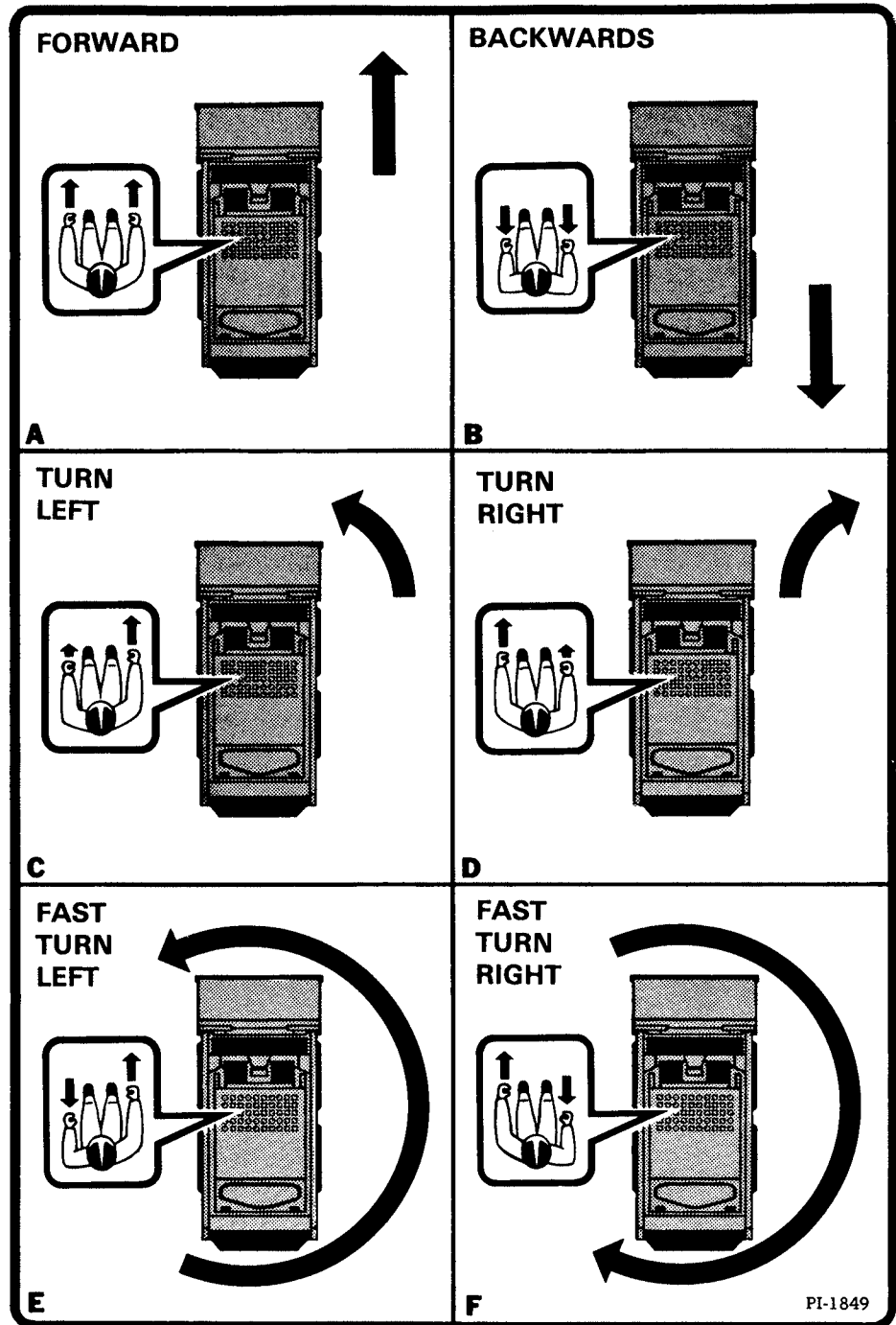


Fig. 9 Operator's Steering Procedures

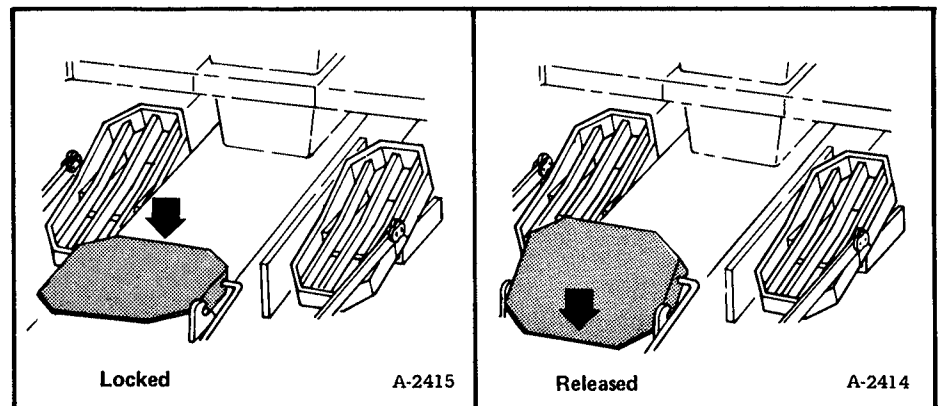


Fig. 10 Parking Brake Operator

FUEL FILTER

An inline fuel filter is located next to the fuel line shut-off valve (Fig. 26). To check or replace filter element:

1. Close fuel line shut-off valve (1).
2. Unscrew nut and remove tubeline (2).

Unscrew the element from the shut-off valve.

Check by blowing through element in direction of arrow.

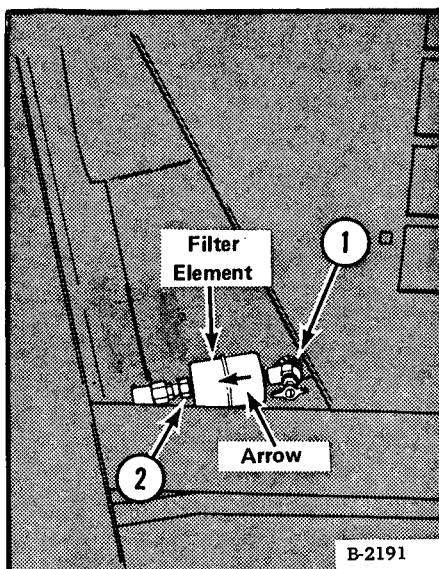


Fig. 26 Fuel Filter and Valve

When installing a new element be sure that arrow is pointing in direction of carburetor.

3. After installing element, connect tubeline and tighten nut securely, open fuel shut-off valve and inspect for leaks.

ENGINE LUBRICATION SYSTEM

Check the oil level daily.

To check oil level, stop engine and remove dipstick located at left side of engine (Fig. 27).

Oil level must be kept between the "Min" and "Max" marks on the dipstick. Do not overfill - - - oil level must not exceed the "Max" mark. Use good quality motor oil which meets recommended API Service Classification (See Chart).

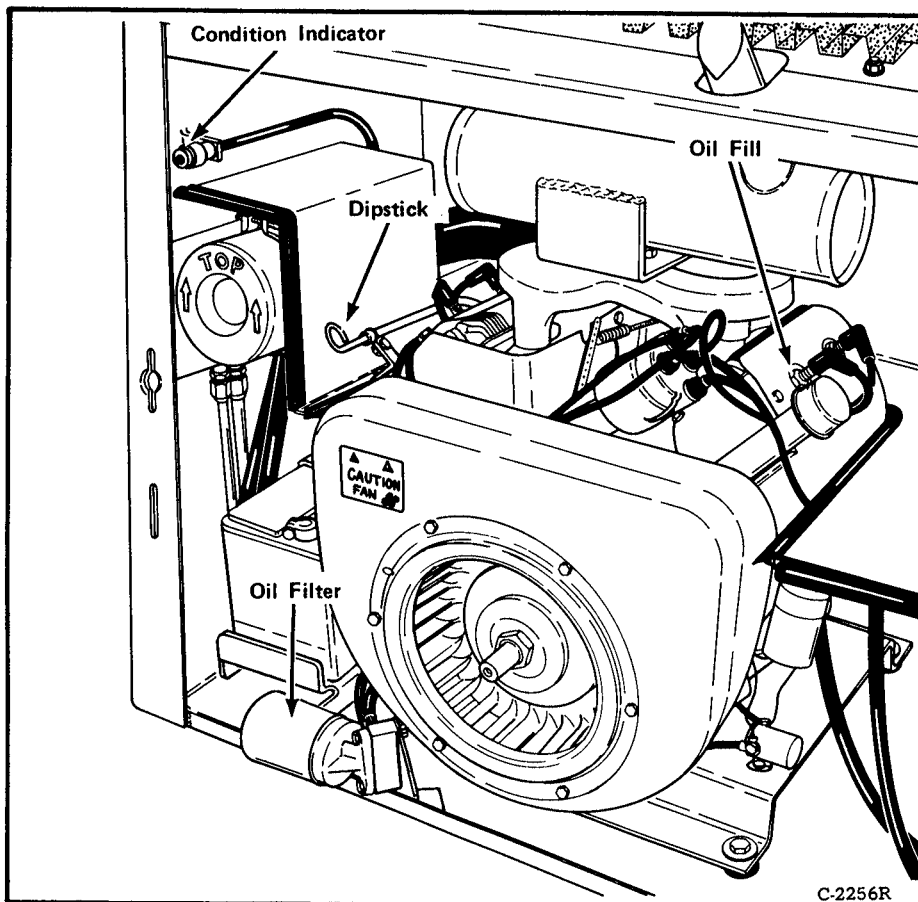
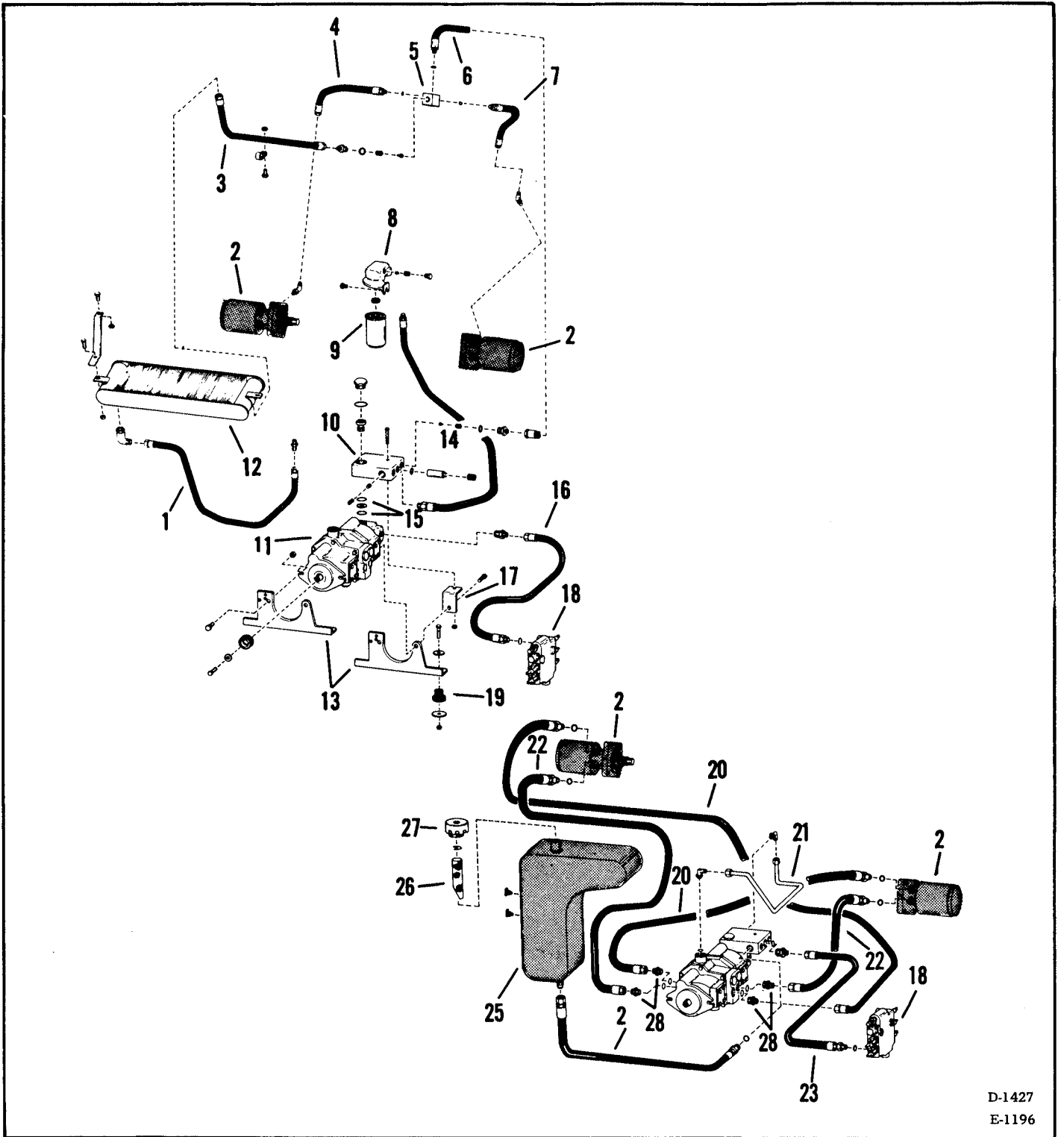


Fig. 27 Engine Servicing



D-1427
E-1196

HYDROSTATIC SYSTEM

Ref.	Item	Ref.	Item	Ref.	Item	Ref.	Item
1.	Tube	8.	Head	15.	O-rings	22.	Hose
2.	Motor	9.	Filter	16.	Hose	23.	Hose
3.	Hose	10.	Block	17.	Bracket	24.	Hose
4.	Tube	11.	Pumps	18.	Valve	25.	Tank
5.	Block	12.	Oil Cooler	19.	Mount	26.	Screen
6.	Hose	13.	Mounts	20.	Hose	27.	Cap
7.	Hose	14.	Filter	21.	Tube	28.	Adapter

CLICK HERE TO **DOWNLOAD** THE COMPLETE MANUAL

- Thank you very much for reading the preview of the manual.
- You can download the complete manual from: www.heydownloads.com by clicking the link below



- Please note: If there is no response to CLICKING the link, please download this PDF first and then click on it.

CLICK HERE TO **DOWNLOAD** THE COMPLETE MANUAL