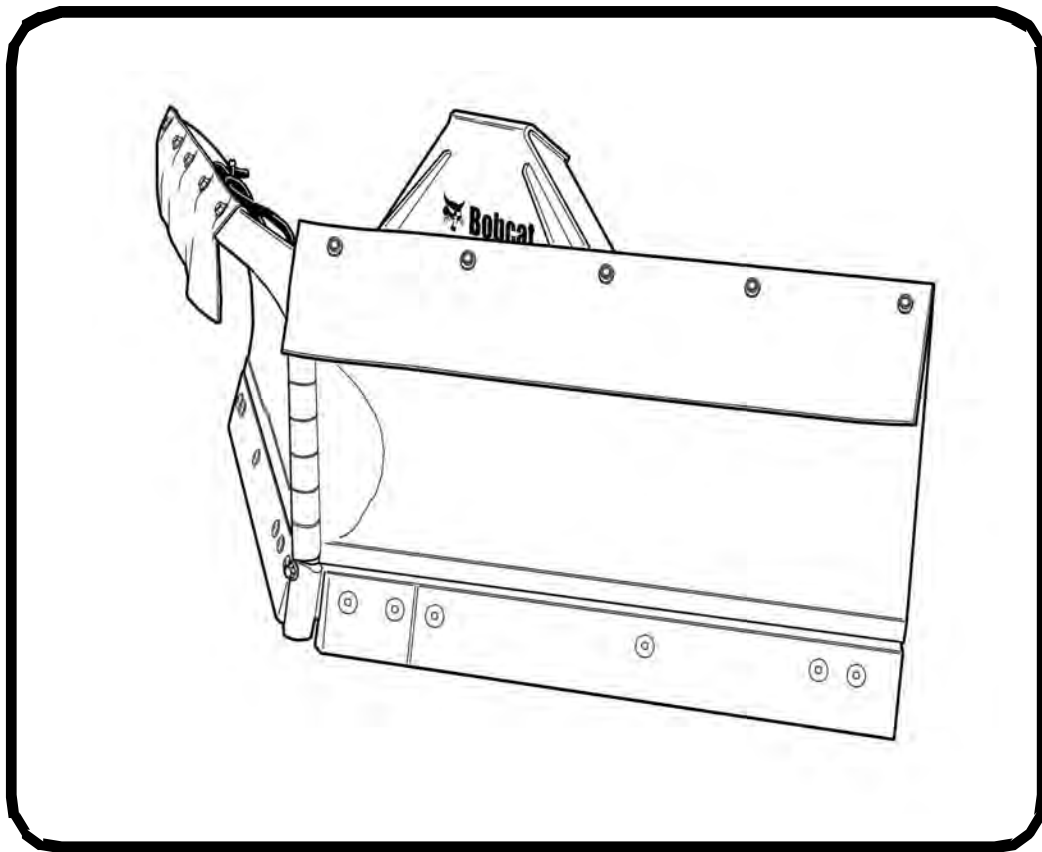




Bobcat®

Operation & Maintenance Manual V-Blade

(V-Blade 60) S/N B48C110001 & Above



CLICK HERE TO **DOWNLOAD** THE COMPLETE MANUAL

- Thank you very much for reading the preview of the manual.
- You can download the complete manual from: www.heydownloads.com by clicking the link below



- Please note: If there is no response to CLICKING the link, please download this PDF first and then click on it.

CLICK HERE TO **DOWNLOAD** THE COMPLETE MANUAL

FEATURES AND ACCESSORIES

Standard Items

The V-blade is equipped with the following standard items:

- Moldboard That Angles Right Or Left Up To 30°
- Trip Edge
- Bolt On Replaceable Cutting Edge

Options And Accessories

- Rubber Or Polyether Cutting Edges Available
- Side Marker Kit
- Rubber Snow Deflector

Attachment Control kit

OPERATING INSTRUCTIONS

INITIAL SETUP	21
Adjusting Skid Shoe Height	21
DAILY INSPECTION	22
Attachment Mounting Frame	22
Front Mount Frame	22
OPERATING PROCEDURE WITH UTILITY VEHICLES	23
Approved Utility Vehicle Models And Requirements	23
Entering And Exiting The Utility Vehicle	24
Installation	26
Hydraulic Quick Couplers	30
Electrical Connection	31
Control Functions	33
Operation With The Utility Vehicle	34
Removal	37
LIFTING THE ATTACHMENT	39
Procedure	39
TRANSPORTING THE ATTACHMENT ON A TRAILER	40
Fastening	40
TRANSPORTING THE ATTACHMENT AND MACHINE ON A TRAILER	41
Loading And Fastening	41

OPERATING PROCEDURE WITH UTILITY VEHICLES (CONT'D)

Installation (Cont'd)

For First Time Installation

New attachments and new utility vehicles are factory equipped with flush face couplers. See your Bobcat dealer for parts information.

IMPORTANT

- **Thoroughly clean the quick couplers before making connections. Dirt can quickly damage the system.**
- **Contain and dispose of any oil leakage in an environmentally safe manner.**

I-2278-0608

With the utility vehicle engine off and using the hose guides (if equipped), route the attachment hydraulic hoses to the utility vehicle. Connect the attachment hydraulic couplers to the utility vehicle quick couplers. (See Hydraulic Quick Couplers on Page 30.)

Check that the attachment hydraulic hoses are not twisted or contacting any moving parts of the utility vehicle or attachment.

NOTE: It may be necessary to loosen the couplers on the attachment hydraulic hoses to remove any twists in the hoses.

WARNING

AVOID INJURY OR DEATH

Wear safety glasses to prevent eye injury when any of the following conditions exist:

- **When fluids are under pressure.**
- **Flying debris or loose material is present.**
- **Engine is running.**
- **Tools are being used.**

W-2019-0907

Loosen the coupler connections on the attachment hydraulic hoses while connected to the utility vehicle. Do not remove the quick couplers.

Rotate the attachment hydraulic hoses as needed so the hoses are not twisted or contacting any moving parts of the utility vehicle or attachment.

With the twist(s) removed from the hydraulic hoses, tighten the attachment coupler connections while the couplers are still connected to the utility vehicle. This will help hold the hydraulic hoses in position while tightening.

Tighten the couplers connections to 63 N•m (46 ft-lb) torque before starting the utility vehicle.

Enter the utility vehicle. (See Entering And Exiting The Utility Vehicle on Page 24.)

Start the engine.

Engage auxiliary hydraulics. (See the utility vehicle's Operation & Maintenance Manual and Operator's Handbook for correct procedure.)

WARNING

AVOID INJURY OR DEATH

Diesel fuel or hydraulic fluid under pressure can penetrate skin or eyes, causing serious injury or death. Fluid leaks under pressure may not be visible. Use a piece of cardboard or wood to find leaks. Do not use your bare hand. Wear safety goggles. If fluid enters skin or eyes, get immediate medical attention from a physician familiar with this injury.

W-2072-0807

Check the attachment for proper hydraulic functions. (See Control Functions on Page 33.)

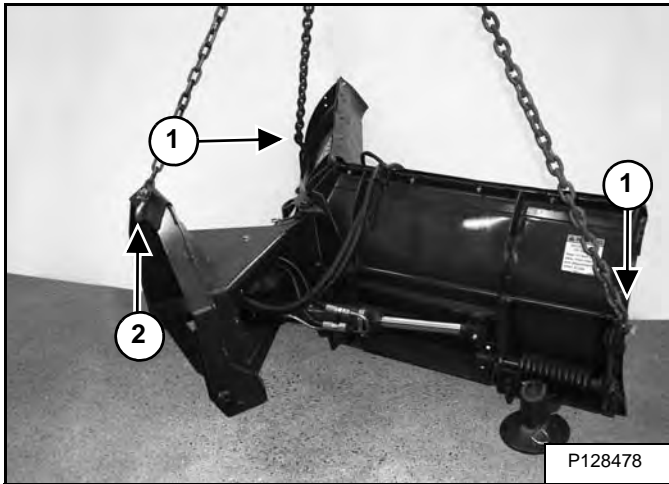
NOTE: If the V-blade movement is opposite of the toggle switch (See Control Functions on Page 33.), stop the engine, relieve the auxiliary hydraulic pressure, exit the utility vehicle and switch the hydraulic quick couplers on the attachment.

Check the attachment hydraulic coupler connections for leaks.

LIFTING THE ATTACHMENT

Procedure

Figure 37



Fasten chains to both sides of the V-blade (Item 1) and mounting flange (Item 2) [Figure 37].

NOTE: Use chains that are in good condition and of adequate size to lift the attachment.

REMOVAL AND INSTALLATION OF SKID SHOE

Procedure(s)



AVOID INJURY OR DEATH

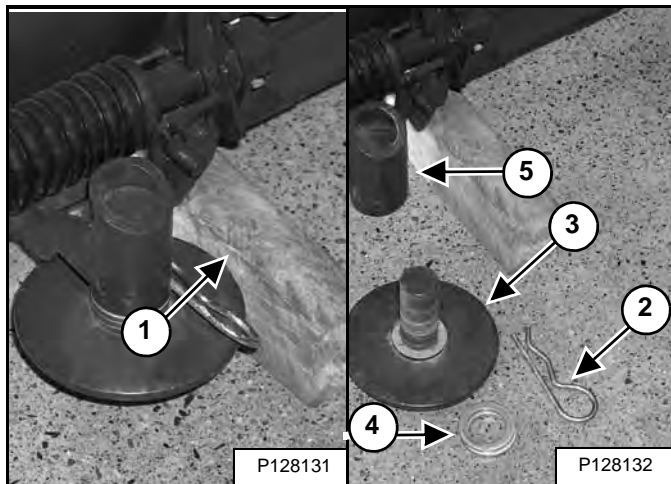
Wear safety glasses to prevent eye injury when any of the following conditions exist:

- When fluids are under pressure.
- Flying debris or loose material is present.
- Engine is running.
- Tools are being used.

W-2019-0907

Skid Shoe Removal

Figure 45



Fully raise the snow blade off the ground. Place blocks (Item 1) [Figure 45] under the cutting edge (both sides) to hold the skid shoe(s) off the ground.

Lower the snow blade until it rests on the blocks. Stop the engine and exit the machine. (See Entering And Exiting The Utility Vehicle on Page 24.)

Remove the retaining pin (Item 2) and the skid shoe (Item 3) [Figure 45].



AVOID INJURY OR DEATH

Securely block up the attachment before working underneath.

W-2795-0409

Skid Shoe Installation

Install spacers (Item 4) onto the skid shoe (Item 3) [Figure 45] to the desired height.

Insert the skid shoe all the way into the skid shoe sleeve (Item 5) [Figure 45].

NOTE: If the skid shoes are not installed properly, the weight of the snow blade will be put upon the retaining pin instead of the washers and may cause breakage.

Install retaining pin (Item 2) through a retaining pin hole in the skid shoe sleeve (Item 5) [Figure 45].

Repeat on the other side, making sure both skid shoes are adjusted to the same height.

MACHINE SIGN TRANSLATIONS

MACHINE SIGN TRANSLATIONS61
Warning (6583862)61

TORQUE SPECIFICATIONS FOR BOLTS

The following table shows standard torque specifications for bolts with zinc phosphate coating. Bolts purchased from Bobcat Company that have zinc phosphate coating are specified by the letter H following the part number.

	Thread Size	SAE Grade 5	SAE Grade 8
N•m (in-lb)	0.250	9,0 - 10,2 (80 - 90)	12,4 - 13,6 (110 - 120)
	0.3125	20,3 - 22,6 (180 - 200)	24,2 - 27,1 (215 - 240)
N•m (ft-lb)	0.375	34 - 38 (25 - 28)	47 - 54 (35 - 40)
	0.4375	54 - 61 (40 - 45)	81 - 88 (60 - 65)
	0.500	88 - 95 (65 - 70)	122 - 136 (90 - 100)
	0.5625	122 - 136 (90 - 100)	170 - 190 (125 - 140)
	0.625	170 - 190 (125 - 140)	240 - 260 (175 - 190)
	0.750	300 - 330 (220 - 245)	410 - 450 (300 - 330)
	0.875	450 - 490 (330 - 360)	645 - 710 (475 - 525)
	1.000	645 - 710 (475 - 525)	985 - 1085 (725 - 800)
	1.125	880 - 975 (650 - 720)	1425 - 1600 (1050 - 1175)
	1.250	1200 - 1360 (900 - 1000)	2000 - 2200 (1475 - 1625)
	1.375	1630 - 1830 (1200 - 1350)	2720 - 2980 (2000 - 2200)
	1.500	2040 - 2240 (1500 - 1650)	3530 - 3870 (2600 - 2850)
	1.625	2720 - 2980 (2000 - 2800)	4680 - 5150 (3450 - 3800)
	1.750	3390 - 3730 (2500 - 2750)	5830 - 6500 (4300 - 4800)
	1.875	4270 - 4750 (3150 - 3500)	7450 - 8300 (5500 - 6100)
2.000	5150 - 5700 (3800 - 4200)	8800 - 9800 (6500 - 7200)	

CLICK HERE TO **DOWNLOAD** THE COMPLETE MANUAL

- Thank you very much for reading the preview of the manual.
- You can download the complete manual from: www.heydownloads.com by clicking the link below



- Please note: If there is no response to CLICKING the link, please download this PDF first and then click on it.

CLICK HERE TO **DOWNLOAD** THE COMPLETE MANUAL