

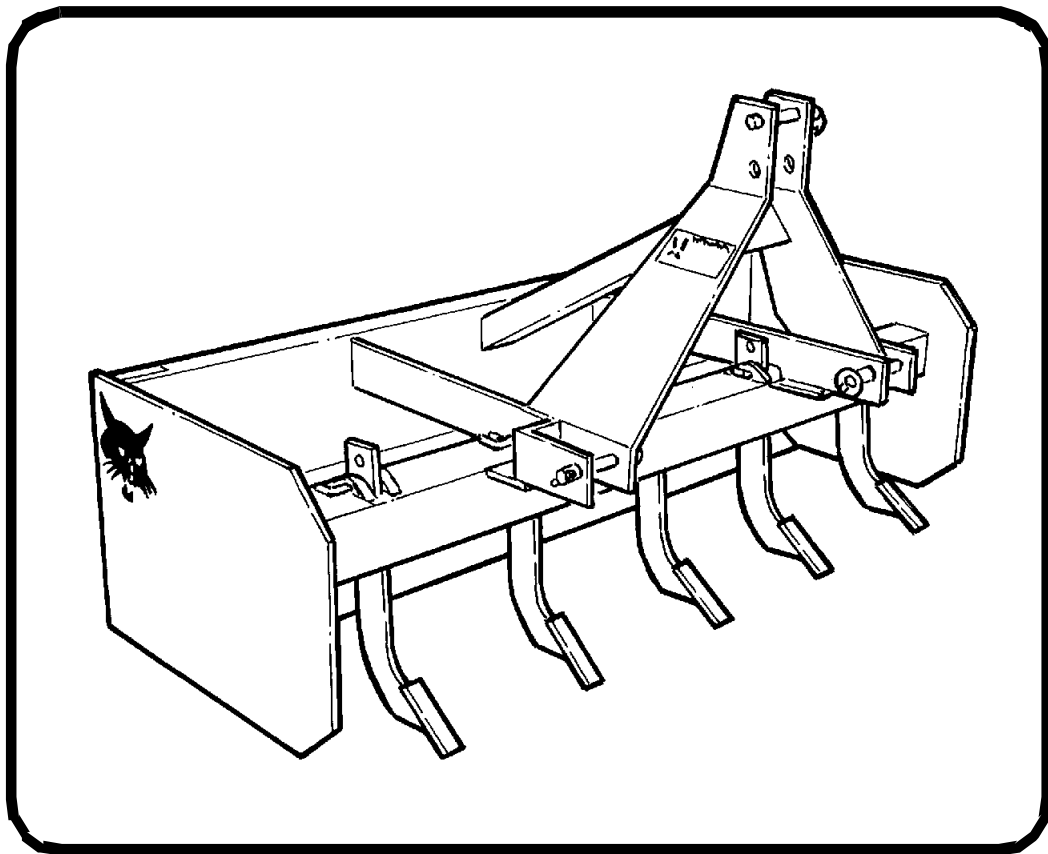


Bobcat®

Operation & Maintenance Manual

Three-Point Box Blade

(3BB60) S/N AL1600101 & Above
(3BB72) S/N AL1700101 & Above
(3BB84) S/N AL1800101 & Above



CLICK HERE TO **DOWNLOAD** THE COMPLETE MANUAL

- Thank you very much for reading the preview of the manual.
- You can download the complete manual from: www.heydownloads.com by clicking the link below



- Please note: If there is no response to CLICKING the link, please download this PDF first and then click on it.

CLICK HERE TO **DOWNLOAD** THE COMPLETE MANUAL

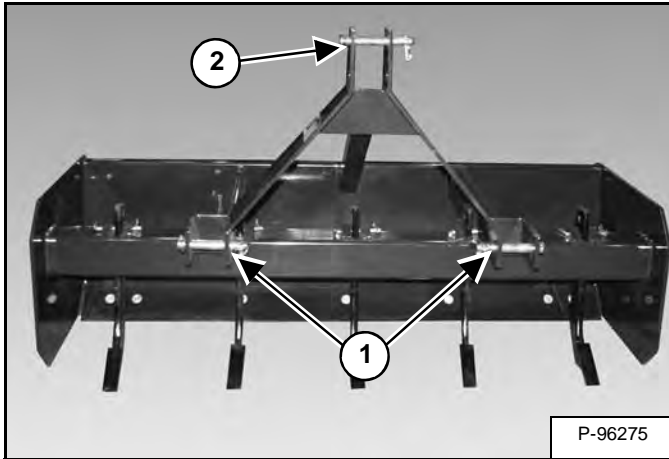


Bobcat®

DAILY INSPECTION

Implement Mounting Frame

Figure 3



Inspect the lower three-point mounts and lower mounting pins (Item 1) and upper three-point mount and pin (Item 2) [Figure 3], along with all welds for wear and damage each time the three-point box blade is removed from the machine.

Check the following items at the start of a work day:

- Check for damaged or missing decals. Replace if necessary.
- Replace any worn or damaged parts immediately.

OPERATING PROCEDURE WITH UTILITY WORK MACHINE (CONT'D)

Removal

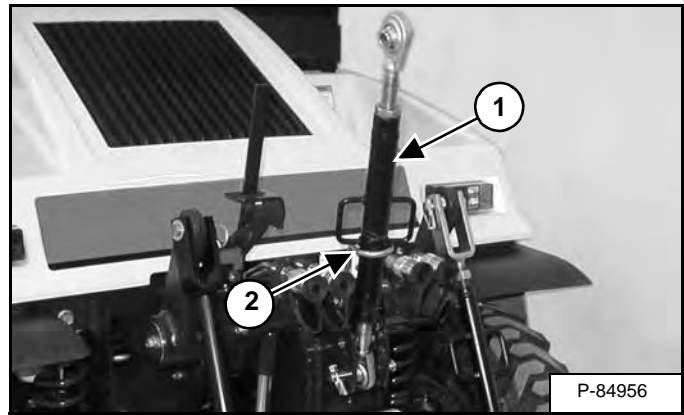
Removing The Three-Point Implement

Fully lower the implement to the ground.

NOTE: In muddy conditions or to prevent the implement from freezing to the ground, put the implement on planks or blocks before removing the implement from the machine.

Stop the engine and exit the work machine. (See Entering And Exiting The Work Machine on Page 25.)

Figure 24



Place the top link (Item 1) into the storage position bracket (Item 2) [Figure 24].

WARNING

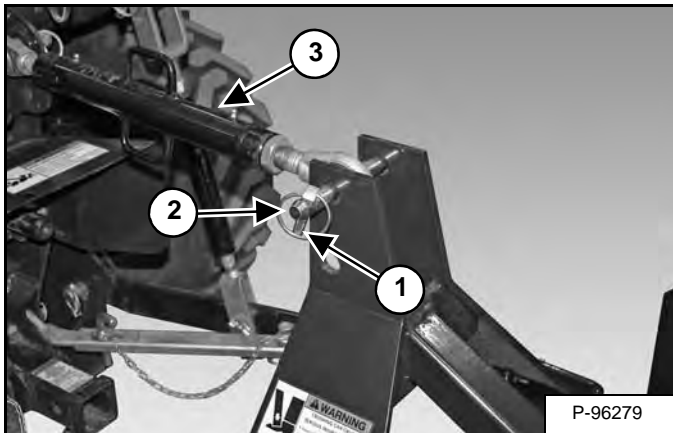
AVOID INJURY OR DEATH

Before you leave the operator's seat:

- Lower the lift arm, put attachment and implement (if equipped) flat on the ground.
- Put Travel Direction Control Lever in PARK.
- Stop the engine.
- Raise operator arm rest.

W-2740-0608

Figure 23



NOTE: It may be necessary to lengthen or shorten the top link when removing the implement from the compact tractor. (See Top Link on Page 29.)

Remove the retainer pin (Item 1) and pin (Item 2) [Figure 23].

Remove the top link (Item 3) [Figure 23] from the implement.

OPERATING PROCEDURE WITH COMPACT TRACTORS (CONT'D)

Removal

Removing The Three-Point Implement

Fully lower the implement to the ground.

NOTE: In muddy conditions or to prevent the implement from freezing to the ground, put the implement on planks or blocks before removing the implement from the machine.

Stop the engine and exit the compact tractor. (See Entering And Exiting The Compact Tractor on Page 35.)

WARNING

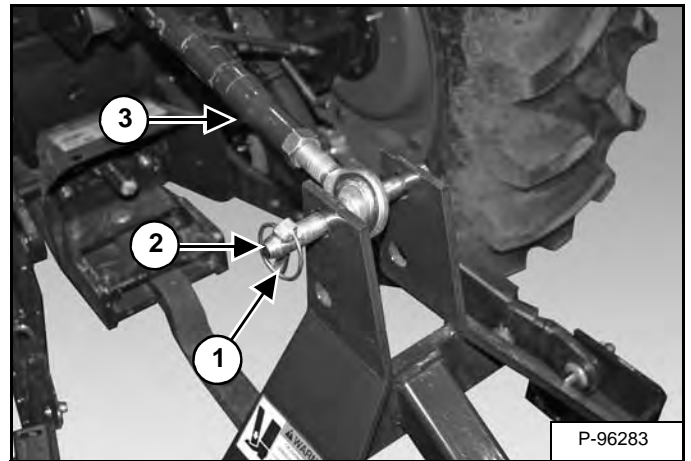
AVOID INJURY OR DEATH

Before you leave the operator's seat:

- Fully lower the loader arms, put the attachment flat on the ground (if equipped).
- Fully lower the implement(s) to the ground (if equipped).
- Lock brake pedals together and engage the parking brake.
- Place F-N-R lever in neutral (SST models only).
- Place all controls in neutral.
- Stop the engine, unfasten the seat belt and remove the key.

W-2569-0909

Figure 42

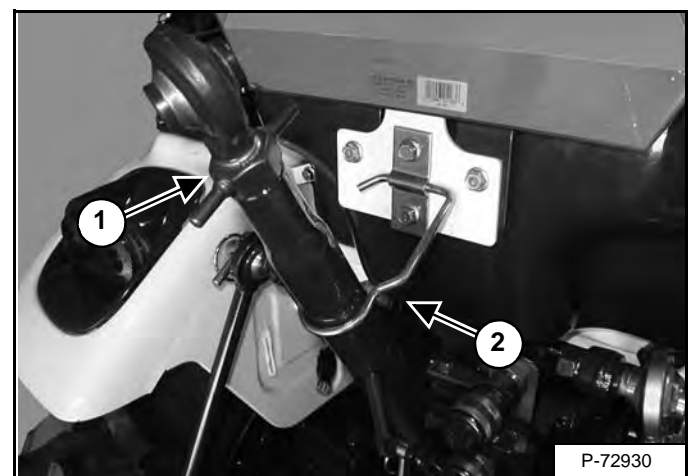


NOTE: It may be necessary to lengthen or shorten the top link when removing the implement from the compact tractor. (See Top Link on Page 39.)

Remove the retainer pin (Item 1) and pin (Item 2) [Figure 42].

Remove the top link (Item 3) [Figure 42] from the implement.

Figure 43



Place the top link (Item 1) into the storage position bracket (Item 2) [Figure 43].



Bobcat®

CLICK HERE TO **DOWNLOAD** THE COMPLETE MANUAL

- Thank you very much for reading the preview of the manual.
- You can download the complete manual from: www.heydownloads.com by clicking the link below



- Please note: If there is no response to CLICKING the link, please download this PDF first and then click on it.

CLICK HERE TO **DOWNLOAD** THE COMPLETE MANUAL