



BI016633
March 2013

Operation and Maintenance Manual

IMPACT ROLL CRUSHER SB 0815

CLICK HERE TO **DOWNLOAD** THE COMPLETE MANUAL

- Thank you very much for reading the preview of the manual.
- You can download the complete manual from: www.heydownloads.com by clicking the link below



- Please note: If there is no response to CLICKING the link, please download this PDF first and then click on it.

CLICK HERE TO **DOWNLOAD** THE COMPLETE MANUAL

About this manual

This chapter provides important information making it easier for you to use this manual. You will also be given information on the structure of the manual and the symbols and characters used.

Before starting work

applicable operating manual	This operating manual is designed for the following crusher plant. It is only permitted to be used for this crusher plant (subject to change):
crusher type	MinPro crusher plant SB 0815
	Object-No.: 5528080000000
	Mach.-No.: 606

new operating manual	Send for a new manual immediately if the present manual is no longer complete or has become illegible.
-----------------------------	--

Who is this operating manual intended for?

This operating manual is intended for those persons who work with or on the crusher plant.

It is the customer's / operator's responsibility that all persons, who work with this plant, know this operating manual. It must be realized and accessible.

This includes persons:

- are in charge of transport
- perform assembly/disassembly work
- operate the crusher plant
- eliminate faults
- perform daily routine work on site
- perform maintenance work
- perform repair work

Supervisory personnel who:

- initiate and/or
- supervise the activities just indicated

What is the purpose of this operating manual?

cost-effectiveness	This operating manual is intended to help you working efficiently and safely with our product. It contains important information on all the activities related to the crusher plant.
---------------------------	--

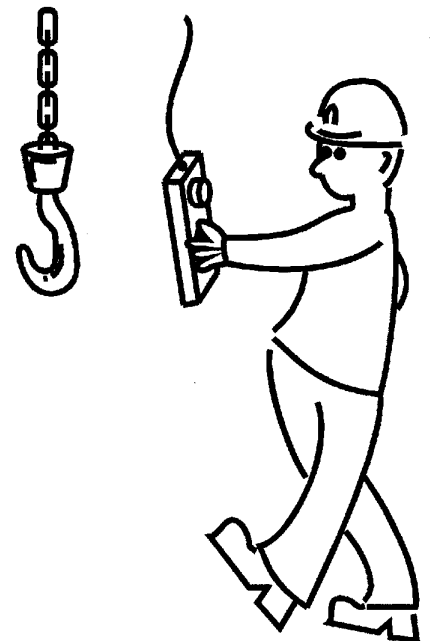
Pay special attention to the safety instructions.

service	If any details are not clearly understood, please contact our service department. Our service address is given on the title and on the first side of this operating manual.
----------------	---

safety	Read the chapter "For your safety" with special attention. This chapter contains important information indicating possible hazards.
---------------	---

Observe the information given and follow the procedural instructions.

3 Storage and transport



Technical data

This chapter contains the most important technical data on the crusher plant.

Furthermore the crusher plant will be described.

Further data can be found in the spare part lists and in the separate operating manuals for the individual components such as e.g. motors.

At the end of this chapter you will find information on bolt tightening torques; greases, etc.. Read this chapter carefully and pay attention in particular to the safety advices.

Technical data sheet

General	Feeding material:	Coal
	Final product size:	0 - 150 mm + oversize
	Throughput:	approx. 3500 t/h
	Total weight:	approx. 16,7 t
Dimensions	Length:	approx. 3000 mm
	Width:	approx. 2680 mm
	Height:	approx. 1435 mm
Impact roll crusher	Impact roll diameter:	840 mm
	Impact roll width:	1480 mm
	Passage height under roll:	194 - 274 mm
	R.P.M:	530 rpm
	Circumferential speed:	23,3 m/s
	Impact elements:	6 pcs.
Drive power:	300 HP	

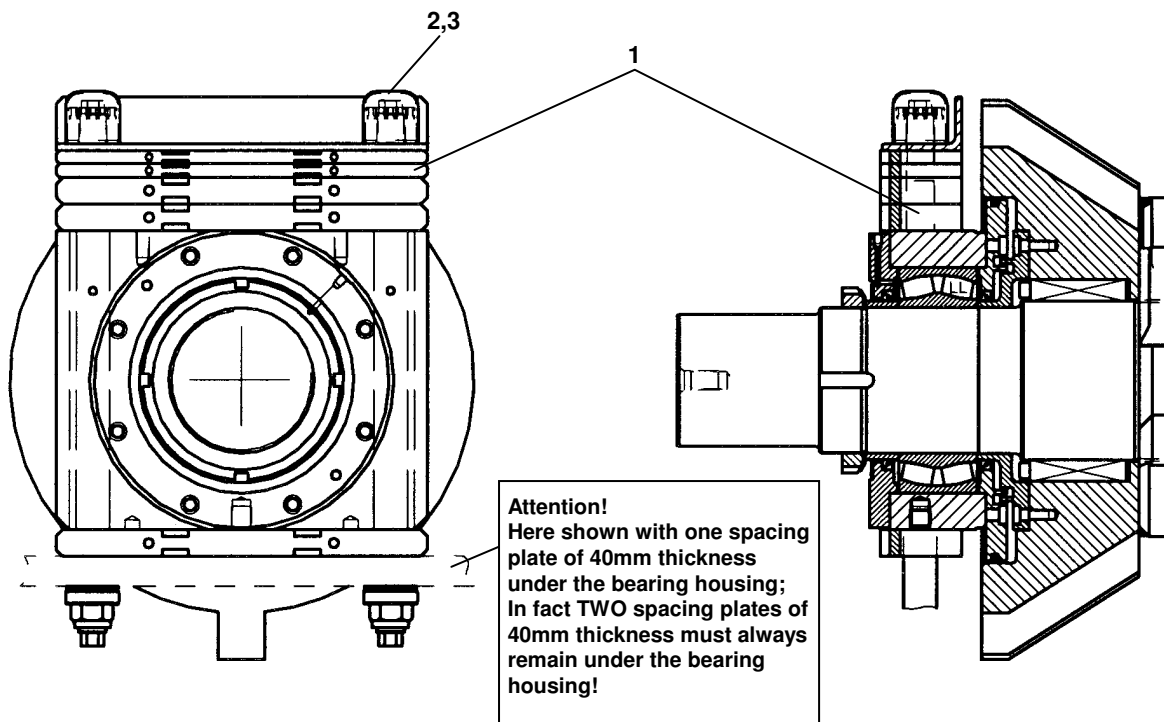
Recommended hydraulic fluids

Description acc. DIN51519 ISO-viscosity class	Company denotation	Viscosity in		Admissible temperature range in oil tank	Minimal starting temperature
		mm ² /s (cSt) 40 °C	mm ² /s (cSt) 50 °C		
VG 46	Aral Vitam DE 46	46	30	from 30 °C - 40 °C	0 °C
	BP Energol HLP 46	46	30		
	FUCHS RENOLIN B15	46	32		
	Mobil DTE 25	44	29		
	Shell Tellus Oel 46	46	30		
	Texaco Rando Oil HD-B46	44	29		

**Important!**

Please check with Hazemag if other types should be used, for authorization, so as to maintain the warranty!

Figure 15: Roll height adjustment

**Warning!**

No overpressure must be build up when the piston rod extends!

**Danger!**

The entrance to the annulus of the cylinder must never be blocked, because the movements of the cylinder can build up pressure extremely. Serious injuries or even death can be the result when pressure passes out off defect lines!

CLICK HERE TO **DOWNLOAD** THE COMPLETE MANUAL

- Thank you very much for reading the preview of the manual.
- You can download the complete manual from: www.heydownloads.com by clicking the link below



- Please note: If there is no response to CLICKING the link, please download this PDF first and then click on it.

CLICK HERE TO **DOWNLOAD** THE COMPLETE MANUAL