



# Technical Manual

CLICK HERE TO **DOWNLOAD** THE COMPLETE MANUAL

- Thank you very much for reading the preview of the manual.
- You can download the complete manual from: [www.heydownloads.com](http://www.heydownloads.com) by clicking the link below



- Please note: If there is no response to CLICKING the link, please download this PDF first and then click on it.

CLICK HERE TO **DOWNLOAD** THE COMPLETE MANUAL









































































CLICK HERE TO **DOWNLOAD** THE COMPLETE MANUAL

- Thank you very much for reading the preview of the manual.
- You can download the complete manual from: [www.heydownloads.com](http://www.heydownloads.com) by clicking the link below



- Please note: If there is no response to CLICKING the link, please download this PDF first and then click on it.

CLICK HERE TO **DOWNLOAD** THE COMPLETE MANUAL



































































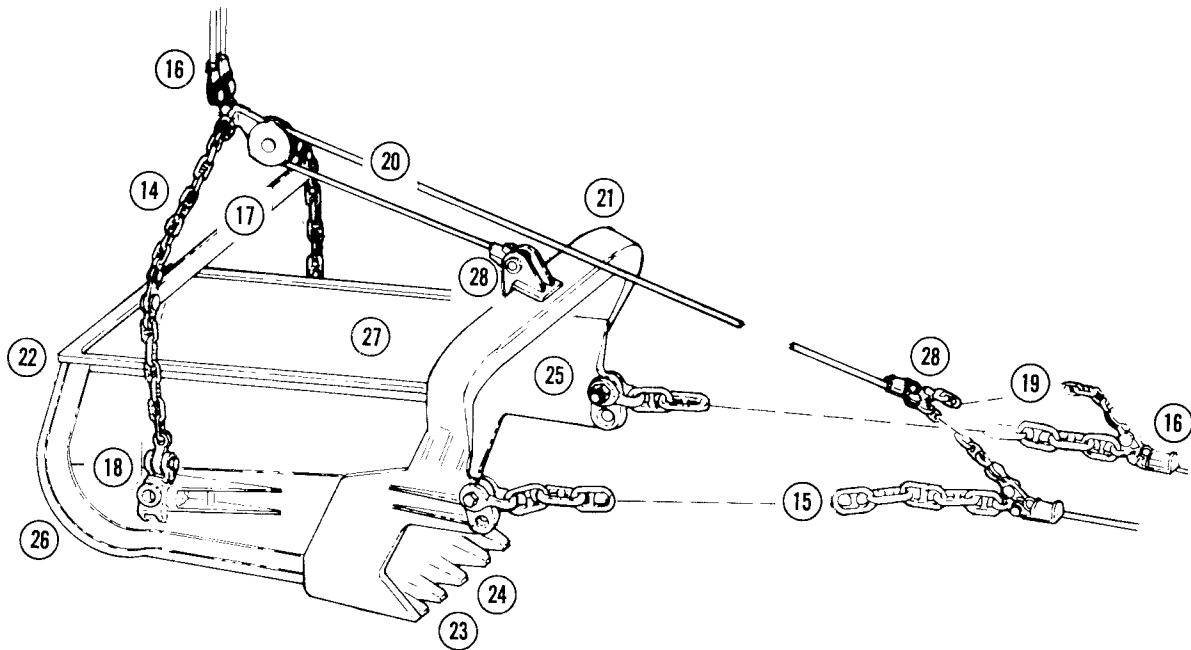
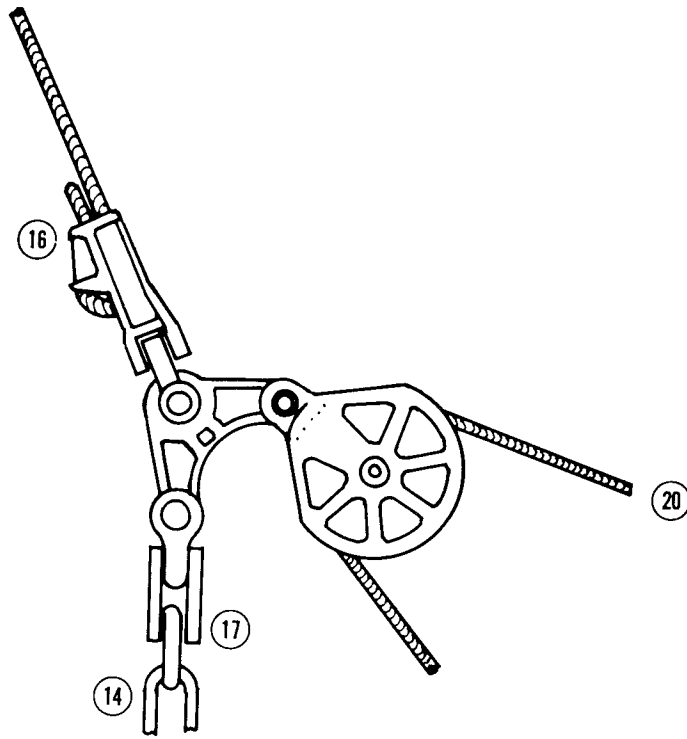






DAILY — EVERY 24 HOURS

BI006331



**25,000 HOUR MAINTENANCE INSPECTION SCHEDULE**  
**OPERATIONAL CHECK POINTS**  
**PERPETUAL WEEKLY ROUTINE**

MACHINE IDENTIFICATION			
MODEL	S/N		
SHIFT	1	2	3
OPERATOR			
INSPECTOR			

DESCRIPTION	STATUS		ACTION / REMARKS
	YES	NO	
1. <b>WEEK 1 THRU 4</b> — Tub, Swing Segments, Swing Pinions Retainer and Lower Roller Rails	<input type="checkbox"/>	<input type="checkbox"/>	Systematically inspect structures thoroughly and retorque all major holding bolts and rods. This entails cleaning as needed for inspection.
2. <b>WEEK 5 THRU 6</b> — Upper Roller Rails and Center Journal Bearings	<input type="checkbox"/>	<input type="checkbox"/>	
3. <b>WEEK 7 THRU 8</b> — Hoist and Drag Drum Barrel to Ends.	<input type="checkbox"/>	<input type="checkbox"/>	Repeat inspection schedule for Weeks 27 thru 52.
4. <b>WEEK 5 THRU 10</b> — Rotating Frame	<input type="checkbox"/>	<input type="checkbox"/>	
5. <b>WEEK 9 THRU 12</b> — Swing Cases, Hoist and Drag Cases and Pedestals	<input type="checkbox"/>	<input type="checkbox"/>	
6. <b>WEEK 11 THRU 12</b> — Walking Shoes	<input type="checkbox"/>	<input type="checkbox"/>	
7. <b>WEEK 13 THRU 14</b> — Roller Circle Cage	<input type="checkbox"/>	<input type="checkbox"/>	
8. <b>WEEK 13 THRU 16</b> — Boom	<input type="checkbox"/>	<input type="checkbox"/>	
9. <b>WEEK 15 THRU 16</b> — Boom Point Area and Rope Deflector Assembly	<input type="checkbox"/>	<input type="checkbox"/>	
10. <b>WEEK 17 THRU 18</b> — Propel Gear Case and Pedestals	<input type="checkbox"/>	<input type="checkbox"/>	
11. <b>WEEK 17 THRU 20</b> — Tri-Structure	<input type="checkbox"/>	<input type="checkbox"/>	
12. <b>WEEK 19 THRU 22</b> — Tri-Structure Sheaves and Fairlead Assembly	<input type="checkbox"/>	<input type="checkbox"/>	
13. <b>WEEK 21 THRU 22</b> — Fairlead	<input type="checkbox"/>	<input type="checkbox"/>	
14. <b>WEEK 23 THRU 24</b> — House Roof, Arches, Supports, Propel Linkage and Exciter Set	<input type="checkbox"/>	<input type="checkbox"/>	
15. <b>WEEK 25 THRU 26</b> — Propel Linkage and M-G Sets	<input type="checkbox"/>	<input type="checkbox"/>	

CLICK HERE TO **DOWNLOAD** THE COMPLETE MANUAL

- Thank you very much for reading the preview of the manual.
- You can download the complete manual from: [www.heydownloads.com](http://www.heydownloads.com) by clicking the link below



- Please note: If there is no response to CLICKING the link, please download this PDF first and then click on it.

CLICK HERE TO **DOWNLOAD** THE COMPLETE MANUAL