

PÖTTINGER Service international

ALOS PÖTTINGER Maschinenfabrik GmbH
A-4710 Grieskirchen D-6800 Augsburg 22 D-4602 Greven
Tel. 00 49 481 52 31-0 Tel. 00 49 21 711 40 6-62
F5 025 543 F5 333 409 F5 102 264

**Betriebsanleitung
Ersatzteilliste**

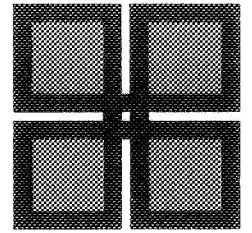
Nr. 00.073.99.706.1

T D 26/86

**Operating instructions
Spare parts list**

Schutzgebühr S 40,-

MASCHINENNR. 1001 - 1030



WID-L Holzhackmaschine

Arbeits 1985/86

CLICK HERE TO **DOWNLOAD** THE COMPLETE MANUAL

- Thank you very much for reading the preview of the manual.
- You can download the complete manual from: www.heydownloads.com by clicking the link below



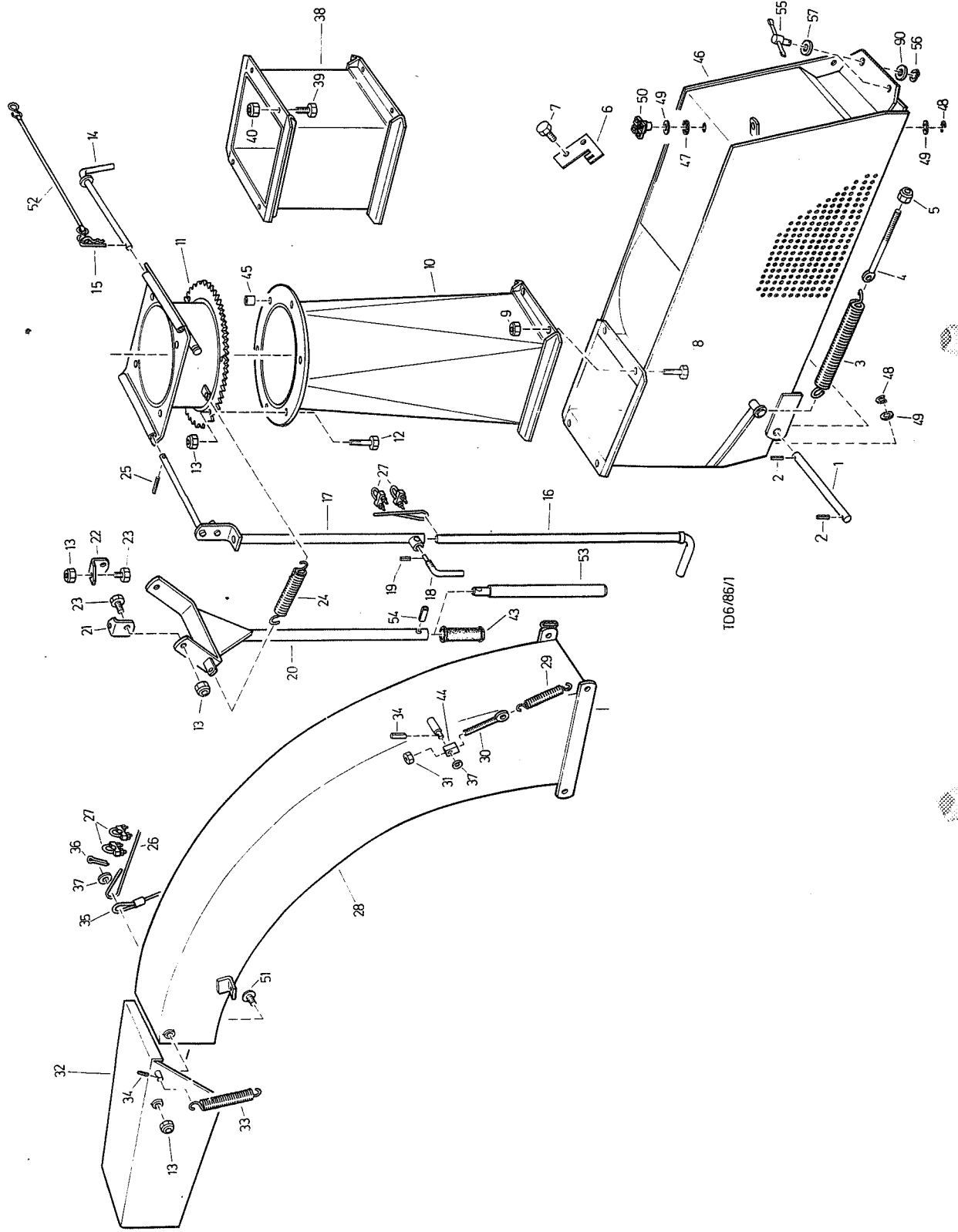
- Please note: If there is no response to CLICKING the link, please download this PDF first and then click on it.

CLICK HERE TO **DOWNLOAD** THE COMPLETE MANUAL

(SHM 073)

BILDTAFEL
DIAGRAM

10 VERDECK MIT AUSWURF
COVER WITH SPOUT AND EXTENSION

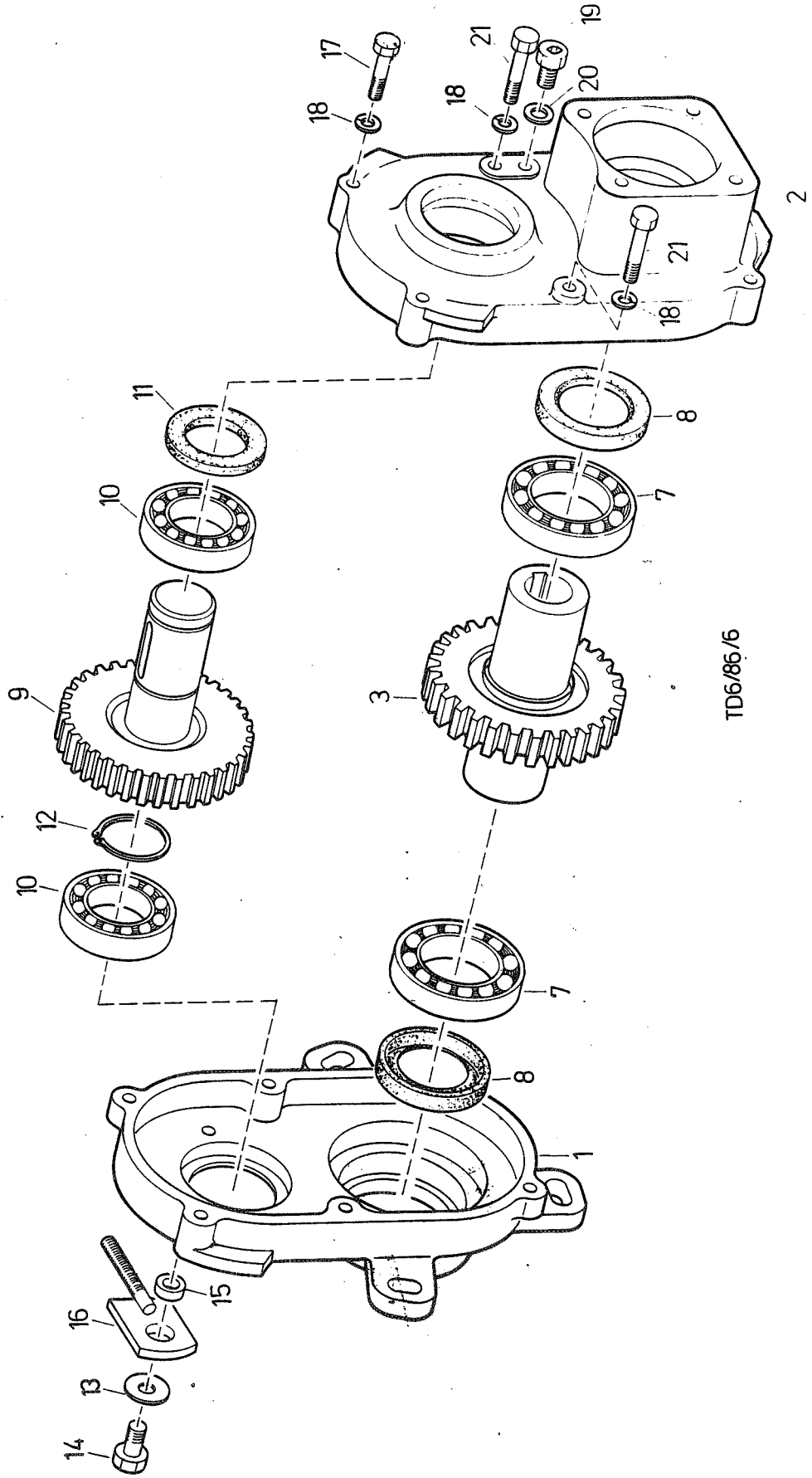


TD6/86/1

PNR	TEILE-NR	MENGE	BENENNUNG	DESIGNATION	DESCRIPTION	BEREMKUNG
0.01	00	500.1.190	2 BEREIFUNG 205R14C 8PR	PNEUS	TYRES	(8-10
1	00	075.31.015.0	1 KONSOLE	CONSOLE	CONSOLE	
2	00	100.086	15 SK-SCHRAUBE M12X30 DIN 933-8.8	VIS TETE 6-PANS	HEX. HEAD SCREW	648
3	00	122.058	6 SICHERUNGSMUTTER M12 DIN 980-8	ECROU	NUT	
4	00	162.621	10 SCHEIBE 24X13X2	RONDELLE	WASHER	
5	00	075.32.037.0	2 BUEGEL	ETRIER	CROSSTIE	
6	00	100.324	4 SK-SCHRAUBE M12X60 DIN 931 8.8	VIS A TETE 6 PANS	HEX. BOLT	
7	00	165.012	10 HEDTMANN-SICHERHEITSR.12, 1980	RONDELLE ELASTIQUE	SPRING WASHER	
8	00	451.575	2 FELGE MIT DISKUS	JANTE POUR PNEUS	RIM	
9	00	452.075	2 REIFEN 205R 14C 8PR	PNEUMATIQUE	TYRE	
10	00	452.575	2 LUFTSCHLAUCH MIT VENTIL	CHAMBRE A AIR	AIR HOSE	
11	00	075.32.050.0	1 KOTFLUEGEL RE.	AILE	MUDGUARD	R
12	00	075.32.040.0	1 KOTFLUEGEL LI.	AILE	MUDGUARD	L
13	00	075.32.052.0	1 HALTER RE.	SUPPORT	SUPPORT	R
14	00	100.043	10 SK-SCHRAUBE M 8X20 DIN 933-8.8	VIS TETE 6-PANS	HEX. HEAD SCREW	
15	00	122.056	10 SICHERUNGSMUTTER M8 DIN 980-8	ECROU "STOVER"	STOVER NUT	
16	00	162.601	2 SCHEIBE 18X8,4X2	RONDELLE	WASHER	
17	00	100.065	4 SK-SCHRAUBE M10X30 DIN 933-8.8	VIS TETE 6-PANS	HEX. HEAD SCREW	
18	00	122.057	3 SICHERUNGSMUTTER M10 DIN 980-8	ECROU "STOVER"	NUT	
19	00	075.32.010.0	1 HALTER	SUPPORT	SUPPORT	
20	00	454.090	1 AUFLAUFEINRICHTUNG (200 SR/1)	DISP. DE FREINAGE	OVERRUNN DEVICE	
21	00	100.335	2 SK-SCHRAUBE M12X130 DIN931-8.8	VIS A TETE 6 PANS	HEX. BOLT	
22	00	453.149	1 ACHSE B 2000	ESSIEU	AXLE	
23	00	075.32.025.0	1 DEICHSELARM LI.	TIMON	DRAWBAR	(23,24 L
24	00	464.106	1 RUNDGLIEDERKETTE 5X28 (24 GLD)	CHAINE A*MAILL,RONDS	ROUND LINK CHAIN	
25	00	075.32.016.0	1 DEICHSELARM RE.	TIMON	DRAWBAR	R
26	00	-	-	-	-	*42
27	00	075.32.032.0	1 STREBE	PLAQUE PERFOREE	STRUT	
28	00	100.087	1 SK-SCHRAUBE M12X35 DIN 933 8.8	VIS TETE 6-PANS	HEX HEAD SCREW	
29	00	172.230	2 SPANNSTIFT 12X60 DIN 1481	GOUPILLE ELASTIQUE	SPLIT TAPER SLEEVE	
30	00	455.911	2 KEILHALTER KLEIN	SUPPORT DE CALE	CHOCK HOLDER	
31	00	455.901	2 UNTERLEGKEIL KLEIN UK 380	CALE DE FREINAGE	WHEEL CHOCK	
32	00	470.144	2 KAMMERLEUCHTE RE. (STARLUX)	ECLAIRAGE ENCAST. G.	LAMP	
33	00	470.147	2 KENNZEICHENLEUCHTE	ECLAIR PLAQUE POLICE	NUMBER PLATE LIGHT	
34	00	470.013	2 BEGRENZUNGSLICHT WEISS	FEU D'ENCOMBREMANT	MARKER LIGHT	
35	00	075.32.034.0	2 ANSCHLUSSKABEL VORNE	RACCORD CABLE	CABLE	@1300
36	00	475.161	3 KABELBINDER 2,5X98	ATTACHE-CABLE	STRIP	
37	00	475.127	3 SELBSTKLEBEPLATTE	GLUTEN PLATINE	GLUE PLATE	
38	00	075.34.173.0	2 LITZENDRAHT	BRIN DE CABLE	STRAND OF WIRE	
39	00	475.068	3 STECKVERTEILER 3-FACH	CONNECTEUR TRIPLE	DISTRIBUTER	
40	00	474.211	1 LEITUNGSVERBINDER	CONNECTEUR DE CON.	CABLE CONNECTOR	
41	00	104.536	1 ZYL.SCHRAUBE M 4X25 DIN 84-4.8	VIS TETE CYLINDR.	CHEESE-HEAD SCREW	
42	00	120.155	1 SK-MUTTER M 4 DIN 934-6	ECROU A SIX PANS	HEXAGON NUT	
43	00	165.306	1 HEDTMANN-SICHERHEITSRING 4	RONDELLE GROWER	SPRING LOCKWASHER	
44	00	476.005	1 KABEL 6-ADRIG M. STECKER	CABLE	CABLE	@4100
45	00	470.991	2 DREIECKRUECKSTRAHLER	CATAPHOTE	REFLECTOR	
46	00	104.545	8 ZYL-SCHR. M 5X16 DIN 84-4.8	VIS TETE CYLINDR.	CHEESE-HEAD SCREW	
47	00	120.156	8 SK-MUTTER M 5 DIN 934-8	ECROU HEXAGONAL	HEX. NUT	
48	00	165.307	8 HEDTMANN-SICHERHEITSRING 5	RONDELLE GROWER	SPRING LOCKWASHER	
49	00	470.981	2 RUECKSTRAHLER WEISS D 80 MM	CATAPHOTE BLANC	REAR REFLECTOR WHITE	M:BRD
50	00	075.34.180.0	2 WINKEL	EQUERRE	ANGLE	M:BRD
51	00	103.022	4 SK-SCHRAUBE M6X16 DIN 933-8.8	VIS TETE 6-PANS	HEX. HEAD SCREW	M:BRD
52	00	122.104	4 SICHERUNGSMUTTER M 6 DIN 980-8	ECROU "STOVER"	STOVER NUT	M:BRD
53	00	075.32.036.0	1 HALTER	SUPPORT	SUPPORT	
54	00	100.301	1 SK-SCHRAUBE M10X50 DIN 931-8.8	VIS TETE 6-PANS	HEX. HEAD SCREW	
55	00	075.32.035.0	2 ANSCHLUSSKABEL HINTEN	RACCORD CABLE	CABLE	@1250

(SHM 073)

BILDTAFEL 51 GETRIEBE
PLATE 51 GEARBOX



TD6/86/6

PNR	TEILE-NR	MENGE	BENENNUNG	DESIGNATION	DESCRIPTION	BEMERKUNG
0.01	00 456.386/186	1	GELENKW. W2500-1210-SC 24-F5	ARBRE A CARDANS	P.T.O. DRIVE SHAFT	(1-5,11-17 51-58 V
0.02	00 456.486/186	1	GELENKW. W2500-1210-SC 24-F5	ARBRE A CARDANS	P.T.O. DRIVE SHAFT	(1-5,11-17 51-58 V
0.03	00 456.586/186	1	GELENKW. W2500-1210-SC 24-F5	ARBRE A CARDANS	P.T.O. DRIVE SHAFT	(1-5,11-17 51-58 V
0.04	00 456.686/186	1	GELENKW. W2500-1210-SC 24-F5	ARBRE A CARDANS	P.T.O. DRIVE SHAFT	(1-5,11-17 51-58 V
0.05	00 456.386	1	GELENKWELLENH. 1 3/8" 6-TLG.	MOITIE D'ARBRE CARD.	CARDAN SHAFT HALF	V,Q,(FU1
0.06	00 456.486	1	GELENKWELLENH. 1 3/8" 21-TLG.	MOITIE D'ARBRE CARD.	CARDAN SHAFT HALF	V,Q,(FU1
0.07	00 456.586	1	GELENKWELLENH. 1 3/4" 6-TLG.	MOITIE D'ARBRE CARD.	CARDAN SHAFT HALF	V,Q,(FU1
0.08	00 456.686	1	GELENKWELLENH. 1 3/4" 20-TLG.	MOITIE D'ARBRE CARD.	CARDAN SHAFT HALF	V,Q,(FU1
0.09	00 456.186	1	GELENKWELLENHAELFTE	MOITIE D'ARBRE	U-JOINT	N (FU2
1	45 36.10.00	1	AUFSTECKGABEL M.KNP1 3/8" 6TLG	MACHOIRE A VERROUILL	DISCONNECT YOKE	V
1.01	45 36.10.02	1	AUFSTECKGABEL M.KNP1 3/8" 21TLG	MACHOIRE A VERROUILL	DISCONNECT YOKE	V
1.02	45 36.18.00	1	AUFSTECKGABEL M.KNP1 3/4" 6TLG	MACHOIRE A VERROUILL	DISCONNECT YOKE	V
1.03	45 36.18.02	1	AUFSTECKGABEL M.KNP1 3/4" 20TLG	MACHOIRE A VERROUILL	DISCONNECT YOKE	V
2	45 65.01.12	1	SCHIEBESTIFT 1 3/8" 6 U. 21TLG.	CHEVILLE COULISSANTE	SLIDE PIN	V
2.01	45 65.01.13	1	SCHIEBESTIFT 1 3/4" 6-TLG.	CHEVILLE COULISSANTE	SLIDE PIN	V
3	45 66.01.49	1	DRUCKFEDER 1 3/8" 6 U. 21 TLG.	RESSORT DE PRESSION	THRUST SPRING	V
3.01	45 66.01.50	1	DRUCKFEDER 1 3/4" 6-TLG.	RESSORT DE PRESSION	THRUST SPRING	V
4	45 16.11.22	1	SCHEIBE 1 3/8" 6 U. 21 TLG.	RONDELLE	WASHER	V
4.01	45 16.11.23	1	SCHEIBE 1 3/4" 6-TLG.	RONDELLE	WASHER	V
5	00 -	-	-	-	-	* 91
11	45 36.00.00	2	KREUZGARNITUR KPL.	CROISSILLON	CROSS - BEARING KIT	
12	45 62.38.00	8	SICHERUNGSRING 36X1,5 DIN 984	CIRCLIP	CIRCLIP	
13	45 36.13.100	1	RILLEGABEL M. PROF. S4	MACHOIRE A GORGE	INBOARD YOKE	
14	00 172.206	2	SPANNSTIFT 10X85 DIN 1481	GOUPILLE ELASTIQUE	SPLIT TAPER SLEEVE	
15	45 75.44.18	1	PROFILWELLE S4	ARBRE PROFILE	PROFILE SHAFT	
16	45 75.45.18	1	PROFILROHR S5	TUBE PROFILE	PROFILE TUBE	
17	45 36.14.100	1	RILLEGABEL M. PROF. S5	MACHOIRE A GORGE	INBOARD YOKE	
51	45 82.164	1	AUESSERE SCHUTZHAELFTE KPL.	MOITIE PROTECTR.EXT.	GUARD PIECE	
52	45 82.163	1	INNERE SCHUTZHAELFTE KPL.	DEMI-PROTECTEUR INT.	GUARD PIECE	
53	45 84.14.06	1	SCHUTZTRICHTER	CONE PROTECTEUR	GUARD CONE	
54	45 82.83.04	2	GLEITRING	BAGUE DE GLISSEMENT	BEARING RING	
55	45 80.39.03	1	AUSSENSCHUTZROHR	TUBE DE PROT.EXT.	OUTER PROTECT. TUBE @ 970	
56	45 80.38.03	1	INNENSCHUTZROHR	TUBE DE PROT.INT.	INNER PROTECT. TUBE @ 960	
57	45 84.14.10	1	SCHUTZTRICHTER	CONE PROTECTEUR	GUARD CONE	
58	45 82.36.03	1	HALTEKETTE	CHAINE DE RETENUE	RETAINING CHAIN	
59	00 456.615	1	NACHRUESTSATZ	EQUIPEMENT EXPRES	SPECIAL EQUIPMENT	P:F,GB

CLICK HERE TO **DOWNLOAD** THE COMPLETE MANUAL

- Thank you very much for reading the preview of the manual.
- You can download the complete manual from: www.heydownloads.com by clicking the link below



- Please note: If there is no response to CLICKING the link, please download this PDF first and then click on it.

CLICK HERE TO **DOWNLOAD** THE COMPLETE MANUAL