

# GTE 106/212/312

09.14

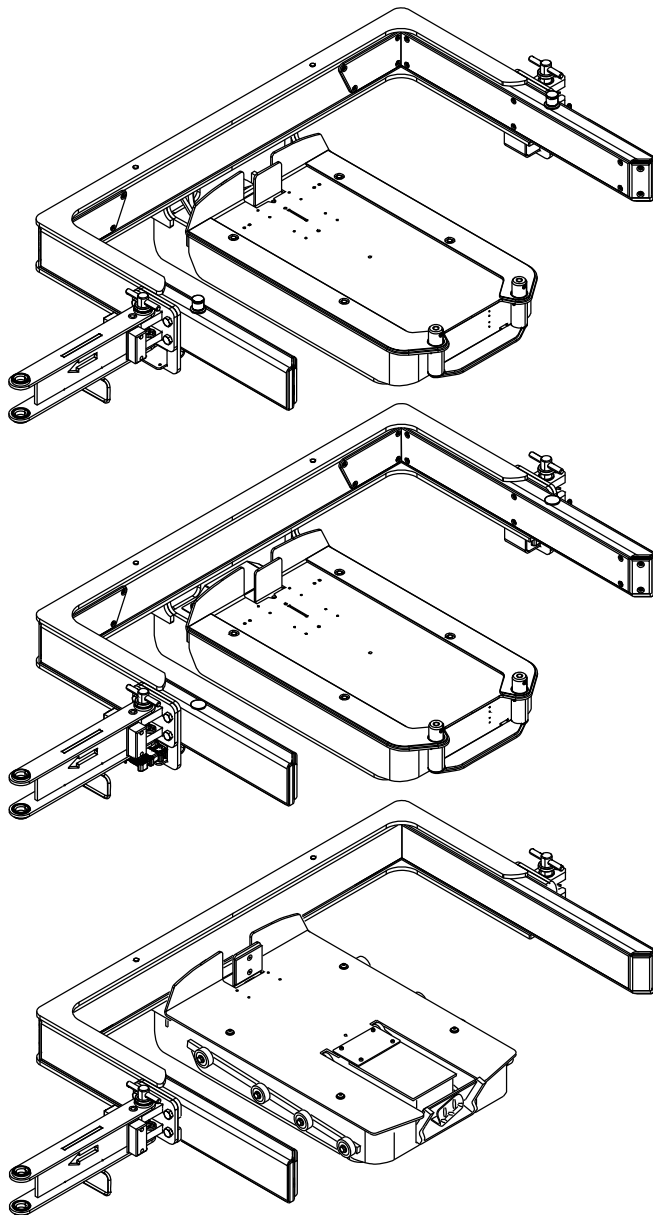
Operating instructions

Ⓞ GB

51410498

04.16

GTE 106  
GTE 212  
GTE 312



CLICK HERE TO **DOWNLOAD** THE COMPLETE MANUAL

- Thank you very much for reading the preview of the manual.
- You can download the complete manual from: [www.heydownloads.com](http://www.heydownloads.com) by clicking the link below



- Please note: If there is no response to CLICKING the link, please download this PDF first and then click on it.

CLICK HERE TO **DOWNLOAD** THE COMPLETE MANUAL

## 5 Proprietor responsibilities

For the purposes of the present operating instructions the “operating company” is defined as any natural or legal person who either uses the trailer himself, or on whose behalf it is used. In special cases (e.g. leasing or renting) the operating company is considered to be the person who, in accordance with existing contractual agreements between the owner and user of the trailer, is charged with operational duties.

The operating company must ensure that the trailer is used only for the purpose for which it is intended and that danger to life and limb of the user and third parties is excluded. Furthermore, accident prevention regulations, safety regulations and operating, servicing and repair guidelines must be followed. The operating company must ensure that all users have read and understood these operating instructions.

### **NOTE**

Failure to comply with these operating instructions shall invalidate the warranty. The same applies if improper work is carried out on the truck by the customer or third parties without the permission of the manufacturer.

---

### **NOTE**

#### **Requirements for companies operating tigger trains**

Companies operating tow tractors and trailers in tigger trains must ensure that the routes provided are suitable for safe operation of the tigger train.

The tigger train is to be operated only in the lanes provided and whose suitability has been checked beforehand.

Before commencing tigger train operations, the operating company must carry out a test run to ensure that the aiseways are suitable (above all wide enough) for this purpose.

---

	<b>Description</b>	<b>GTE 212 / GTE 312</b>	
c	Load centre distance	410 <sup>1</sup> / 610 <sup>2</sup>	mm
	Rated drawbar pull	1400 <sup>3</sup>	N
l1	Overall length	1654	mm
l3	Loading-platform length	550	mm
b1	Overall width	985 <sup>1</sup> / 1185 <sup>2</sup>	mm
b5	Overhang length	470 <sup>1</sup> / 570 <sup>2</sup>	mm
b9	Loading-platform width	800 <sup>1</sup> / 1000 <sup>2</sup>	mm
b10	Track	770 <sup>1</sup> / 970 <sup>2</sup>	mm
h3	Lift	62	mm
h10	Coupling height	304	mm
h13	Lowered height	205	mm
h15	Overall height	407	mm
m2	Ground clearance, centre of wheelbase	37	mm

1. With 800 x 1200 mm load aid.
2. With 1000 x 1200 mm load aid.
3. Maximum of 4 trailers recommended for each tugger train.

# D Operation

## 1 Safety Regulations for the Operation of Trailers

### **Driver authorisation**

The trailer and tugger train may only be used by suitably trained personnel who have demonstrated to the proprietor or his representative that they can drive and handle loads and have been explicitly authorised to do so. National regulations may need to be observed.

### **Operator's rights, obligations and responsibilities**

The operator must be informed of his duties and responsibilities and be instructed in the operation of the trailer and the tugger train and shall be familiar with the operating instructions. The driver shall be afforded all due rights. Safety footwear must be worn when operating the trailer.

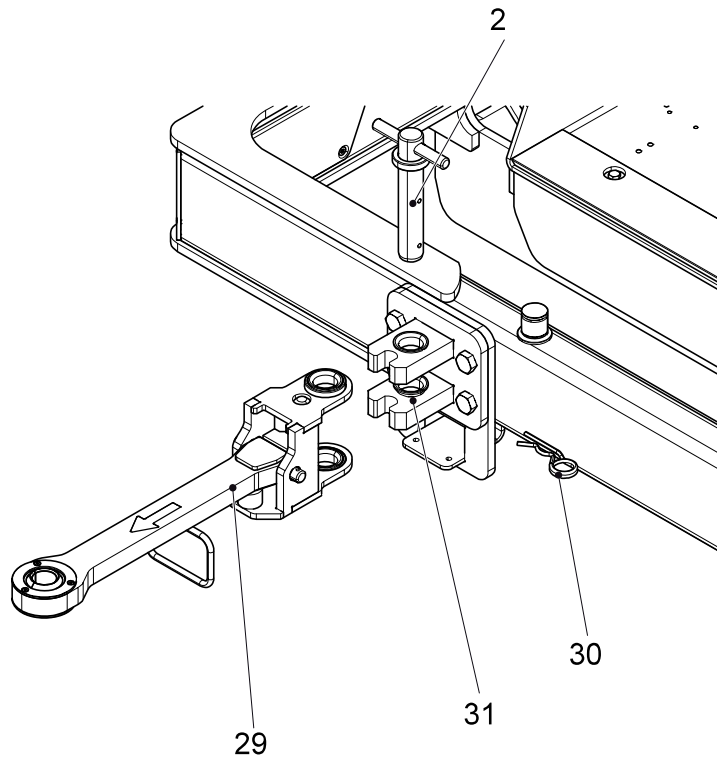
### **Unauthorised use**

The operator is responsible for the trailer and the tugger train during use. The operator must prevent unauthorised persons from using the trailer and the tugger train. Do not carry passengers or lift other people.

### **Damage and faults**

The supervisor must be immediately informed of any damage to or other defects on the trailer. Trailers and tugger trains which cannot be used safely (e.g. worn wheels or faulty tow tractor brakes) must not be used until they have been repaired.

### 4.2.3 Connecting the pivoting drawbar to the trailer



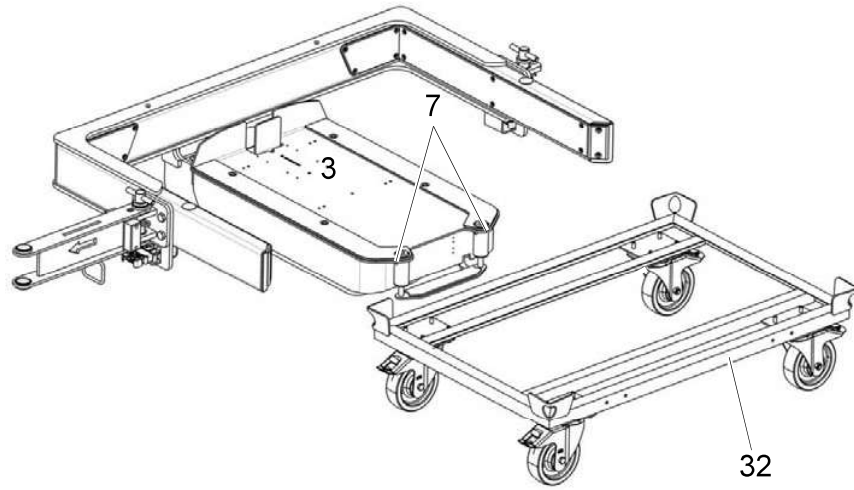
#### *Requirements*

- The correct drawbar is to be fitted to the correct side of the trailer.
- The pivoting side is always in front of the trailer in the direction of travel.
- The rigid side is always behind the trailer in the direction of travel.

#### *Procedure*

- Connect the pivoting drawbar (29) to the coupling.
- Push the coupling pin (2) through the eyelets (31).
- Secure the coupling.
  - To do this, push the spring cotter pin (30) in the coupling pin.

*The drawbar is connected to the coupling.*



## 4.5.2 Driving with several trailers in the tugger train

### CAUTION!

#### Accident risk

- ▶ Increased attention in the tugger train's area of operation.
  - ▶ The tugger train is only to be used in warehouse zones which are closed off to other personnel.
  - ▶ All persons working in the warehouse must be instructed in the hazards caused by the tugger train, as this can be up to 13 m long.
  - ▶ The tugger train operator must ensure that other persons keep a safe distance to the tugger train.
  - ▶ It is not permitted to stand between the trailers.
  - ▶ It is not permitted to carry passengers.
  - ▶ It is not permitted to reverse with the tugger train.
- 

### NOTE

- ▶ To increase the stability of the tugger train, the operator must ensure that heavy loads are loaded as far to the front and light loads as far to the rear of the tugger train as possible.
-

## 4 Maintenance and repairs

### 4.1 Preparing the Trailer for Maintenance and Repairs

#### *Procedure*

- Park the trailer securely, see page 35.
- Unplug the electrical connection, see page 49.

### 4.2 Cleaning

#### 4.2.1 Cleaning the trailer

#### **CAUTION!**

##### **Fire hazard**

Do not use flammable liquids to clean the trailer.

- ▶ Always disconnect the tow tractor before cleaning.
  - ▶ Before cleaning, carry out all necessary safety measures to prevent sparking (e.g. due to short circuits).
-

CLICK HERE TO **DOWNLOAD** THE COMPLETE MANUAL

- Thank you very much for reading the preview of the manual.
- You can download the complete manual from: [www.heydownloads.com](http://www.heydownloads.com) by clicking the link below



- Please note: If there is no response to CLICKING the link, please download this PDF first and then click on it.

CLICK HERE TO **DOWNLOAD** THE COMPLETE MANUAL