

▲ Read this handbook thoroughly and understand the whole information contained before trying to operate, inspect and service your machine!

**OPERATING &
MAINTENANCE
INSTRUCTIONS**

**VIBRATING
ROLLER**

MODEL

SW800-II

SW850-II

SW850ND-II

CLICK HERE TO **DOWNLOAD** THE COMPLETE MANUAL

- Thank you very much for reading the preview of the manual.
- You can download the complete manual from: www.heydownloads.com by clicking the link below



- Please note: If there is no response to CLICKING the link, please download this PDF first and then click on it.

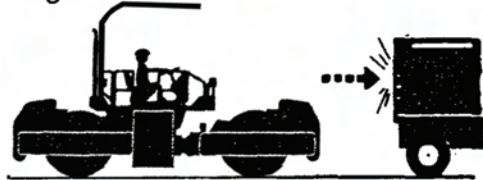
CLICK HERE TO **DOWNLOAD** THE COMPLETE MANUAL

⚠ WARNING: Negligence of these instructions can lead to accidents.

1. BASIC PRECAUTIONS FOR SAFETY

■ Know the stopping distance.

- When traveling on a road, bear in mind the stopping distance. Avoid excessive speed, and abrupt starting and stopping, and moving in a zigzag direction.



1.3 Before Starting the Engine

■ Adjust the operator's seat to your most effective operating position.

- Sit on the operator's seat. Adjust the seat so that your back will make contact with the seat back when the brake pedal is depressed to the full extent. Check to be sure that the brake pedal can be fully depressed without difficulty when you twist your body for reverse run.

■ Secure forward and backward visibilities.

- Adjust the rear view mirrors and under mirrors for good visibility. If dirty, clean them. If damaged, replace.

■ Check that the horn, lamps and gauges work correctly.

■ Before starting, make certain that each lever is in the neutral position and the parking brake is applied.

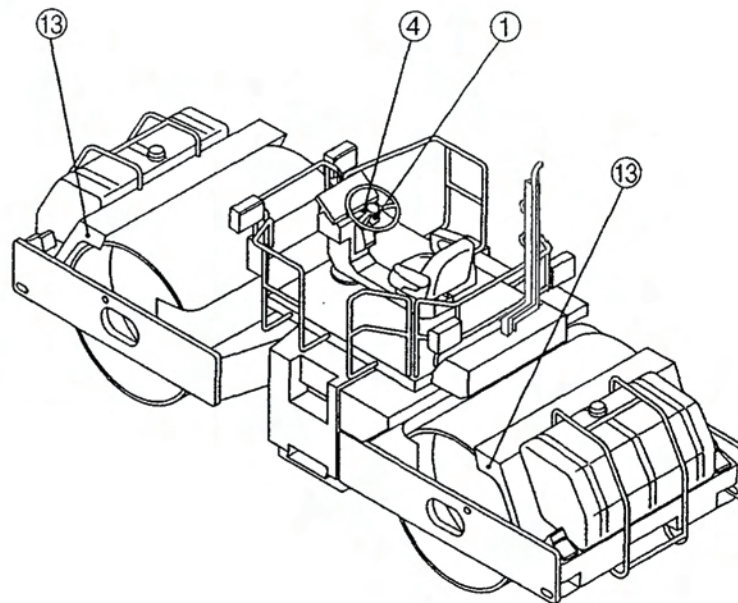
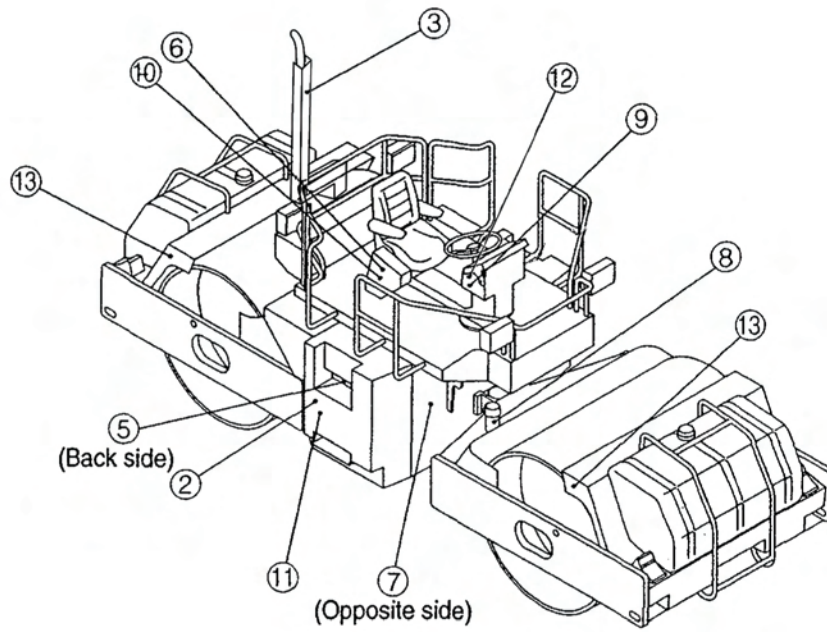
■ When starting, sound the horn.

- Before starting the engine. Make sure there is no one in the immediate vicinity and there are no obstructions around the machine.



⚠ WARNING: Negligence of these instructions can lead to accidents.

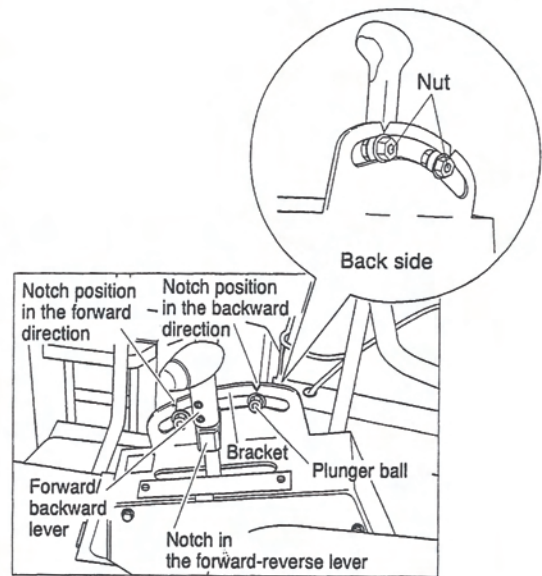
1. BASIC PRECAUTIONS FOR SAFETY



Speed control mechanism of forward - reverse lever

When the forward - reverse lever is moved forward from the neutral position, the speed of vehicle increases. However, the plunger ball fixed the bracket by the nut enters the notch in the forward - reverse lever during operation, making you feel some resistance, and you can stop the forward - reverse lever at that position to keep the vehicle speed constant.

The position of the plunger ball and the strength of resistance can be changed in the following manner.



Control method

- (1) Loosen the nut that is fixing the plunger ball to the bracket.
(Plunger balls are provided separately in the forward and backward directions.)
- (2) Move the respective plunger balls in the desired direction.
Vehicle speed in the forward - reverse directions when the center of the notch in the bracket coincides with the plunger ball
(set before shipment from the factory):
SW800-II — 7.5 km / h (4.7 mile / h)
- (3) Change of the strength of resistance when the plunger ball enters the notch.
When the plunger ball is moved toward the lever side — increasing the resistance
When the plunger ball is moved away from the lever side — decreasing the resistance
- (4) After setting the plunger ball position and the strength of resistance, tighten the nut to set the plunger ball position.

2.3.7 Check after Stopping the Engine

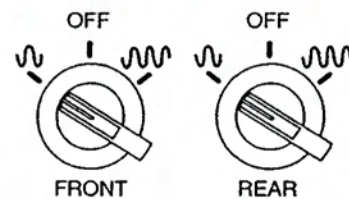
- (1) Perform the walk around checks for oil and water leakage, abnormal signs around the drums.
- (2) Fill the fuel tank.
- (3) Remove waste paper if any from the engine compartment, as this will pose a possible fire hazard.
- (4) Scrape mud or other materials from and around the drums.
- (5) For transportation, obey traffic regulations.

2.4 Vibratory Operation

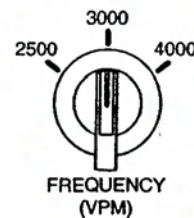
- (1) Select "FULL" position of throttle switch.

For SW800-II/SW850-II:

- (2) To generate vibration, set the vibrator switch in the LOW position (low amplitude) or HIGH (high amplitude).



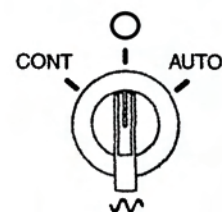
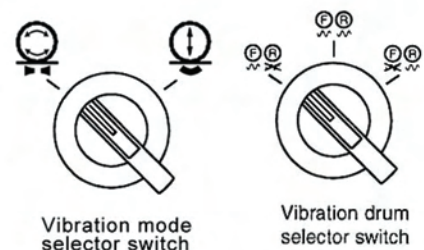
- (3) Turning the vibration frequency selector switch allows you to select the frequency. Turning the vibration frequency selector switch to the left causes the vibration to take place at 2500vpm, to the center at 3000vpm and to the right at 4000vpm respectively. In case either one of the vibration switches (front or rear) remains placed at high amplitude side, however, even if the vibration frequency selector switch is turned to right, vibration takes place at 3000vpm.



SW800-II/SW850-II

For SW850ND-II:

- (2) Select the vibration Drum and vibration Type. (OSC. or ORD.)
- (3) To generate vibration, set the vibration CONT-OFF-AUTO switch in the 'CONT' or 'AUTO' position.



SW850ND-II

2. OPERATION

SW800/850/850ND-II

CAPASITY LITER (Q)

Ambient temperature	-33°C (-27.4°F)	-26°C (-14.°F)	-20°C (-4°F)	-16°C (3.2°F)
Amount of anti-freeze	8.5L(9.0)	7.7L(8.1)	6.8L(7.2)	6.0L(6.3)
Amount of water	8.5L(9.0)	9.3L(9.9)	10.2L(10.8)	11L(11.7)
Ratio	50%	45%	40%	35%

Long Life Coolant is used in our roller. Useful life of this antifreeze coolant is 2 years.

IMPORTANT

Use of a high consistency antifreeze coolant in summer time can cause the engine to overheat depending upon job conditions. Use a coolant with the water-antifreeze ratio of 65 to 35.

2.12.3 Battery

⚠ WARNING

- Batteries generate explosive gases. Do not use an open flame close to batteries.
- The battery electrolyte is corrosive. Keep the electrolyte away from your eyes and skin. If you are affected by the electrolyte, flush with large quantities of water and get medical help.

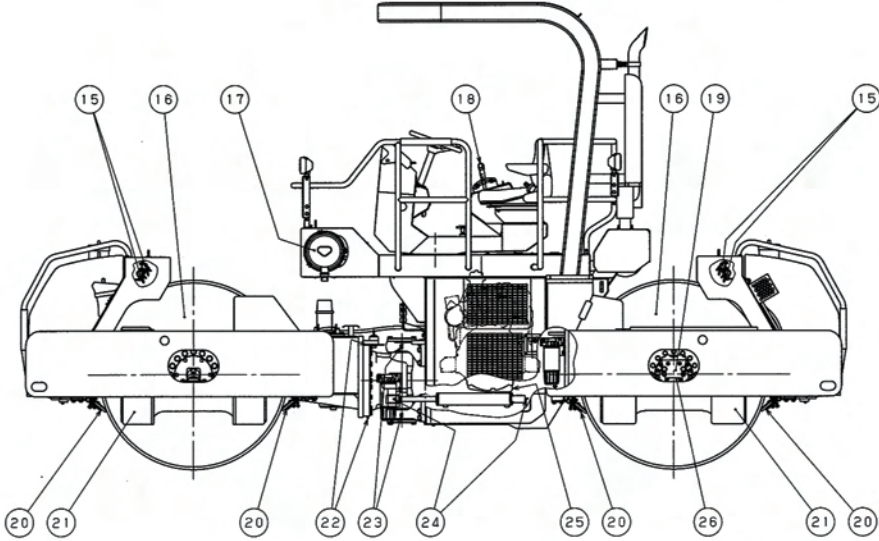
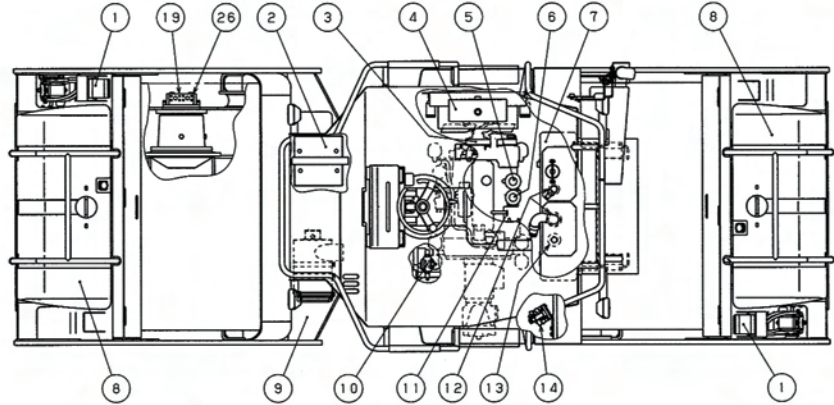
At low temperature, batteries are less efficient. The level of charge is lowered and batteries will tend to freeze. Maintain batteries full charged wherever practicable, and give attention to heat insulation at night for the next day's operation.

For the level of charge, check the specific gravity of electrolyte and use the following table of conversion.

Temperature	20°C (68°F)	0°C (32°F)	-10°C (14°F)	-20°C (-4°F)
Level of charge (%)				
100		1.29	1.30	1.31
90	1.26	1.27	1.28	1.29
80	1.24	1.25	1.26	1.27
75	1.23	1.24	1.25	1.26

3. PERIODICAL MAINTENANCE

3.3 Periodical Maintenance Points

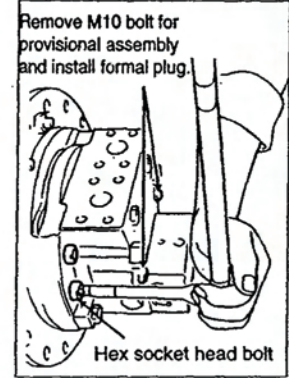
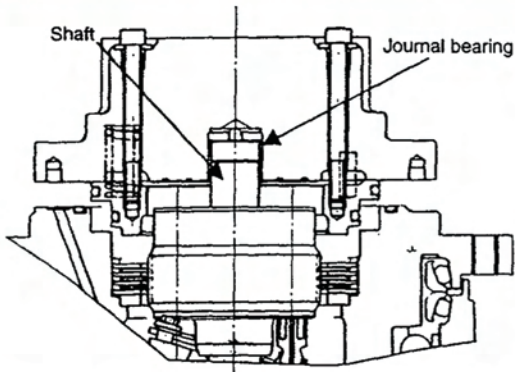


3. PERIODICAL MAINTENANCE

(7) Tighten this sub-assembled end cap to the housing with hex socket head bolt.

⚠ CAUTION

Install as straightly as possible so that the shaft end does not damage journal bearing which has been press-fit to end cap.



<Tightening torque for the hex socket head bolt>

Model of Motor	SW800-II	SW850/850ND-II
Plug size	M14x45L	M16x50L
Tightening torque	107-136 ft lb	170-214 ft lb

<Tightening torque for the hex socket head bolt>

Model of Motor	Common to SW800-II SW850-II SW850ND-II
Plug size	9/16-18 UNF
Tightening torque	40-70-ft lb

CLICK HERE TO **DOWNLOAD** THE COMPLETE MANUAL

- Thank you very much for reading the preview of the manual.
- You can download the complete manual from: www.heydownloads.com by clicking the link below



- Please note: If there is no response to CLICKING the link, please download this PDF first and then click on it.

CLICK HERE TO **DOWNLOAD** THE COMPLETE MANUAL