



BT Prime-Mover

RCX25,RCX30C,RCX30,RCX35 RCX40,RCX45,RCX50

● Master Parts Manuals

310592-000 2000_March



CLICK HERE TO **DOWNLOAD** THE COMPLETE MANUAL

- Thank you very much for reading the preview of the manual.
- You can download the complete manual from: www.heydownloads.com by clicking the link below



- Please note: If there is no response to CLICKING the link, please download this PDF first and then click on it.

CLICK HERE TO **DOWNLOAD** THE COMPLETE MANUAL

70-000

Section

80-000

Section

90-000

Section

90-010 Sideshifter assembly.....219

10000

Tools

10010-000 Special tools and lubrications223

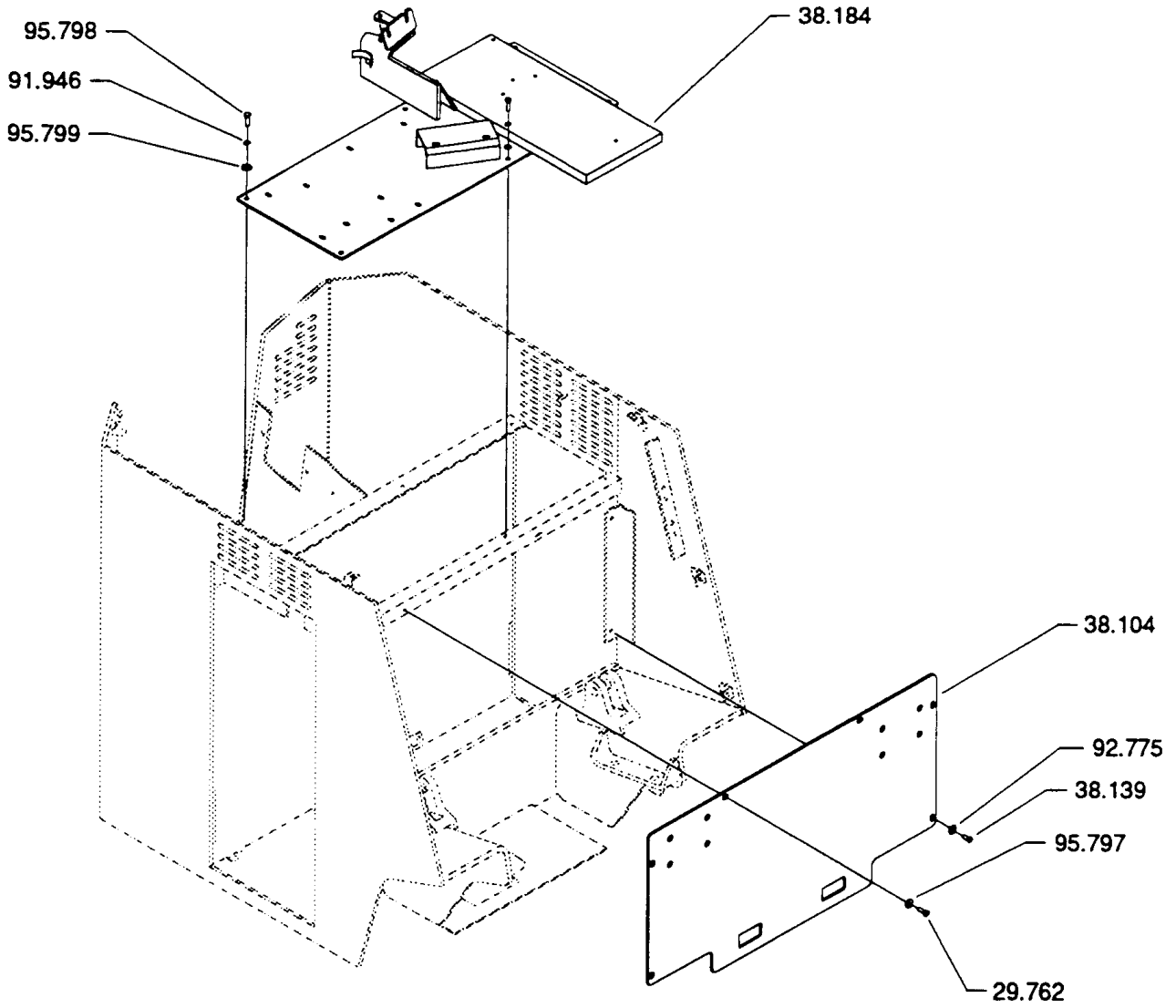
11000

Alphabetical Index and Numerical Index

RCX Electical Truck Alphabetical Index.....227

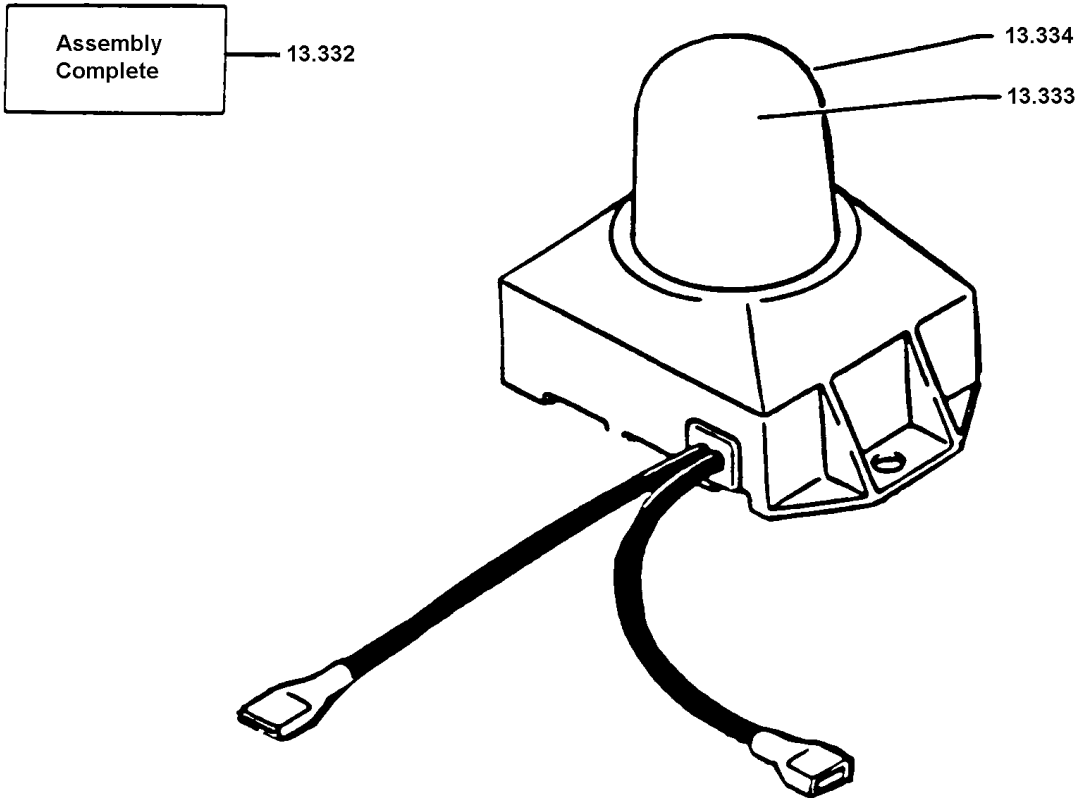
RCX Electical Truck Numerical Index241

12-128

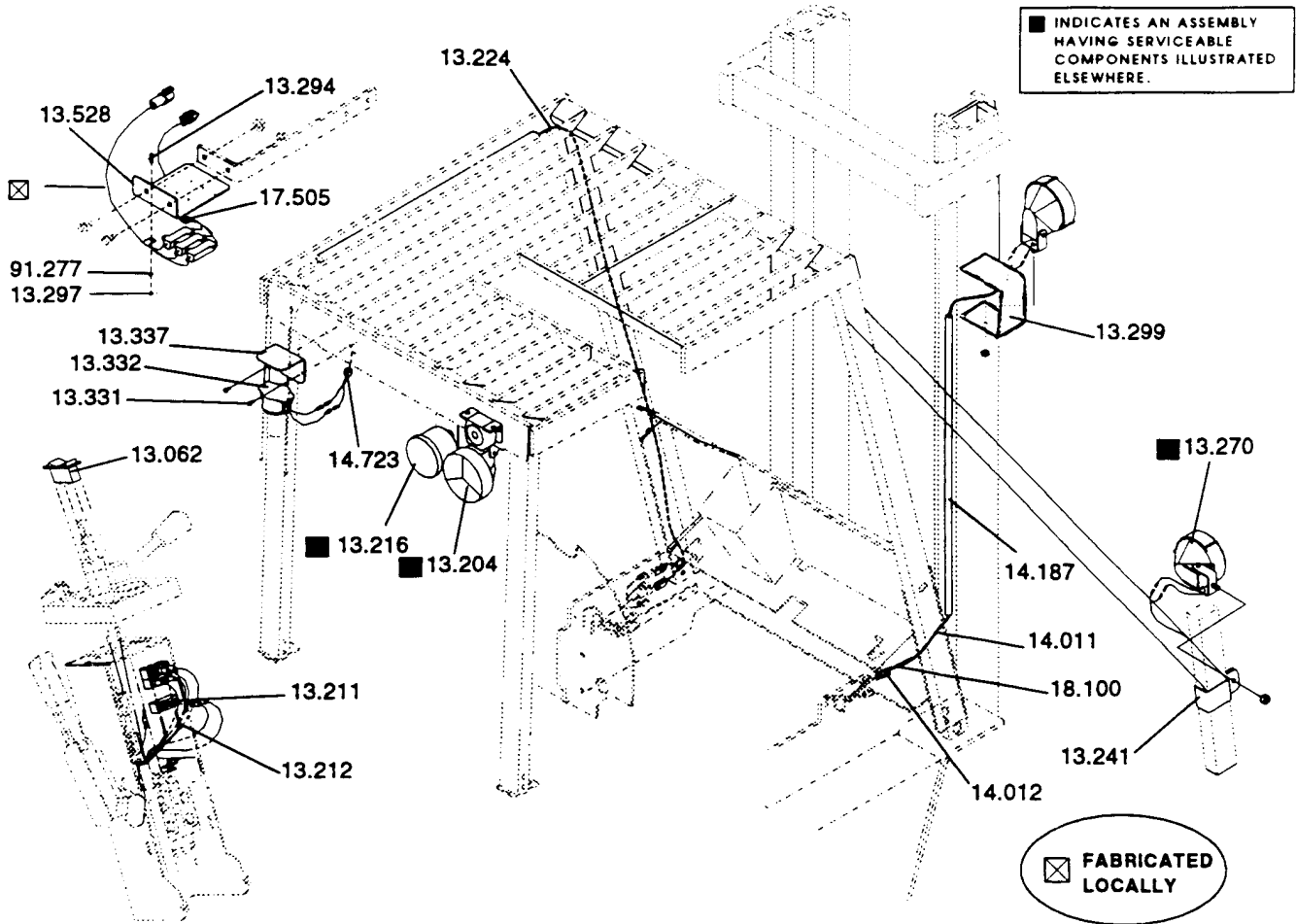


13-332

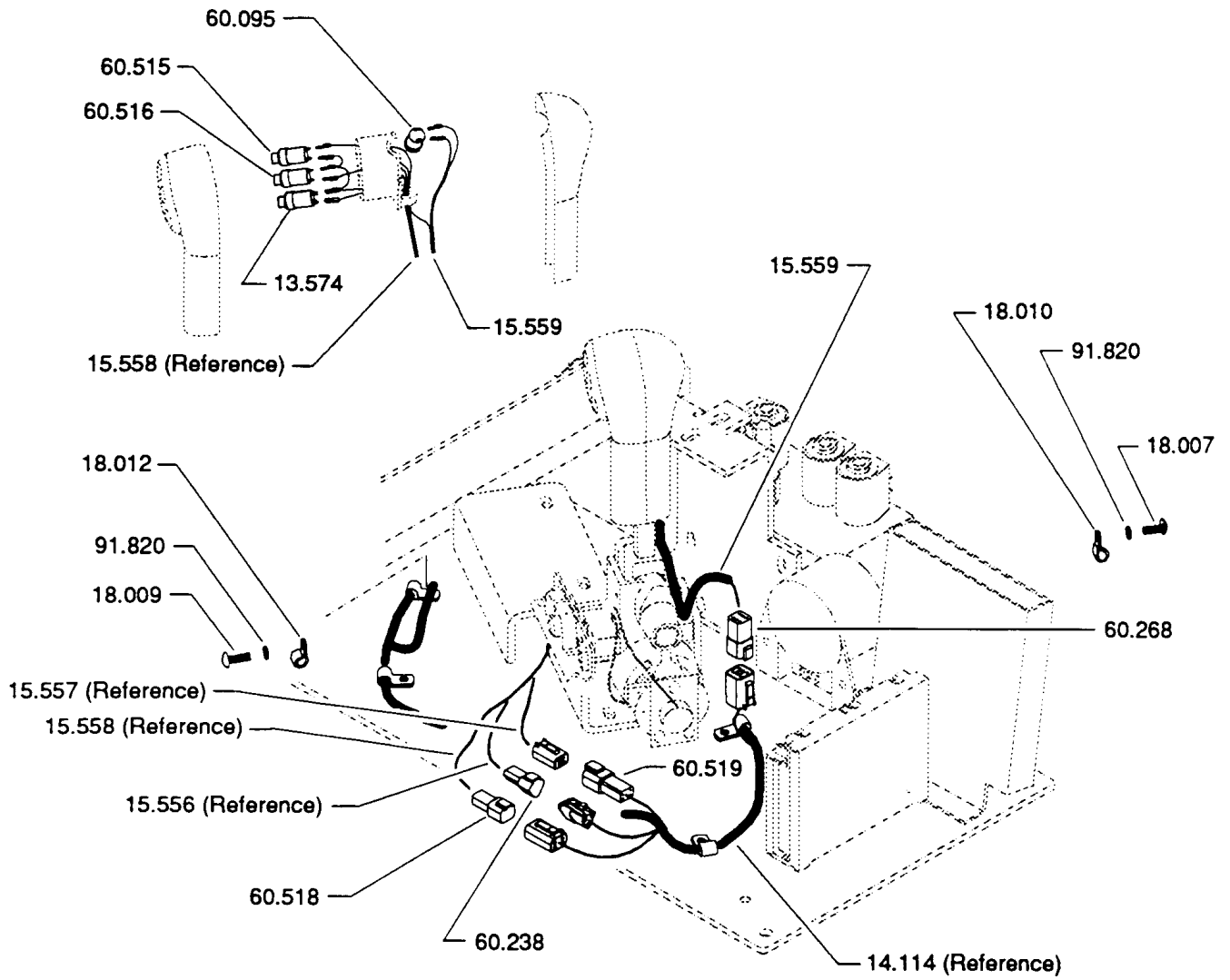
13-332



13-490



14-790



16-077

16-077

ASSEMBLY COMPLETE

16.000

BRUSH HOLDER AND BRUSH KIT INCLUDES ITEMS MARKED "B"

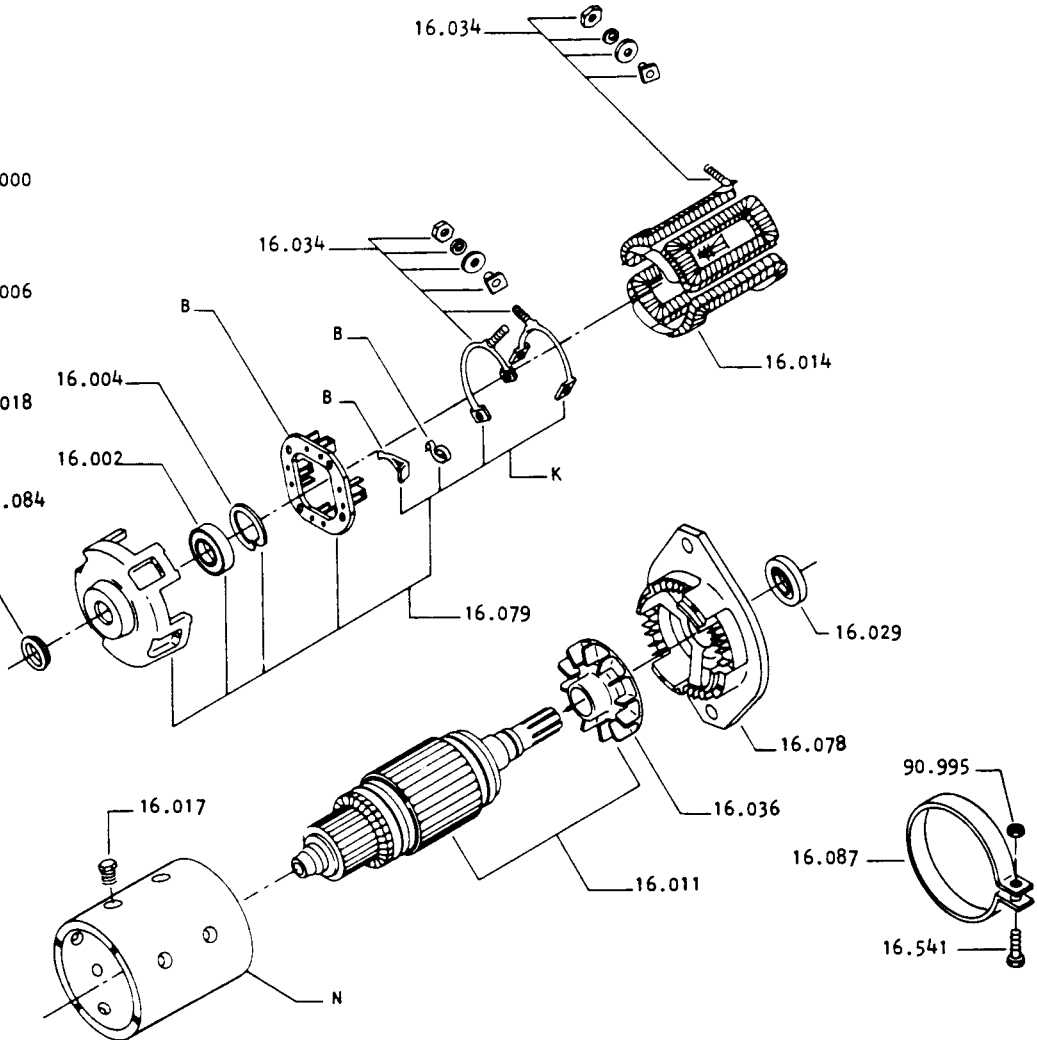
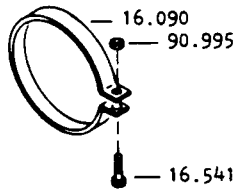
16.006

BRUSH AND SPRING KIT INCLUDES ITEMS MARKED "K"

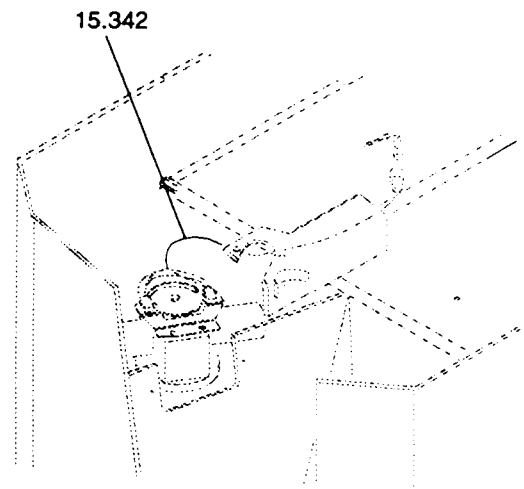
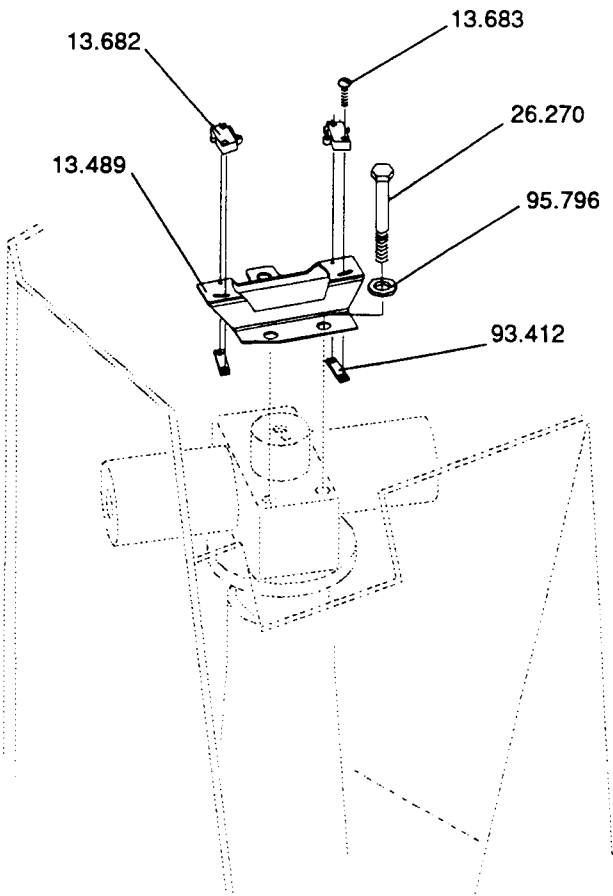
16.018

NOTE: NON SERVICEABLE ITEMS MARKED "N"

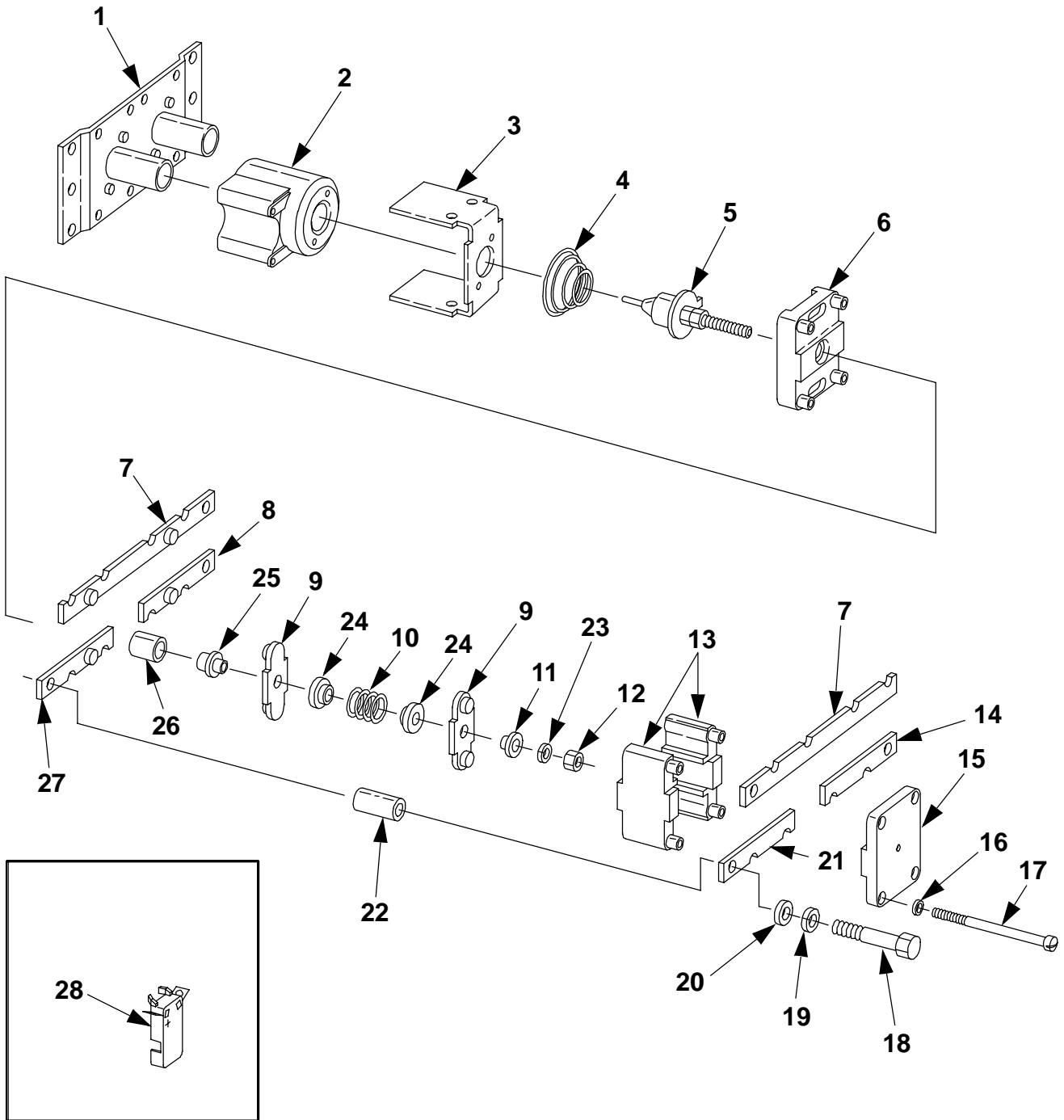
16.084



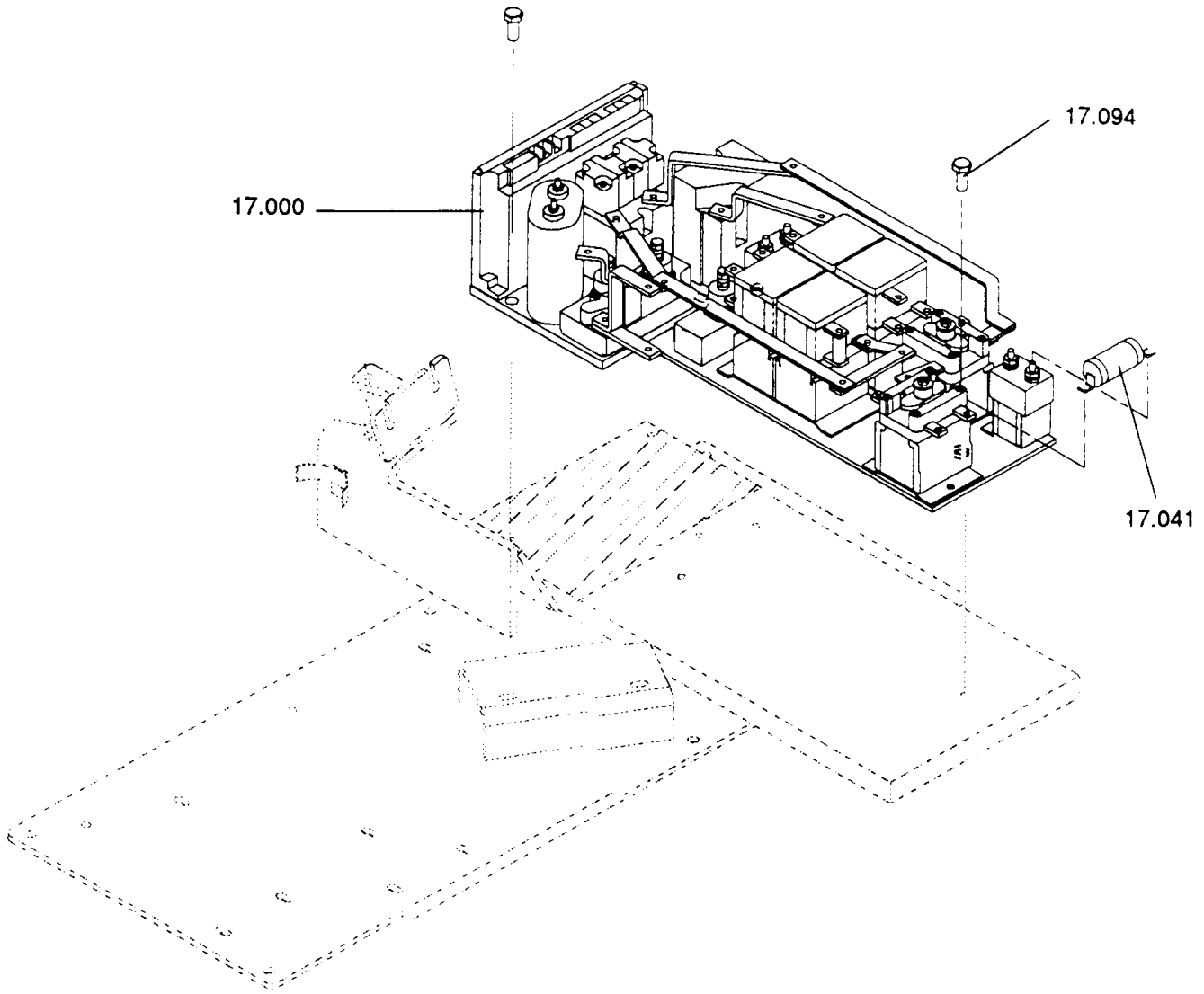
17-377



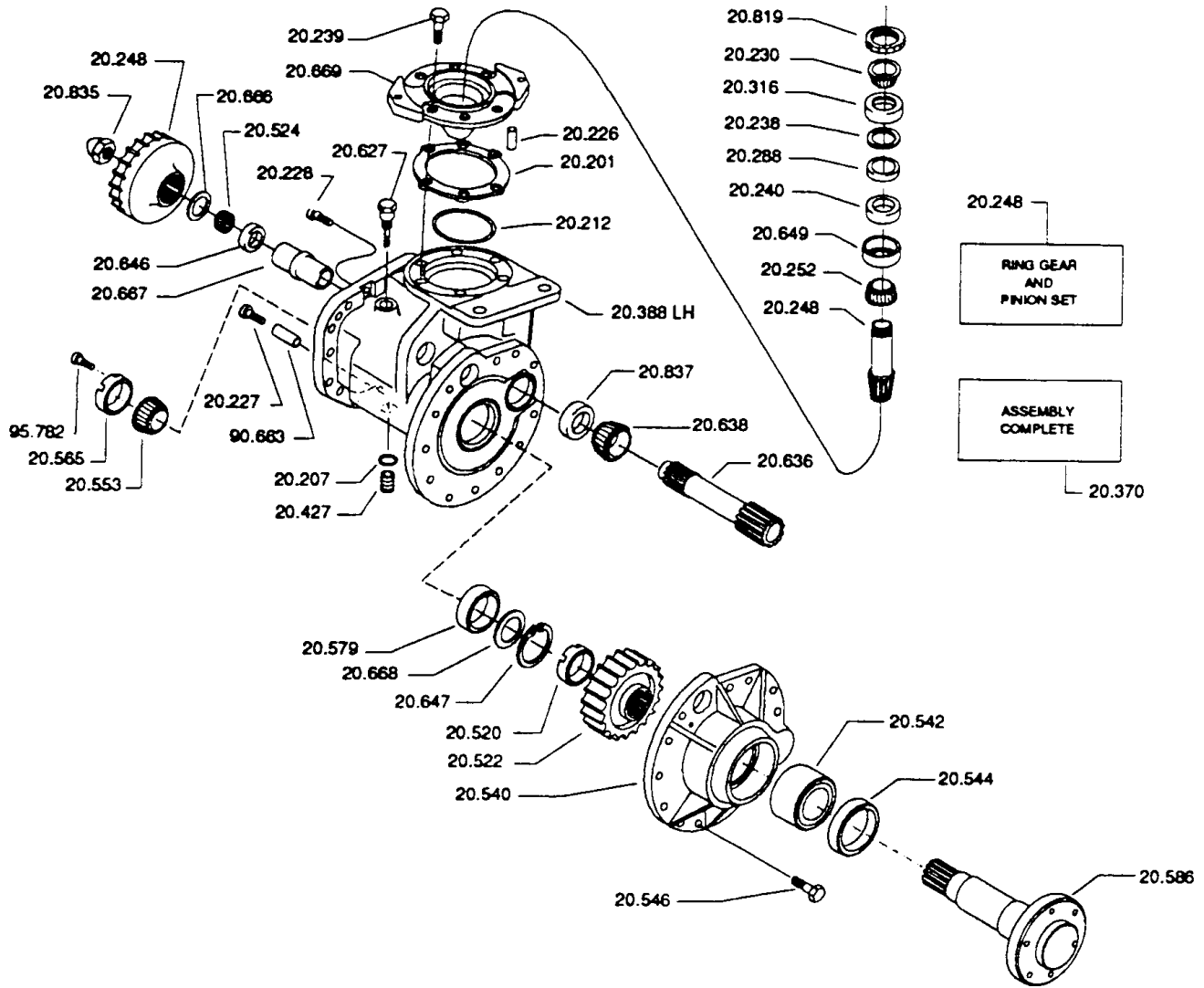
19-603



19-656

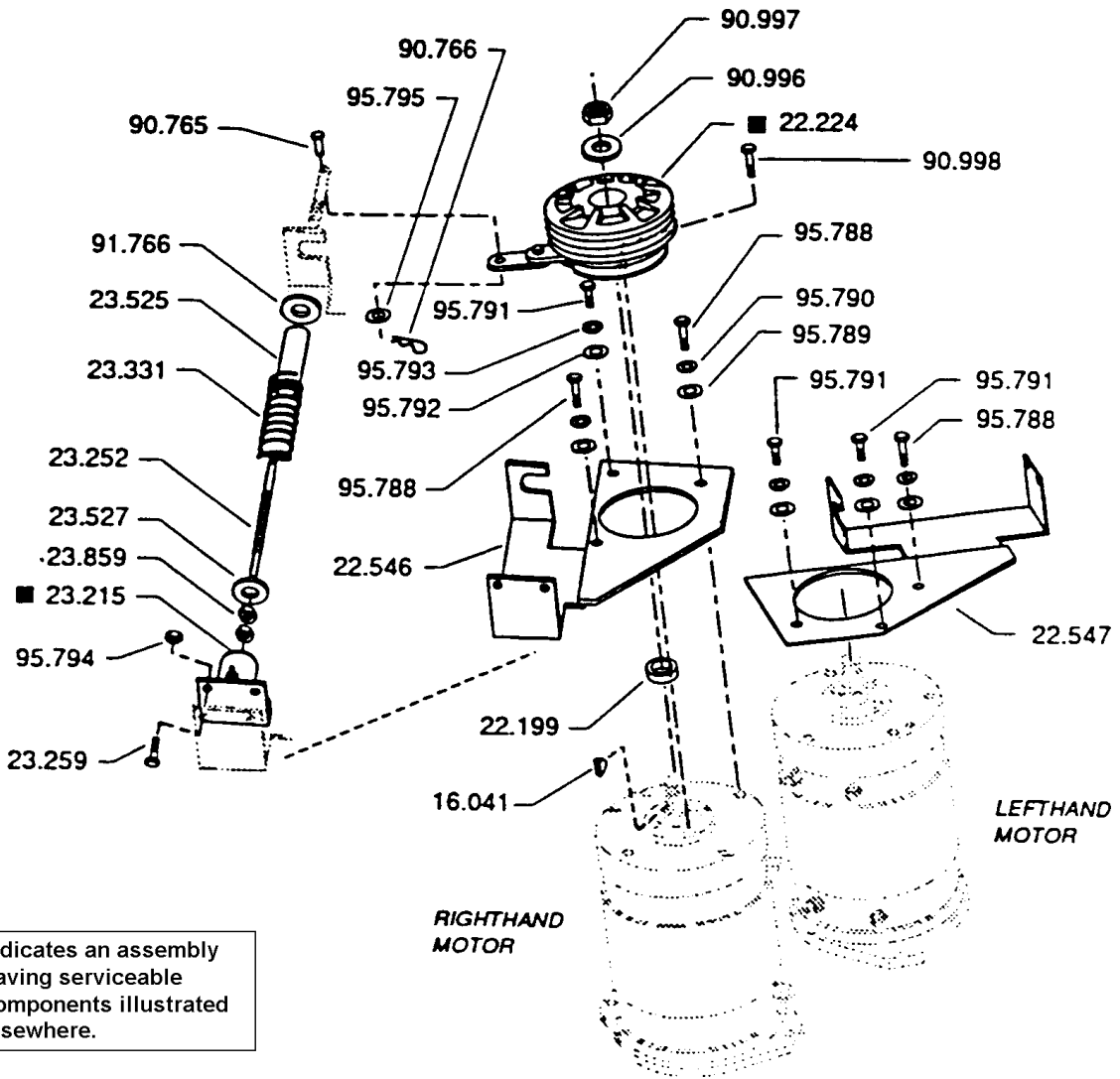


20-439



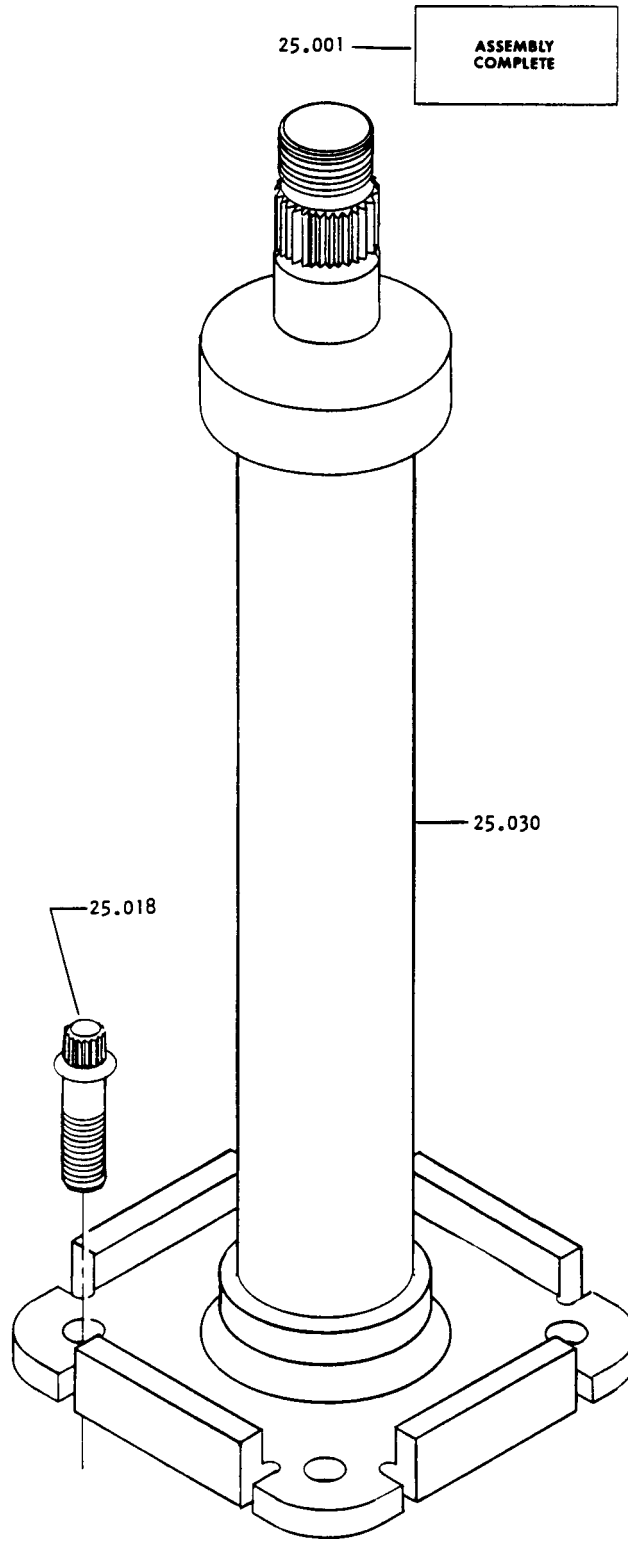
ITEM #	PART #	NAME	# FOR ASSY.	UNITS
20.370	305913-281	Drive axle assembly	1	
20.201	305913-340	Shim 0.1mm	As Req'd.	
20.201	305913-341	Shim 0.3mm	As Req'd.	
20.201	305913-305	Shim 0.5mm	As Req'd.	
20.201	305913-342	Shim 0.15mm	As Req'd.	
20.207	305913-306	O-ring	1	
20.212	305913-307	O-ring	1	
20.226	305913-308	Tube	2	

23-748



25-309

25-309



CLICK HERE TO **DOWNLOAD** THE COMPLETE MANUAL

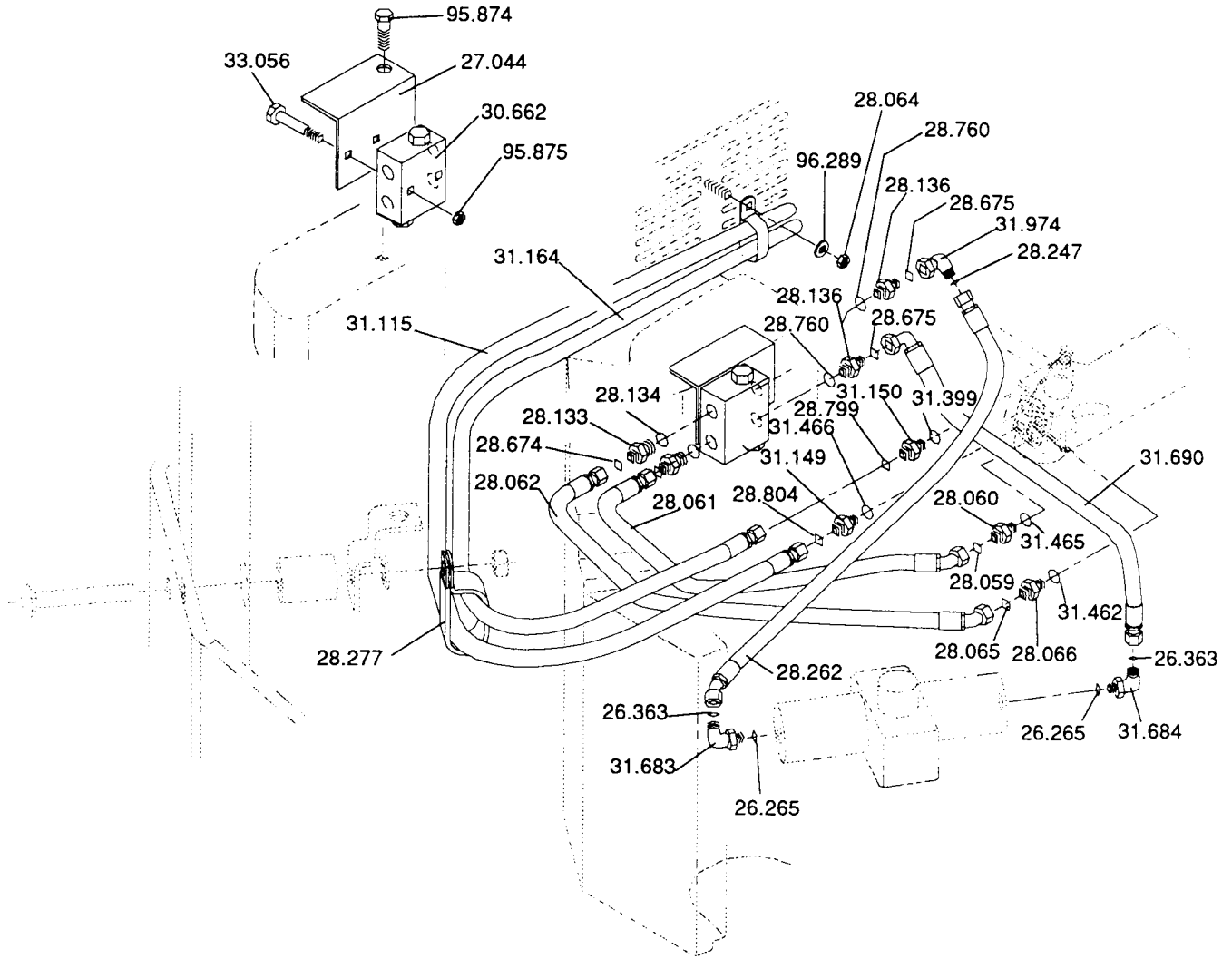
- Thank you very much for reading the preview of the manual.
- You can download the complete manual from: www.heydownloads.com by clicking the link below



- Please note: If there is no response to CLICKING the link, please download this PDF first and then click on it.

CLICK HERE TO **DOWNLOAD** THE COMPLETE MANUAL

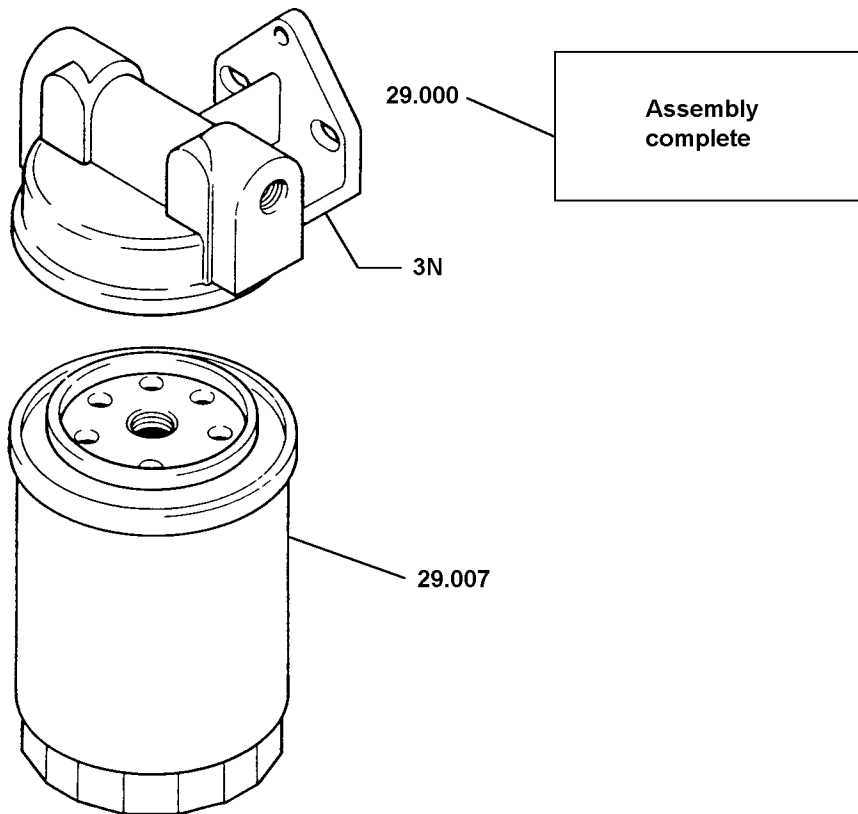
26-607



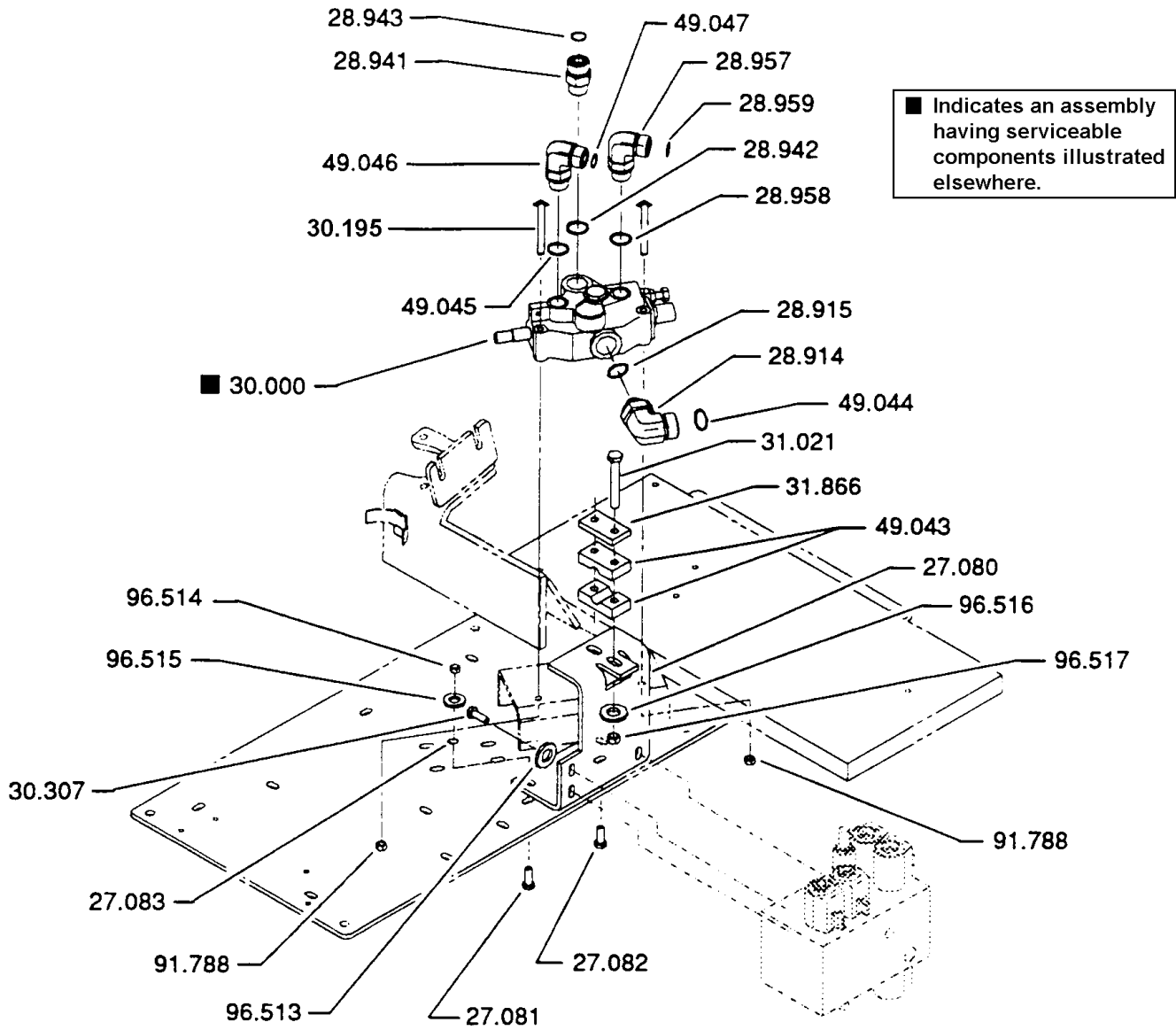
29-317

Serial Number
2703001 - UP

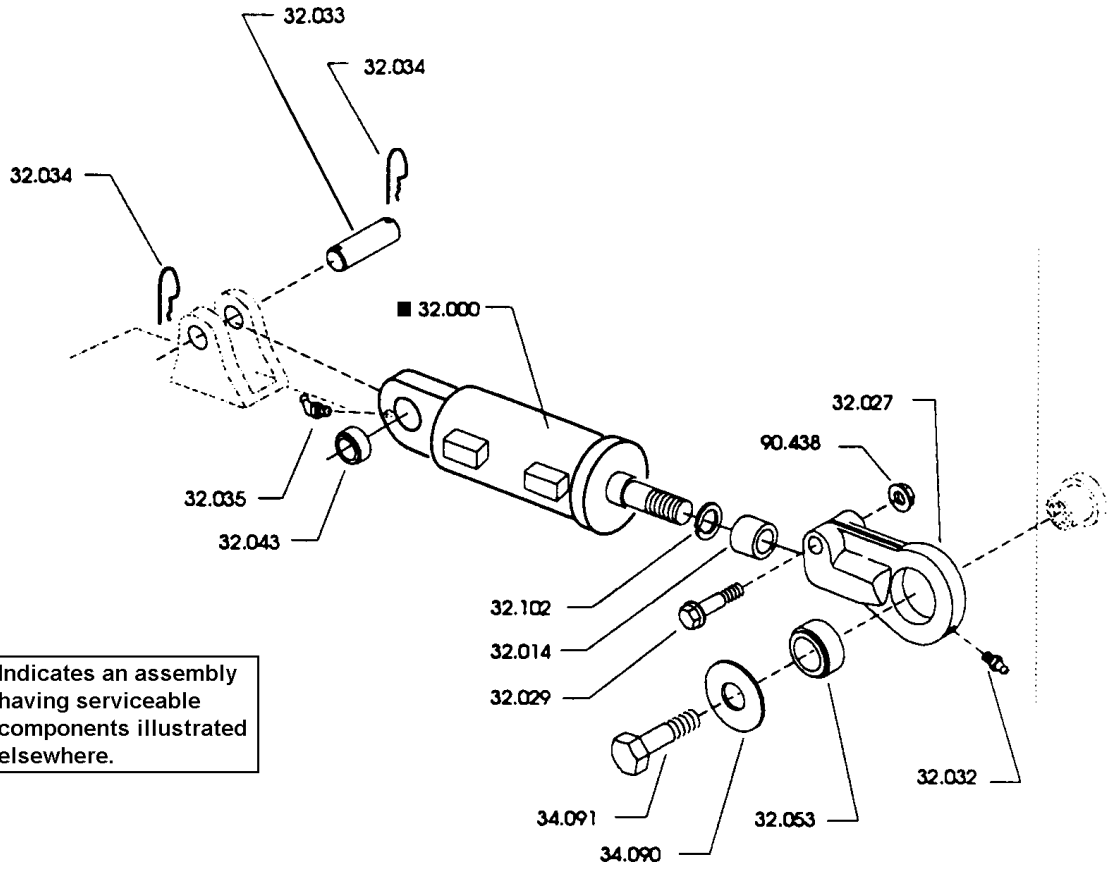
Note:
Non serviceable
items marked "N"



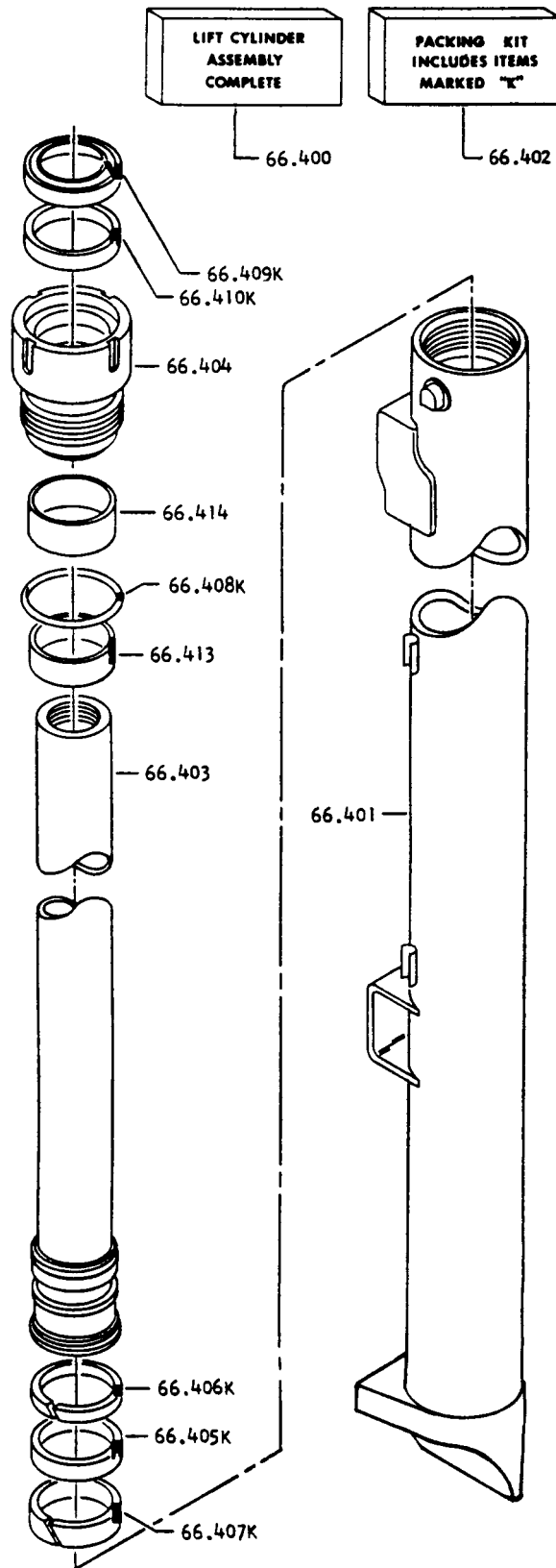
30-655



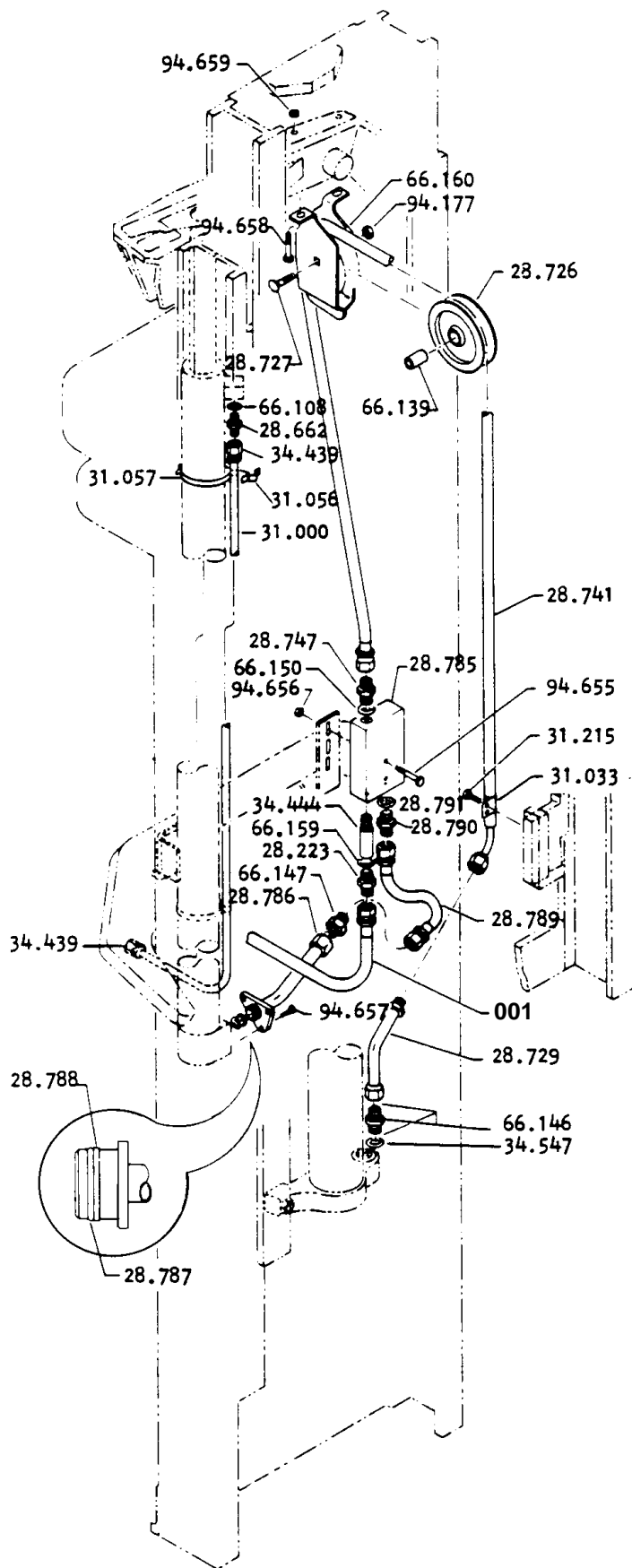
32-093



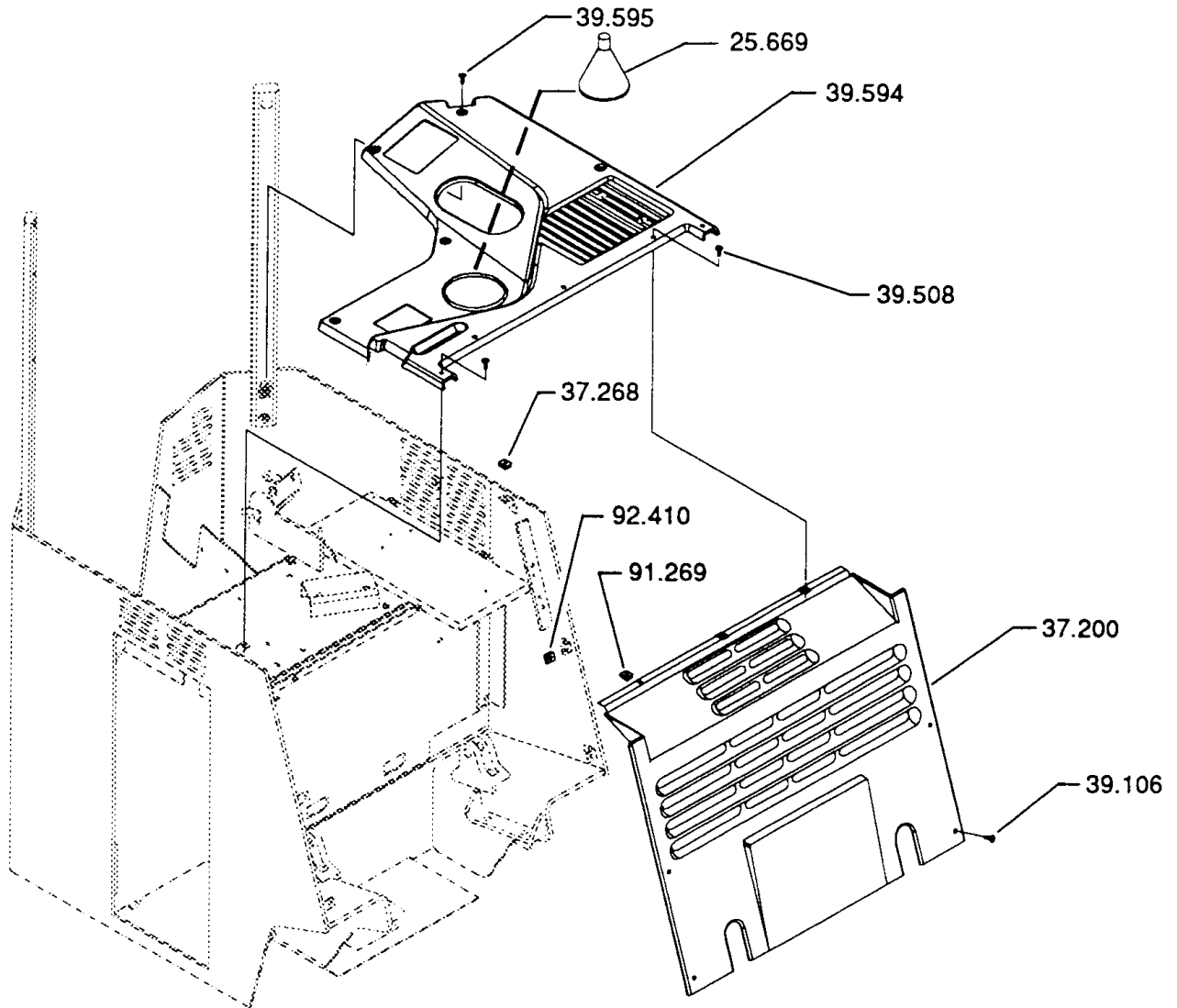
34-360



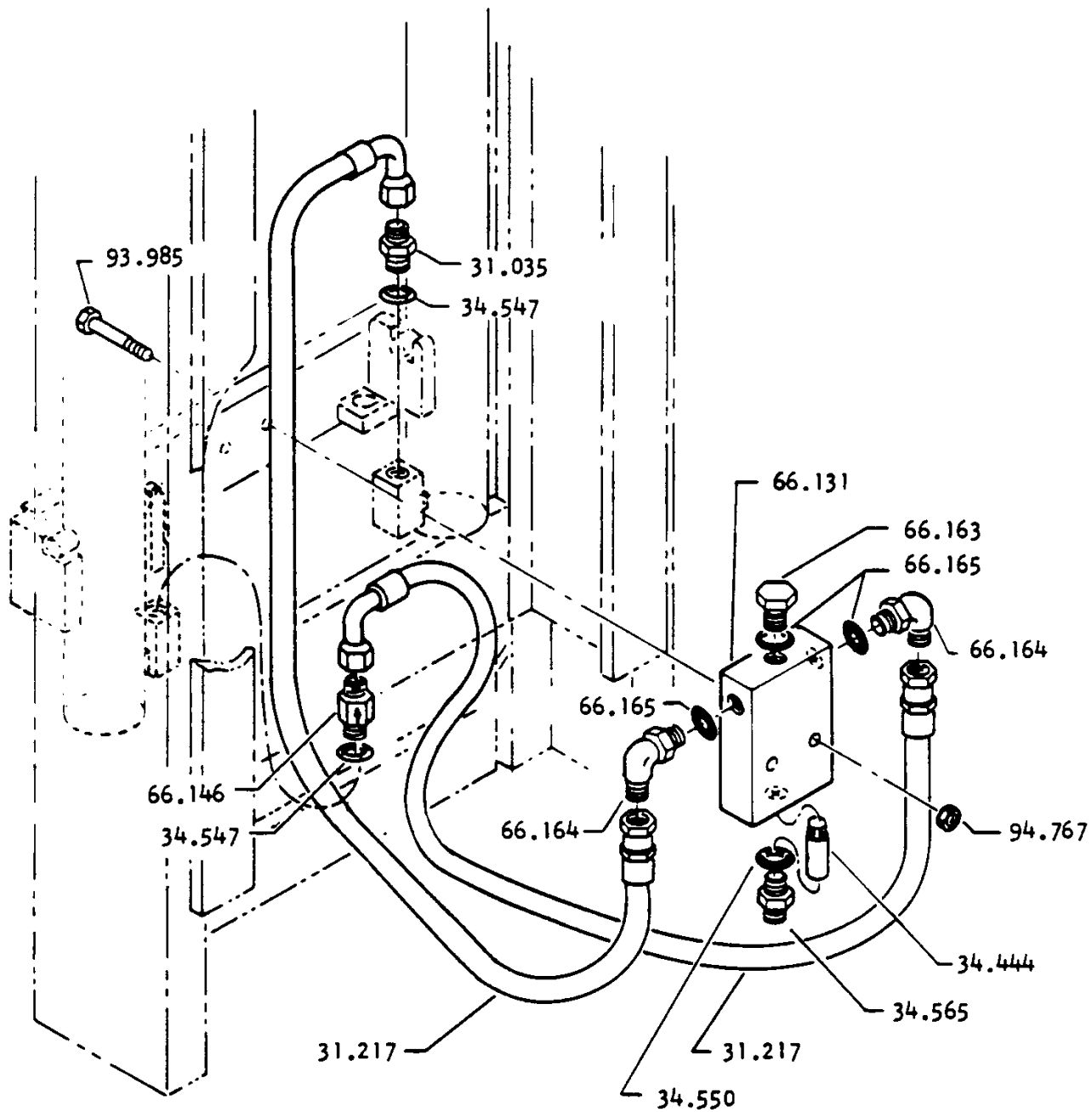
34-892



39-362



66-406



RCX ELECTRIC TRUCK

Alphabetical Index

Description	Part#	FIG.#	Item#	Description	Part#	FIG.#	Item#
Screw, cap	305913-893	39-545	37.966	Seal	305914-281	26-608	31.044
Screw, cap	305913-896	39-545	39.934	Seal	305914-281	26-609	31.044
Screw, cap	305913-897	39-545	39.936	Seat	200094	19-603	24
Screw, cap	305913-899	39-545	39.953	Seat	200094	19-606	17.106
Screw, cap	305913-934	50-691	50.007	Seat	200094	19-607	17.174
Screw, cap	305913-935	50-691	50.004	Seat	305913-240	19-606	17.116
Screw, cap	305913-935	50-691	50.070	Seat	305913-240	19-607	17.173
Screw, cap	305913-935	50-691	50.572	Seat	305913-443	25-319	26.253
Screw, cap	305913-944	50-691	50.530	Set, centering spring	305913-432	25-319	25.271
Screw, cap	305913-946	50-691	50.610	Set, hand	204317	10010-000	3
Screw, cap	305913-956	50-691	53.804	Shaft	305913-017	06-445	60.010
Screw, cap	305913-978	66-104	34.159	Shaft	305913-329	20-438	20.586
Screw, cap	305914-001	66-406	93.985	Shaft	305913-329	20-439	20.586
Screw, cap	305914-090	14-801	15.580	Shaft	305913-330	20-438	20.636
Screw, cap	305914-092	14-801	18.146	Shaft	305913-330	20-439	20.636
Screw, cap	305914-117	18-315	13	Shaft	305913-436	25-319	25.410
Screw, cap	305914-118	18-315	14	Shaft	305913-451	26-164	29.215
Screw, cap	305914-126	12-155	95.080	Shaft	305913-459	26-164	29.286
Screw, cap	305914-159	26-184	16.225	Shaft	305913-649	34-163	34.085
Screw, cap	305914-163	26-184	16.706	Shaft	305913-649	34-163b	34.085
Screw, cap	305914-167	26-184	29.106	Shaft	305913-824	34-898	66.138
Screw, cap	305914-192	34-746	34.998	Shaft	305913-840	34-932	34.320
Screw, cap RCX25-40	305913-792	34-892	94.658	Shaft	305913-980	66-303	34.085
Screw, cap RCX45-50	305913-800	34-892	94.658	Shaft	305914-262	23-961	23.101
Screw, machine	201372	19-603	17	Sheave	305913-648	34-163	34.084
Screw, cap	305913-210	25-030	26.270	Sheave	305913-648	34-163b	34.084
Screw, cap	305913-411	25-030	25.034	Sheave	305913-764	34-892	28.726
Screw, cap	305913-414	25-030	25.221	Sheave	305913-818	34-898	34.153
Screw, cap	305913-422	25-030	95.603	Sheave	305913-818	66-303	34.084
Seal	305913-156	16-079	16.029	Sheave	305913-933	50-691	50.006
seal	305913-168	16-077	16.029	Sheave	305913-933	50-691	50.009
Seal	305913-168	16-079	16.029	Sheave, cable	305914-110	18-315	6
Seal	305913-168	16-080	16.029	Sheave, hose	305914-111	18-315	7
Seal	305913-181	30-656	28.831	Shield	305913-483	26-762	26.227
Seal	305913-181	30-656	28.832	Shield	305913-501	13-436	14.179
Seal	305913-181	30-656	28.836	Shim	305913-019	06-445	60.420
Seal	305913-181	30-656	28.837	Shim	305913-019	06-445	60.498
Seal	305913-181	30-656	30.563	Shim	305913-391	23-867	26.353
Seal	305913-181	30-656	30.565	Shim	305913-638	34-163	34.014
Seal	305913-325	20-438	20.544	Shim	305913-638	34-163b	34.014
Seal	305913-325	20-439	20.544	Shim	305913-638	34-932	34.332
Seal	305913-473	26-246	26.360	Shim	305913-638	34-932	34.333
Seal	305913-521	26-184	28.802	Shim	305913-638	66-104	34.014
Seal	305913-521	26-184	31.421	Shim	305913-979	66-104	66.167
Seal	305913-521	30-656	34.559	Shim (Solid)	305913-555	32-093	32.102
Seal	305913-559	26-607	28.134	Shim (Split)	305914-291	32-093	32.102
Seal	305913-559	26-607	28.760	Shim 0.1 mm	305913-340	20-438	20.201
Seal	305913-559	30-656	33.504	Shim 0.15 mm	305913-342	20-438	20.201
Seal	305913-559	30-656	33.513	Shim 0.15mm	305913-342	20-439	20.201
Seal	305913-559	30-656	51.340	Shim 0.1mm	305913-340	20-439	20.201
Seal	305913-559	31-331	31.160	Shim 0.3 mm	305913-341	20-438	20.201
Seal	305913-564	26-608	31.830	Shim 0.3mm	305913-341	20-439	20.201
Seal	305913-564	26-609	31.830	Shim 0.5 mm	305913-305	20-438	20.201
Seal	305913-577	26-184	28.751	Shim 0.5mm	305913-305	20-439	20.201
Seal	305913-577	26-184	31.373	Shoe	305913-347	22-202	22.404
Seal	305913-577	26-608	31.047	Shunt, current limiting	305913-223	19-470	17.850
Seal	305913-577	26-609	31.047	Sideshifter assembly, 37"	306313-000	90-010	*
Seal	305913-577	30-656	27.025	Sideshifter assembly, 41"	306314-000	90-010	*
Seal	305913-577	30-656	33.762	Sleeve	305913-338	20-438	90.663
Seal	305914-071	26-246	26.379	Sleeve	305913-338	20-439	90.663
Seal	305914-166	26-184	28.801	Sleeve	49804-00	40-225	6
Seal	305914-166	26-607	28.799	Sleeve, steer gear valve	USE 25.105	25-319	20N
Seal	305914-166	26-607	28.804	Smooth Cushion Rubber 18x7x12.125"	305913-353	23-048	23.016
Seal	305914-169	26-184	31.013	Smooth Cushion Rubber 18x7x12.125"	305914-061	23-048	23.030
Seal	305914-181	26-607	26.363	Smooth Cushion Rubber 18x8x12.125"	305914-204	23-048	23.016
Seal	305914-181	26-607	28.059	Smooth Cushion Rubber 18x9x12.125"	305913-356	23-048	23.016
Seal	305914-181	26-607	28.065	Smooth Cushion Rubber 18x9x12.125"	305914-063	23-048	23.030
Seal	305914-181	26-607	28.247	Snap ring	305913-193	16-166	16.555
Seal	305914-181	26-607	28.674	Snap ring	305913-194	16-166	16.555
Seal	305914-181	26-607	28.675	Snap Ring	305913-351	22-202	23.330
Seal	305914-181	31-331	31.364	Snap Ring	305913-456	26-164	29.281
Seal	305914-218	26-607	26.265	Snap Ring	305913-456	26-164	29.285
Seal	305914-218	26-607	31.399	Solenoid (1.5 GPM)	305913-589	33-134	33.233
Seal	305914-218	26-607	31.462	Solid Pneumatic 18x7x12.125"	305914-157	23-048	23.030
Seal	305914-218	26-607	31.465	Solid Pneumatic 18x7x12.125"	305914-158	23-048	23.030
Seal	305914-218	26-607	31.466	Solid Pneumatic 18x9x12.125"	305914-156	23-048	23.030
Seal	305914-218	30-656	31.065	Spacer	305913-284	20-363	20.379
Seal	305914-218	30-656	31.152	Spacer	305913-284	20-364	20.379
Seal	305914-235	30-656	31.919	Spacer	305913-285	20-364	22.199
Seal	305914-235	30-656	32.112	Spacer	305913-285	23-748	22.199

RCX ELECTRIC TRUCK

NUMERICAL INDEX

PART #	FIG. #	ITEM #	PART #	FIG #	ITEM #
305913-309	20-438	20.546	305913-337	20-438	20.835
305913-309	20-439	20.227	305913-337	20-439	20.835
305913-309	20-439	20.546	305913-338	20-438	90.663
305913-310	20-438	20.228	305913-338	20-439	90.663
305913-310	20-438	20.239	305913-339	20-438	95.782
305913-310	20-439	20.228	305913-339	20-439	95.782
305913-310	20-439	20.239	305913-340	20-438	20.201
305913-311	20-438	20.230	305913-340	20-439	20.201
305913-311	20-438	20.252	305913-341	20-438	20.201
305913-311	20-439	20.230	305913-341	20-439	20.201
305913-311	20-439	20.252	305913-342	20-438	20.201
305913-312	20-438	20.236	305913-342	20-439	20.201
305913-313	20-438	20.238	305913-343	20-439	20.388
305913-313	20-439	20.238	305913-344	20-439	20.540
305913-314	20-438	20.240	305913-345	20-439	20.627
305913-314	20-439	20.240	305913-346	20-439	20.669
305913-315	20-438	20.248	305913-347	22-202	22.404
305913-315	20-439	20.248	305913-348	22-202	22.406
305913-316	20-438	20.288	305913-349	22-202	22.407
305913-316	20-439	20.288	305913-350	22-202	23.319
305913-317	20-438	20.316	305913-351	22-202	23.330
305913-317	20-438	20.649	305913-352	22-202	23.334
305913-317	20-439	20.316	305913-353	23-048	23.016
305913-317	20-439	20.649	305913-354	23-048	23.020
305913-318	20-438	20.387	305913-355	23-048	23.016
305913-319	20-438	20.427	305913-356	23-048	23.016
305913-319	20-439	20.427	305913-357	23-048	23.016
305913-320	20-438	20.520	305913-358	23-048	23.016
305913-320	20-439	20.520	305913-359	23-048	23.016
305913-321	20-438	20.522	305913-361	23-048	23.016
305913-321	20-439	20.522	305913-362	23-048	23.016
305913-322	20-438	20.524	305913-363	23-048	23.016
305913-322	20-438	20.638	305913-364	23-402	22.094
305913-322	20-439	20.524	305913-365	23-402	23.223
305913-322	20-439	20.638	305913-366	23-520	13.142
305913-323	20-438	20.539	305913-367	23-520	22.071
305913-324	20-438	20.542	305913-367	23-979	22.071
305913-324	20-439	20.542	305913-368	23-520	23.175
305913-325	20-438	20.544	305913-369	23-520	23.617
305913-325	20-439	20.544	305913-369	23-979	23.617
305913-326	20-438	20.553	305913-370	23-520	23.901
305913-326	20-439	20.553	305913-370	23-979	23.901
305913-327	20-438	20.565	305913-373	20-363	22.546
305913-327	20-439	20.565	305913-374	20-363	22.547
305913-328	20-438	20.579	305913-384	23-867	23.025
305913-328	20-439	20.579	305913-385	23-048	23.335
305913-329	20-438	20.586	305913-386	23-867	26.134
305913-329	20-439	20.586	305913-387	23-867	26.140
305913-330	20-438	20.636	305913-388	23-867	26.222
305913-330	20-439	20.636	305913-389	23-867	26.223
305913-331	20-438	20.646	305913-390	23-867	26.352
305913-331	20-438	20.837	305913-390	32-093	32.032
305913-331	20-439	20.646	305913-391	23-867	26.353
305913-331	20-439	20.837	305913-392	23-961	23.100
305913-332	20-438	20.647	305913-393	23-961	23.150
305913-332	20-439	20.647	305913-394	23-961	23.434
305913-333	20-438	20.666	305913-395	23-979	13.142
305913-333	20-439	20.666	305913-396	23-979	22.073
305913-334	20-438	20.667	305913-397	23-979	22.338
305913-334	20-439	20.667	305913-398	23-979	22.366
305913-335	20-438	20.668	305913-399	23-979	22.452
305913-335	20-439	20.668	305913-400	23-979	22.604
305913-336	20-438	20.819	305913-401	23-979	23.173
305913-336	20-439	20.819	305913-402	23-979	23.186

CLICK HERE TO **DOWNLOAD** THE COMPLETE MANUAL

- Thank you very much for reading the preview of the manual.
- You can download the complete manual from: www.heydownloads.com by clicking the link below



- Please note: If there is no response to CLICKING the link, please download this PDF first and then click on it.

CLICK HERE TO **DOWNLOAD** THE COMPLETE MANUAL