

# ATLET

## SPARE PARTS

---

*Machine: TPC*

*Manual No: 005933*

*Edition: 2004B*

---

Approved 2004-09-01:

Per Bjällmark  
Technical Documentation



CLICK HERE TO **DOWNLOAD** THE COMPLETE MANUAL

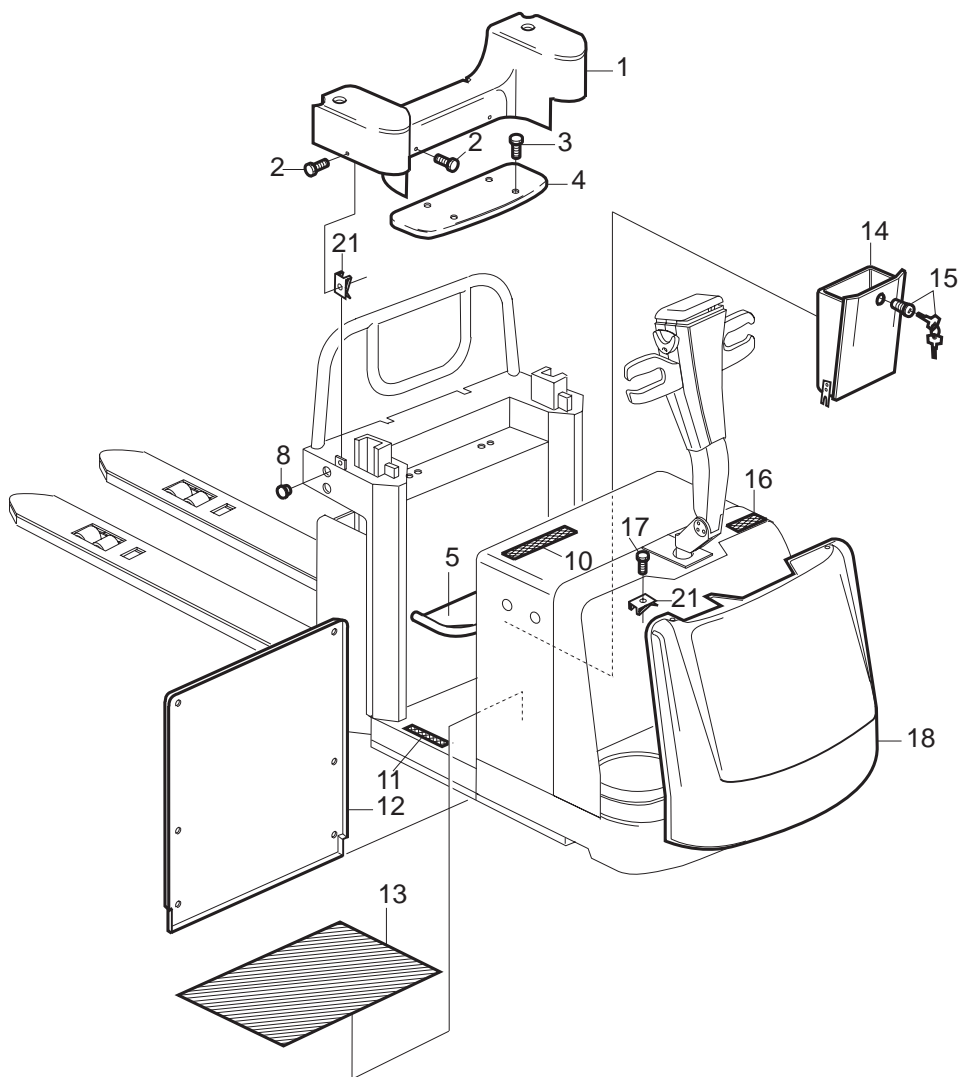
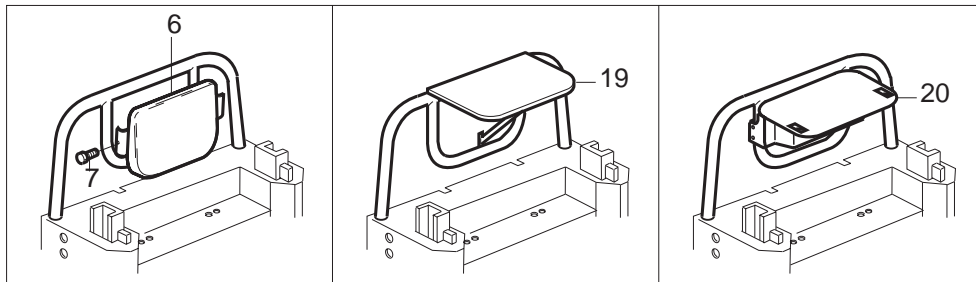
- Thank you very much for reading the preview of the manual.
- You can download the complete manual from: [www.heydownloads.com](http://www.heydownloads.com) by clicking the link below



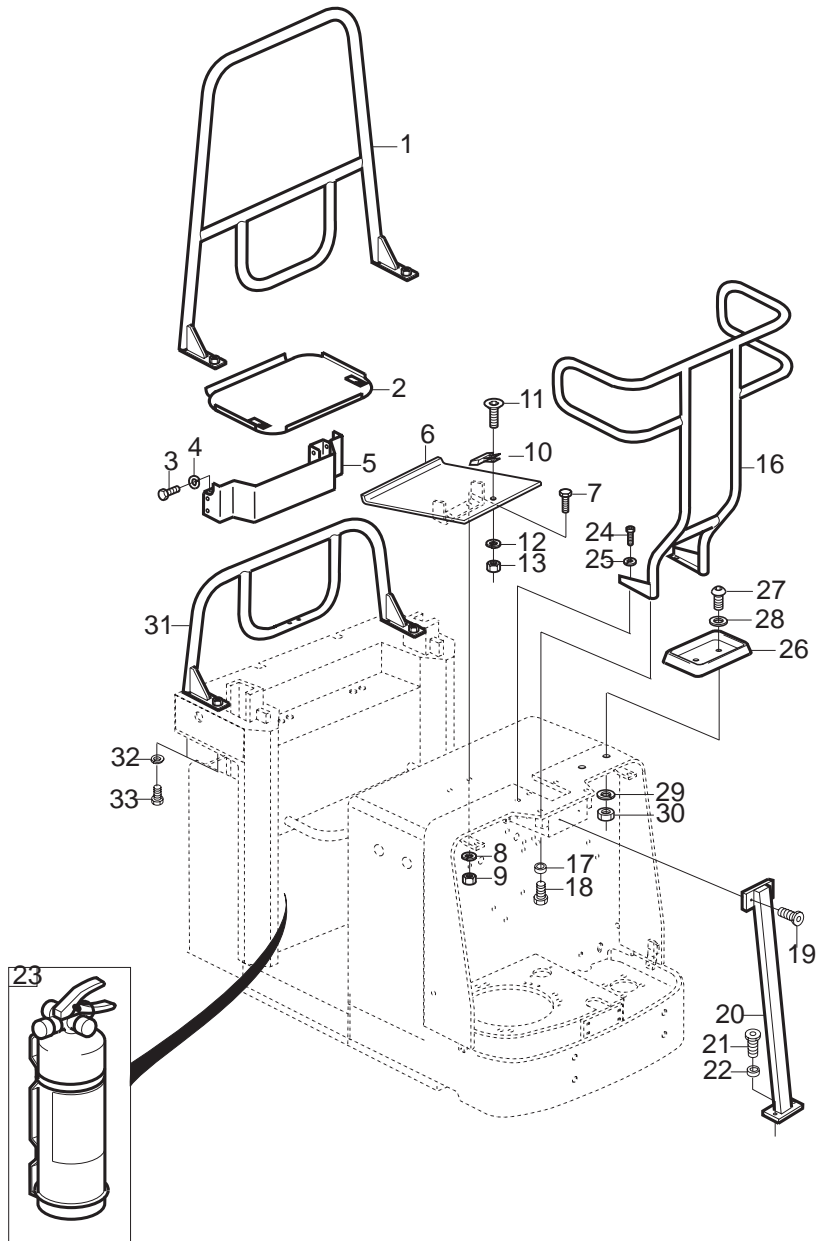
- Please note: If there is no response to CLICKING the link, please download this PDF first and then click on it.

CLICK HERE TO **DOWNLOAD** THE COMPLETE MANUAL





TP\_040500\_CDFL\_.eps

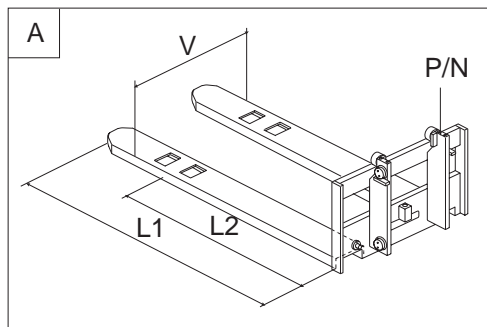
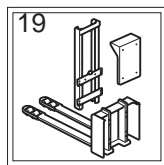
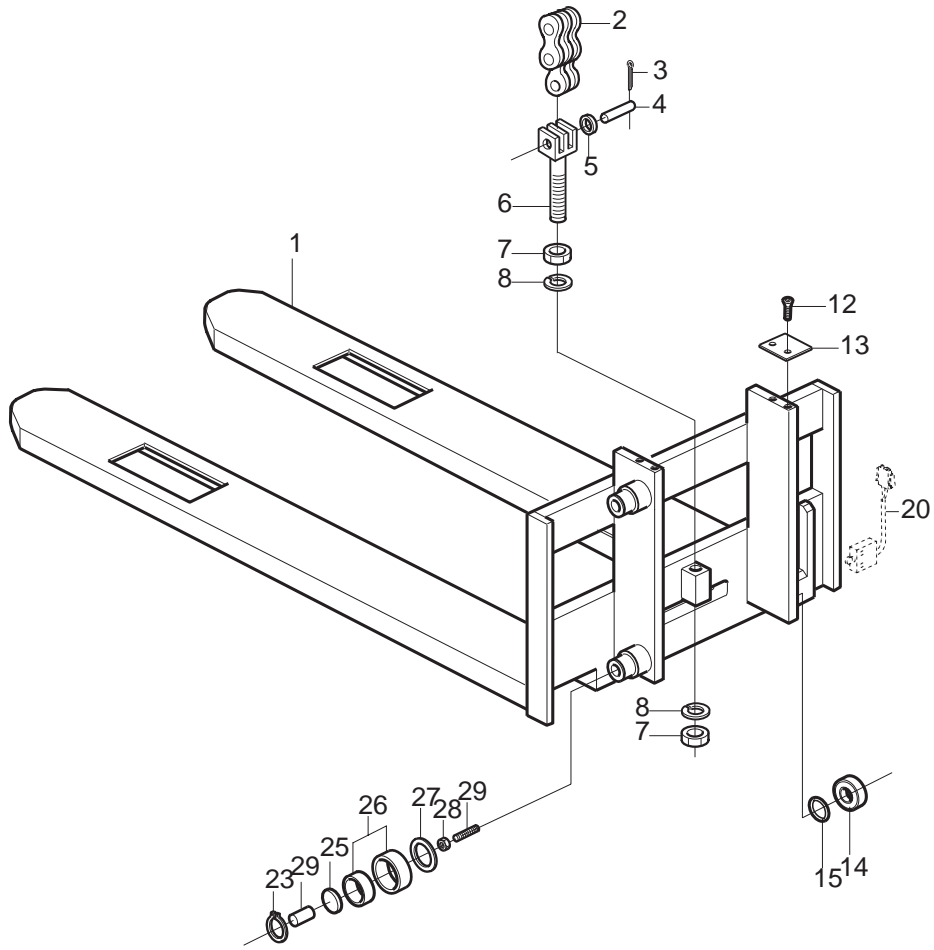


TP\_040200\_CDFL\_1996-.eps

**VÄXELLÅDA - GEAR HOUSING**  
**GETRIEBEGEHÄUSE - BOITE DE TRANSLATION**

TPC/TPD/TPF/TPL

Pos.	Beskrivning	Designation	Bezeichnung	Dénomination	Qty	Part No.
33	Oljeavtappn.plugg	Oil drain plug	Olablasschraube	Bouc.de vid.d'huile	1	001357
34	Shim(60x75x0,1)	Shim	Einstellscheibe	Cale de réglage	1	001368
	Shim(60x75x0,15)	Shim	Einstellscheibe	Cale de réglage	1	001369
	Shim(60x75x0,25)	Shim	Einstellscheibe	Cale de réglage	1	001370
35	Oljepåfylln.plugg	Oil drain plug	Olablasschraube	Bouc.de vid.d'huile	1	001371
36	Kamkurva	Cam disc	Nockenscheibe	Disque à came	1	100190
37	Skruv MF6S 5x16	Screw	Schraube	Vis	2	010957
38	Skyddsskiva	Protective plate	Schutzbleck	Plaque de protection	1	001820



TP\_060200\_CF\_1999-.eps

---

MASTER MANUAL

Machine: TP

Manual No: 005867

---

## TABLE OF CONTENT

### Chapter 7

**STYRNING - STEERING -  
LENKUNG - COMMANDE**

---

*Edition 2001A*

<b>STYRNING - STEERING LENKUNG - DIRECTION ASSISTÉ</b> TPC/TPD/TPF/TPL .....	7.5
---	-----

---

*Edition 2003A*

<b>STYRNING, MANÖVERARM - STEERING, TILLER ARM LENKUNG, STEUER ARM - DIRECTION ASSISTÉ, LEVIER DE COMMANDE</b> TPC/TPD/TPF/TPL (=>2002w38) .....	7.7
---	-----

---

*Edition 2003A*

<b>STYRNING, MANÖVERARM - STEERING, TILLER ARM LENKUNG, STEUER ARM - DIRECTION ASSISTÉ, LEVIER DE COMMANDE</b> TPC/TPD/TPF/TPL (2002w39=>) .....	7.11
---	------

---

*Edition 2002B*

<b>RATT - STEERING WHEEL LENKRAD - VOLANTE</b> TPC/TPD/TPF/TPL (=>FEB 2000) .....	7.15
--	------

---

*Edition 2004A*

<b>RATT - STEERING WHEEL LENKRAD - VOLANTE</b> TPC/TPD/TPF/TPL (MAR 2000=>) .....	7.19
--	------

---

*Edition 2001A*

<b>MANÖVERARM - TILLER ARM STEUERARM - LEVIER DE COMMANDE</b> TPC/TPD/TPF/TPL (=>FEB 2000) .....	7.23
---	------

---

*Edition 2001A*

<b>MANÖVERARM - TILLER ARM STEUERARM - LEVIER DE COMMANDE</b> TPC/TPD/TPF/TPL (MAR 2000=>) .....	7.27
---	------

Edition 2003A

**STYRNING, MANÖVERARM - STEERING, TILLER ARM**  
**LENKUNG, STEUER ARM - DIRECTION ASSISTÉ, LEVIER DE COMMANDE**  
 TPC/TPD/TPF/TPL (2002w39=>)

Pos.	Beskrivning	Designation	Bezeichnung	Dénomination	Qty	Part No.
1	Skruv MCS	Screw	Schraube	Vis	2	011331
2	Mikrobrytare	Micro switch	Mikroschalter	Micro-interrupteur	1	108052
3	Gaffel	Fork	Gabel	Fourche	1	078347
4	Gasfjäder	Gas spring	Gasfeder	Ressort de gas	1	078916
5	Distans	Spacer	Abstandhalter	Ecartement	1	100613
6	Kåpa	Cover	Deckel	Carter	1	078917
7	Kåpa	Cover	Deckel	Carter	1	078918
8	Länkhuvud	Eye bolt	Gelenklager	Axe d'articulation	1	100612
9	Fj. bricka	Washer	Scheibe	Rondelle	1	012369
10	Kam	Cam	Nocke	Came	1	078919
11	Flänslager	Bearing	Lager	Palier	2	008548
12	Skruv M6S	Screw	Schraube	Vis	1	010087
13	Skruv K6S	Screw	Schraube	Vis	1	014726
14	Mutter M6M	Nut	Mutter	Ecrou	1	012159
16	Mutter ML6M22	Nut	Mutter	Ecrou	1	012154
17	Mutter ML6M	Nut	Mutter	Ecrou	1	012147
19	Axel	Axle	Achse	Arbre	1	078466
20	Fj.bricka FBB 6,1	Spring washer	Federring	Rondelle élastique	1	012271
21	Skruv M6S 6x12	Screw	Schraube	Vis	1	010087
22	Anslagsbuffert	Stop sleeve	Anschlag	Butoir	1	078920
23	Fäste	Holder	Halter	Porteoutil	1	(g)
26	Bussning	Bushing	Buchse	Douille	1	001479
27	Mutter M6M 10	Nut	Mutter	Ecrou	2	012122
28	Fj.bricka FBB 10,2	Spring washer	Federring	Rondelle élastique	2	012279
29	Distans	Spacer	Abstandhalter	Ecartement	1	100839
30	Skruv MC6S10x110	Screw	Schraube	Vis	2	010726
31	Styraxel	Steering axle	Lenkachse	Essieu de commande	1	100132
32	Styrkedja	Steer.tr.chain	Kette	Chaîne	1	100261
33	Skruv MC6S 8x16	Screw	Schraube	Vis	2	010629
34	Fj.bricka FBB 8,2	Spring washer	Federring	Rondelle élastique	2	012275
35	Flänslagerhus	Bearing housing	Lagergehäuse	Logement de roulem.	2	008271
36	Skruv MC6S 8x16	Screw	Schraube	Vis	2	010629
37	Fj.bricka FBB 8,2	Spring washer	Federring	Rondelle élastique	2	012275
38	Mutter M6M3	Nut	Mutter	Ecrou	2	012110
39	Bricka	Washer	Scheibe	Rondelle	2	012365
40	Skruv MCS 3x25	Screw	Schraube	Vis	2	011274
41	Mikrobrytare	Micro switch	Mikroschalter	Micro-interrupteur	1	009967
42	Konsol	Bracket	Konsole	Support	1	100191
43	Skruv MF6S 8x35	Screw	Schraube	Vis	2	011035
44	Låsbricka AZV 8,4	Lock washer	Sicherungsscheib	Rondelle freine	2	012316
45	Kedjestopp	Chain stopp	Kettenstopp	Stop de chaîne	2	078414
46	Skruv M6S 8x60	Screw	Schraube	Vis	2	010160
47	Fj.bricka FBB 8,2	Spring washer	Federring	Rondelle élastique	2	012275
48	Rak kopplingslänk	Direct coupling	Verschraubung	Raccord droite	2	008864

TP\_070101\_CDFL\_2002w39-\_2003A.fm

**RATT - STEERING WHEEL  
LENKRAD - VOLANTE**

TPC/TPD/TPF/TPL (MAR 2000=&gt;)

Pos.	Beskrivning	Designation	Bezeichnung	Dénomination	Qty	Part No.
53	Fäste	Holder	Halter	Attache	1	076833
54	Knapp	Button	Knopf	Bouton	1	076810
55	Mikrobrytare	Micro switch	Mikroschalter	Micro-interrupteur	2	009845
	Mikrobrytare	Micro switch	Mikroschalter	Micro-interrupteur	2	005484 (e)
56	Kablage	Cable harness	Hauptkabel	Câble multiple	1	100468
57	Mutter	Nut	Mutter	Ecrou	5	078455
59	Fj.bricka FBB 5,1	Spring washer	Federring	Rondelle élastique	5	012269
60	Skruv M6S 5x16	Screw	Schraube	Vis	5	010058
61	Spårryttare	Lock washer	Sicherungssch.	Clip	2	015002
63	Skruv M6S 6x12	Screw	Schraube	Vis	1	010089
64	Fj.bricka FBB 6,1	Spring washer	Federring	Rondelle élastique	1	012271
65	Axel	Axle	Achse	Arbre	1	078466
66	Skruv MC6S 10x20	Screw	Schraube	Vis	2	010691
67	Skruv MC6S 10x30	Screw	Schraube	Vis	2	010697
68	Fäste	Holder	Halter	Attache	1	100840
69	Rattarm	Tiller arm	Steuerarm	Levier de commande	1	100797
70	Sidopanel, h	Panel, right	Tafel, rechts	Panneau, droite	1	100560
71	Täckbricka	Cover washer	Abdeckscheibe	Plaque de rondelle	1	100586
72	Sidopanel, v	Panel, left	Tafel, links	Panneau, gauche	1	100570
73	Panel	Panel	Tafel	Panneau	1	100571
76	Gasfjäder, kpl	Gas spring, cpl	Gasfeder, kpl	Ressort à gaz, cpl	1	100563 (incl. pos 76-78)
	Gasfjäder	Gas spring	Gasfeder	Ressort à gaz	1	100611
77	Gaffel	Fork	Gabel	Fourche	1	078347
78	Länkhuvud	Eye bolt	Gelenklager	Axe d'articulation	1	100612
80	Distans	Spacer	Abstandhalter	Entretoise	1	100613
81	Skruv M6S 8x35	Screw	Schraube	Vis	1	014726
82	Flänslager	Bearing	Lager	Palier	1	008548
83	Sp.stift 5x26	Roll pin	Spannstift	Goupille	1	012918 (2003w51=>)
84	Bricka	Washer	Scheibe	Rondelle	2	012271 (=>2003w50) 012371 (2003w51=>)

**STYRNING, RATT - STEERING, STEERING WHEEL**  
**LENKUNG, LENKRAD - DIRECTION ASSISTÉ, VOLANTE**  
 TPC/TPD/TPF/TPL (=>FEB 1999)

Pos.	Beskrivning	Designation	Bezeichnung	Dénomination	Qty	Part No.
1	Skruv MC6S10x20	Screw	Schraube	Vis	4	010691
2	Fj. bricka FBB 10,2	Spring washer	Federring	Rondelle élastique	4	012279
	Motor	Motor	Motor	Moteur	1	100597
	Växel	Gearbox	Getriebe	Rapport	1	100598
<b>3</b>	<b>Motor, kpl</b>	<b>Motor, cpl</b>	<b>Motor, kpl</b>	<b>Moteur, cpl</b>	<b>1</b>	<b>100584</b>
4	Kolborste	Brush set	Kohlenbürsten- satz	Jeu de balai charbon	1	100596
5	Skruv MC6S 8x20	Screw	Schraube	Vis	4	010633
6	Fj.bricka FBB 8,2	Spring washer	Federring	Rondelle élastique	4	012275
7	Konsol	Bracket	Konsole	Support	1	100559
8	Bricka	Washer	Scheibe	Rondelle	2	012408
9	Fj.bricka FBB 8,2	Spring washer	Federring	Rondelle élastique	2	012275
10	Skruv M6S 8x16	Screw	Schraube	Vis	2	010629
11	Styrkedja	Steering transmis- sion chain	Kette	Chaîne de direction	1	100578
	Kedjelänk	Chain lock	Kettenschloß	Verrouillage de chaîne	1	008864
12	Fästplatta	Anchor plate	Lagerplatte	Plaque de fixation	1	100558
13	Bricka AZV 5,3	Washer	Scheibe	Rondelle	4	012314
14	Skruv MF6S 5x20	Screw	Schraube	Vis	4	010961
15	Kedjehjul	Chain wheel	Kettenzahnrad	Roue dentée de chaîne	1	100557
16	Skruv MC6S 4x16	Screw	Schraube	Vis	4	010508
17	Fj.bricka FBB 4,1	Spring washer	Federring	Rondelle élastique	4	012267
18	Magnetgivare	Magnet sensor	Magnet geber	Capteur de aimant	2	005540
19	Tejp	Tape	Heftplaster	Adhésif autocollant	2	001460
20	Konsol	Bracket	Konsole	Support	2	100640
33	Skruv MC6S 8x16	Screw	Schraube	Vis	2	010629
34	Fj.bricka FBB 8,2	Spring washer	Federring	Rondelle élastique	2	012275
35	Flänslagerhus	Bearing housing	Lagergehäuse	Logement de roulem.	2	008271
36	Skruv MC6S 8x16	Screw	Schraube	Vis	2	010629
37	Fj.bricka FBB 8,2	Spring washer	Federring	Rondelle élastique	2	012275
38	Mutter M6M3	Nut	Mutter	Ecrou	2	012110
39	Bricka	Washer	Scheibe	Rondelle	2	012365
40	Skruv MCS 3x25	Screw	Schraube	Vis	2	011274
41	Mikrobrytare	Micro switch	Mikroschalter	Micro-interrupteur	1	009967
42	Konsol	Bracket	Konsole	Support	1	100191
43	Skruv MF6S 8x35	Screw	Schraube	Vis	2	011035
44	Låsbricka AZV 8,4	Lock washer	Sicherungss- cheib.	Rondelle freine	2	012316
45	Kedjestopp	Chain stopp	Kettenstopp	Stop de chaine	2	078414
46	Skruv M6S 8x60	Screw	Schraube	Vis	2	010160
47	Fj.bricka FBB 8,2	Spring washer	Federring	Rondelle élastique	2	012275
48	Rak kopplingslänk	Direct coupling	Verschraubung	Raccord droite	2	008864
49	Kedjesträckare	Chain tensioner	Kettenspanner	Tendeur de la chaine	2	078412
50	Fj.bricka FBB 8,2	Spring washer	Federring	Rondelle élastique	2	012275
51	Mutter M6M 8	Nut	Mutter	Ecrou	2	012120

CLICK HERE TO **DOWNLOAD** THE COMPLETE MANUAL

- Thank you very much for reading the preview of the manual.
- You can download the complete manual from: [www.heydownloads.com](http://www.heydownloads.com) by clicking the link below



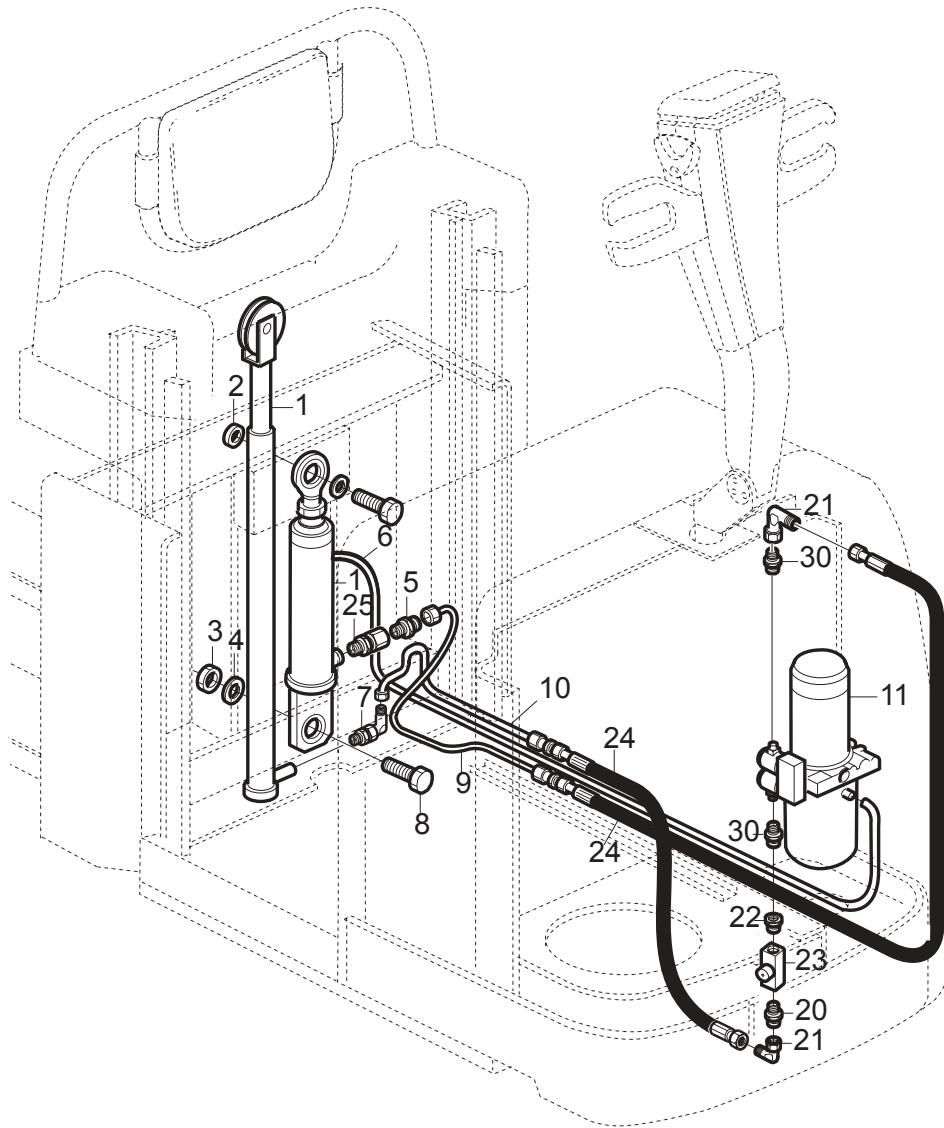
- Please note: If there is no response to CLICKING the link, please download this PDF first and then click on it.

CLICK HERE TO **DOWNLOAD** THE COMPLETE MANUAL

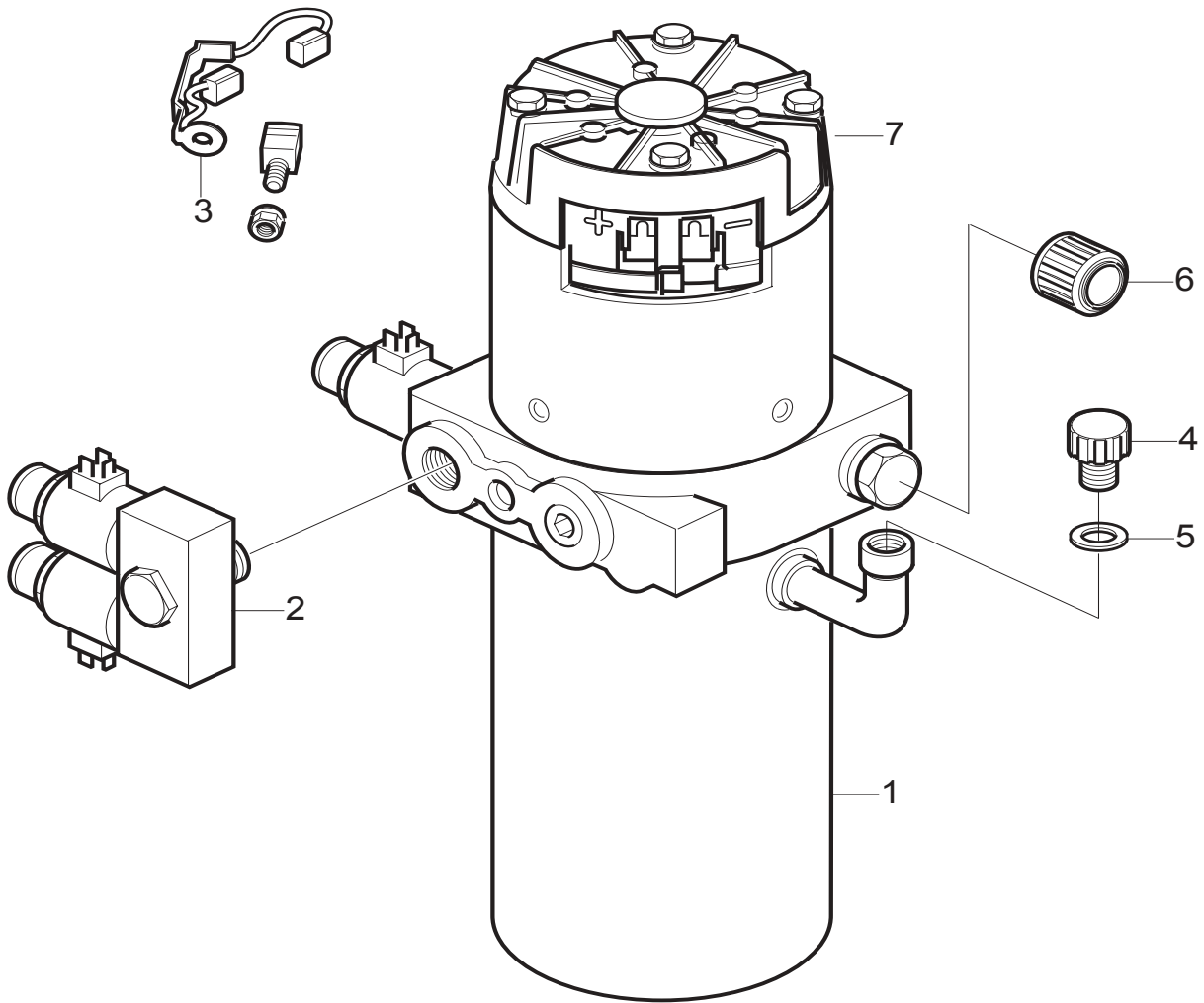
**STYRNING, RATT - STEERING, STEERING WHEEL**

TPC/TPD/TPF/TPL (2001 w38=&gt;)

Pos.	Beskrivning	Designation	Bezeichnung	Dénomination	Qty	Part No.
59	Sp.stift FRP 8x30	Roll pin	Spannstift	Goupille	2	012980
60	Skruv MC6S 8x30	Screw	Schraube	Vis	2	010639
61	Skruv MF6S 8x35	Screw	Schraube	Vis	2	011035
62	Låsbricka AZV 8,4	Lock washer	Sicherungssceib.	Rondelle freine	2	012316
63	Distans	Spacer	Abstandhalter	Ecartement	2	100672
64	Kedjestopp	Chain stop	Kettenstopp	Stop de chaîne	2	100671



TP\_080100\_D\_2000-eps



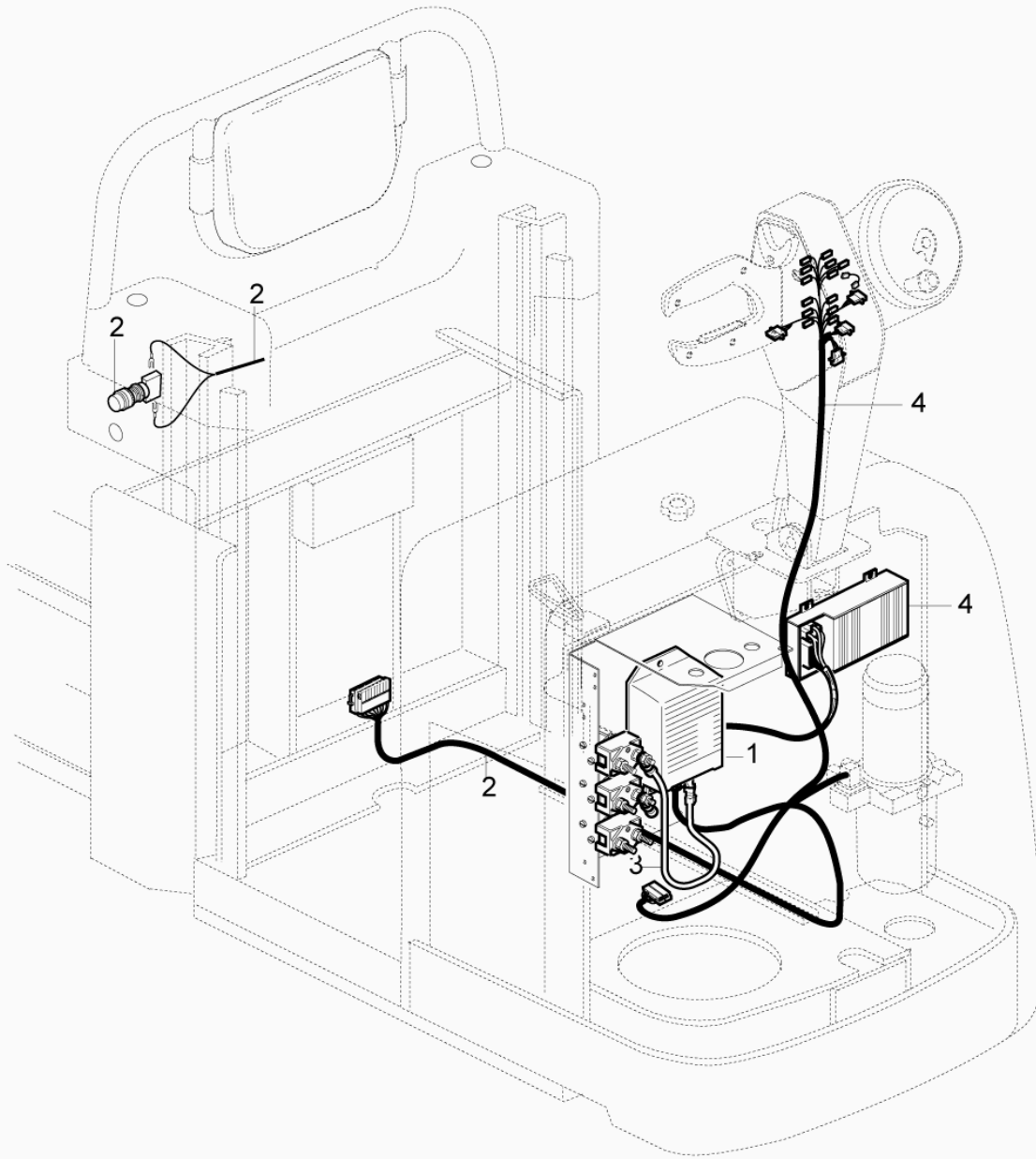
TP\_080200\_DL\_2000-.eps

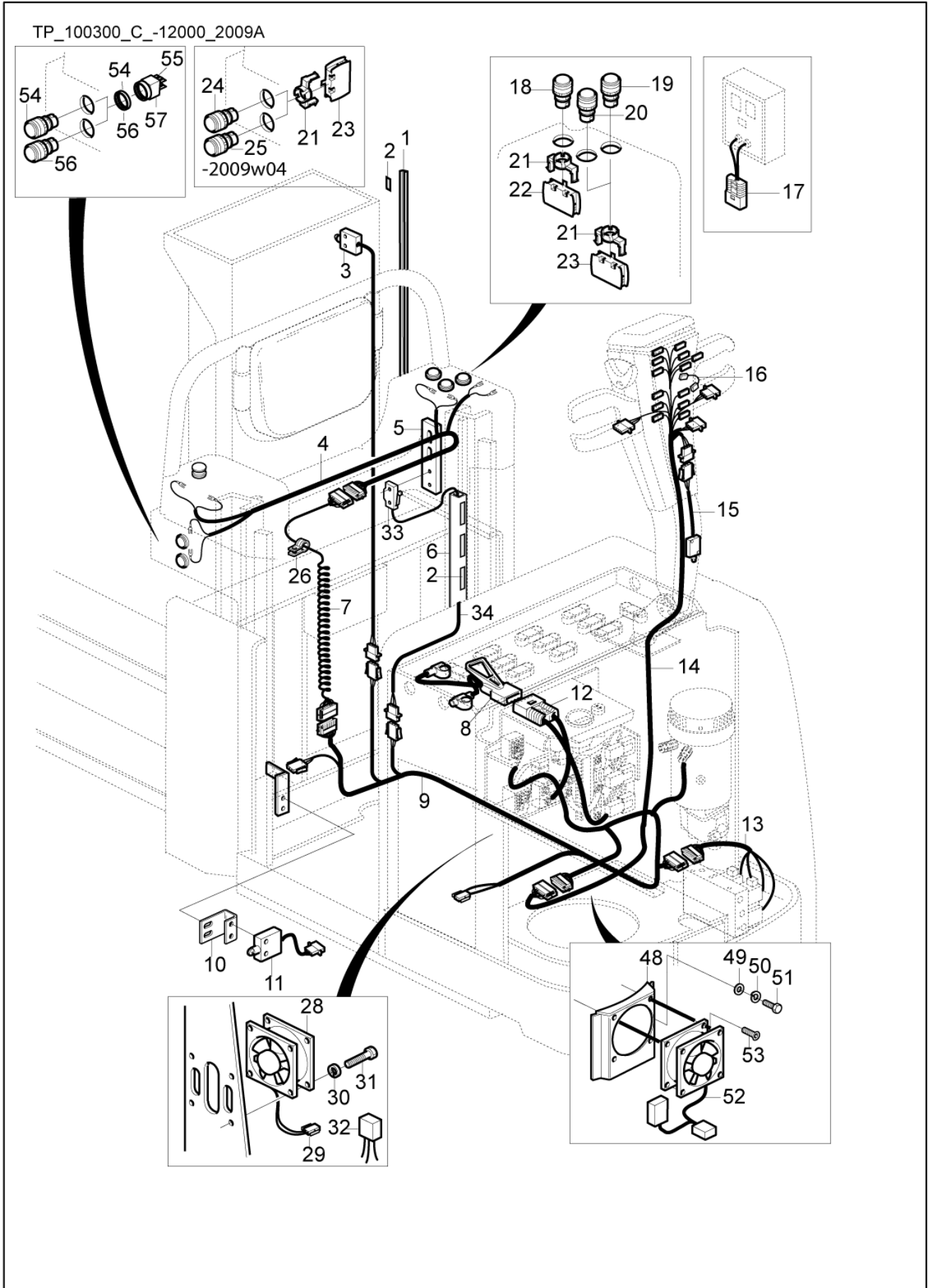
Edition 2001A

**LYFTCYLINDER, LÅGLYFT - LIFT CYLINDER, LOW LIFT**  
**HUBZYLINDER, NIEDERHUB - CYLINDRE DE LEVAGE, PETITE LEVÉE**  
 TPD/TPL

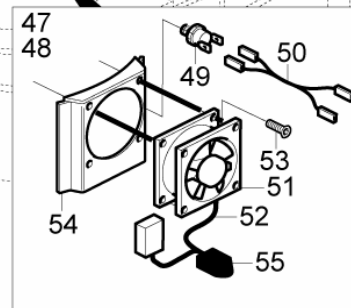
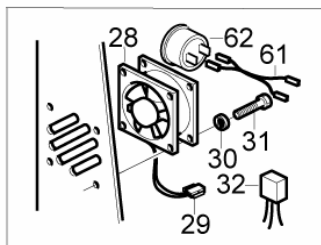
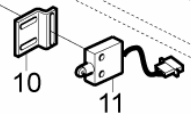
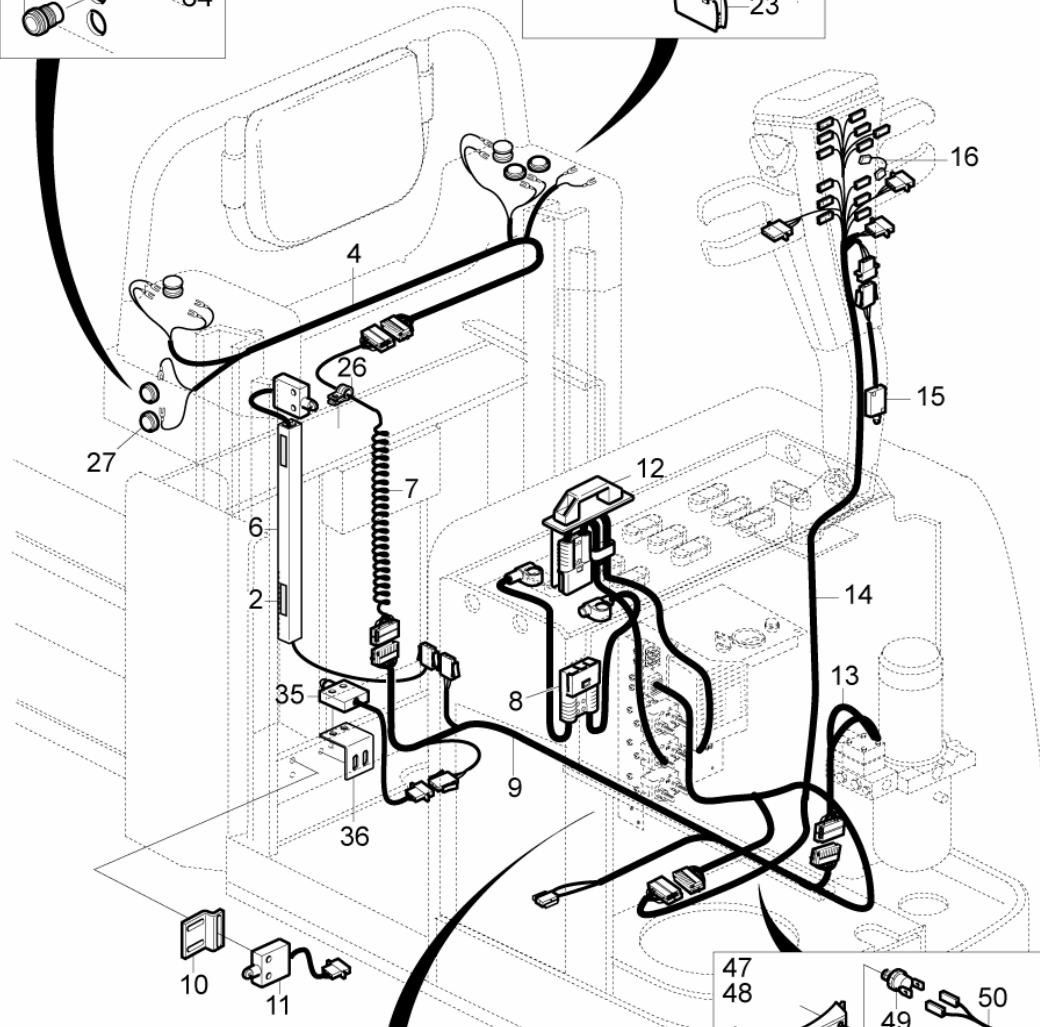
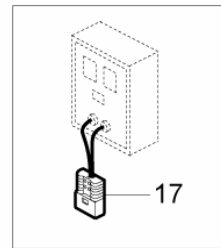
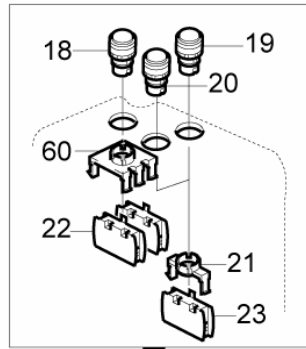
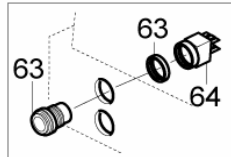
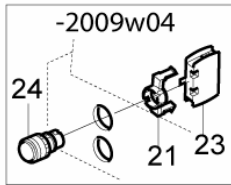
Pos.	Beskrivning	Designation	Bezeichnung	Dénomination	Qty	Part No.
1	Lyftcyl.kompl.	Lift cyl.assy.	Hubzyl. kompl.	Vérin de levage	1	100075 compl
2	Länklager	Link bearing	Gelenklager	Palier d'articulation	1	002579
3	Bricka	Washer	Scheibe	Rondelle	2	014769
A	When ordering spare parts: P/N must be stated. It is stamped at the top of the cylinder (see picture).					

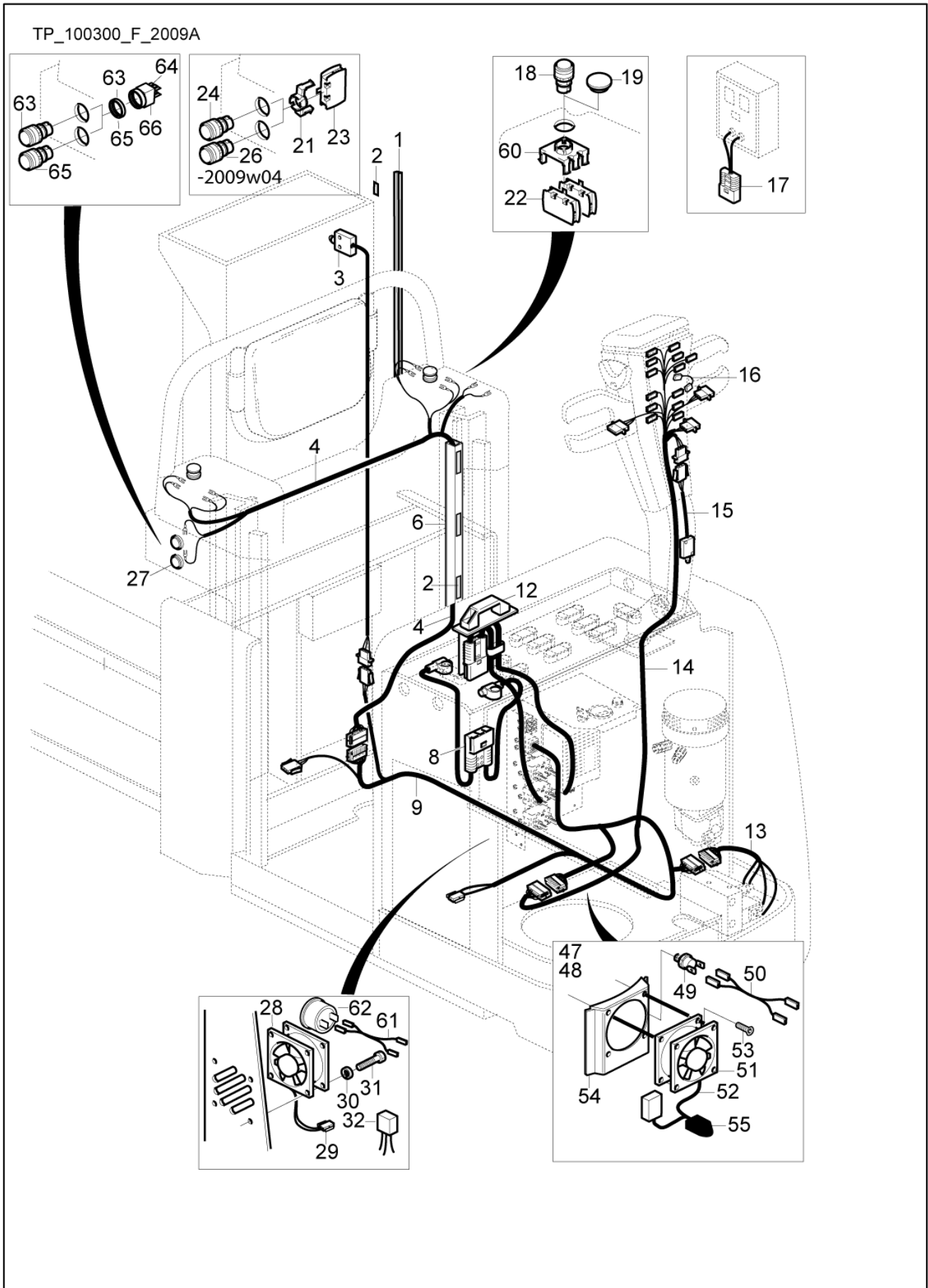
TP\_100100\_CDFL\_



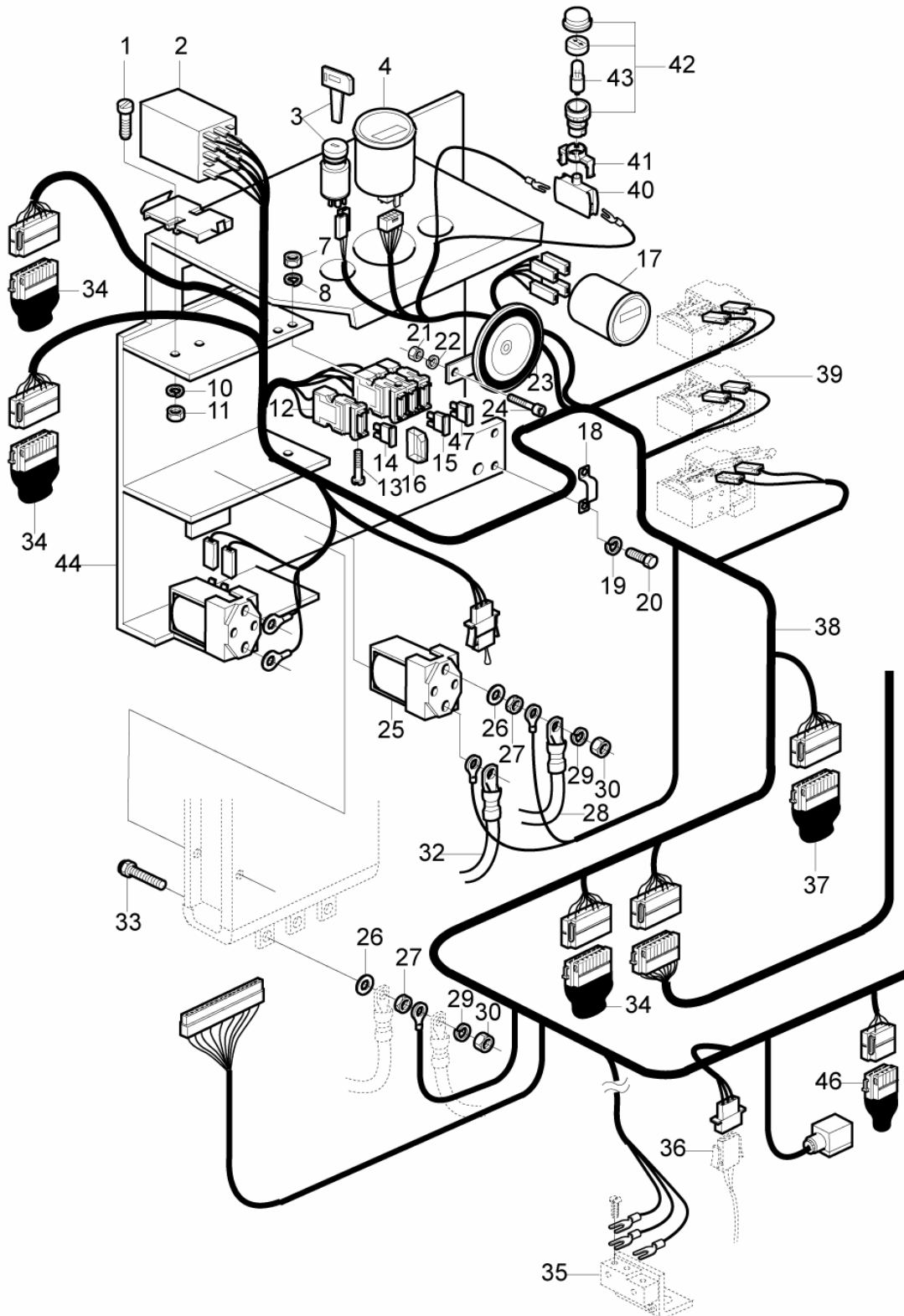


TP\_100300\_D\_1999-\_2009A





TP\_100401\_CDFL\_1996-12000



---

MASTER MANUAL

Machine: TP

Manual No: 005867

---

## TABLE OF CONTENT

### Chapter 11

**FART OCH BROMSSYSTEM - DRIVE AND BRAKE SYSTEM -  
FAHR UND BREMSSYSTEME - SYSTÈME VITESSE ET FREINAGE**

---

*Edition 2002B*

<b>ELBROMS - ELECTRIC BRAKE ELECTR. BREMSE - FREIN ÉLECTRIQUE</b>	
TPC/TPD/TPF/TPL (=>2002w49) .....	11.3

---

*Edition 2003B*

<b>ELBROMS - ELECTRIC BRAKE ELECTR. BREMSE - FREIN ÉLECTRIQUE</b>	
TPC/TPD/TPF/TPL (2002w50=>) .....	11.5

---

*Edition 2001A*

<b>BROMSPEDAL, RATTUTFÖRANDE - BRAKE PEDAL, STEERING WHEEL PERFORMANCE BREMSPEDALE, LENKRAD AUSFÜHRUNG - PÉDALE DE FREIN, EXÉCUTION DE VOLANTE</b>	
TPC/TPD/TPF/TPL .....	11.7

CLICK HERE TO **DOWNLOAD** THE COMPLETE MANUAL

- Thank you very much for reading the preview of the manual.
- You can download the complete manual from: [www.heydownloads.com](http://www.heydownloads.com) by clicking the link below



- Please note: If there is no response to CLICKING the link, please download this PDF first and then click on it.

CLICK HERE TO **DOWNLOAD** THE COMPLETE MANUAL