

# Track Marshall

Diesel Crawler Tractor Unit

Spare Parts List

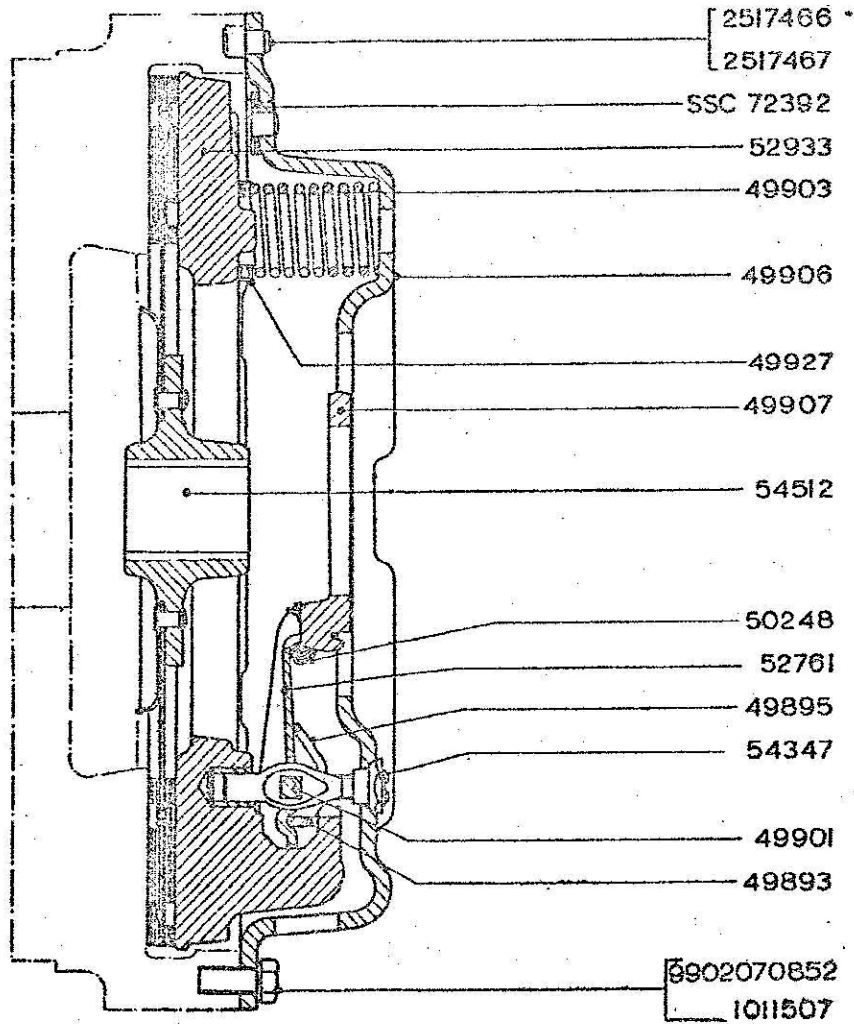
CLICK HERE TO **DOWNLOAD** THE COMPLETE MANUAL

- Thank you very much for reading the preview of the manual.
- You can download the complete manual from: [www.heydownloads.com](http://www.heydownloads.com) by clicking the link below

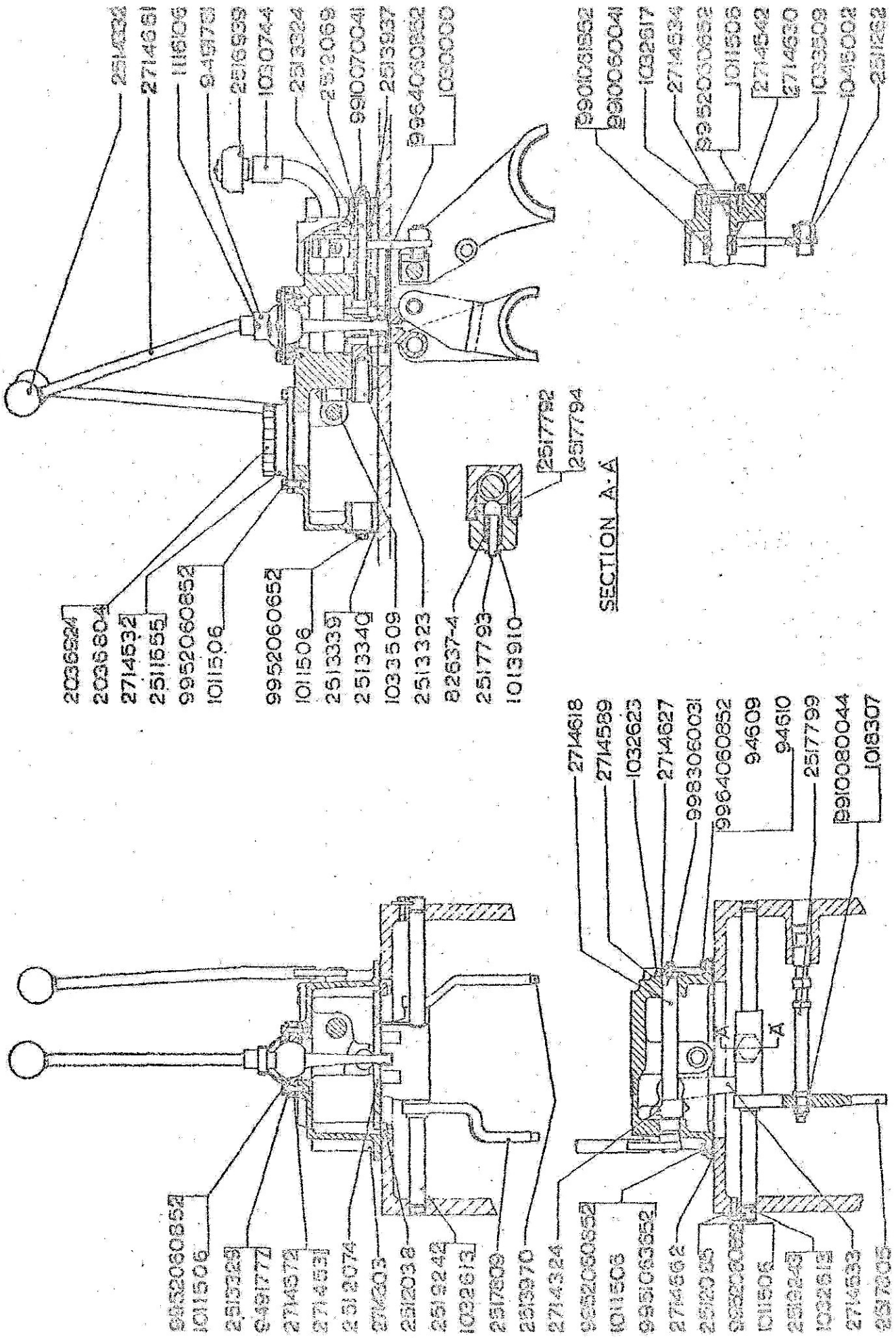


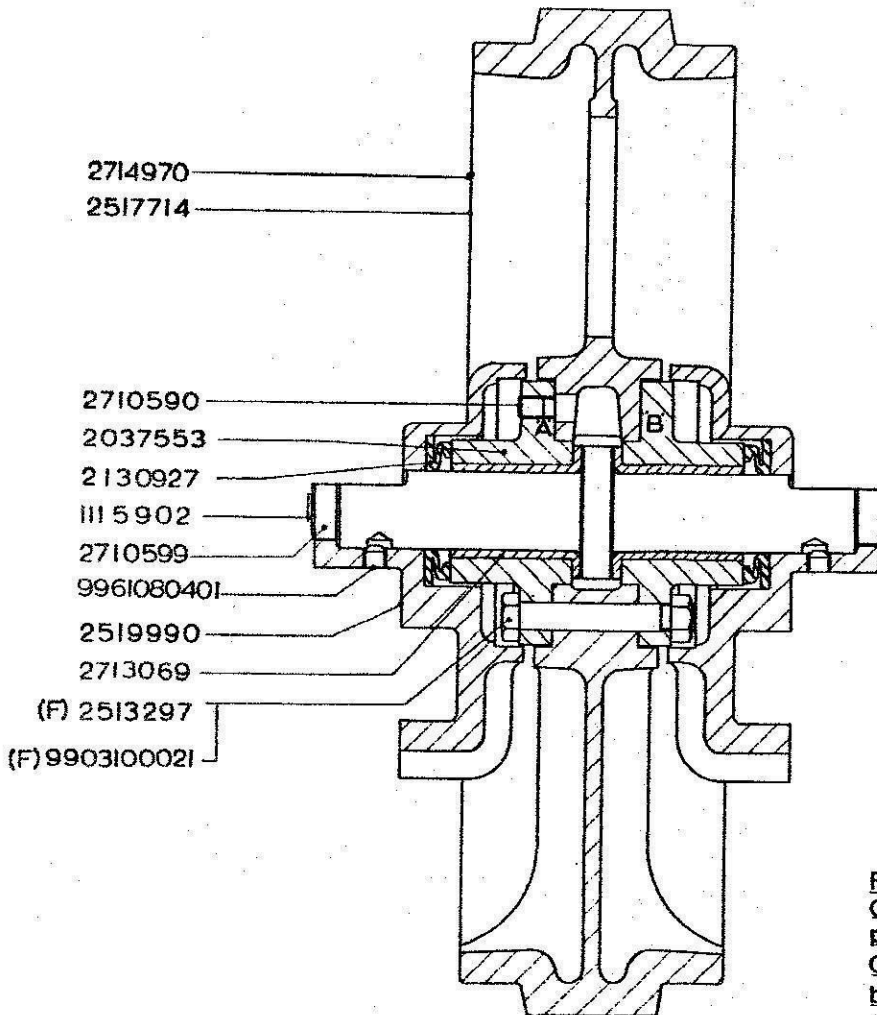
- Please note: If there is no response to CLICKING the link, please download this PDF first and then click on it.

CLICK HERE TO **DOWNLOAD** THE COMPLETE MANUAL



PART NO.	QTY.	DESCRIPTION
49909/48	1	ASSY. of COVER
49893	4	STRUT
49895	4	ANTI-RATTLE SPRING
49901	4	PIN for RELEASE LEVER
49903	12	THRUST SPRING-CREAM
49906	1	COVER & STRAP ASSY.
49907	1	RELEASE LEVER PLATE
49927	12	CUP for THRUST SPRING
50248	4	RETAINER SPRING
52761	4	RELEASE LEVER
52933	1	PRESSURE PLATE with BUSHES
54347	4	EYEBOLT with NUT
SSC.72392	4	FERRULE & BOLT KIT
54512	1	ASSY. of DRIVEN PLATE
ALL THE ABOVE PART NUMBERS ARE BORG AND BECK		
2517466	1	DOWEL - CLUTCH to FLYWHEEL
2517467	1	DOWEL - CLUTCH to FLYWHEEL
1011507	8	SPRING WASHER 7/16"
9902070852	8	SETScrew 7/16" UNF x 1"





De-grease faces marked 'A' & 'B' on wheel & FLANGE HUB. APPLY Loctite grade AVV (9004798) & fit.

De-grease threads of parts marked 'F' with Inhibisol & apply Loctite grade AVV (9004798) & fit.

Fill with 1/4 pint of SAE 140 gear oil  
Coat Plug 2710590 with Hermetite prior to final fitting.  
Coat Plug 1115902 with Hermetite & fit before filling with oil.  
Assemble idler wheel with Plug 1115902 pointing to the outside of the machine.

PART NO.	QTY.	DESCRIPTION
2037553	2	FLANGE HUB
2130927	2	'Z' SEAL
2513297	5	SPECIAL BOLT
2517714	1	IDLER WHEEL C.S. LIGHT TYPE (alternative)
2519990	2	BRACKET
2710590	1	SPECIAL PLUG
2710599	1	SHAFT
2713069	2	BUSH
2714970	1	IDLER WHEEL C.I. HEAVY TYPE (alternative)
1115902	1	'UNBRAKO' PRESSURE PLUG
9903100021	5	NUT 5/8" UNF
9961080401	2	GRUBSCREW 1/2" UNC x 1/2"
2612434	1	IDLER WHEEL ASSY. LIGHT TYPE with loose 'Z' SEALS, less BRACKETS and GRUB SCREWS (alternative)
2715227	1	IDLER WHEEL ASSY. HEAVY TYPE with loose 'Z' SEALS less BRACKETS and GRUB SCREWS (alternative)
		Quantities are given for ONE IDLER WHEEL.
9004798	1	3 c.c. TUBE of LOCTITE AVV sufficient for TWO IDLER WHEELS.

PART NO.	QTY.	DESCRIPTION
2011267	1	CROW BAR
2011271	1	PADLOCK with KEYS
2130993	1	KEY RING
2131445	1	GREASE GUN See TABLE 40B (Alternative)
2131446	1	OIL GUN See TABLE 40C
2517725	1	EYEBOLT
2518170	1	GREASE GUN See TABLE 40A (Alternative)
9000258	4	CLUTCH SPACER - BORG & BECK
2519583	1	TOOLKIT COMPLETE comprising all items below
2514215	1	1.11/16" S.E. SPANNER
2514222*	1	WALLET
2514825	1	15/16" A.F. BOX SPANNER
2514826	1	1.1/8" A.F. BOX SPANNER
1019210*	1	5/8" A.F. KEY WRENCH, ALLEN TYPE
1031602	1	TOMMY BAR 5/16" dia. x 5" long
9510196	1	SCREWDRIVER
9909060705	1	3/8" x 7/16" UNF SPANNER (9/16" x 5/8" A.F.)
9927050605	1	5/16" x 3/8" UNF BOX SPANNER (1/2" x 9/16" A.F.)
1019205*	1	1/4" KEY WRENCH, ALLEN TYPE
1031402*	1	2 B.A. SPANNER
1031453*	1	1/4" x 5/16" B.S.F SPANNER
1031455*	1	3/8" x 7/16" B.S.F. SPANNER
1031456*	1	1/2" x 9/16" B.S.F. SPANNER
1031512*	1	6" COMBINATION PLIERS
1031604*	1	TOMMY BAR 1/2" dia. x 8" long
9909040505*	1	7/16" x 1/2" A.F. SPANNER
9909070805*	1	11/16" x 3/4" A.F. SPANNER
9909080005*	1	3/4" A.F. SPANNER
9909100005*	1	15/16" A.F. SPANNER
9909121405*	1	1.1/8" x 1.5/16" A.F. SPANNER
		PARTS MARKED * CAN BE SUPPLIED IN WALLET TO PART NO. 2513977

CLICK HERE TO **DOWNLOAD** THE COMPLETE MANUAL

- Thank you very much for reading the preview of the manual.
- You can download the complete manual from: [www.heydownloads.com](http://www.heydownloads.com) by clicking the link below



- Please note: If there is no response to CLICKING the link, please download this PDF first and then click on it.

CLICK HERE TO **DOWNLOAD** THE COMPLETE MANUAL