

# Windrow Merger Attachment

BE32910



**JOHN DEERE**

## INSTALLATION INSTRUCTIONS

### Windrow Merger Attachment

FH343046 17AUG20 (ENGLISH)

**W170 Self-Propelled Windrower**

**John Deere Ottumwa Works**  
**FH343046 (17AUG20)**

PRINTED IN U.S.A.  
COPYRIGHT © 2020  
DEERE & COMPANY  
Moline, Illinois

All rights reserved.  
A John Deere ILLUSTRATION™ Manual

FH343046-19-17AUG20

CLICK HERE TO **DOWNLOAD** THE COMPLETE MANUAL

- Thank you very much for reading the preview of the manual.
- You can download the complete manual from: [www.heydownloads.com](http://www.heydownloads.com) by clicking the link below



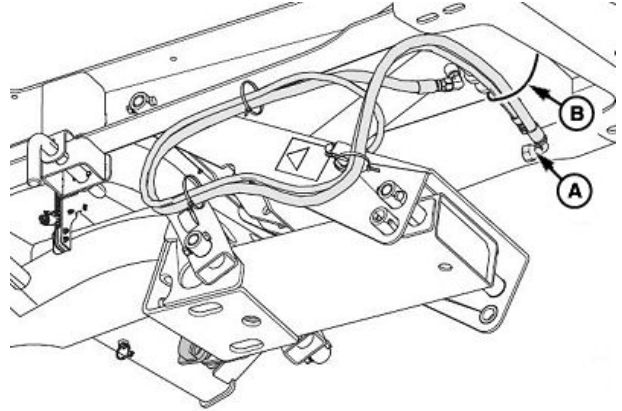
- Please note: If there is no response to CLICKING the link, please download this PDF first and then click on it.

CLICK HERE TO **DOWNLOAD** THE COMPLETE MANUAL

8. Remove and discard the shipping wire (A) from the hydraulic hoses (B).

A—Shipping Wire

B—Hydraulic Hose (2 used)

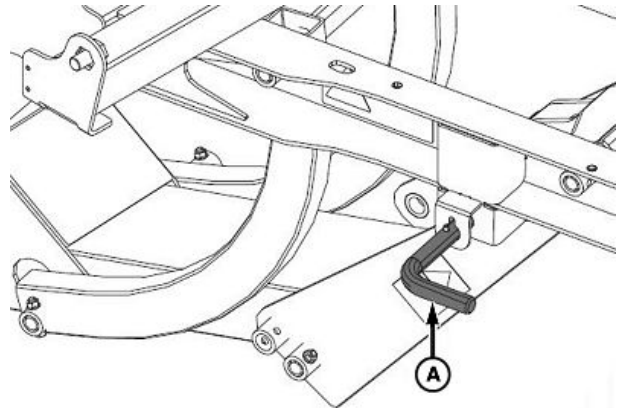


E93214—UN—21FEB20

OOU6064,0002FD3 -19-17AUG20-6/8

9. To lower the linkage arm, rotate and pull out the safety pin (A). Allow the linkage arm to lower. Replace the safety pin.

A—Safety Pin



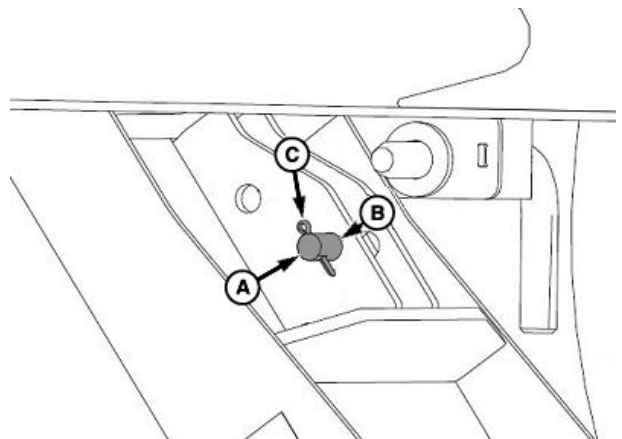
E92907—UN—05DEC19

OOU6064,0002FD3 -19-17AUG20-7/8

10. Secure the lift cylinder pin (A) into the hole (B) with the cotter pin (C).

A—Lift Cylinder Pin  
B—Hole

C—Cotter Pin

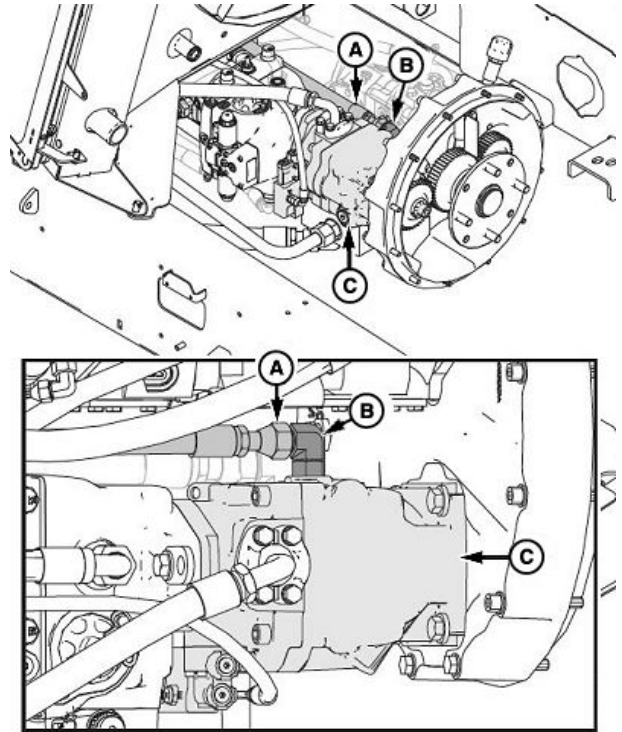


E92908—UN—05DEC19

OOU6064,0002FD3 -19-17AUG20-8/8

8. Locate the pump case drain hose (A) on the lift/fan pump (C). Disconnect the pump case drain hose from the 90° fitting (B).

A—Pump Case Drain Hose      C—Lift/Fan Pump  
 B—90° Fitting



E92928 —UN—06DEC19

OOU6064,0002FD5 -19-17AUG20-6/15

9. Install the reducer fitting (B) onto the case drain hose (A). Tighten to specification.

**Specification**

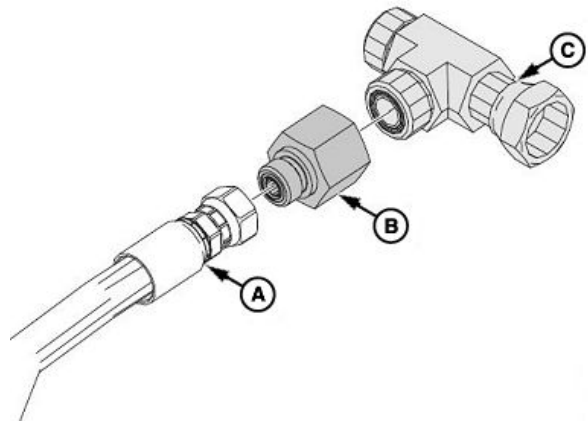
Case Drain  
 Hose—Torque.....42 N·m  
 (31 lb-ft)

10. Install the T-fitting (C) onto the reducer fitting (B).  
 Tighten to specification.

**Specification**

Reducer  
 Fitting—Torque.....84 N·m  
 (62 lb-ft)

A—Case Drain Hose      C—T-Fitting  
 B—Reducer Fitting



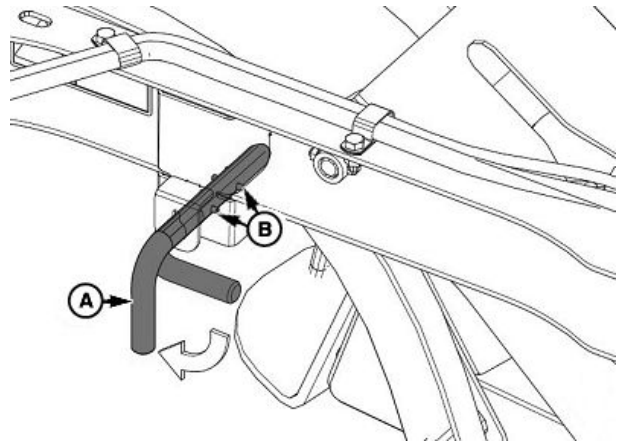
E92926 —UN—06DEC19

Continued on next page

OOU6064,0002FD5 -19-17AUG20-7/15

### Raise and Lower Deck

**CAUTION:** Review the safety sections of the windrower and platform Operators Manuals. Keep all the shields in place. Engage the safety pin (A) when the deck is fully raised for transport, service, storage, or before going under the deck. To engage the safety pin, raise the deck, rotate the pin, and push in until both roll pins (B) are inside the channel. Keep away from the moving draper and rollers. Keep clear of the deck when it is being raised or lowered.



A—Safety Pin

B—Roll Pin (2 used)

OUO6064,0002CF1 -19-17DEC19-1/3

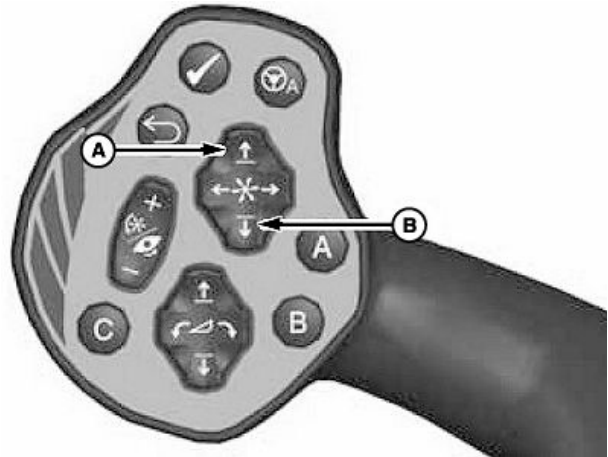
E92585 —JUN—03DEC19

**NOTE:** Take extra caution when raising the deck for the first time. The deck rotates as it raises and lowers and the backsheet folds onto the deck. Ensure that the deck and backsheet are not interfering with the windrower or forming shield.

Windrow merger attachment (WMA) raise and lower can be controlled in several ways:

1. Raise and lower the WMA deck by using buttons (A and B) on the multi-function lever. Stop raising or lowering the deck by letting go of the buttons.
2. Raise and lower the WMA deck by pressing buttons (A and B) on the operators console. Stop raising or lowering the deck by letting go of the buttons.

**NOTE:** When setting the deck position with the one-touch-return buttons, the deck movement cannot be interrupted.

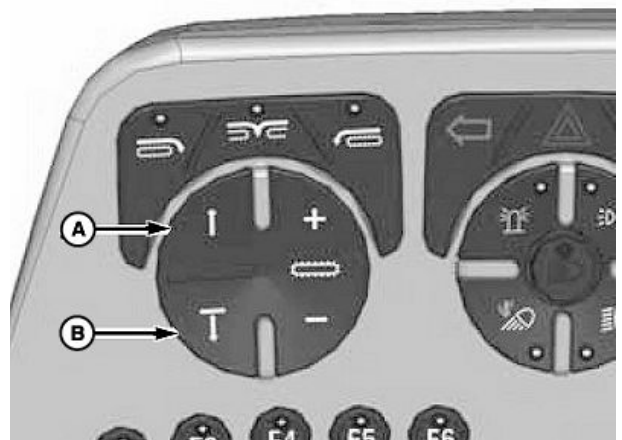


A—Button, Reel Raise

B—Button, Reel Lower

A—Button, Raise

B—Button, Lower



Continued on next page

OUO6064,0002CF1 -19-17DEC19-2/3

E88945 —JUN—02JUL18

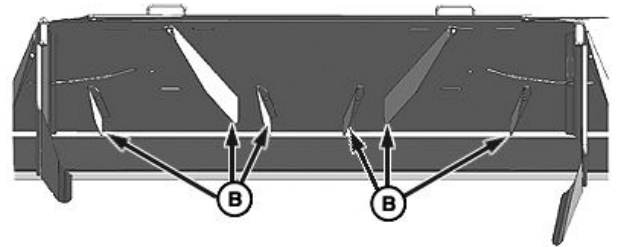
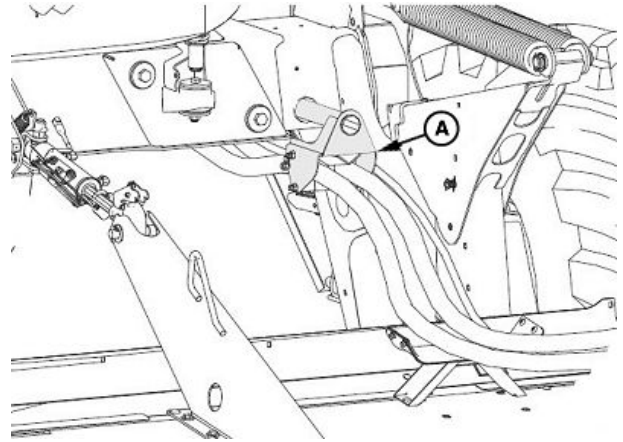
E88946 —JUN—02JUL18

6. After installing the forming shield, raise the platform and make sure that there is adequate clearance between the top of the forming shield and hose support (A) on the windrower frame.

*NOTE: If the fins (B) under the forming shield interfere with the crop flow, remove and retain the fins.*

A—Hose Support

B—Fin (6 used)



E91099—UN—28MAY19

E91100—UN—28MAY19

OUC6064,0002CF7 -19-09DEC19-4/4

### Position Conditioner Rolls

Adjust the gap between the conditioner rolls small enough to throw the crop on to the double windrow attachment. Gap is dependent on the crop type and yield. If the gap is too little for heavy crops, excessive engine power is

consumed and is hard on all components affected. If the gap is too large, crop does not have enough velocity to reach the side delivery deck. See conditioner Operator's Manual for adjustment procedure.

OUC6064,0002558 -19-03JUL18-1/1

### Operation Recommendations

**14 ft, 16 ft, and 18 ft Platforms (non-grass seed only):**  
On the first pass, raise the side delivery system and deposit the material between the windrower wheels. On the return pass, lower the side delivery system and deposit the material beside the previously laid windrow.

When depositing crop in the center, the position of the crop is adjusted using the side deflectors on the forming shields. When depositing the crop to the side, the position of the crop is adjusted by varying the draper speed. The faster the draper speed is set, the farther the crop is delivered to the side.

OUC6064,0002FD7 -19-17AUG20-1/1

CLICK HERE TO **DOWNLOAD** THE COMPLETE MANUAL

- Thank you very much for reading the preview of the manual.
- You can download the complete manual from: [www.heydownloads.com](http://www.heydownloads.com) by clicking the link below



- Please note: If there is no response to CLICKING the link, please download this PDF first and then click on it.

CLICK HERE TO **DOWNLOAD** THE COMPLETE MANUAL