



INSTALLATION INSTRUCTIONS

KG2RP270-00
QUICK COUPLER LINE KIT

APPROXIMATE INSTALLATION TIME: 13.0 hours

CLICK HERE TO **DOWNLOAD** THE COMPLETE MANUAL

- Thank you very much for reading the preview of the manual.
- You can download the complete manual from: www.heydownloads.com by clicking the link below



- Please note: If there is no response to CLICKING the link, please download this PDF first and then click on it.

CLICK HERE TO **DOWNLOAD** THE COMPLETE MANUAL

6. Install the bracket (17) on the housing frame (*8) with two sems bolts (15). Install the hose adapter (18) on the left side port of the manifold (19), and then connect the left side port of the manifold (19) and the line (*5) with the rubber hose (3-1).

Install the hose adapter (18) on the right side port of the manifold (19), and then connect the right side port of the manifold (19) and the line (*7) with the rubber hose (3-2).

Fasten the rubber hoses (3-1) (3-2) with two wire bands (16). The fastening locations are as follows.

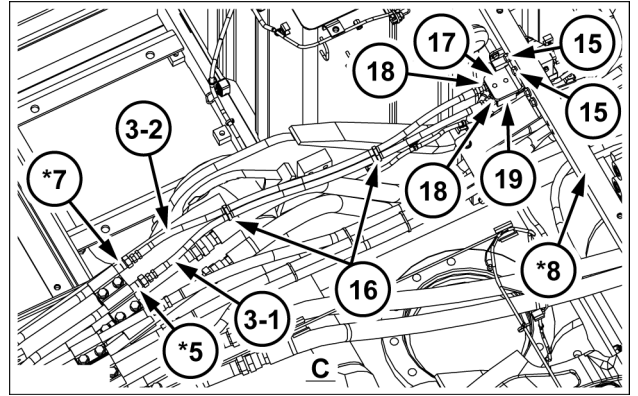
- Fasten the front side wire band (16) so that the length to the rubber hose (3-1) mouthpiece (boom side) is **250 mm (9.843 in)** and the length to the rubber hose (3-2) mouthpiece is **255 mm (10.039 in)**.
- Fasten the rear side wire band (16) so that the length to the rubber hose (3-1) mouthpiece (boom side) is **640 mm (25.197 in)** and the length to the rubber hose (3-2) mouthpiece is **645 mm (25.394 in)**.

7. Install the elbow (13) on the left side port of the manifold (19).

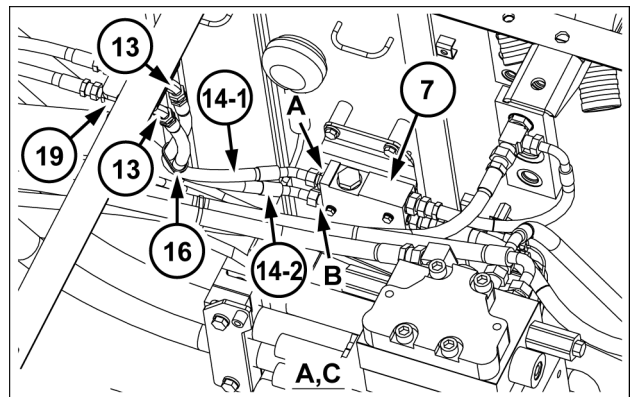
Connect the solenoid valve (7) A port and the left side port of the manifold (19) with the rubber hose (14-1). Install the elbow (13) on the right side port of the manifold (19).

Connect the solenoid valve (7) B port and the right side port of the manifold (19) with the rubber hose (14-2).

Fasten the rubber hoses (14-1) and (14-2) with the wire band (16).



SMIL15CEX8372AB 7



SMIL15CEX8373AB 8

1 - SATZINHALT

Satzinhalt

HINWEIS: Bitte ziehen Sie für die Bestellung von Teilen das Teilehandbuch heran.

Steuerleitung (siehe 3-1)

Gegenstand	Beschreibung	Anzahl	Teilereferenz
1	Winkelstück G1/2 x G3/8	1	KHJ0641
2	Winkelstück G3/8	1	KHJ28590
3	Baugruppenschlauch 3-1 - 3-2	–	KRJ37170
3-1	Gummischlauch A2	1	KHJ33340
3-2	Gummischlauch B2	1	KHJ33340
4	Klemme	1	KHJ2025
5	Schraube mit unverlierbarer Unterlegscheibe M8x20	3	105R008Y020R
6	Schraube mit unverlierbarer Unterlegscheibe M10x20	1	105R010Y020R
7	Magnetventil	1	KHJ29790
8	T-Stück G1/2 x G3/8	1	KHJ1300
9	Halterung	1	KBJ24700
10	Schlauchklemme	1	KHJ33450
11	Hydraulikschlauch	1	KHJ1388
12	Hydraulikschlauch	1	KWJ11020
13	Winkelstück G1/4	2	KHJ28580
14	Baugruppenschlauch 14-1 - 14-2	–	KRJ37210
14-1	Gummischlauch A1	1	KHJ34020
14-2	Gummischlauch B1	1	KHJ34020
15	Schraube mit unverlierbarer Unterlegscheibe M10x25	2	105R010Y025R
16	Kabelbinder (L = 380)	3	KAR0017
17	Halterung	1	KRJ37200
18	Schlauchadapter G1/4	2	KNJ0758
19	Verteiler	1	KRJ37190
20	Hochfeste Schraube M10x45	2	102R010Y045R
21	Hochfeste Unterlegscheibe M10	2	KEH0114

Elektrisches Bauteil (siehe 3-4)

Gegenstand	Beschreibung	Anzahl	Teilereferenz
1	Kabelbaum	1	KHR39410
2	Klammer	1	KHR1317
3	Spezialschraube M8x16	1	KHJ1213
4	Kabelbinder (L = 250)	1	KHH0142
5	Schnellkupplungs-Wippschalter	1	KHR36590
6	Summer	1	MPR5194
7	Schraube M6x16	1	KHR1253

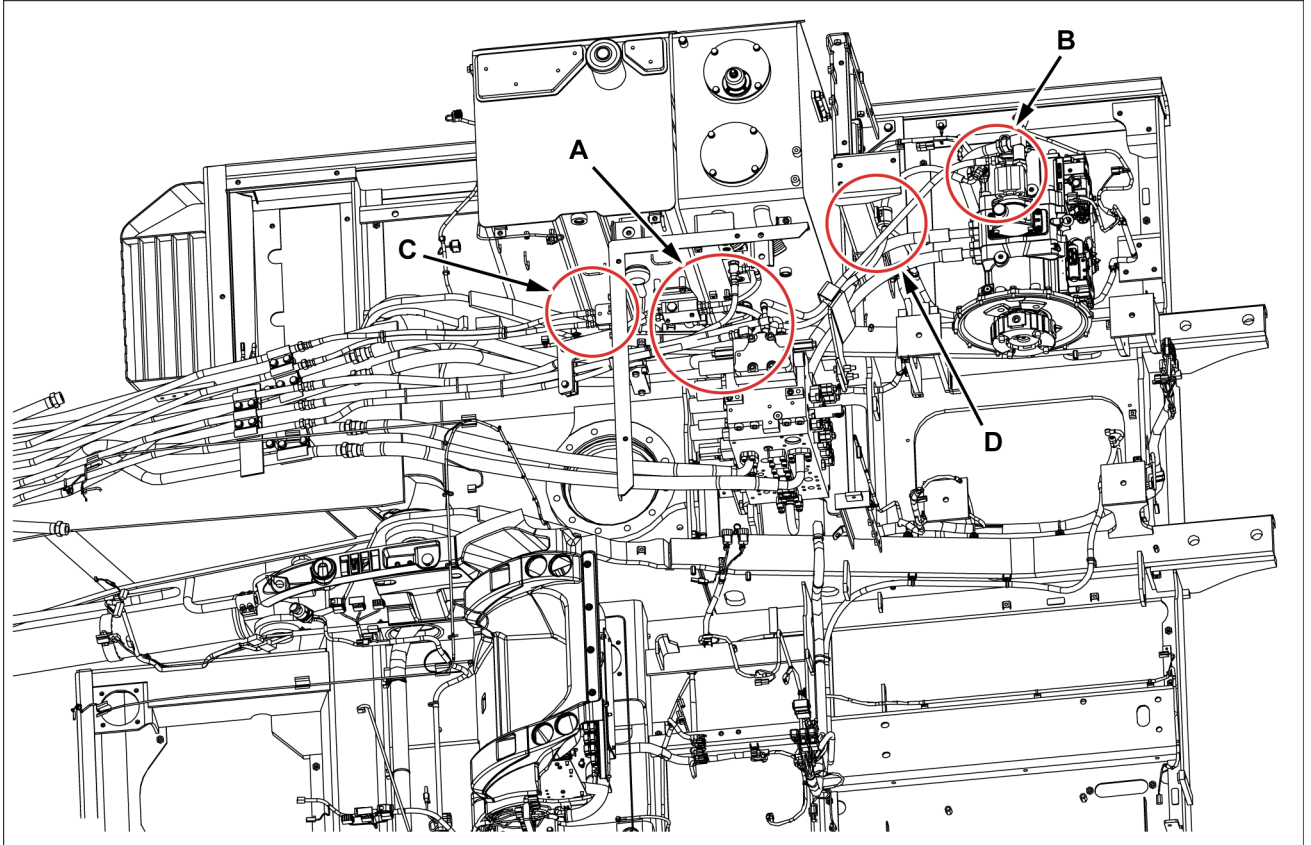
Index

	M	
Montage der Kabelbäume		3-4
Montage von Steuerleitungen		3-1
	S	
Satzinhalt		1-1
	V	
Vorbereitung		2-1

3 - ASSEMBLAGE

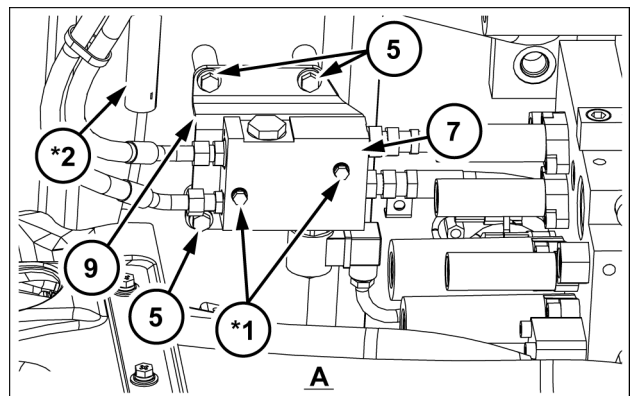
CONDUITE POUR RACCORD RAPIDE

Pose de la conduite de commande



SMIL15CEX8366FB 1

1. Poser l'électrovanne (7) sur le support (9) à l'aide de deux vis à rondelle (*1).
Poser le support (9) sur le réservoir de carburant (*2) à l'aide de trois vis à rondelle (5).

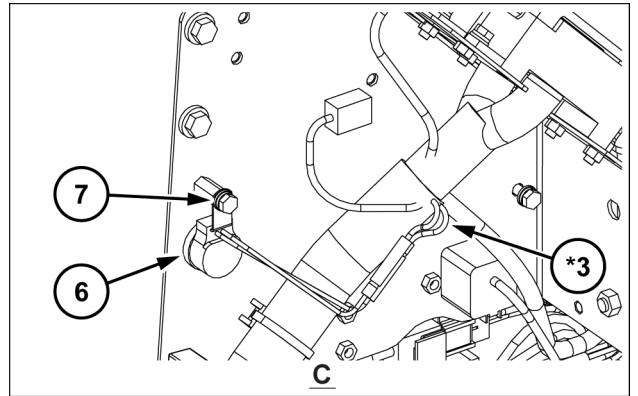


SMIL15CEX8367AB 2

Contenuto

1 CONTENUTO DEL KIT	
Contenuto del kit	1-1
2 PRE-ASSEMBLAGGIO	
OPERAZIONI PRELIMINARI PER IL MONTAGGIO	
Preparazione	2-1
3 MONTAGGIO	
TUBAZIONE ATTACCO RAPIDO	
Montaggio tubazione di comando	3-1
Montaggio del cablaggio	3-4

3. Montare il segnalatore acustico **(6)** con il bullone **(7)**.
Collegare il cablaggio **(6)** del segnalatore acustico e il
cablaggio principale **(*3)** cabina.



SMIL15CEX8377AB 4

2 - PREENSAMBLADO

PREPARACIÓN PARA MONTAJE

Preparación

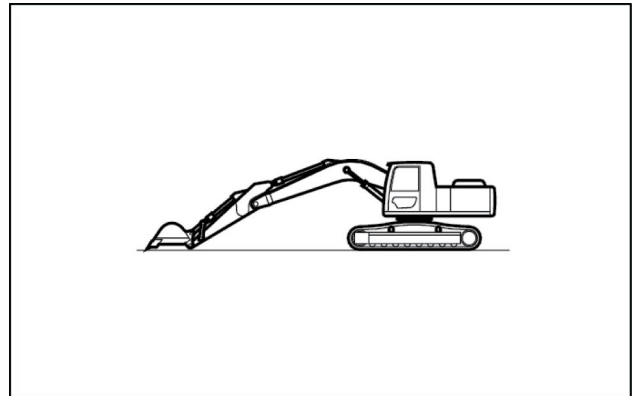
En este documento, el símbolo "*" indica que la pieza está montada en la máquina.

Elementos necesarios:

- Llaves (**10 mm**, **13 mm**, **17 mm**, **19 mm**, **22 mm**, **27 mm**)
- Llaves cerradas (**10 mm**, **13 mm**, **17 mm**, **19 mm**, **22 mm**, **27 mm**)
- Cizallas, tijeras
- Trapo

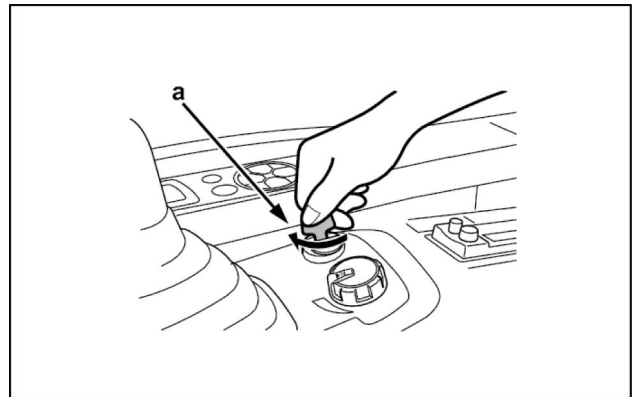
1. Coloque la máquina.

- Ponga la máquina en un suelo sólido y nivelado, ponga el cilindro de la cuchara a su apertura máxima, el cilindro del balancín a su extensión máxima, baje la pluma y ponga la parte superior del balancín en el suelo.



SMIL131I00106AA 1

2. Ponga la llave de contacto (**a**) en OFF, asegúrese de que se ha detenido el motor y ponga de nuevo la llave en ON. (No arranque el motor).



SMIL131I00107AA 2

CLICK HERE TO **DOWNLOAD** THE COMPLETE MANUAL

- Thank you very much for reading the preview of the manual.
- You can download the complete manual from: www.heydownloads.com by clicking the link below



- Please note: If there is no response to CLICKING the link, please download this PDF first and then click on it.

CLICK HERE TO **DOWNLOAD** THE COMPLETE MANUAL