



# **INSTALLATION INSTRUCTIONS**

**KG0TP475-00  
LOW FLOW HYDRAULIC KIT**

**APPROXIMATE INSTALLATION TIME: 20 hours**

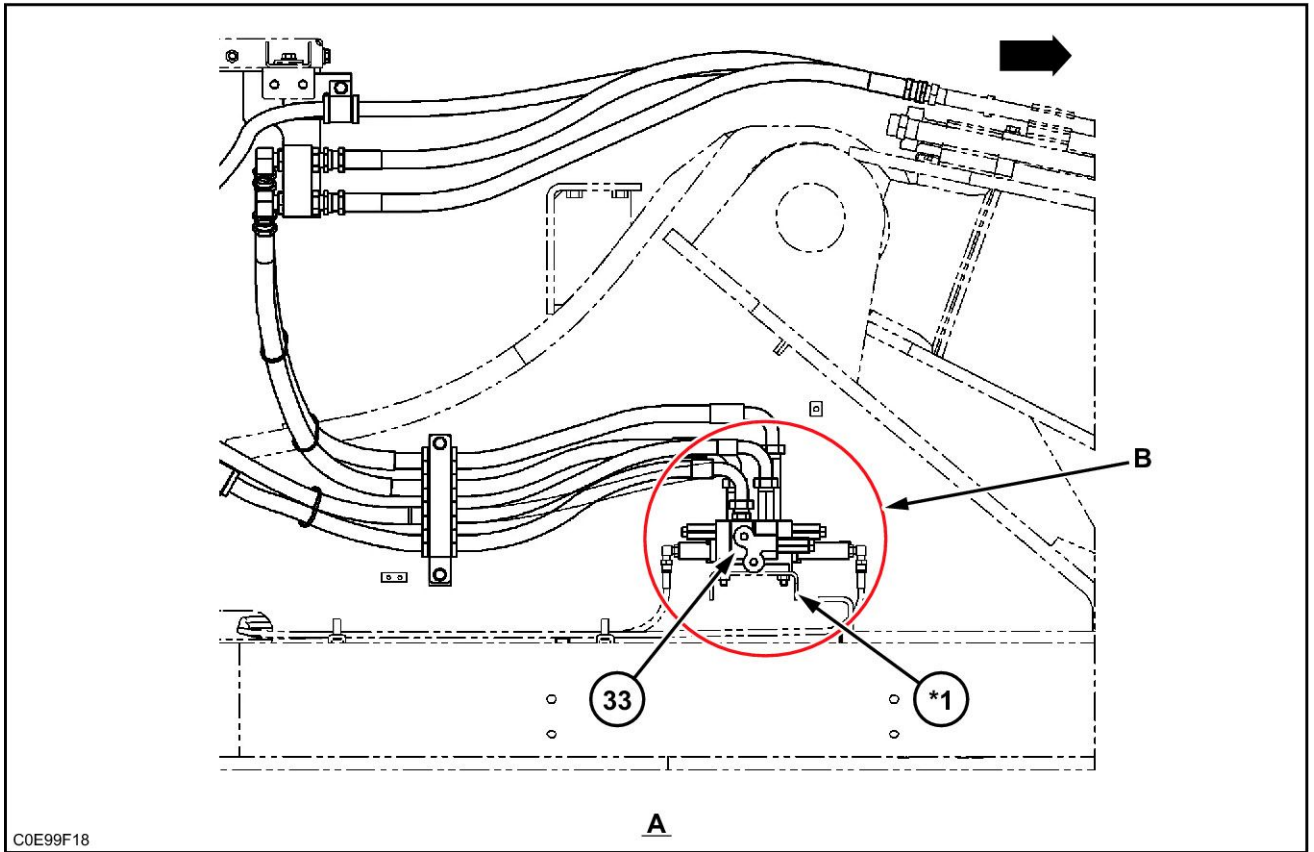
CLICK HERE TO **DOWNLOAD** THE COMPLETE MANUAL

- Thank you very much for reading the preview of the manual.
- You can download the complete manual from: [www.heydownloads.com](http://www.heydownloads.com) by clicking the link below



- Please note: If there is no response to CLICKING the link, please download this PDF first and then click on it.

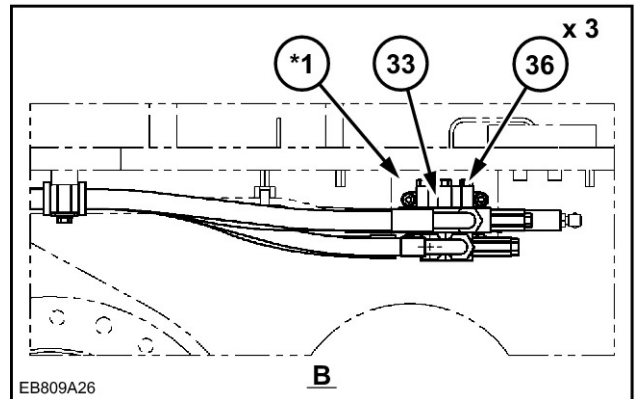
CLICK HERE TO **DOWNLOAD** THE COMPLETE MANUAL



C0E99F18 2

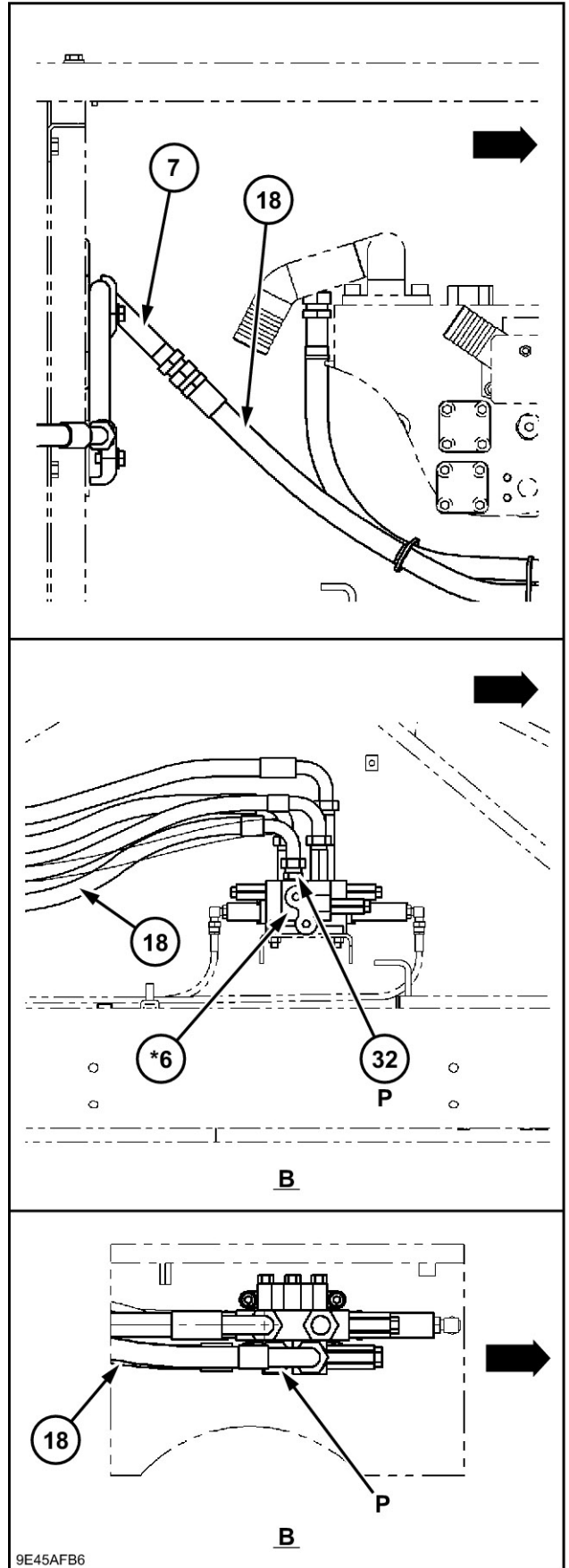
**Control valve install**

1. Install the blade control valve (**33**) on the frame (**\*1**) with 3 hexagon socket head bolts (**36**).

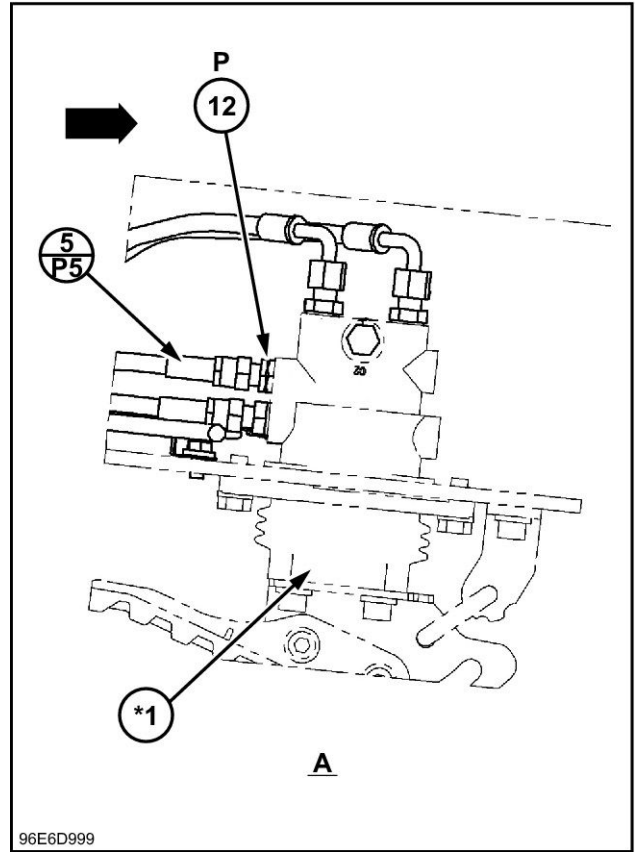


EB809A26 3

10. Install the hose adapter (**32**) on the blade control valve (**\*6**) P port.  
 Connect the blade control valve (**\*6**) P port and the line assembly (**7**) with the hydraulic hose (**18**).



3. Install the nipple (12) on the option remote control valve (\*1) P port.

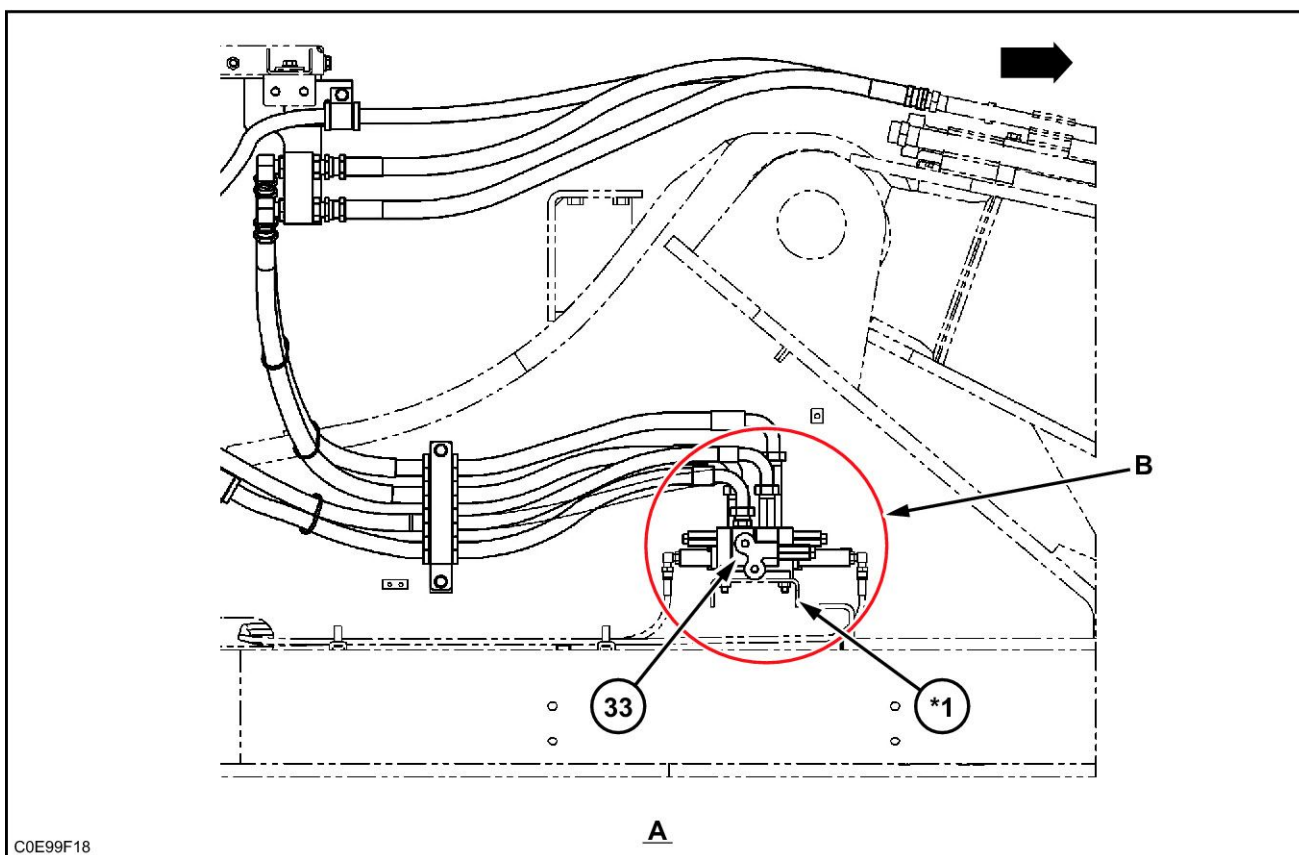




# **INSTRUCTIONS D'INSTALLATION**

**KG0TP475-00  
KIT DE CIRCUIT HYDRAULIQUE BAS DEBIT**

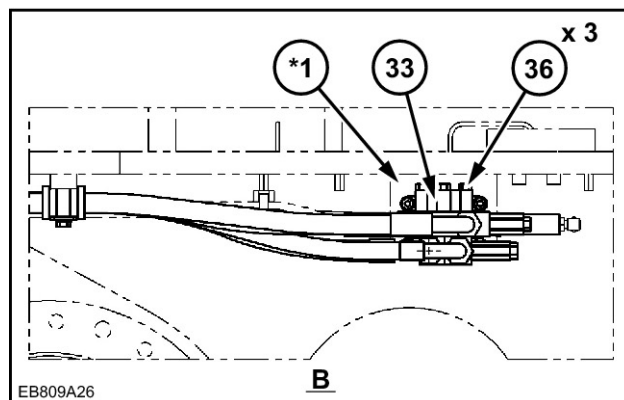
**TEMPS D'INSTALLATION APPROXIMATIF : 20 heure(s)**



C0E99F18 2

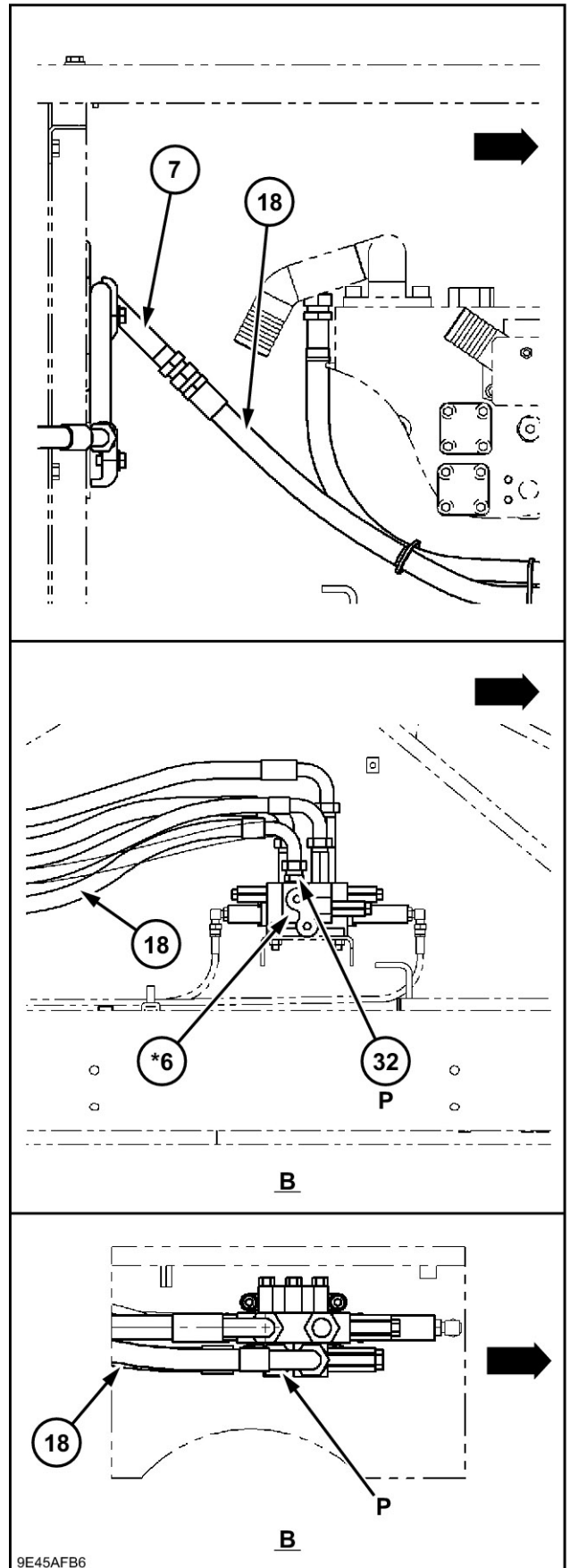
### Pose de distributeur

1. Mettre en place le distributeur de lame (33) sur le châssis (\*1) à l'aide de 3 boulons à tête creuse hexagonale (36).

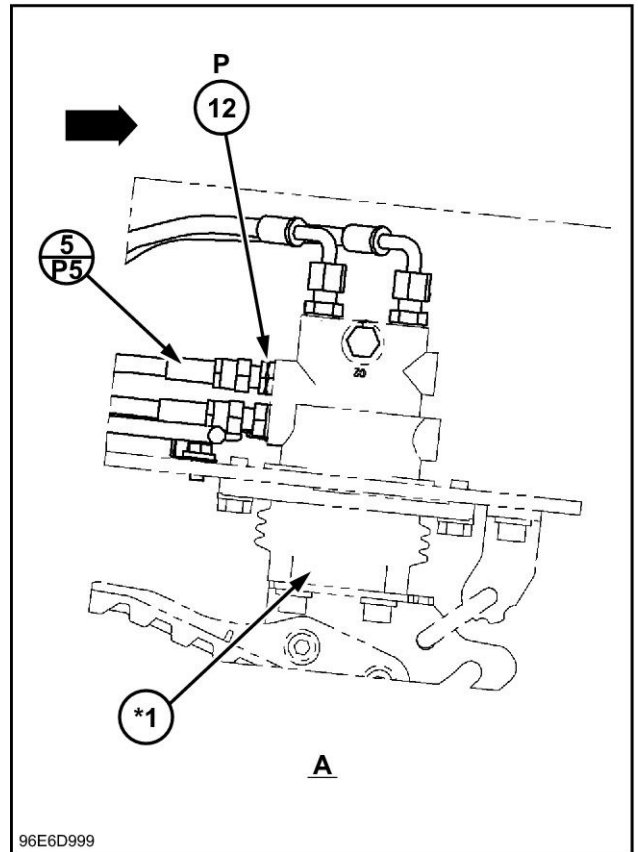


EB809A26 3

10. Mettre en place l'adaptateur de flexible (32) sur l'orifice P du distributeur de lame (\*6).  
Raccorder l'orifice P du distributeur de lame (\*6) et la conduite équipée (7) à l'aide du flexible hydraulique (18).



3. Mettre en place l'embout (12) sur l'orifice P du distributeur à distance d'option (\*1).

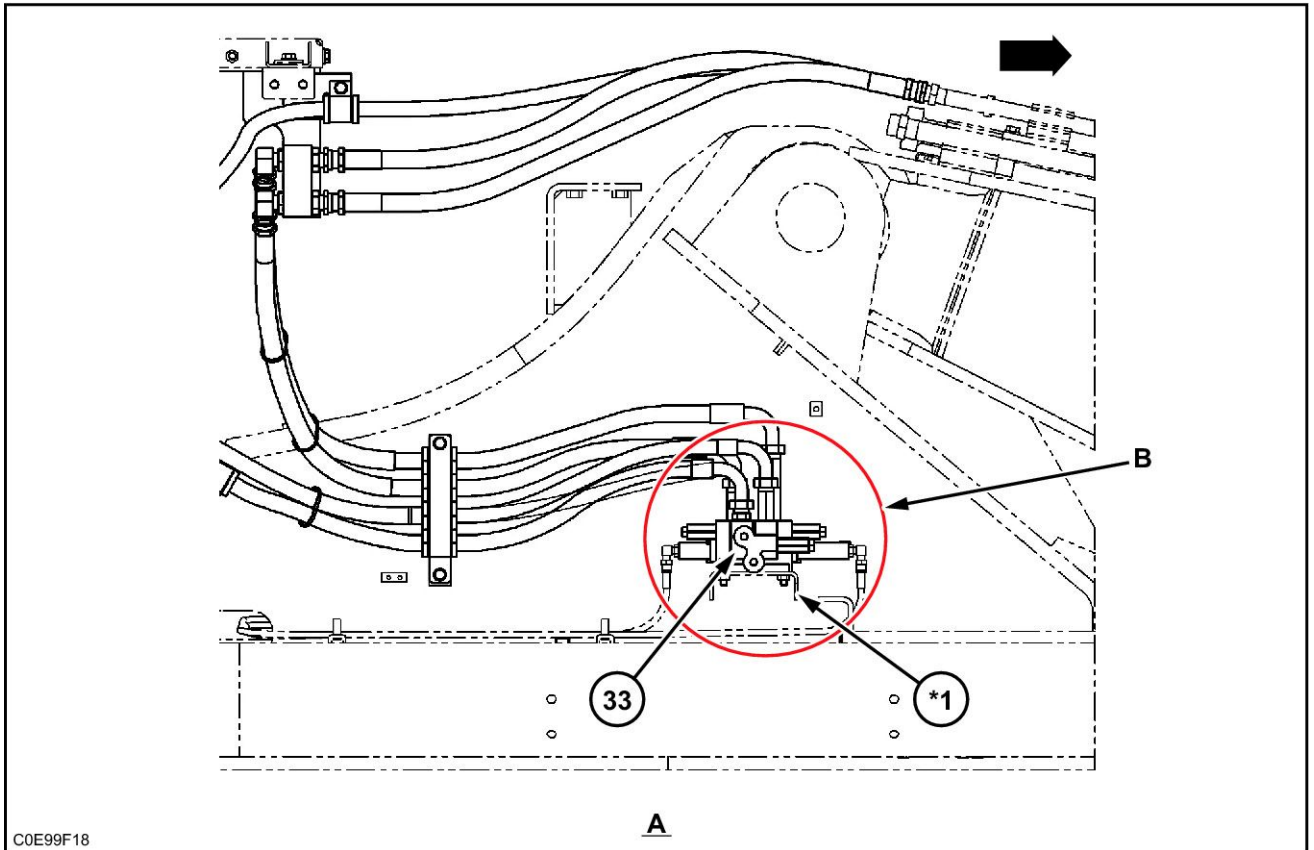




# **INSTALLATIONSANWEISUNG**

KG0TP475-00  
**HYDRAULIKSATZ FÜR KLEINE DURCHFLUSSMENGEN**

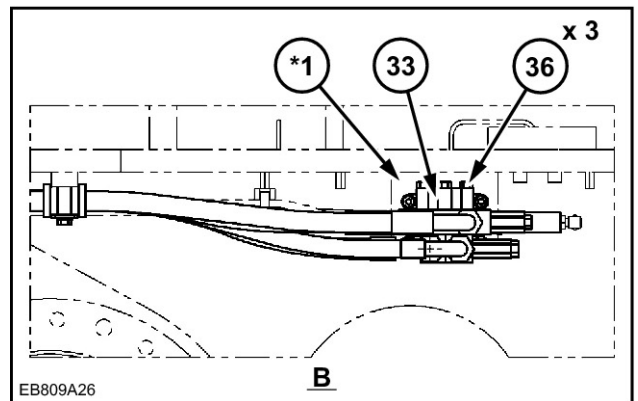
**UNGEFÄHRE EINBAUZEIT: 20 Stunden**



C0E99F18 2

**Einbau des Steuerventils**

1. Das Planierschild-Steuerventil (**33**) am Rahmen (**\*1**) mit 3 Innensechskantschrauben (**36**) anbringen.



EB809A26 3

CLICK HERE TO **DOWNLOAD** THE COMPLETE MANUAL

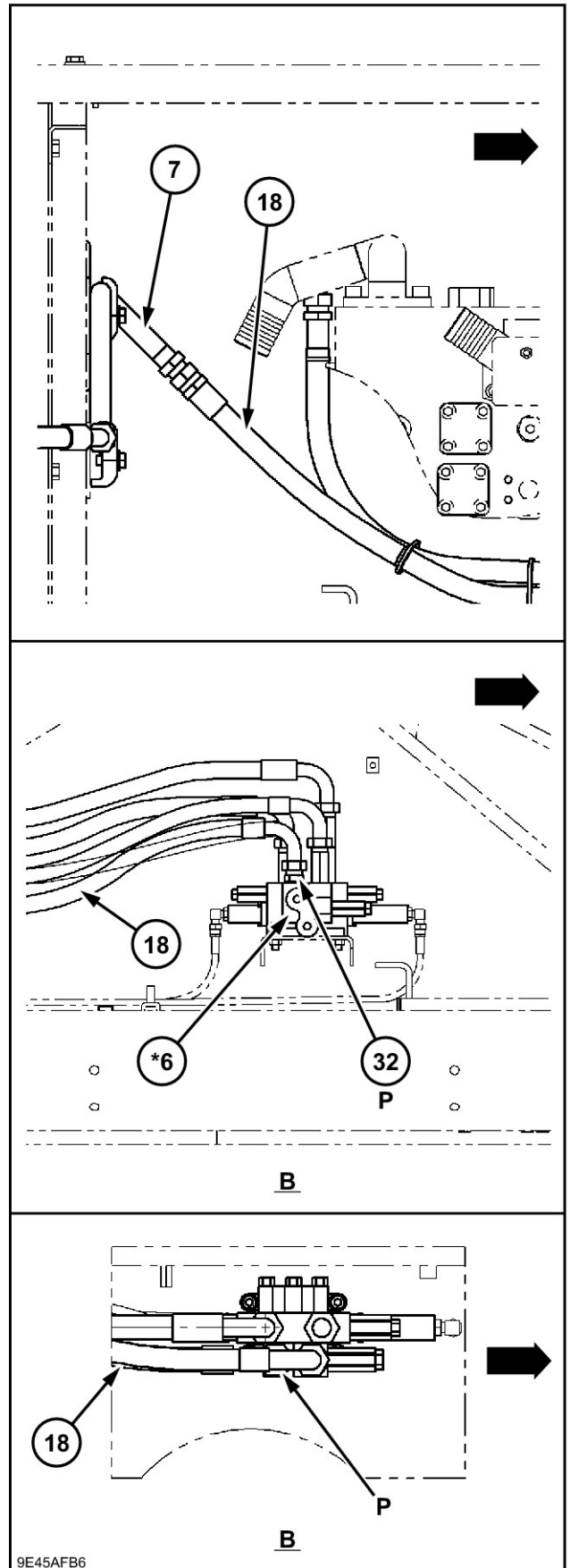
- Thank you very much for reading the preview of the manual.
- You can download the complete manual from: [www.heydownloads.com](http://www.heydownloads.com) by clicking the link below



- Please note: If there is no response to CLICKING the link, please download this PDF first and then click on it.

CLICK HERE TO **DOWNLOAD** THE COMPLETE MANUAL

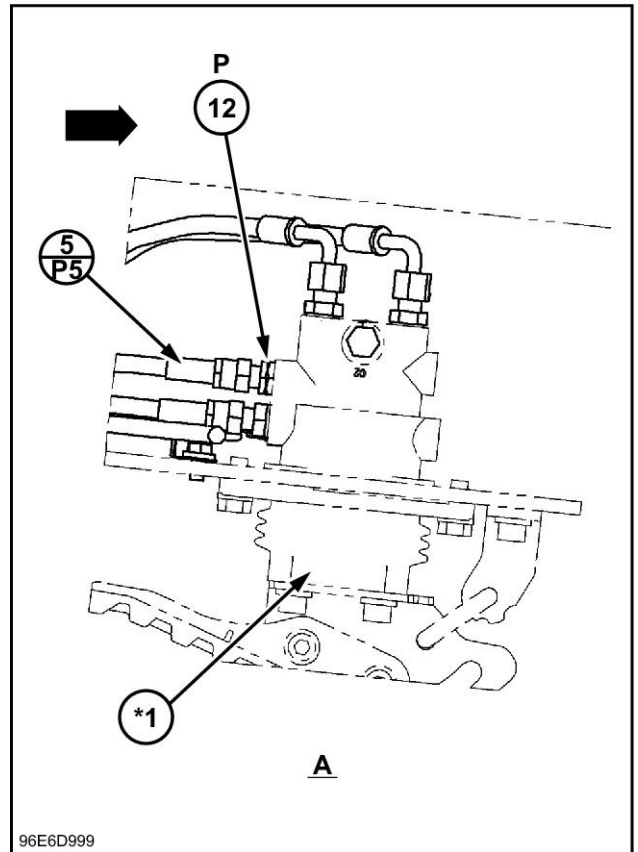
10. Den Schlauchadapter (32) an Anschluss P des Planierschild-Steuerventils (\*6) anbringen.  
Den Anschluss P des Planierschild-Steuerventils (\*6) und die Leitungsbaugruppe (7) mit dem Hydraulikschlauch (18) verbinden.



9E45AFB6

9E45AFB6 12

3. Den Nippel (12) an Anschluss P des Zusatzausstattungs-Fernsteuerventils (\*1) anbringen.



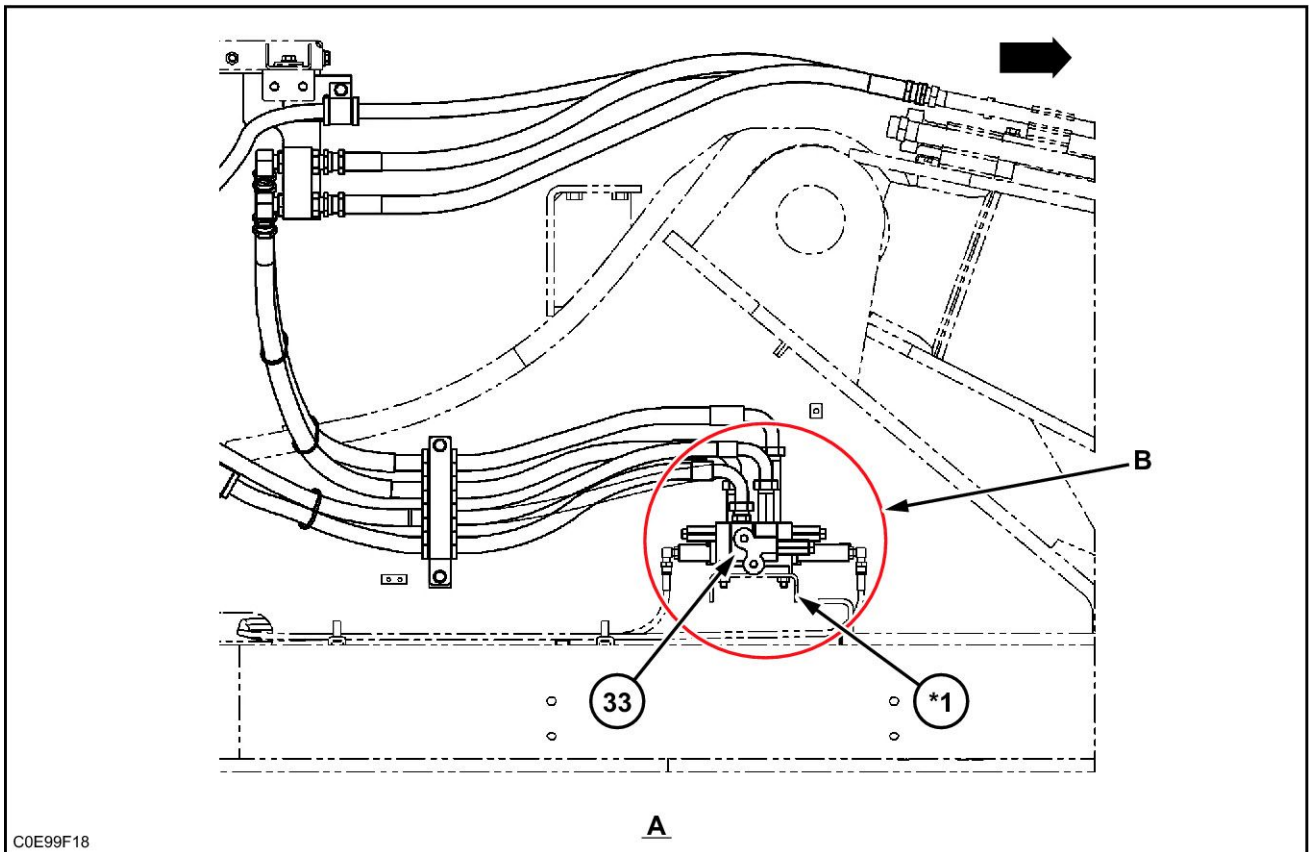
96E6D999 6



# **INSTRUCCIONES DE INSTALACIÓN**

KG0TP475-00  
**KIT HIDRÁULICO DE BAJO FLUJO**

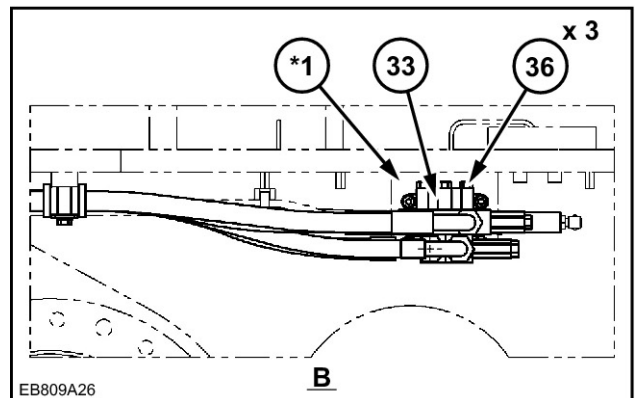
**TIEMPO DE INSTALACIÓN APROXIMADO: 20 horas**



C0E99F18 2

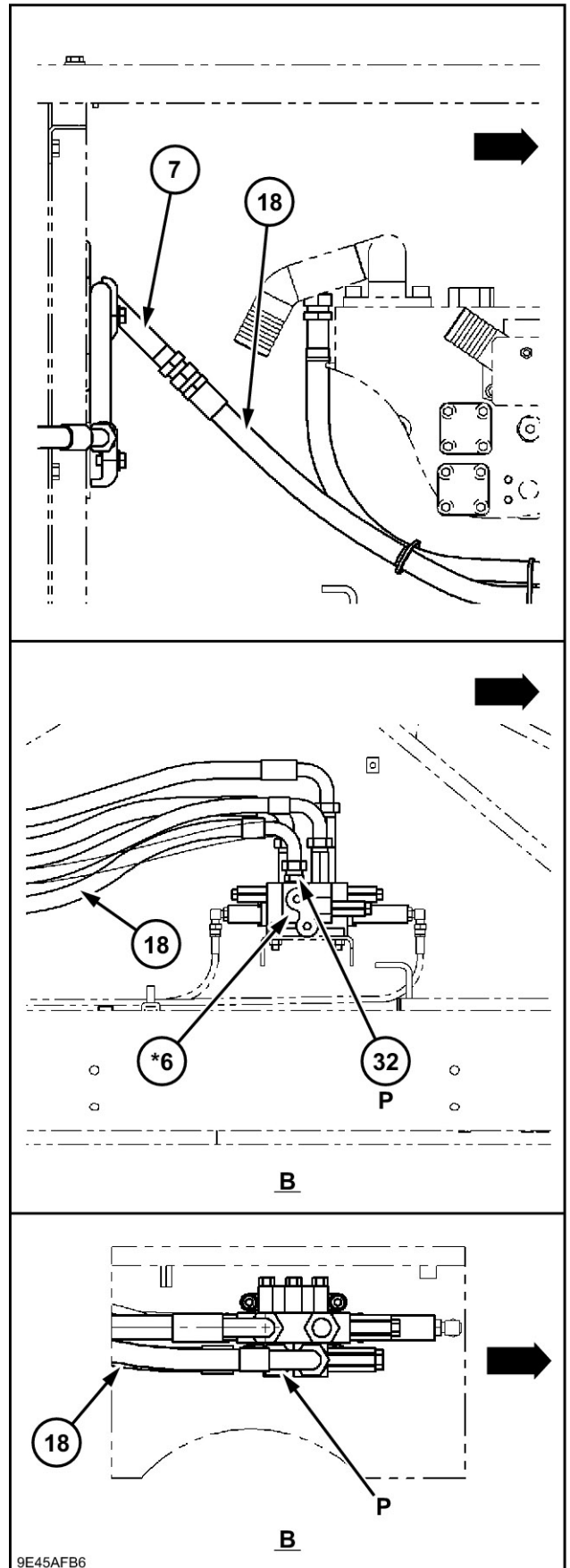
### Instalación de la válvula de control

1. Instalar la válvula de control de cuchilla (33) en el bastidor (\*1) con 3 pernos de cabeza hueca hexagonal (36).

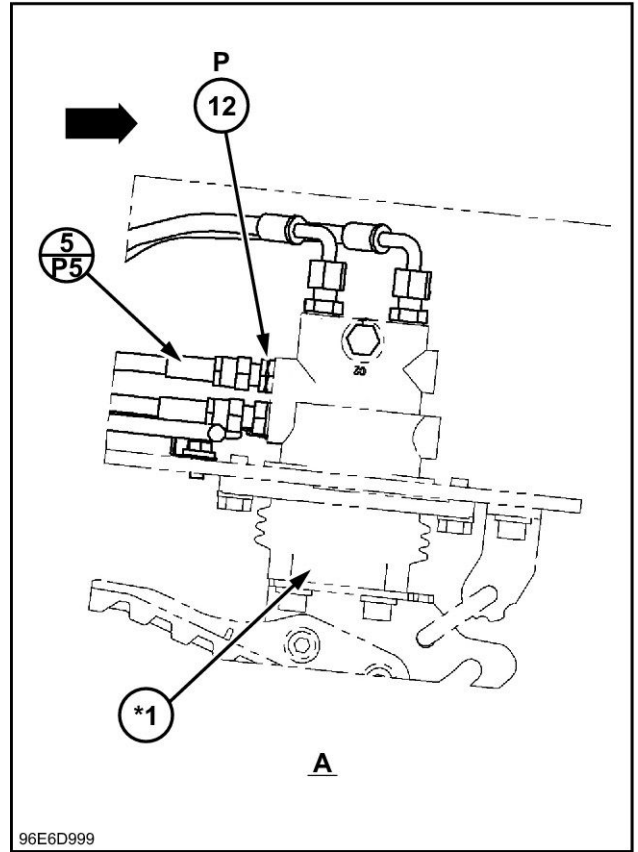


EB809A26 3

10. Instalar el adaptador de tubo flexible (32) en el orificio P de la válvula de control (\*6). Conectar el orificio P de la válvula de control de cuchilla (\*6) y el conjunto conducto (7) con el tubo flexible hidráulico (18).



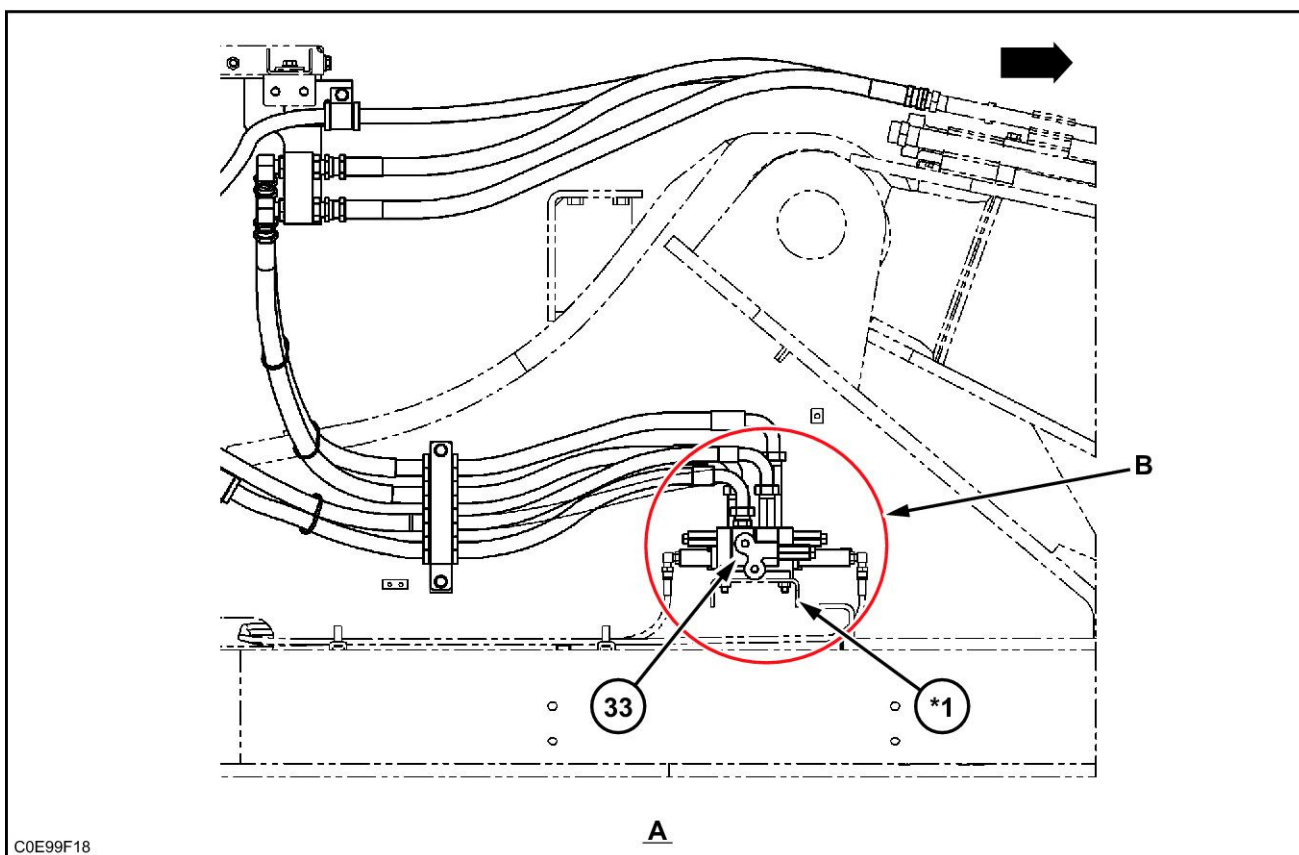
3. Instalar la boquilla (12) en orificio P de la válvula de control remoto opcional (\*1).



# **ISTRUZIONI DI MONTAGGIO**

**KG0TP475-00  
KIT IDRAULICO A BASSA PORTATA.**

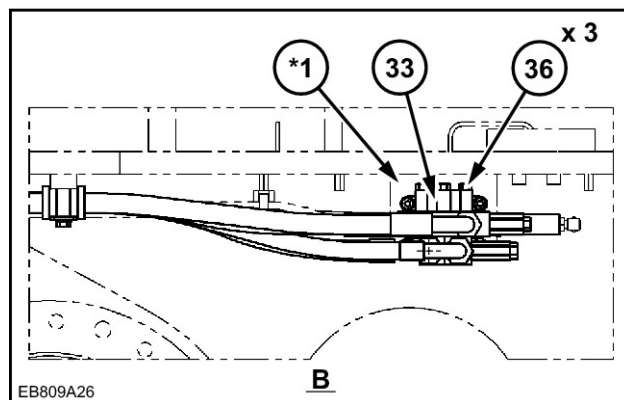
**TEMPO DI MONTAGGIO APPROSSIMATIVO: 20 ore**



C0E99F18 2

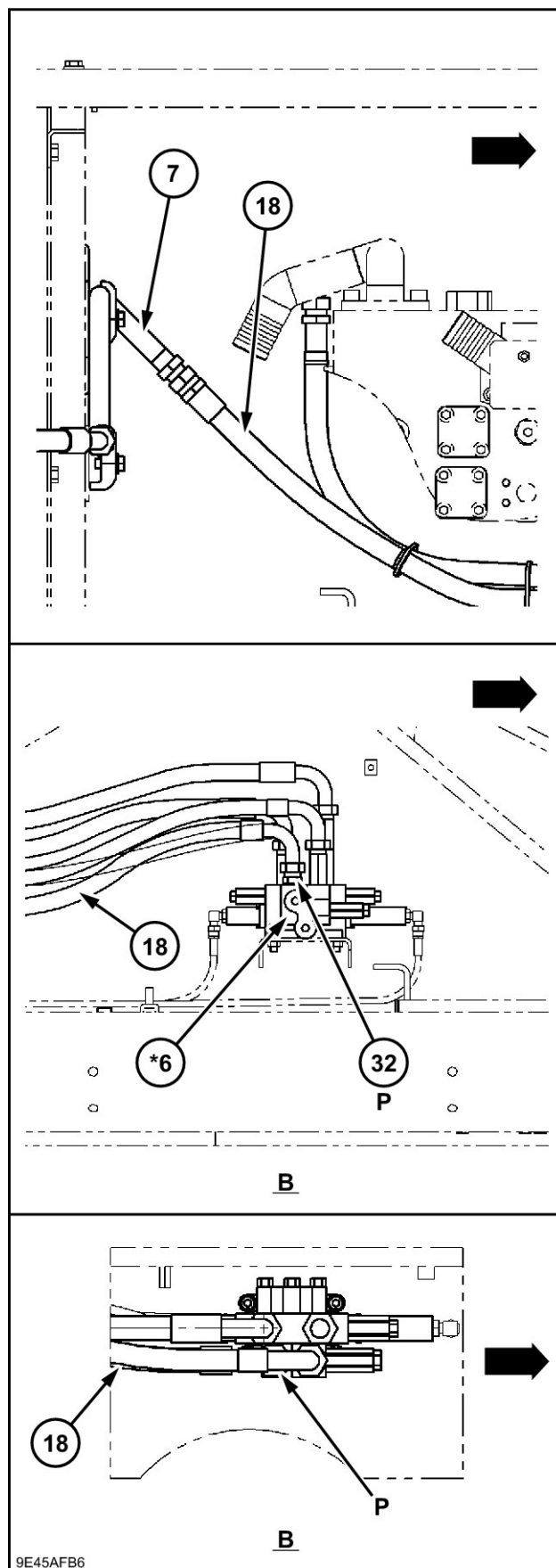
### Montaggio del distributore

1. Montare il distributore (33) della lama sul telaio (\*1) con 3 viti a brugola (36).

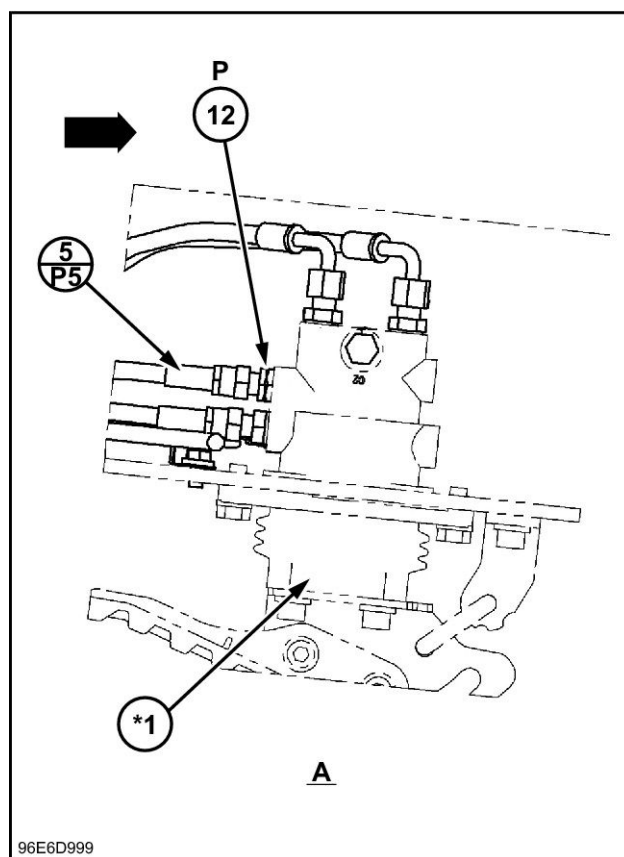


EB809A26 3

10. Montare l'adattatore del flessibile (32) sul foro P del distributore (\*6) della lama.  
Collegare il foro P del distributore (\*6) della lama e il gruppo della linea (7) al flessibile idraulico (18).



3. Montare l'ugello (12) sul foro P del comando remoto dell'opzione (\*1).



CLICK HERE TO **DOWNLOAD** THE COMPLETE MANUAL

- Thank you very much for reading the preview of the manual.
- You can download the complete manual from: [www.heydownloads.com](http://www.heydownloads.com) by clicking the link below



- Please note: If there is no response to CLICKING the link, please download this PDF first and then click on it.

CLICK HERE TO **DOWNLOAD** THE COMPLETE MANUAL