



# **INSTALLATION INSTRUCTIONS**

**KG0BP891-00  
OPTION LINE ON DIPPER**

**APPROXIMATE INSTALLATION TIME: 6 hours**

CLICK HERE TO **DOWNLOAD** THE COMPLETE MANUAL

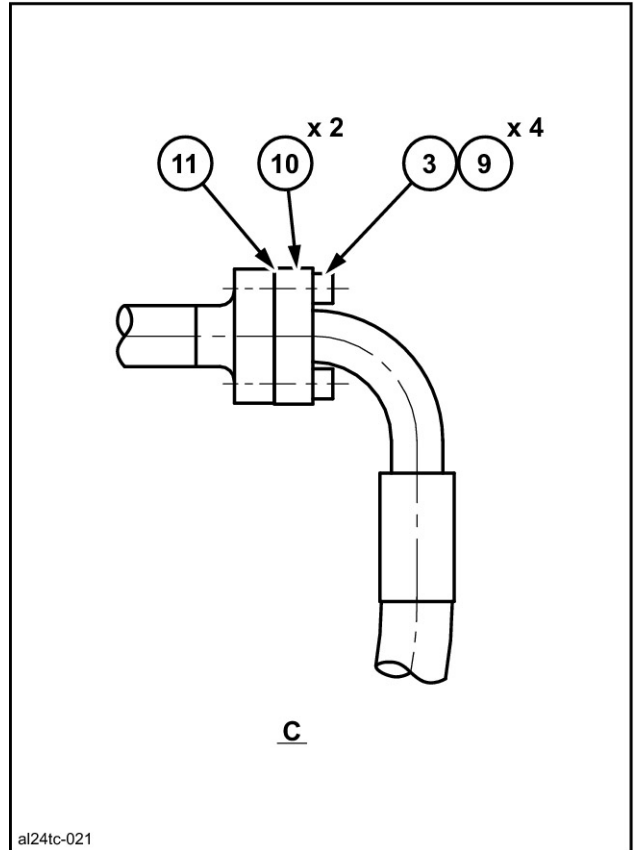
- Thank you very much for reading the preview of the manual.
- You can download the complete manual from: [www.heydownloads.com](http://www.heydownloads.com) by clicking the link below



- Please note: If there is no response to CLICKING the link, please download this PDF first and then click on it.

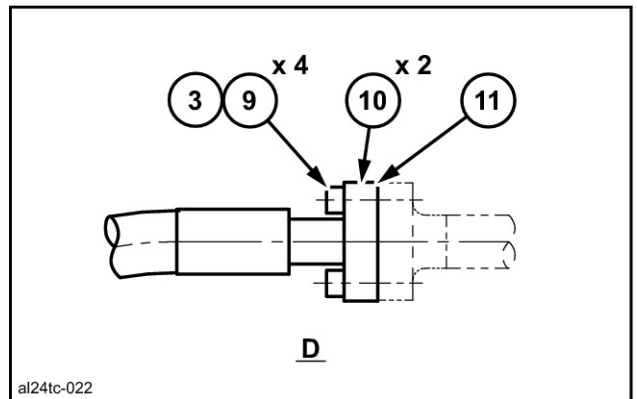
CLICK HERE TO **DOWNLOAD** THE COMPLETE MANUAL

6. After setting the O-ring (11) on the line assembly (left) (13), connect the hydraulic hose (14) with the 2 split flanges (10) and the 4 hexagon socket head bolts (9).  
 • Apply **LOCTITE® 262 (3)** on the threaded sections of the hexagon socket head bolts (9).



AL24TC-021 7

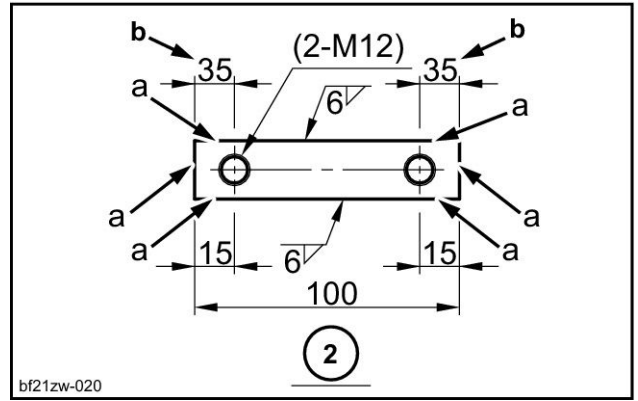
7. After setting the O-ring (11) on the boom line (left) (\*1), connect the hydraulic hose (14) with the 2 split flanges (10) and the 4 hexagon socket head bolts (9).  
 • Apply **LOCTITE® 262 (3)** on the threaded sections of the hexagon socket head bolts (9).



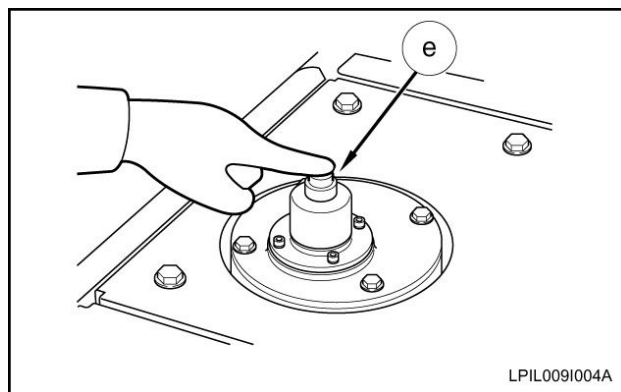
AL24TC-022 8

8. Install the line assembly (right) (12) in the same way as the line assembly (left) (13).  
 • Replace where it says boom line (left) (\*1) with boom line (right) (\*2) in the procedures above.

2. Mettre en place les 4 embases **(2)** sur le balancier.
- Sceller les emplacements repérés par un **a**.
  - Ne pas souder sur les largeurs repérées par un **b** (des deux côtés).



4. Den Druck aus dem Hydraulikbehälter ablassen.  
Den Entlüftungsknopf (e) auf dem Hydraulikbehälter drücken, um den Druck aus dem Behälter abzulassen.



LPIL009I004A

LPIL009I004A 4

## 2 - INFORMACIÓN GENERAL

### Consejo

CX300C

**NOTA:** En este documento, un símbolo "\*\*\*" indica que la pieza está montada en la máquina. (por ejemplo (\*n)).

### Elementos a preparar

- Llaves:
  - 19 mm (0.7 in)**
  - 46 mm (1.8 in)**
  - 50 mm (2.0 in)**
- Llaves tubulares:
  - 19 mm (0.7 in)**
  - 46 mm (1.8 in)**
  - 50 mm (2.0 in)**
- Llave hexagonal:
  - 12 mm (0.5 in)**
- Equipos de soldadura
- Trapo

**NOTA:** Se indican en estas instrucciones los pares específicos.  
Si no se indica ningún par, utilizar los pares estándar del Manual de mantenimiento.

**NOTA:** Las dimensiones de las figuras se indican en **mm**

**NOTA:**  Esta flecha (utilizada en las ilustraciones) indica el lado delantero de la máquina.

# Contenuto

---

## 1 CONTENUTO DEL KIT

Specifiche generali (Bilanciere standard - 3,18 m) ..... 1-4

## 2 GENERALITÀ

Notifica ..... 2-5

## 3 MONTAGGIO

### SCAVO Martello

Tubazione idraulica - Depressurizzazione..... 3-6

Tubazione idraulica - Montaggio ..... 3-8

---

CLICK HERE TO **DOWNLOAD** THE COMPLETE MANUAL

- Thank you very much for reading the preview of the manual.
- You can download the complete manual from: [www.heydownloads.com](http://www.heydownloads.com) by clicking the link below



- Please note: If there is no response to CLICKING the link, please download this PDF first and then click on it.

CLICK HERE TO **DOWNLOAD** THE COMPLETE MANUAL