



INSTALLATION INSTRUCTIONS

KG1BP649-00

SECOND OPTION LINE PROPORTIONAL CONTROL KIT (PLUS OPTION ONE)

APPROXIMATE INSTALLATION TIME: 20.0 hours

CLICK HERE TO **DOWNLOAD** THE COMPLETE MANUAL

- Thank you very much for reading the preview of the manual.
- You can download the complete manual from: www.heydownloads.com by clicking the link below



- Please note: If there is no response to CLICKING the link, please download this PDF first and then click on it.

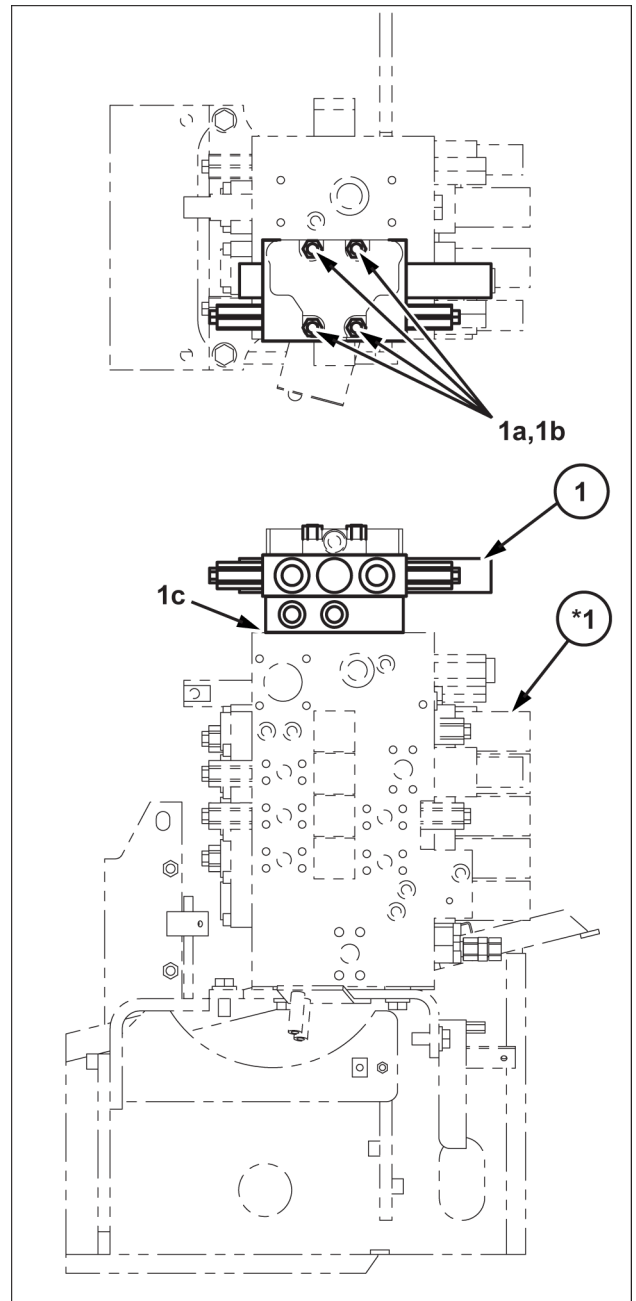
CLICK HERE TO **DOWNLOAD** THE COMPLETE MANUAL

Installation of control valve

1. Install the add-on second option control valve **(1)** on the control valve **(*1)** with the four nuts **(1a)** and four tie rods **(1b)**.

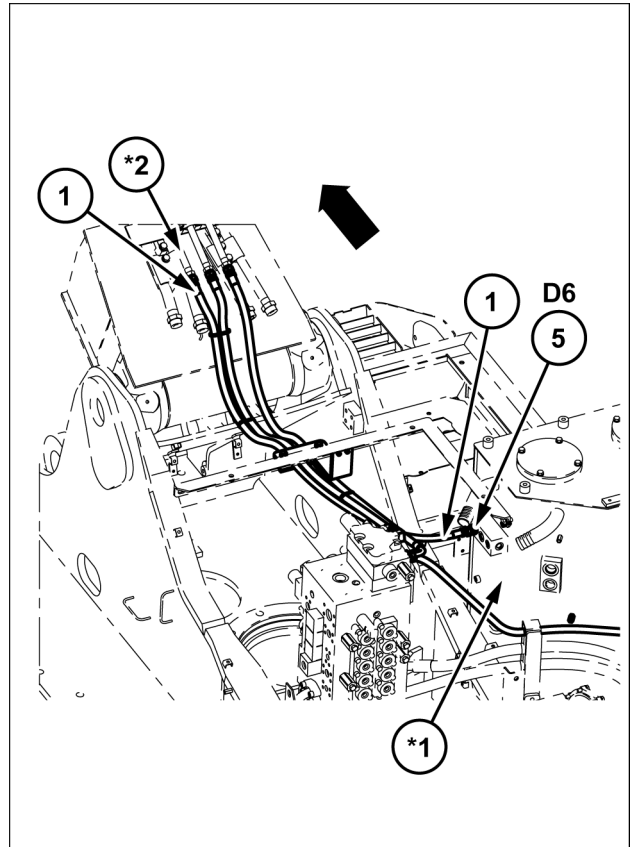
- Tightening torque: **116 - 128 N·m (85.557 - 94.408 lb ft)**

Replace the O-ring **(1c)** and tie rods **(1b)** with new ones. The nuts **(1a)**, tie rods **(1b)**, and O-ring **(1c)** are accessories for the add-on second option control valve.



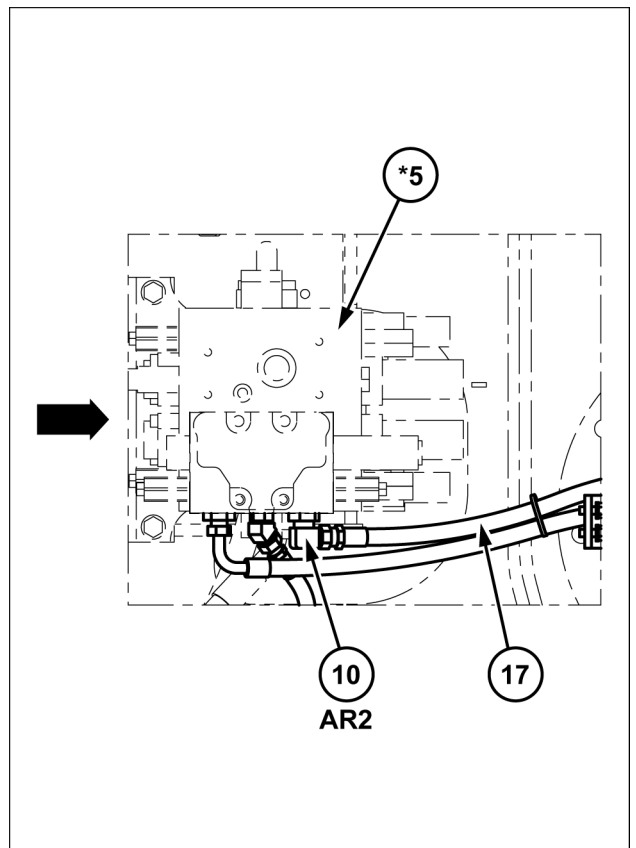
SMIL15CEX8188CB 1

1. Install the hose adapter (5) on the hydraulic tank (*1) D6 port.
Connect the hydraulic tank (*1) D6 port and the line assembly (drain) (*2) with the hydraulic hose (1).



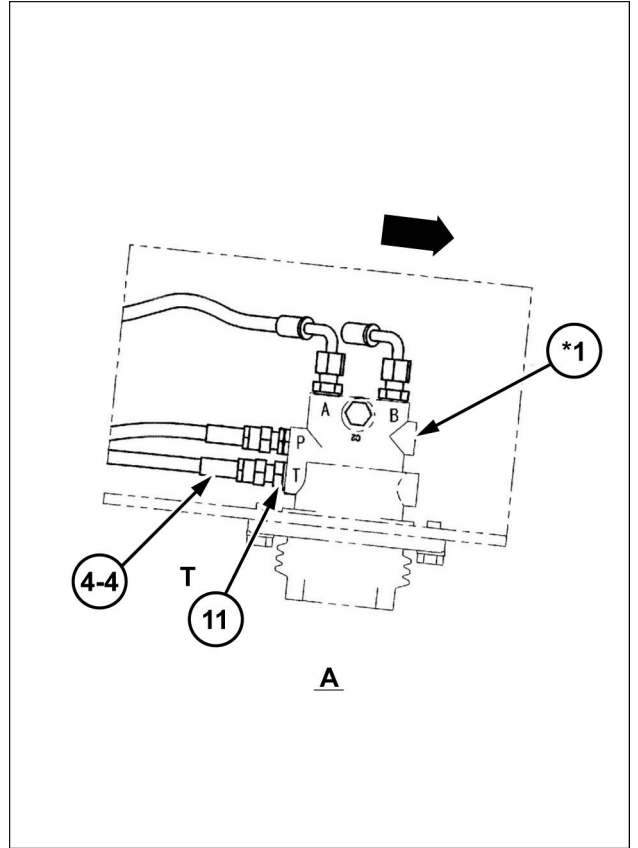
SMIL15CEX8206BB 2

2. Install the elbow (10) on the control valve (*5) AR2 port.



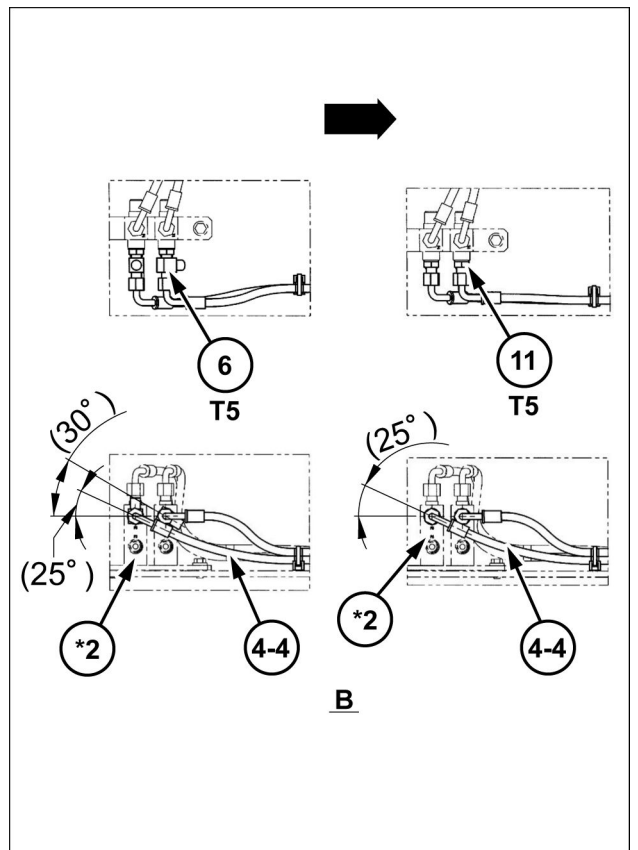
SMIL15CEX8207BB 3

1. Install the hose adapter (11) on the option remote control valve (*1) T port.



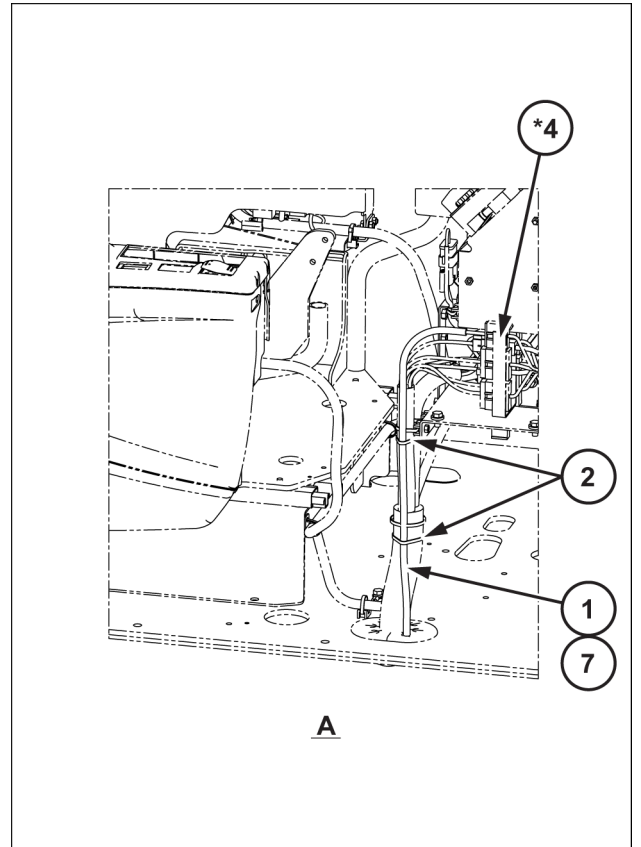
SMIL15CEX8224BB 4

2. Install the hose adapter (11) or the tee (6) at the manifold (*2) T5 port.
Connect the option remote control valve (*1) T port and manifold (*2) T5 port with the nylon hose (4-4).



SMIL15CEX8225BB 5

7. Extend the wire harnesses **(1)** **(7)** from under the cab to the floor side.
Connect the wire harnesses **(1)** **(7)** CN.A57 (16-pin) to the cab main harness **(*4)** and fasten with two wire bands **(2)**.

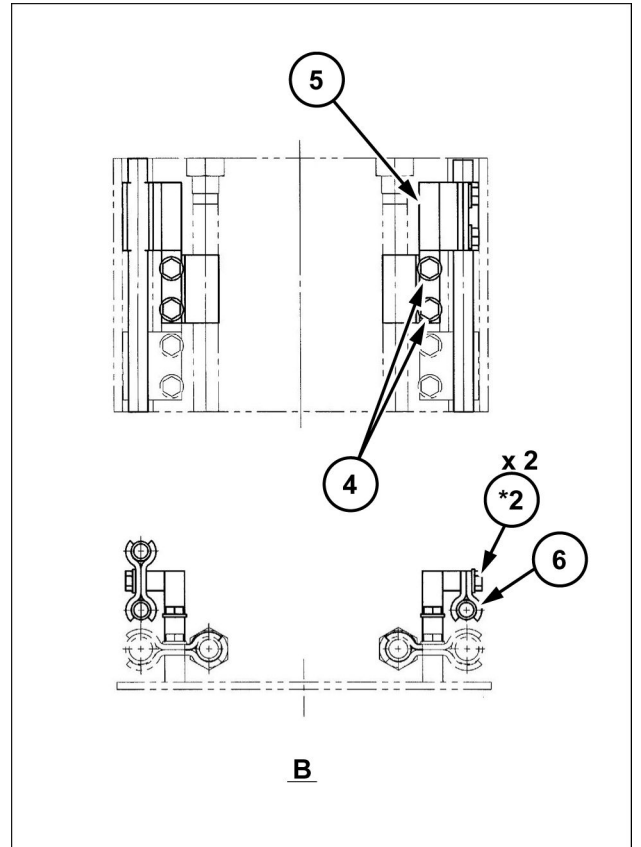


SMIL15CEX7970BB 9

1 - 套件所含物品

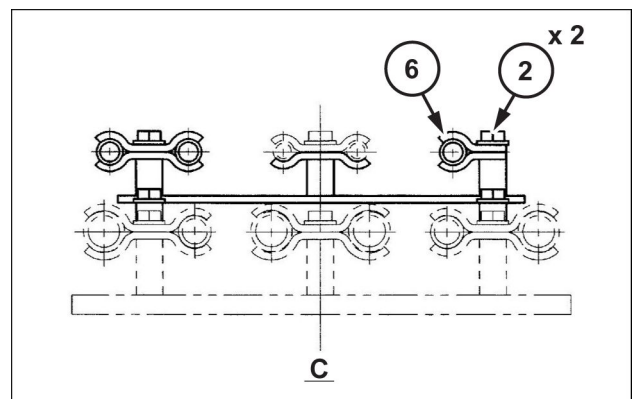
项目	描述	数量	部件参考号
15	塞子 G1/2	3	KHJ0480
17	管路总成 (左)	2	KBV15670

3. 用两颗 SEMS 螺栓 (4) 紧固阀座 (动臂右上) (5) 和管道夹 (6)。
 用一个管道夹具 (6) 和两颗 SEMS 螺栓 (*2) 紧固管路总成 (右) (10)。
- 从管路总成 (右) (10) 的前端在位置 93 mm (3.7 in) 紧固管道夹具 (6)。



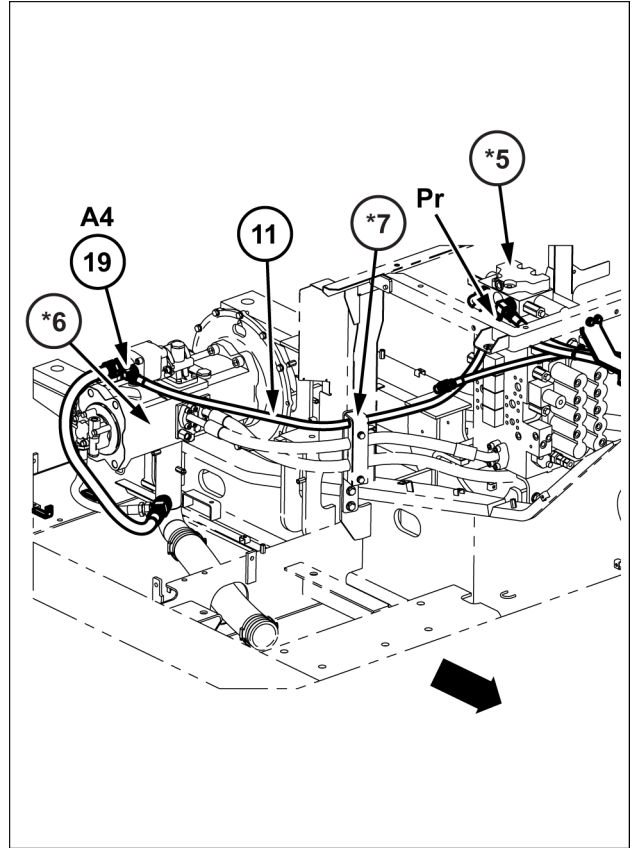
SMIL15CEX8196BB 8

4. 用一个管道夹具 (6) 和两颗 SEMS 螺栓 (2) 在两个位置分别紧固管路总成 (右) (10)。



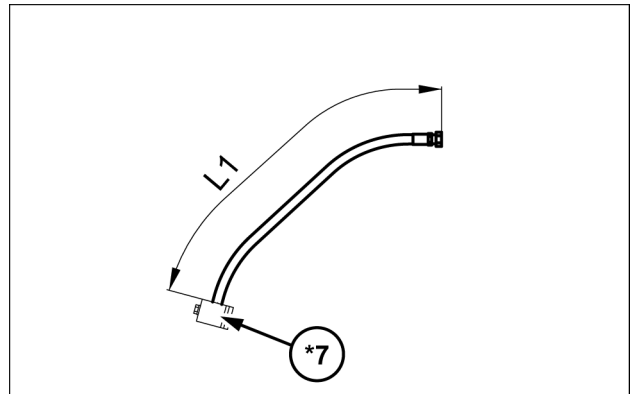
SMIL15CEX8197AB 9

9. 在液压泵 (*6) A4 端口上安装弯管 (19)。
将控制阀 (*5) Pr 端口和液压泵 (*6) A4 端口和液压软管 (11) 连接。



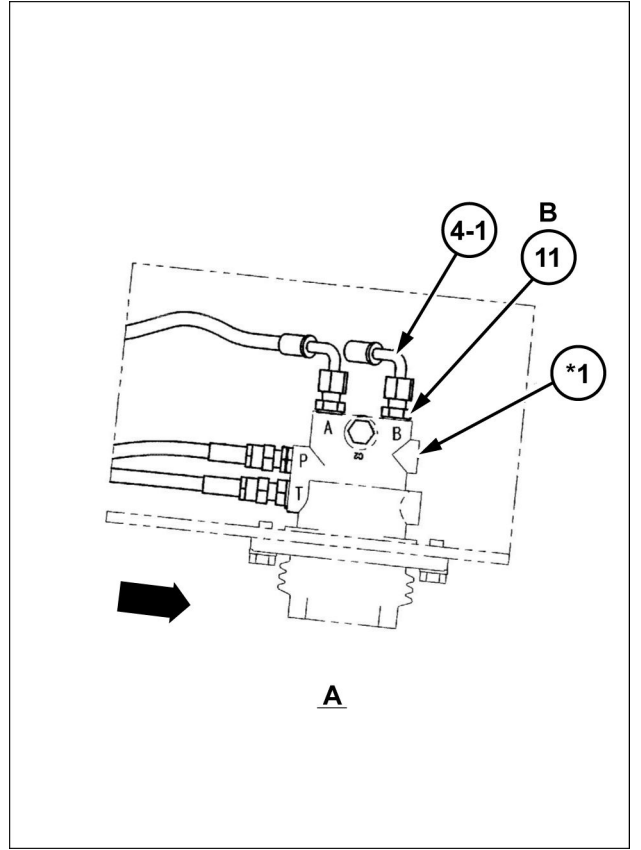
SMIL15CEX8214BB 10

10. 用夹具 (*7) 紧固液压软管 (11)。
• L1 : 710 mm (27.953 in)



SMIL15CEX8215AB 11

7. 在选配远程控制阀 (*1) B 端口上安装软管接头 (11)。



SMIL15CEX8230BB 10

CLICK HERE TO **DOWNLOAD** THE COMPLETE MANUAL

- Thank you very much for reading the preview of the manual.
- You can download the complete manual from: www.heydownloads.com by clicking the link below



- Please note: If there is no response to CLICKING the link, please download this PDF first and then click on it.

CLICK HERE TO **DOWNLOAD** THE COMPLETE MANUAL