



## **INSTALLATION INSTRUCTIONS**

47999851  
**BRAZIL ON-ROAD KIT**

**APPROXIMATE INSTALLATION TIME: 6.0 hours**

CLICK HERE TO **DOWNLOAD** THE COMPLETE MANUAL

- Thank you very much for reading the preview of the manual.
- You can download the complete manual from: [www.heydownloads.com](http://www.heydownloads.com) by clicking the link below

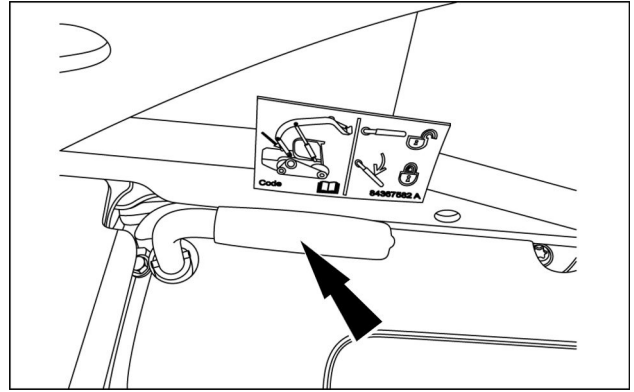


- Please note: If there is no response to CLICKING the link, please download this PDF first and then click on it.

CLICK HERE TO **DOWNLOAD** THE COMPLETE MANUAL

26. Rotate the lock lever toward the operator's seat (clockwise) to engage the lock pin(s).

**NOTE:** The lock lever for the lift arm is located on the left-hand side of the operator's seat. See the instructional sign located by the lock lever.

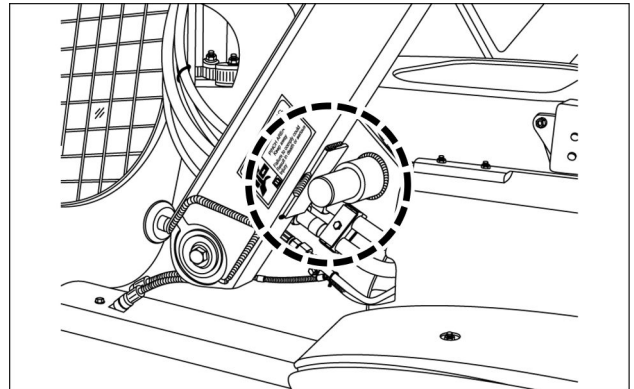


93109334 14

27. Stop the engine.

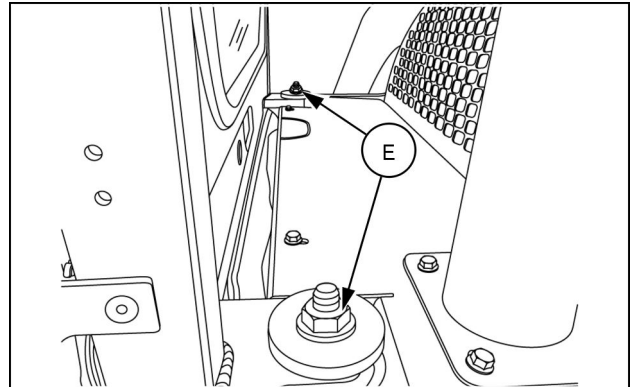
28. Gently lower the loader arm onto the lock pin(s).

**NOTE:** The loader arm can be lowered onto the lock pin(s) by pulling up on the red control knob located near the right-hand side of the operator's seat.



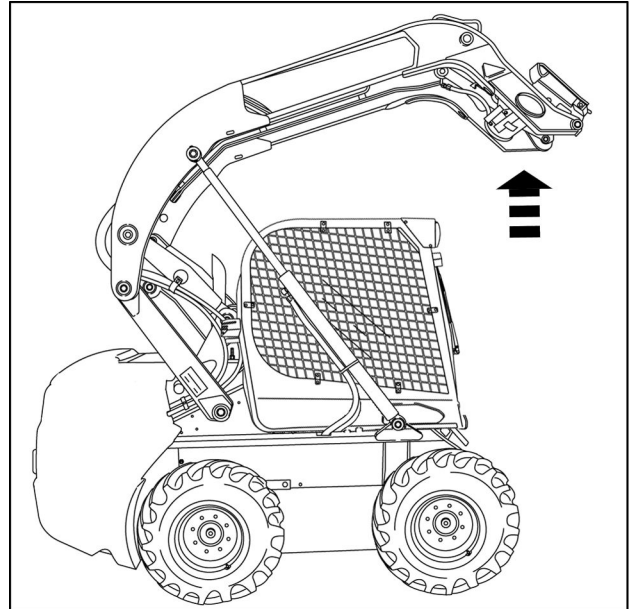
93107457 15

29. Remove the two, rear retaining nuts (E).



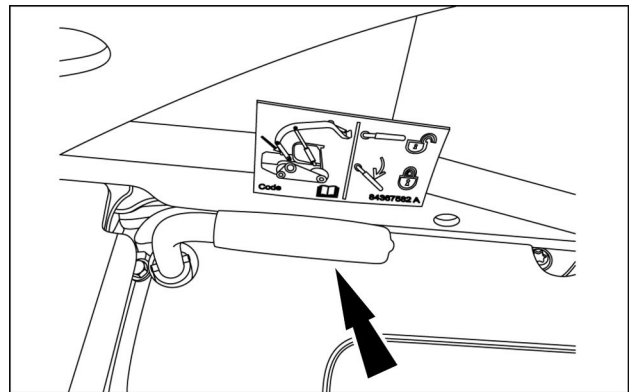
931001633 16

- 76. Start the engine, and engage the hydraulics.
- 77. Fully raise the loader arm.



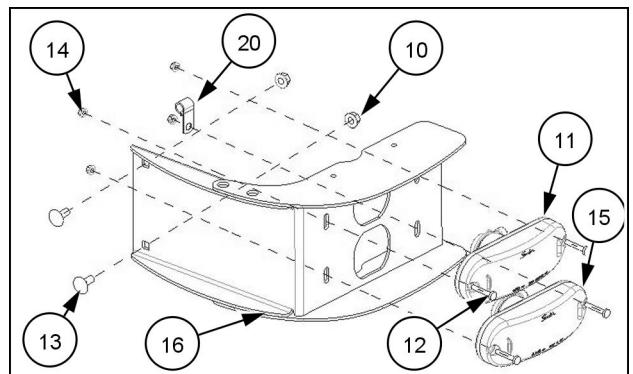
RAPH14SSL0351BA 48

- 78. Rotate the lock lever away from the seat (counter clockwise) to retract the lock pin(s).
- 79. Slowly lower the loader arm.
- 80. Turn the engine "OFF".
- 81. Remove the key.



93109334B 49

- 82. Assemble the left-hand rear light by installing the red tail and stop lamp (11) in the top position of the bracket (16) using two screws (12), and two nuts (14).
- 83. Install the amber turn lamp (15) in the bottom position of the bracket using two screws (12), and two nuts (14). Attach the clip (20) to the inside mounting bolt of the amber lamp. The clip will be used to secure the harness once installed.
- 84. Place foam (17) in between the bracket and the chassis just to the rear of the bolts. Bolt the assembled lights, and bracket onto the left-hand rear chassis, using two bolts (13), and two nuts (10) in position shown.
- 85. Repeat steps 82 – 84 for the right-hand side.



RAPH14SSL0507AA 50

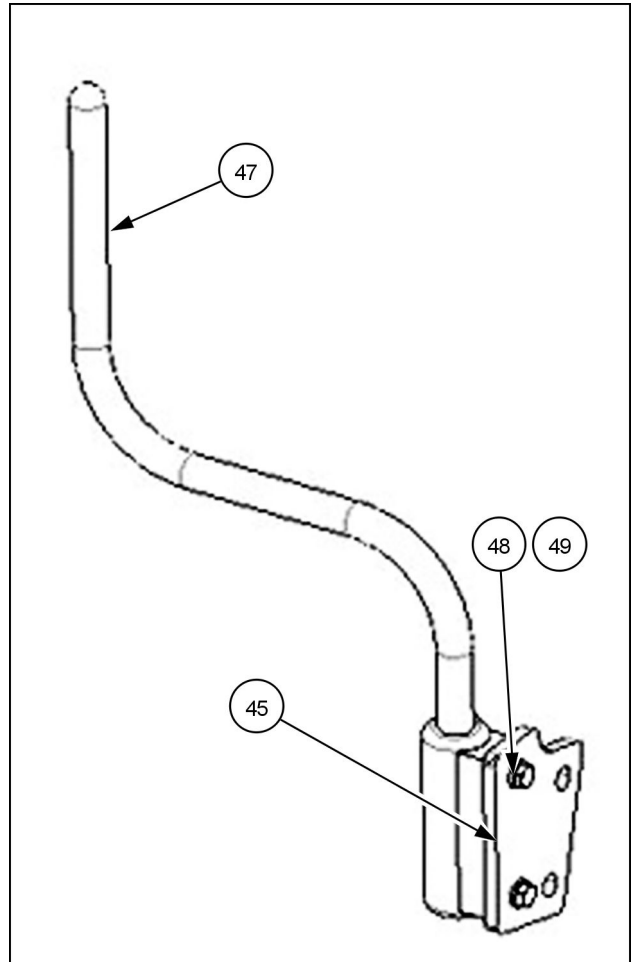
**NOTE:** Be sure the red stop lamp is on top for the opposite side.

## 3 - MONTAGEM

### Instalação

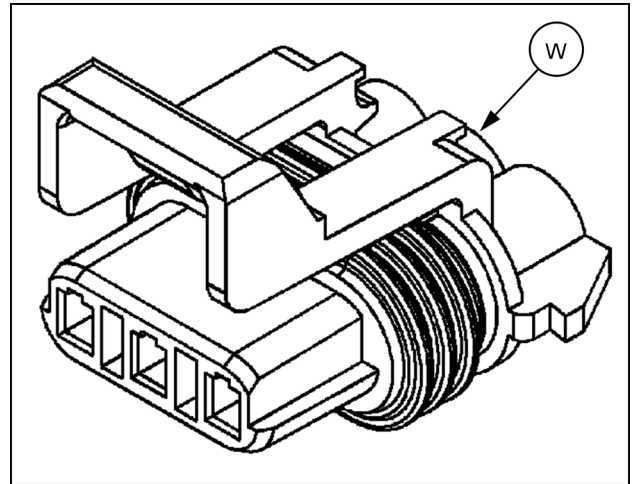
#### Luz de estrada - Instalar

1. Abaixar o braço da pá carregadeira até que ele esteja apoiado no chão.
2. Prender o braço de montagem do espelho (47) no suporte do espelho (45) com parafusos (49) e arruelas (48).

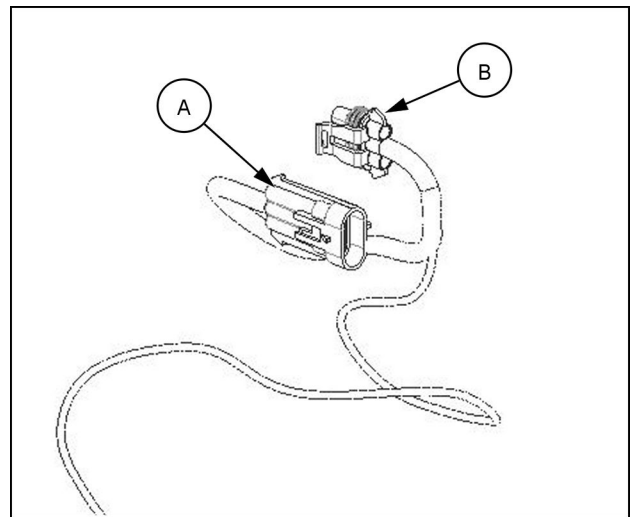


RAPH14SSL0557BA 1

41. Localize o alojamento do conector (**W**) que está ligado a (**A**) no chicote do fio de ligação das luzes da placa de licença e da marcha à ré (**57**).
42. Remova o alojamento do conector macho (**W**) do (**A**).

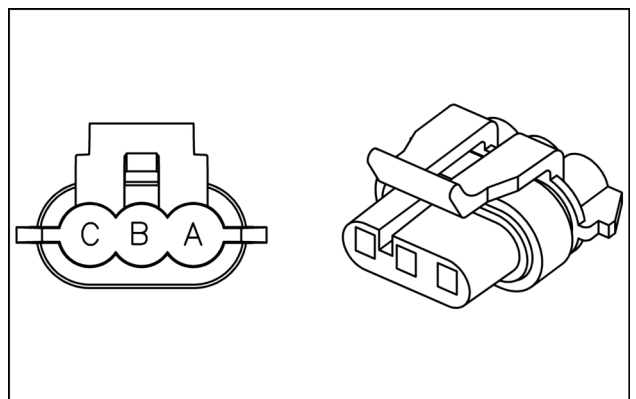


RAPH14SSL0566BA 29



RAPH14SSL0550BA 30

43. Anote a posição dos terminais da lâmpada traseira do lado direito, conector Ref Des 49 do chicote do fio de ligação traseiro (**6**).



SL57\_87688716 31

CLICK HERE TO **DOWNLOAD** THE COMPLETE MANUAL

- Thank you very much for reading the preview of the manual.
- You can download the complete manual from: [www.heydownloads.com](http://www.heydownloads.com) by clicking the link below



- Please note: If there is no response to CLICKING the link, please download this PDF first and then click on it.

CLICK HERE TO **DOWNLOAD** THE COMPLETE MANUAL