



INSTALLATION INSTRUCTIONS

KG1NP163-00
QUICK COUPLER LINE KIT (FOR SHORT ARM)

APPROXIMATE INSTALLATION TIME: 3.0 hours

CLICK HERE TO **DOWNLOAD** THE COMPLETE MANUAL

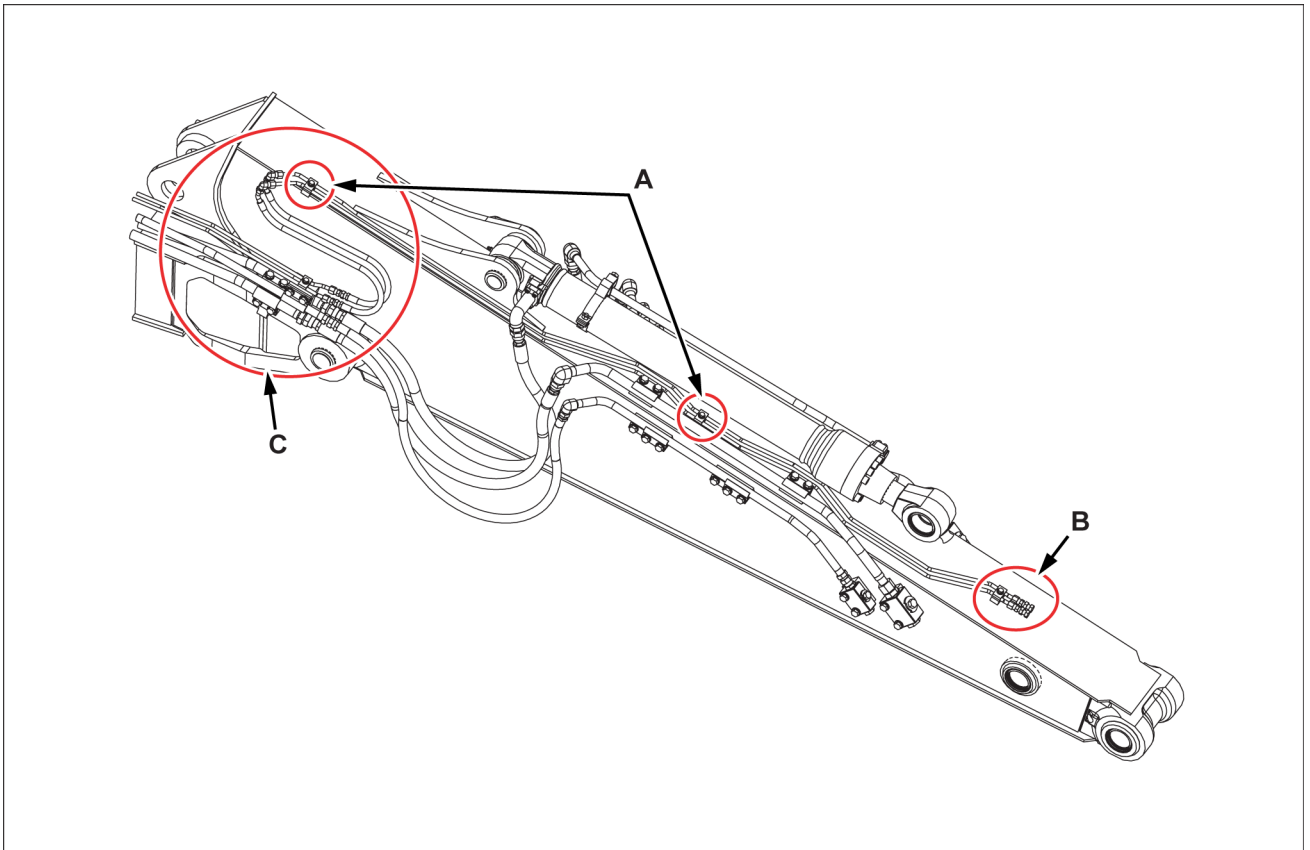
- Thank you very much for reading the preview of the manual.
- You can download the complete manual from: www.heydownloads.com by clicking the link below



- Please note: If there is no response to CLICKING the link, please download this PDF first and then click on it.

CLICK HERE TO **DOWNLOAD** THE COMPLETE MANUAL

Quick coupler line (short arm) installation



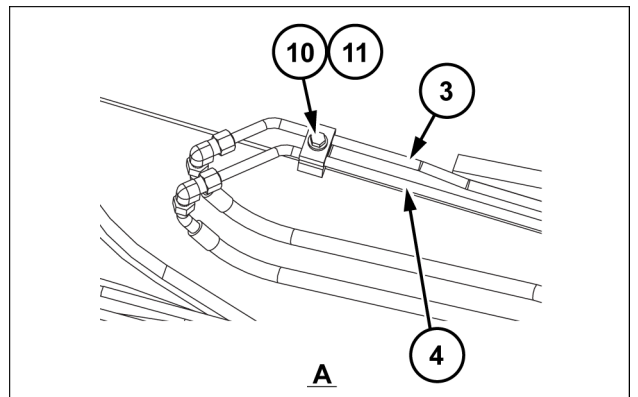
SMIL15CEXY279FB 1

NOTE: apply **LOCTITE® (7)** to the threaded section of the sems bolts **(11)**.

1. Use a lift-crane or equivalent, to set the line assembly (left) **(3)** and line assembly (right) **(4)** on the arm right side.

Fasten the line assembly (left) **(3)** and line assembly (right) **(4)** at two locations with one pipe clamp **(10)** each and one sems bolt **(11)** each.

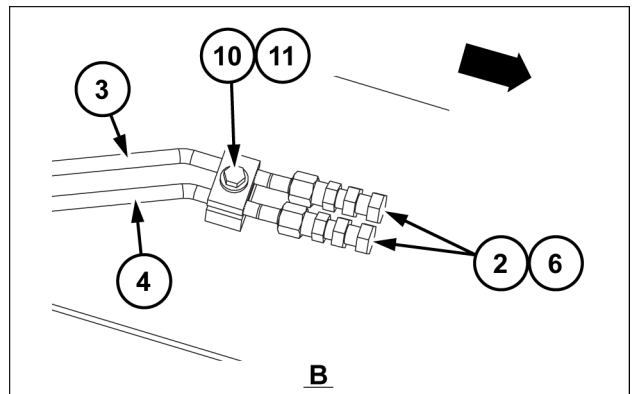
- Fasten the pipe clamp **(10)** on the rear end at a position **114 mm (4.488 in)** from the rear end of the line assembly (left) **(3)** and **123 mm (4.843 in)** from the rear end of the line assembly (right) **(4)**.



SMIL15CEXY280AB 2

2. Fasten the line assembly (left) **(3)** and line assembly (right) **(4)** with the pipe clamp **(10)** and sems bolt **(11)**. Install one body union **(2)** each and one plug **(6)** each on the front ends of the line assembly (left) **(3)** and line assembly (right) **(4)**.

- Fasten the pipe clamp **(10)** on the front end at a position **70 mm (2.756 in)** from the front ends of the line assembly (left) **(3)** and the line assembly (right) **(4)**.



SMIL15CEXY281AB 3

2 - VORMONTAGE

VORBEREITUNG ZUR MONTAGE

Vorbereitung

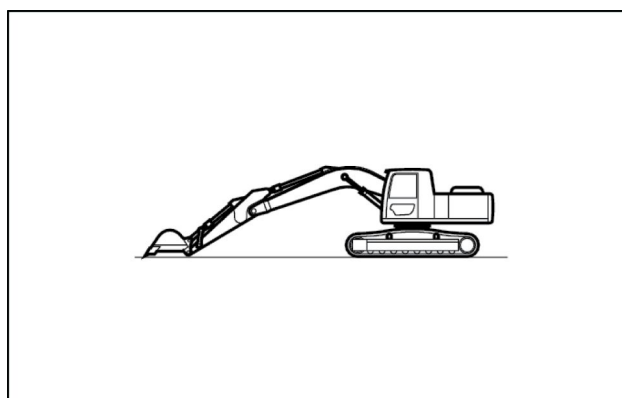
Ein „*“ in diesem Dokument weist darauf hin, dass das Teil an der vorliegenden Maschine verbaut ist.

Vorzubereitende Elemente:

- Schraubenschlüssel (**13 mm, 19 mm**)
- Ringschlüssel (**13 mm, 19 mm**)
- Sechskantschlüssel (**12 mm**)
- Hebekran
- Schweißgerät
- Lappen

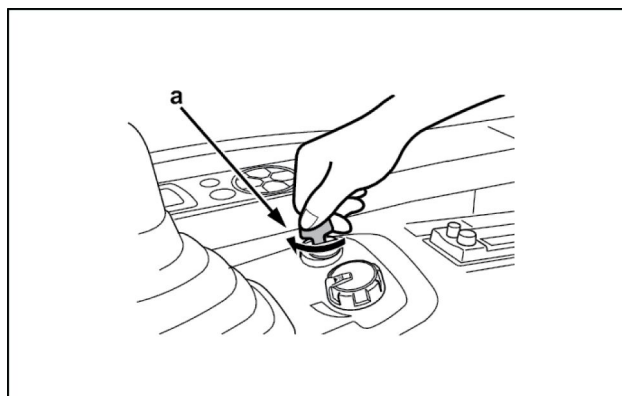
1. Bringen Sie die Haupteinheit in Position.

- Die Haupteinheit auf einem festen und flachen Untergrund abstellen, den Löffelzylinder bis zum Anschlag ausfahren, den Pendelarmzylinder bis zum Anschlag ausfahren, den Ausleger senken und mit dem Pendelarmoberteil den Boden berühren.



SMIL13II00106AA 1

2. Schalten Sie den Zündschlüssel auf „OFF“ (AUS) (a), vergewissern Sie sich, dass der Motor gestoppt ist, und schalten Sie dann den Zündschlüssel wieder auf „ON“ (EIN). (Den Motor nicht starten.)



SMIL13II00107AA 2

Sommaire

1 CONTENU DU KIT

Contenu du kit	1-1
----------------------	-----

2 AVANT-ASSEMBLAGE

PREPARATION POUR L'ASSEMBLAGE

Préparation	2-1
-------------------	-----

3 ASSEMBLAGE

CONDUITE POUR RACCORD RAPIDE (BRAS COURT)

Pose du support de bras court	3-1
Pose de la conduite pour raccord rapide (Bras court)	3-3

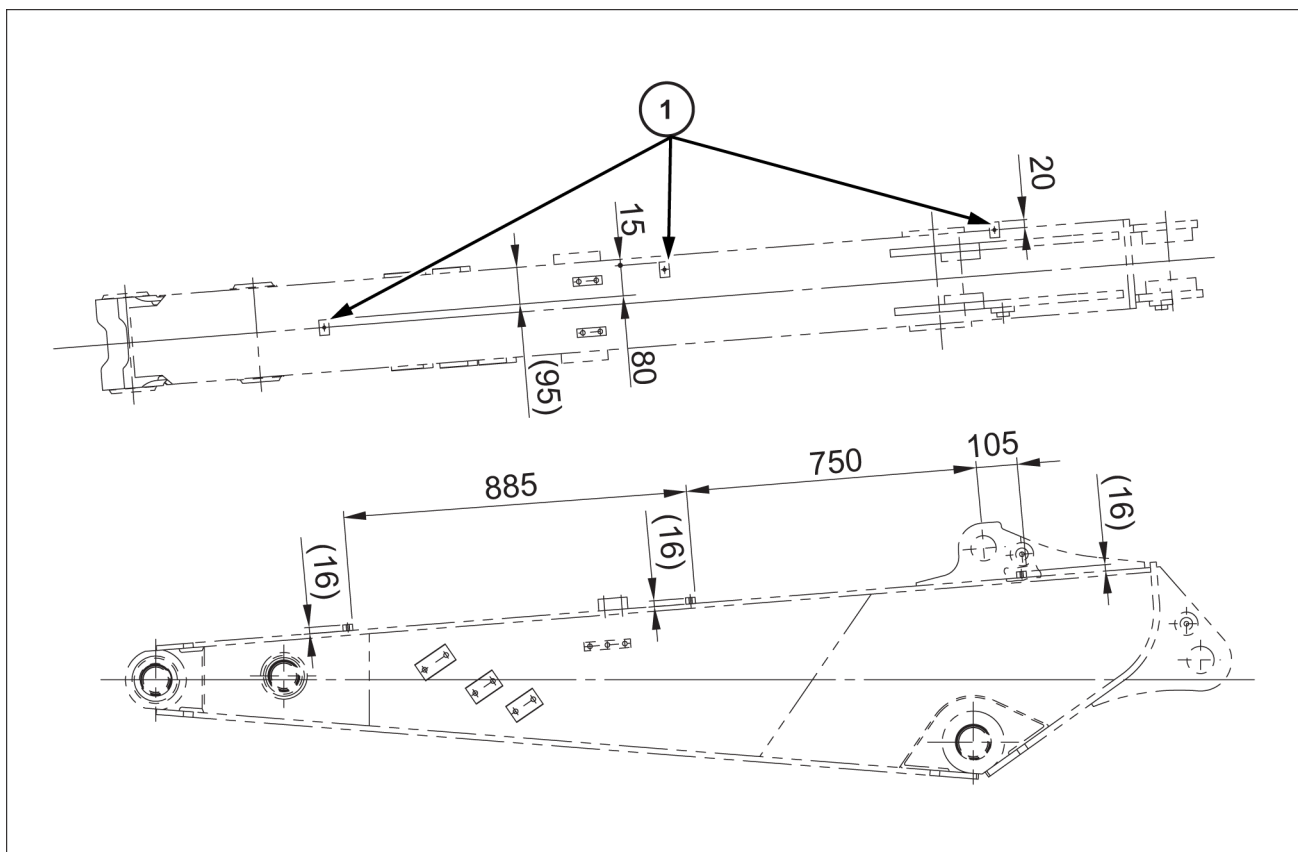
Index

	C	
Contenu du kit		1-1
	P	
Pose de la conduite pour raccord rapide (Bras court)		3-3
Pose du support de bras court		3-1
Préparation		2-1

3 - MONTAGGIO

TUBAZIONE ATTACCO RAPIDO (BRACCIO CORTO)

Montaggio della sede del braccio penetratore corto



SMIL15CEXY283FB 1

1 - CONTENIDO DEL KIT

Contenido del kit

NOTA: consulte el manual de piezas para los pedidos.

Brazo corto (consulte 3-1)

Elemento	Descripción	Cantidad	Referencia
1	Codo	2	KMJ0766
2	Unión	2	KMJ0708
3	Conjunto de conductos (izquierdo)	1	KNV29360
4	Conjunto de conductos (derecho)	1	KNV29370
5	Manguera hidráulica	2	KHV13860
6	Tapón	2	KHJ0632
7	LOCTITE®	1	KRC5007
10	Abrazadera	3	KHV13660
11	Perno SEMS M8x25	3	105R008Y025R

Asiento del brazo (consulte 3-3)

Elemento	Descripción	Cantidad	Referencia
1	Asiento	3	MPV0136

CLICK HERE TO **DOWNLOAD** THE COMPLETE MANUAL

- Thank you very much for reading the preview of the manual.
- You can download the complete manual from: www.heydownloads.com by clicking the link below



- Please note: If there is no response to CLICKING the link, please download this PDF first and then click on it.

CLICK HERE TO **DOWNLOAD** THE COMPLETE MANUAL