



## **INSTALLATION INSTRUCTIONS**

KG0LP480-00  
**SECOND OPTION CIRCUIT PROPORTIONAL CONTROL KIT**

**APPROXIMATE INSTALLATION TIME: 20.0 hours**

CLICK HERE TO **DOWNLOAD** THE COMPLETE MANUAL

- Thank you very much for reading the preview of the manual.
- You can download the complete manual from: [www.heydownloads.com](http://www.heydownloads.com) by clicking the link below



- Please note: If there is no response to CLICKING the link, please download this PDF first and then click on it.

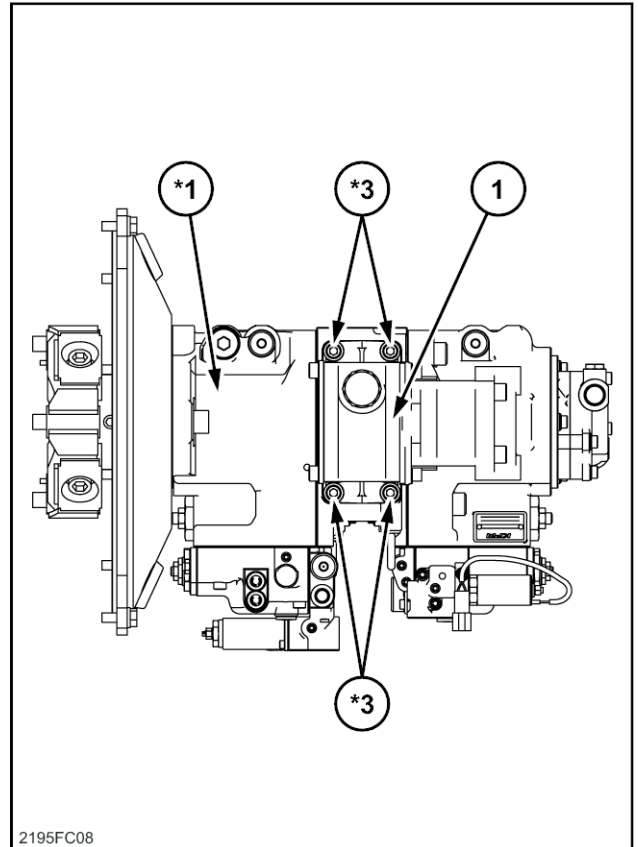
CLICK HERE TO **DOWNLOAD** THE COMPLETE MANUAL

## 4 - ASSEMBLY

### SECOND OPTION CIRCUIT (PROPORTIONAL CONTROL)

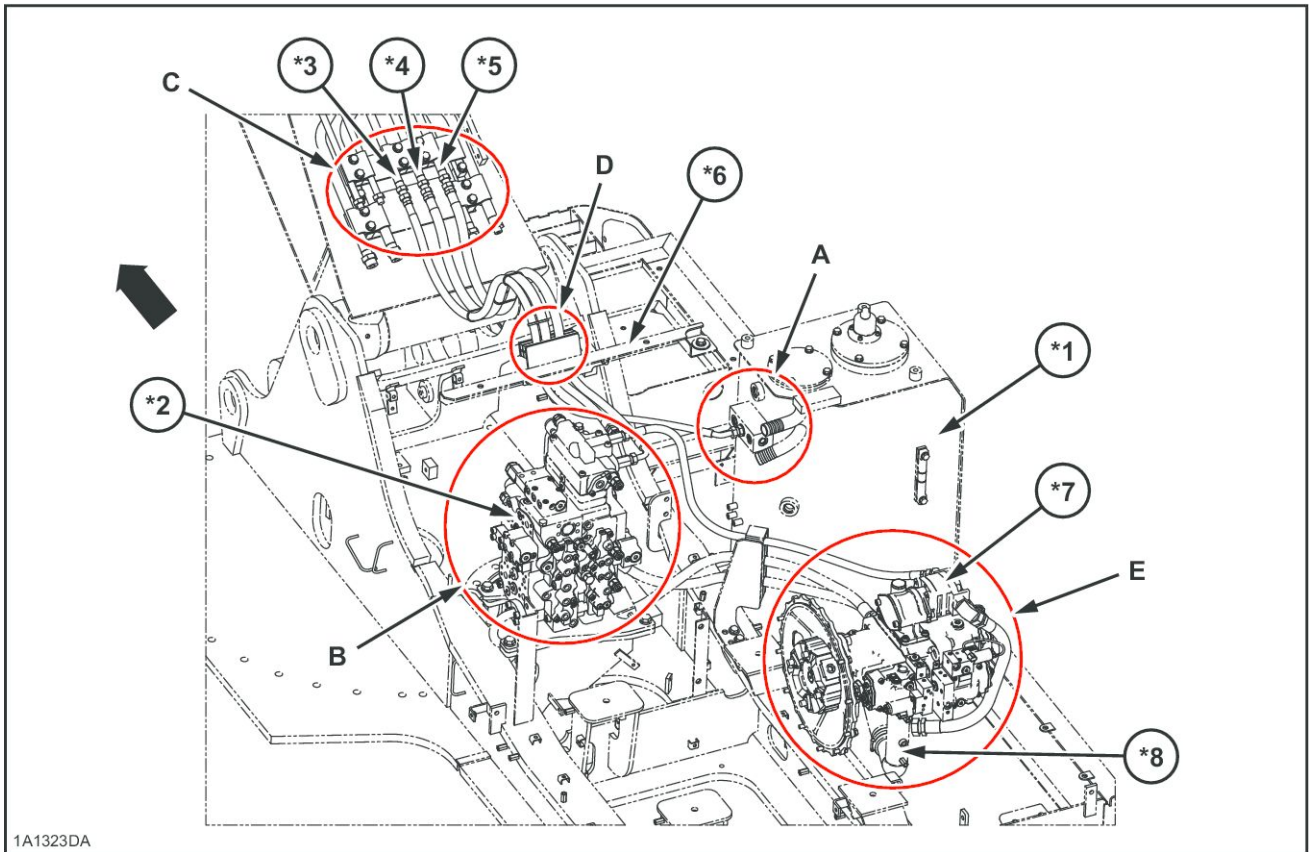
#### Hydraulic pump installation

1. Install the power take-off for the gear pump (1) on the hydraulic pump (\*1) with the four bolts (\*3).
  - The bolts (\*3) are accessories for the power take-off for the gear pump (1).



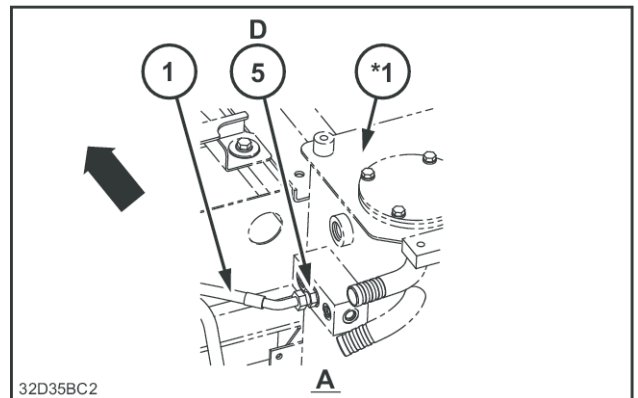
2195FC08 1

## Upper main line installation



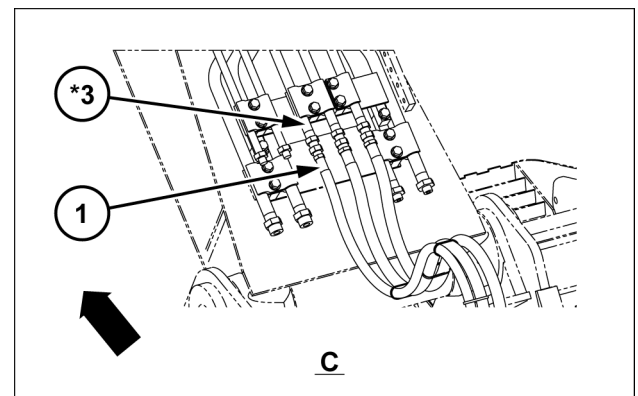
1A1323DA 1

1. Install the hose adapter (5) on on Port D of the hydraulic tank (\*1) and connect the hydraulic hose (1).



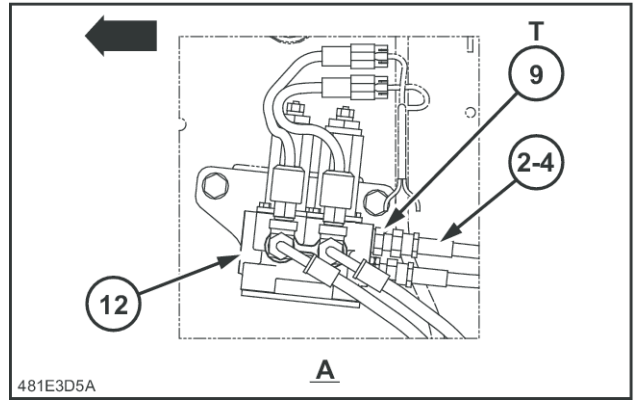
32D35BC2 2

2. Connect the hydraulic hose (1) to the boom line (\*3).



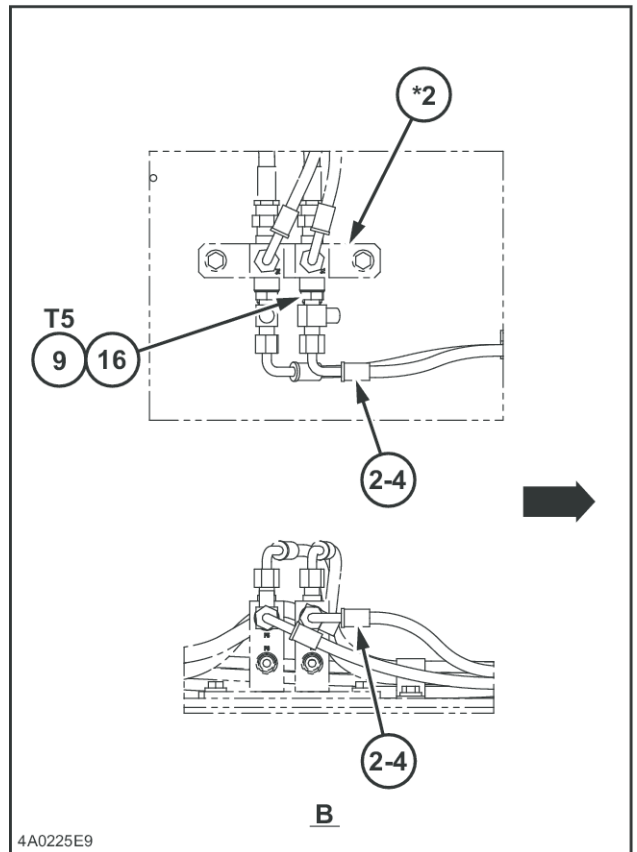
SMIL15CEX8166AB 3

2. Install the hose adapter (9) on the reducing valve (12) T port.



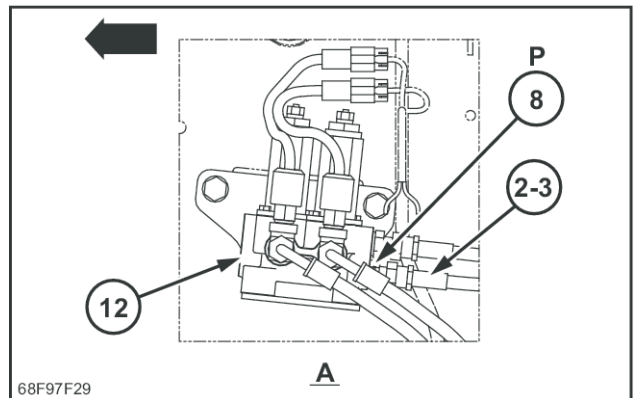
481E3D5A 5

3. Install the hose adapter (9) or the tee (16) on the manifold (\*2) T5 port.  
Connect the reducing valve (12) T port and manifold (\*2) T5 port with the nylon hose (2-4).



4A0225E9 6

4. Install the nipple with filter (8) on the reducing valve (12) P port.



68F97F29 7



## **INSTRUCCIONES DE INSTALACIÓN**

KG0LP480-00

**KIT DE CONTROL PROPORCIONAL DEL CIRCUITO DE SEGUNDA OPCIÓN**

**TIEMPO DE INSTALACIÓN APROXIMADO: 20.0 horas**

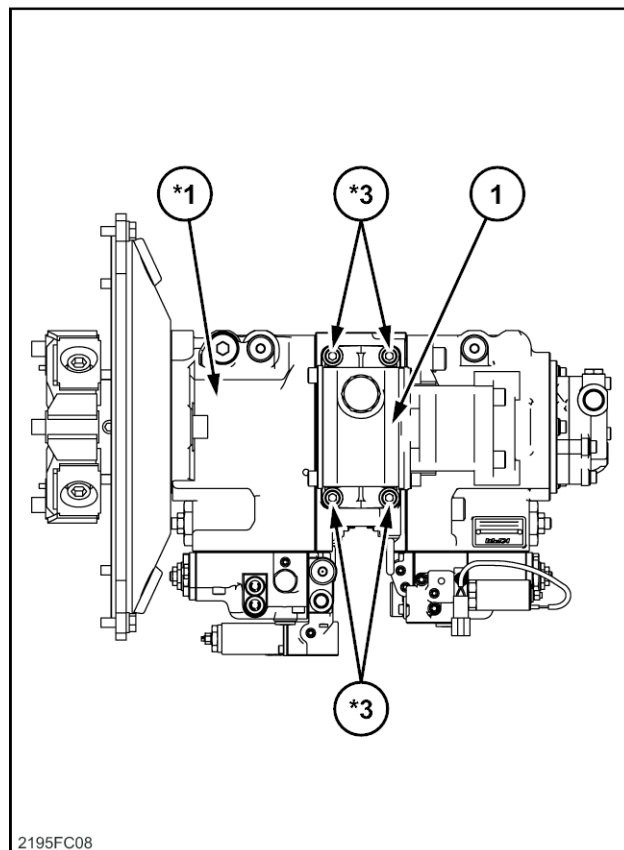
## 4 - MONTAJE

### CIRCUITO DE SEGUNDA OPCIÓN (CONTROL PROPORCIONAL)

#### Instalación de la bomba hidráulica

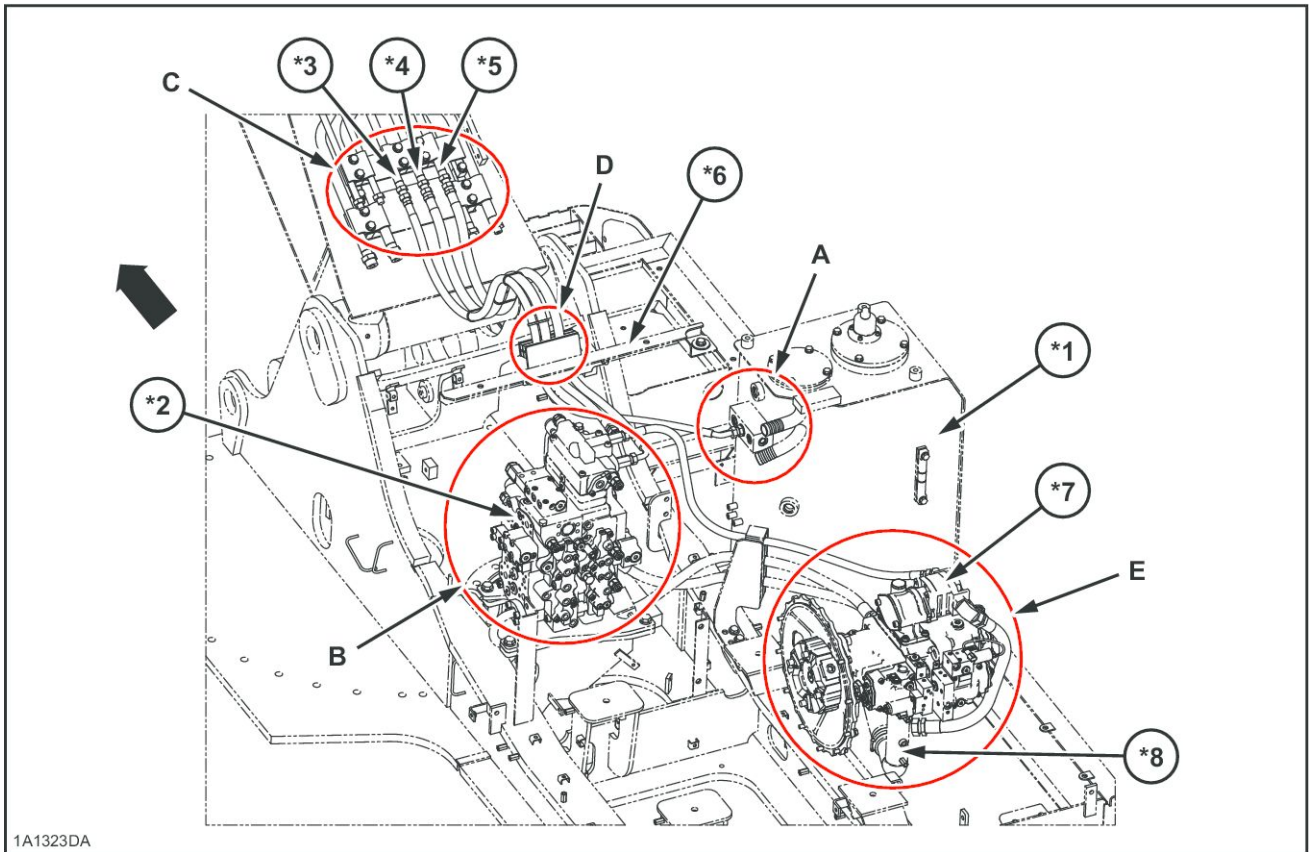
1. Instale la toma de fuerza de la bomba de engranajes (1) en la bomba hidráulica (\*1) con los cuatro pernos (\*3).

  - Los pernos (\*3) son accesorios para la toma de fuerza de la bomba de engranajes (1).



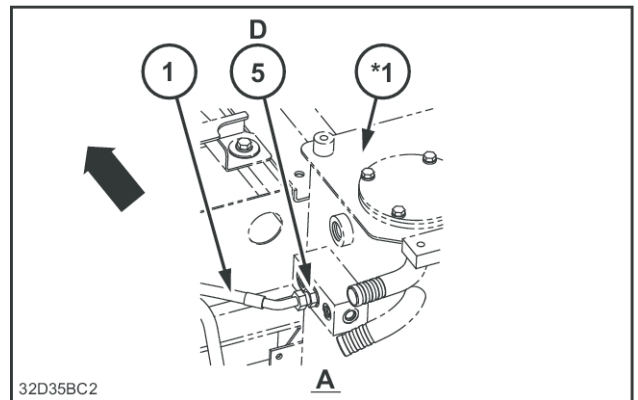
2195FC08 1

## Instalación del conducto principal superior



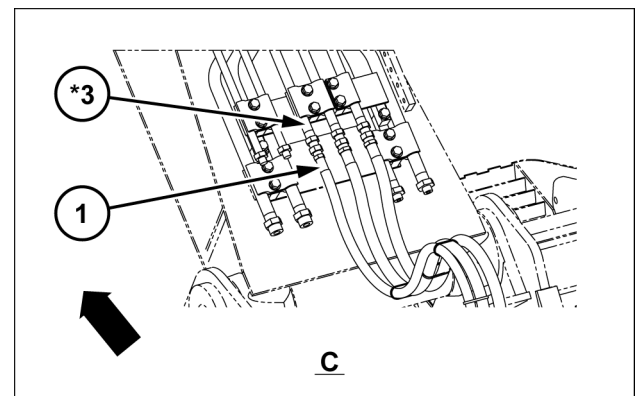
1A1323DA 1

1. Monte el adaptador para mangueras (5) en el puerto D del depósito hidráulico (\*1) y conecte la manguera hidráulica (1).



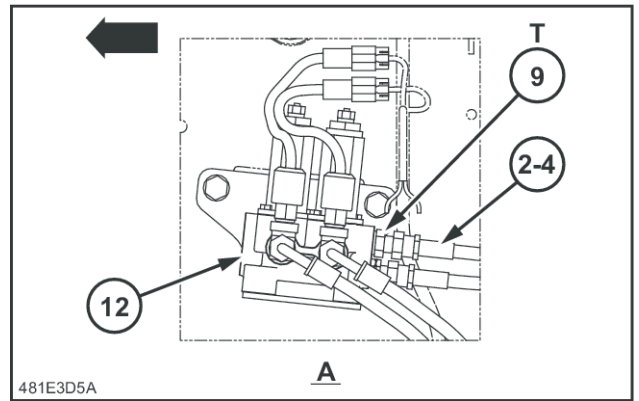
32D35BC2 2

2. Conecte la manguera hidráulica (1) al conducto de la pluma (\*3).



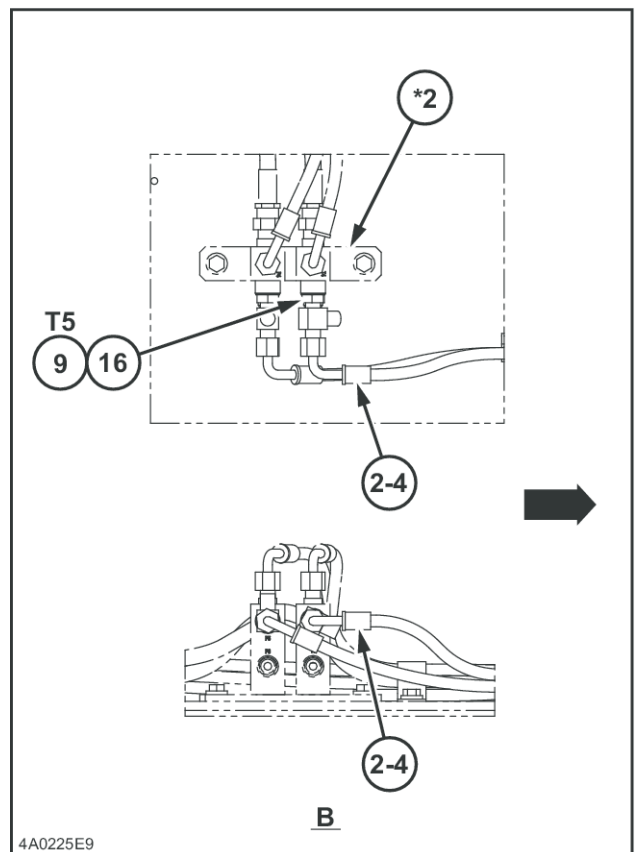
SMIL15CEX8166AB 3

2. Instale el adaptador para mangueras (9) en el puerto (12) de la válvula reductora T.



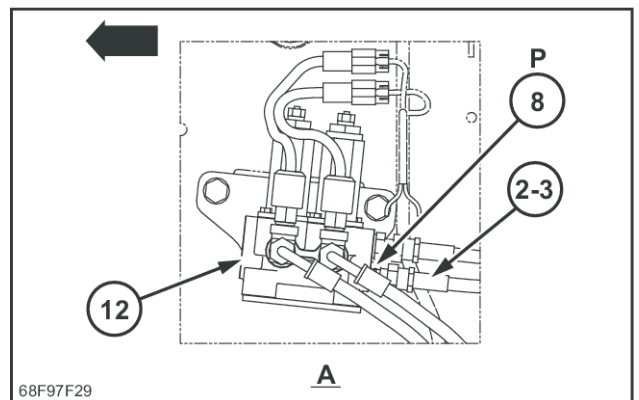
481E3D5A 5

3. Instale el adaptador para mangueras (9) o el racor en T (16) en el puerto T5 del colector (\*2). Conecte el puerto T de la válvula reductora (12) y el puerto T5 del colector (\*2) con la manguera de nailon (2-4).



4A0225E9 6

4. Instale la boquilla con filtro (8) en el puerto P de la válvula reductora (12).



68F97F29 7

CLICK HERE TO **DOWNLOAD** THE COMPLETE MANUAL

- Thank you very much for reading the preview of the manual.
- You can download the complete manual from: [www.heydownloads.com](http://www.heydownloads.com) by clicking the link below



- Please note: If there is no response to CLICKING the link, please download this PDF first and then click on it.

CLICK HERE TO **DOWNLOAD** THE COMPLETE MANUAL