



INSTALLATION INSTRUCTIONS

KG1BP594-00

**QUICK COUPLER LINE KIT (BOOM LINE) WITH SECOND OPTION AND HOSE
BURST CHECK VALVE (HBCV)**

APPROXIMATE INSTALLATION TIME: 8.0 hours

CLICK HERE TO **DOWNLOAD** THE COMPLETE MANUAL

- Thank you very much for reading the preview of the manual.
- You can download the complete manual from: www.heydownloads.com by clicking the link below

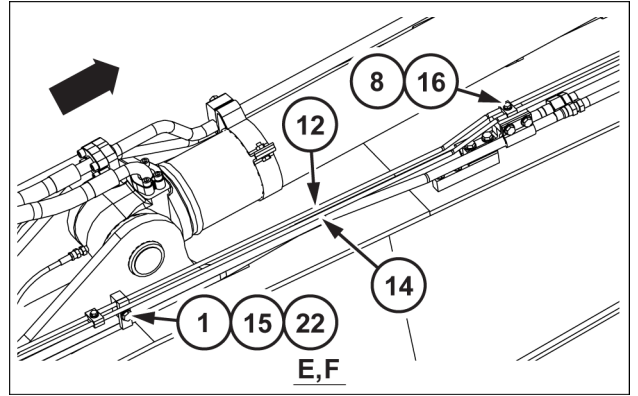


- Please note: If there is no response to CLICKING the link, please download this PDF first and then click on it.

CLICK HERE TO **DOWNLOAD** THE COMPLETE MANUAL

7. Fasten the line assembly (left) (12) and line assembly (right) (14) with the pipe clamp (16) and sems bolt (8). Sandwich the line assembly (left) (12) with the seating (stopper QC) (1) and pipe clamp (15), and then fasten with the sems bolt (22).

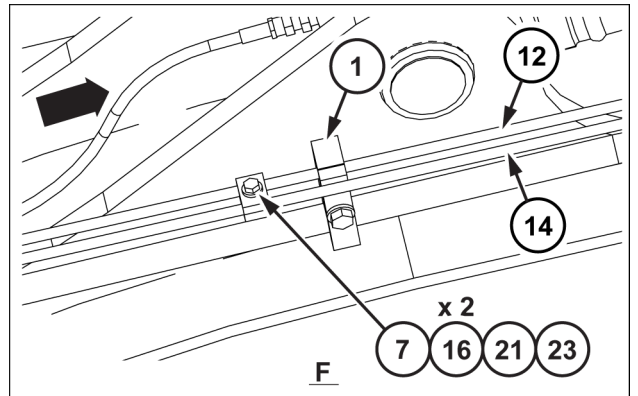
- Fasten the seating (stopper QC) (1) at a position **1000 mm (39.370 in)** from the pipe clamp (16).



SMIL15CEX8429AB 8

8. Fasten the line assembly (left) (12) and line assembly (right) (14) with two pipe clamps (16), one high-strength bolt (21), one high-strength washer (23), and one nut (7).

- Fasten the pipe clamp (16) at a position **50 mm (1.969 in)** from the seating (stopper QC) (1).



SMIL15CEX8410AB 9

2 - VORMONTAGE

VORBEREITUNG ZUR MONTAGE

Vorbereitung

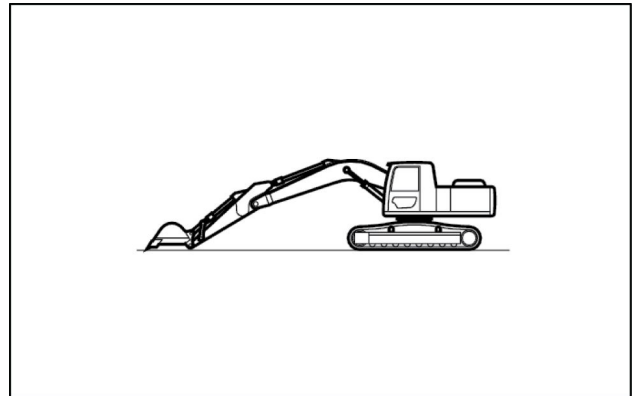
Ein „*“ in diesem Dokument weist darauf hin, dass das Teil an der vorliegenden Maschine verbaut ist.

Vorzubereitende Elemente:

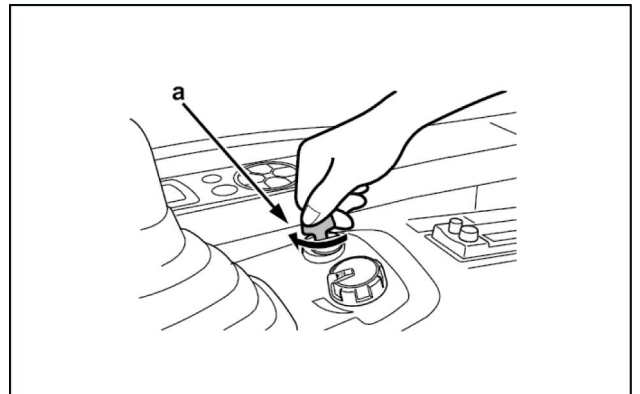
- Schraubenschlüssel (**13 mm, 19 mm**)
- Ringschlüssel (**13 mm, 19 mm**)
- Sechskantschlüssel (**12 mm**)
- Hebekran
- Schweißgerät
- Lappen

1. Bringen Sie die Haupteinheit in Position.
 - Die Haupteinheit auf einem festen und flachen Untergrund abstellen, den Löffelzylinder bis zum Anschlag ausfahren, den Pendelarmzylinder bis zum Anschlag ausfahren, den Ausleger senken und mit dem Pendelarmoberteil den Boden berühren.

2. Schalten Sie den Zündschlüssel auf „OFF“ (AUS) (**a**), vergewissern Sie sich, dass der Motor gestoppt ist, und schalten Sie dann den Zündschlüssel wieder auf „ON“ (EIN). (Den Motor nicht starten.)



SMIL13II00106AA 1



SMIL13II00107AA 2

Sommaire

1 CONTENU DU KIT

Contenu du kit 1-1

2 AVANT-ASSEMBLAGE

PREPARATION POUR L'ASSEMBLAGE

Préparation 2-1

3 ASSEMBLAGE

KIT DE CONDUITE POUR RACCORD RAPIDE (CONDUITE DE FLECHE) (AVEC DEUXIEME OPTION) (AVEC CLAPET ANTI-RETOUR EN CAS DE RUPTURE DE FLEXIBLE - HBCV)

Pose des conduites de flèche 3-1

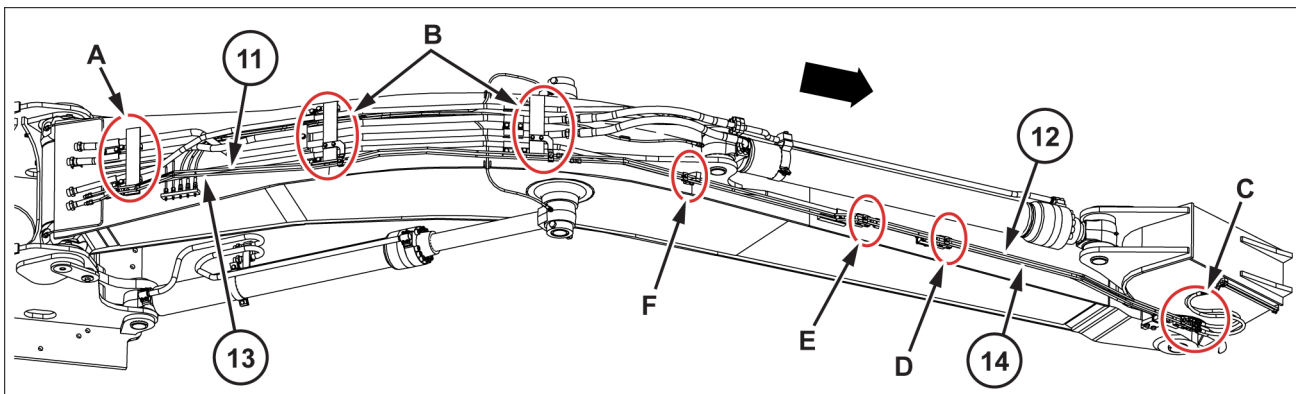
Index

	C	
Contenu du kit		1-1
	P	
Pose des conduites de flèche		3-1
Préparation		2-1

3 - MONTAGGIO

KIT TUBAZIONE ATTACCO RAPIDO (TUBAZIONE AVAMBRACCIO) (CON SECONDA OPZIONE) (CON VALVOLA DI RITEGNO SCOPPIO FLESSIBILI - HBCV)

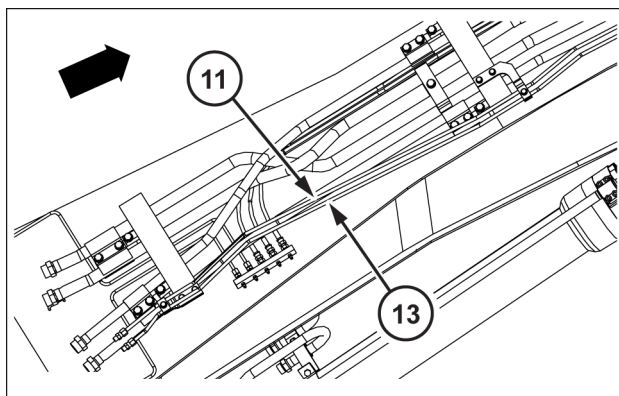
Montaggio della tubazione del braccio



SMIL15CEX8402EB 1

Applicare **LOCTITE® (20)** alla sezione filettata dei bulloni di tipo Sems e dei bullone ad alta resistenza.

1. Utilizzare una gru o un attrezzatura simile, per posizionare il complessivo tubazione (lato sinistro) (11) e il complessivo tubazione (lato destro) (13) sul braccio.



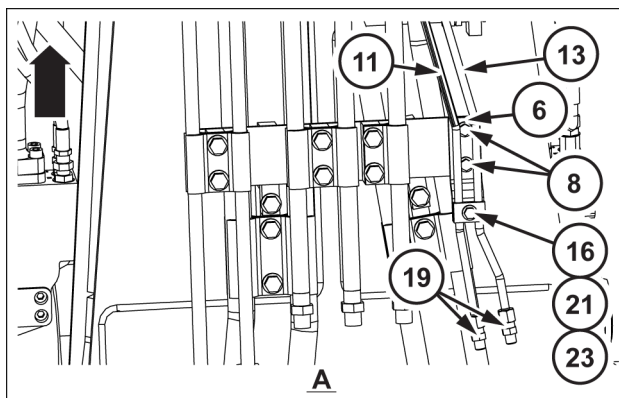
SMIL15CEX8403AB 2

2. Montare la sede (base braccio QC) (6) con 2 bulloni tipo Sems (8).

Montare i due raccordi corpo (19) sui lati posteriori del complessivo tubazione (lato sinistro) (11) e del complessivo tubazione (lato destro) (13).

Fissare il complessivo tubazione (lato sinistro) (11) e il complessivo tubazione (lato destro) (13) con la fascetta per tubi (16), il bullone ad alta resistenza (21) e la rondella ad alta resistenza (23).

- Fissare la fascetta per tubi (16) su un punto a **165 mm (6.496 in)** dal lato posteriore del raccordo corpo sinistro (19) e **159 mm (6.260 in)** dal lato posteriore del raccordo corpo destro (19).



SMIL15CEX8425AB 3

1 - CONTENIDO DEL KIT

Contenido del kit

NOTA: consulte el manual de piezas para los pedidos.

Conducto de la pluma (consulte 3-1)

Elemento	Descripción	Cantidad	Referencia
1	Asiento (QC de segunda opción de tope)	1	KBV38840
2	Asiento (QC del centro de la pluma)	2	KHV13670
6	Asiento (QC de la base de la pluma)	1	KBV39430
7	Tuerca M8	1	162R008SN
8	Perno SEMS M8x25	9	105R008Y025R
11	Conjunto de conductos (válvula HBCV)	1	KBV38470
12	Conjunto de conductos (válvula HBCV)	1	KBV39900
13	Conjunto de conductos (derecho)	1	KBV38480
14	Conjunto de conductos (derecho)	1	KBV39910
15	Abrazadera	1	KBV38850
16	Abrazadera	8	KHV13660
18	Unión	2	KMJ0602
19	Unión	4	KMJ0708
20	LOCTITE®	1	KRC5007
21	Perno de alta resistencia M8x35	4	102R008Y035R
22	Perno SEMS M12x30	1	105R012Y030R
23	Arandela de alta resistencia M8	4	KAJ1500

CLICK HERE TO **DOWNLOAD** THE COMPLETE MANUAL

- Thank you very much for reading the preview of the manual.
- You can download the complete manual from: www.heydownloads.com by clicking the link below



- Please note: If there is no response to CLICKING the link, please download this PDF first and then click on it.

CLICK HERE TO **DOWNLOAD** THE COMPLETE MANUAL