



INSTALLATION INSTRUCTIONS

KG0HP446-00
CONTROL LEVER (SHORT) FOR KAWASAKI KIT (LEFT)

APPROXIMATE INSTALLATION TIME: 0.5 hours

CLICK HERE TO **DOWNLOAD** THE COMPLETE MANUAL

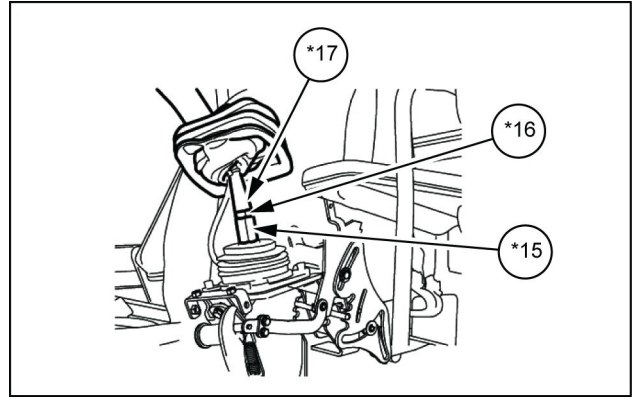
- Thank you very much for reading the preview of the manual.
- You can download the complete manual from: www.heydownloads.com by clicking the link below



- Please note: If there is no response to CLICKING the link, please download this PDF first and then click on it.

CLICK HERE TO **DOWNLOAD** THE COMPLETE MANUAL

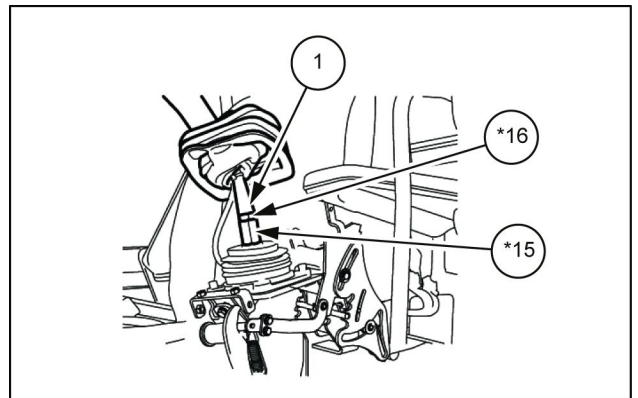
8. While fastening the nut (*15) with a wrench (10 mm), use a wrench (19 mm) to remove the lock nut (*16) and remove the control lever (*17).



SMIL13II00168AB 8

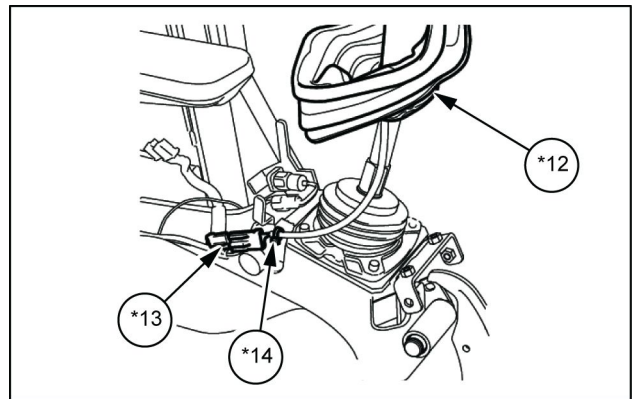
Installation of control lever (left)

1. After installing the knob (left) (1), while fastening the nut (*15) with a wrench (22 mm), use a wrench (19 mm) to install the lock nut (*16).
 - Lock nut tightening torque: 38.3 - 44.1 N·m (28.2 - 32.5 lb ft)



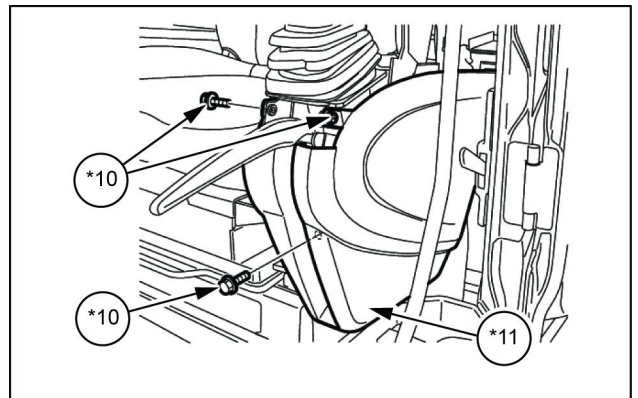
SMIL13II0010AB 9

2. Install the lever switch connector (*13), bundle with the wire band (*14), and then cover the control lever boot (*12).



SMIL13II00167AB 10

3. Use a Phillips screwdriver or box wrench (10 mm) to install the cover (*11) with 5 bolts (*10).



SMIL13II00131AB 11

1 - SATZINHALT

Satzinhalt

Gegenstand	Beschreibung	Anzahl	Teilereferenz
1	4-Schalter-Knopf (links)	1	KHJ29080

Index

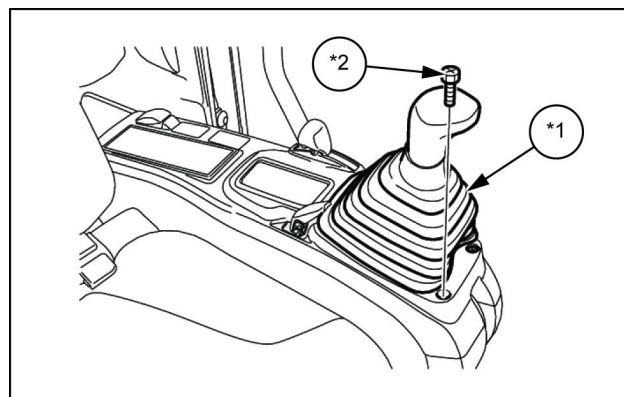
Ausbau und Einbau des Steuerhebels (links)	A	3-1
Satzinhalt	S	1-1
Vorbereitung	V	2-1

3 - ASSEMBLAGE

LEVIER DE COMMANDE (COURT) POUR KIT KAWASAKI (GAUCHE)

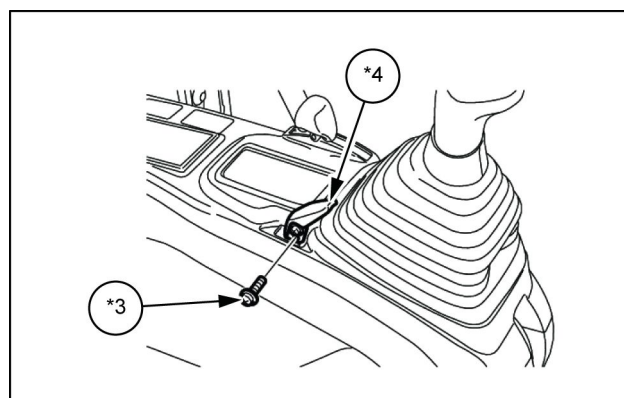
Dépose et pose du levier de commande (gauche)

1. Relever le soufflet (*1) du levier de commande et utiliser un tournevis cruciforme ou une clé polygonale de **10 mm** pour déposer les 2 vis (*2) situées sur le couvercle supérieur de la console.



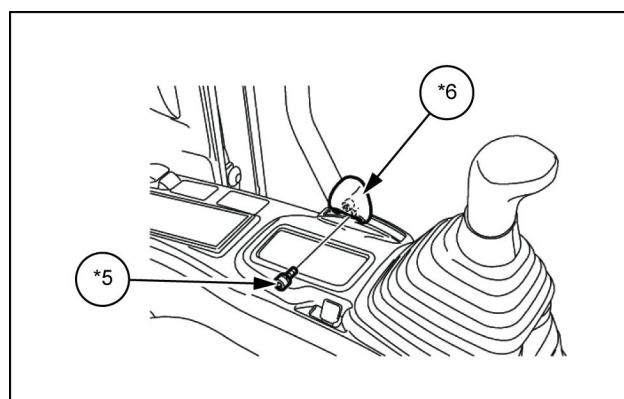
SMIL131I00064AB 1

2. Utiliser le tournevis cruciforme pour déposer les 2 vis (*3), puis déposer la poignée du levier d'inclinaison (*4).



SMIL131I00077AB 2

3. Utiliser une clé hexagonale de **5 mm** pour déposer les 2 vis (*5), et déposer la poignée (*6) du levier de verrouillage de la porte.



SMIL131I00078AB 3

Contenuto

1 CONTENUTO DEL KIT

Contenuto del kit 1-1

2 PRE-ASSEMBLAGGIO

OPERAZIONI PRELIMINARI PER IL MONTAGGIO

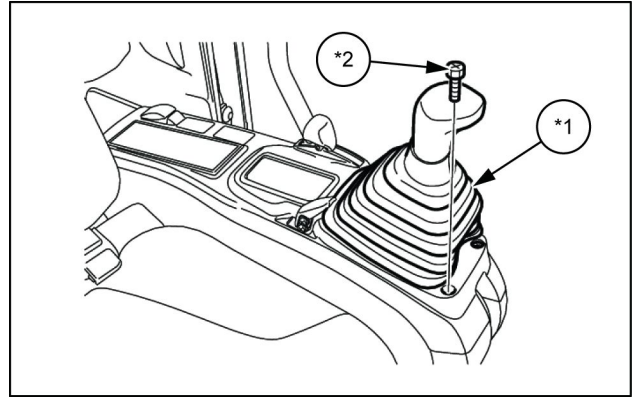
Operazioni preliminari 2-1

3 MONTAGGIO

LEVA DI COMANDO (CORTA) PER KIT KAWASAKI (SX)

Smontaggio e montaggio della leva di comando (sx) 3-1

8. Usare un cacciavite Phillips o una chiave a tubo (**10 mm**) per montare i 2 bulloni (*2) del coperchio superiore della console e coprire il soffietto di tenuta della leva di comando (*1).



SMIL131I00199AB 16

2 - PREENSAMBLADO

PREPARACIÓN PARA MONTAJE

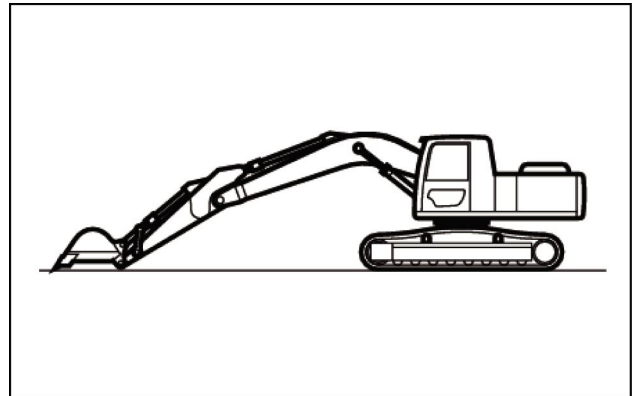
Tareas previas

1. Coloque la máquina.
 - Ponga la máquina en una superficie sólida y nivelada, extienda totalmente el cilindro de la cuchara y el cilindro del brazo, y baje la pluma hasta que la parte superior del brazo toque en el suelo.
2. Ponga la llave de contacto en "OFF" (Apagado) y compruebe que el motor esté parado.
3. Desconecte el terminal negativo (-) de la batería.

ADVERTENCIA: 

Asegúrese de apagar la alimentación (gire la llave de contacto a la posición "OFF" [Apagado]) antes de manipular la batería.

* Después de realizar el trabajo, vuelva a colocar el borne (-) de la batería a su posición original.



SMIL131I00414AA 1

CLICK HERE TO **DOWNLOAD** THE COMPLETE MANUAL

- Thank you very much for reading the preview of the manual.
- You can download the complete manual from: www.heydownloads.com by clicking the link below



- Please note: If there is no response to CLICKING the link, please download this PDF first and then click on it.

CLICK HERE TO **DOWNLOAD** THE COMPLETE MANUAL