



INSTALLATION INSTRUCTIONS

KG2RP364-00

QUICK COUPLER LINE KIT (BOOM LINE) (WITH SECOND OPTION)

APPROXIMATE INSTALLATION TIME: 8.0 hours

CLICK HERE TO **DOWNLOAD** THE COMPLETE MANUAL

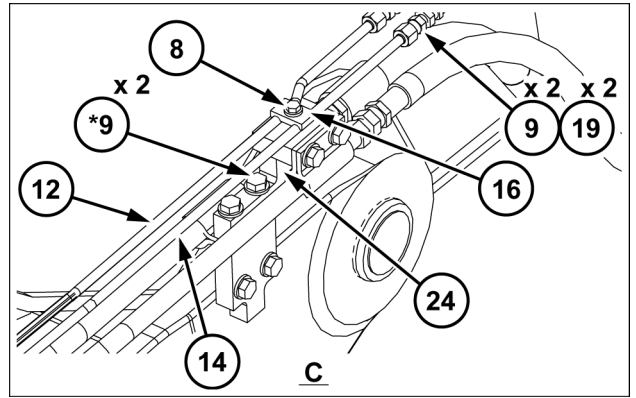
- Thank you very much for reading the preview of the manual.
- You can download the complete manual from: www.heydownloads.com by clicking the link below



- Please note: If there is no response to CLICKING the link, please download this PDF first and then click on it.

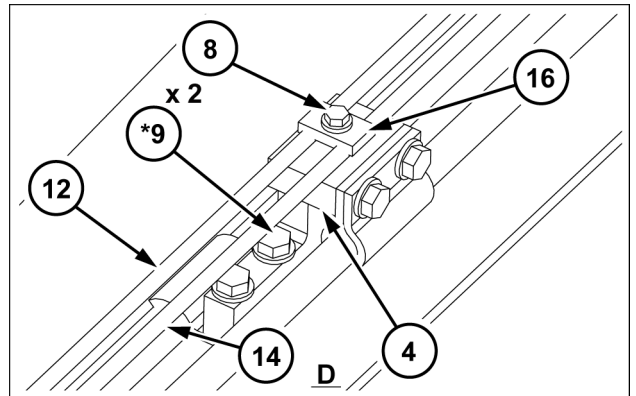
CLICK HERE TO **DOWNLOAD** THE COMPLETE MANUAL

6. Install the seating (boom top, second option, QC) (24) with two sems bolts (*9).
 Install the two body unions (19) and two plugs (9) on the front ends of the line assembly (left) (12) and line assembly (right) (14).
 Fasten the line assembly (left) (12) and line assembly (right) (14) with the pipe clamp (16) and sems bolt (8).
- Fasten the pipe clamp (16) at a position 120 mm (4.724 in) from the front end of the body unions (19).



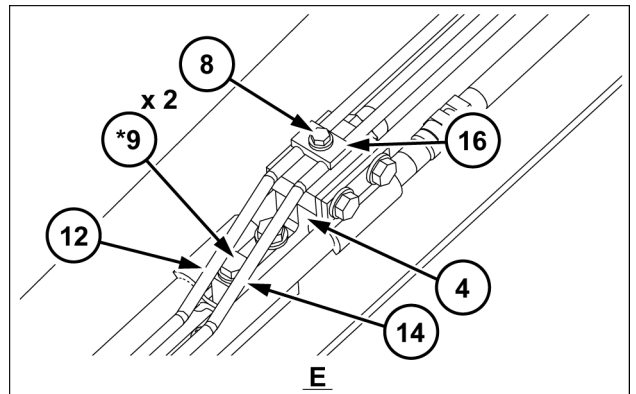
SMIL15CEXY475AB 7

7. Install the seating (boom top, second option, QC) (4) with two sems bolts (*9).
 Fasten the line assembly (left) (12) and line assembly (right) (14) with the pipe clamp (16) and sems bolt (8).



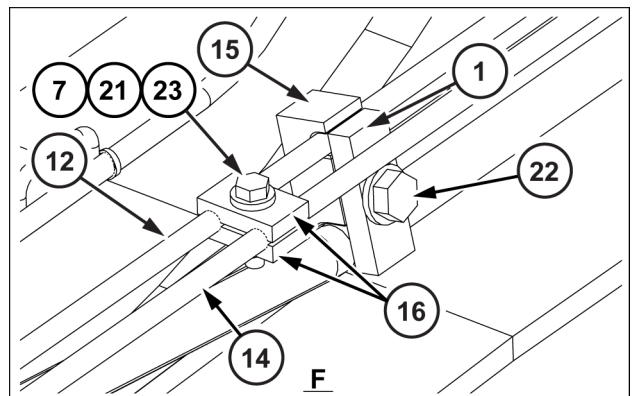
SMIL15CEXY476AB 8

8. Install the seating (boom top, second option, QC) (4) with two sems bolts (*9).
 Fasten the line assembly (left) (12) and line assembly (right) (14) with the pipe clamp (16) and sems bolt (8).



SMIL15CEXY477AB 9

9. Sandwich the line assembly (left) (12) with the seating (stopper, second option, QC) (1) and pipe clamp (15), and then fasten with the sems bolt (22).
- Fasten the seating (stopper, second option, QC) (1) at a position 1170 mm (46.063 in) from the pipe clamp (16).
- Fasten the line assembly (left) (12) and line assembly (right) (14) with two pipe clamps (16), one high-strength bolt (21), one high-strength washer (23), and one nut (7).
- Fasten the pipe clamps (16) at a position 50 mm (1.969 in) from the seating (stopper, second option, QC) (1).



SMIL15CEXY478AB 10

2 - VORMONTAGE

VORBEREITUNG ZUR MONTAGE

Vorbereitung

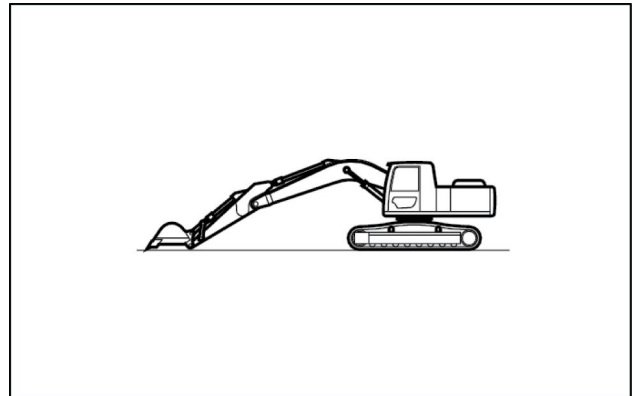
Ein „*“ in diesem Dokument weist darauf hin, dass das Teil an der vorliegenden Maschine verbaut ist.

Vorzubereitende Elemente:

- Schraubenschlüssel (**13 mm, 19 mm**)
- Ringschlüssel (**13 mm, 19 mm**)
- Sechskantschlüssel (**12 mm**)
- Hebekran
- Schweißgerät
- Lappen

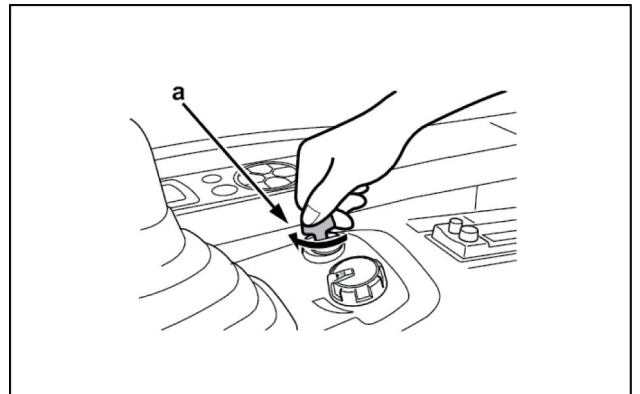
1. Bringen Sie die Haupteinheit in Position.

- Die Haupteinheit auf einem festen und flachen Untergrund abstellen, den Löffelzylinder bis zum Anschlag ausfahren, den Pendelarmzylinder bis zum Anschlag ausfahren, den Ausleger senken und mit dem Pendelarmoberteil den Boden berühren.



SMIL13II00106AA 1

2. Schalten Sie den Zündschlüssel auf „OFF“ (AUS) (**a**), vergewissern Sie sich, dass der Motor gestoppt ist, und schalten Sie dann den Zündschlüssel wieder auf „ON“ (EIN). (Den Motor nicht starten.)



SMIL13II00107AA 2

Sommaire

1 CONTENU DU KIT

Contenu du kit 1-1

2 AVANT-ASSEMBLAGE

PREPARATION POUR L'ASSEMBLAGE

Préparation 2-1

3 ASSEMBLAGE

KIT DE CONDUITE POUR RACCORD RAPIDE (CONDUITE DE FLECHE) (AVEC DEUXIEME OPTION)

Pose des conduites de flèche 3-1

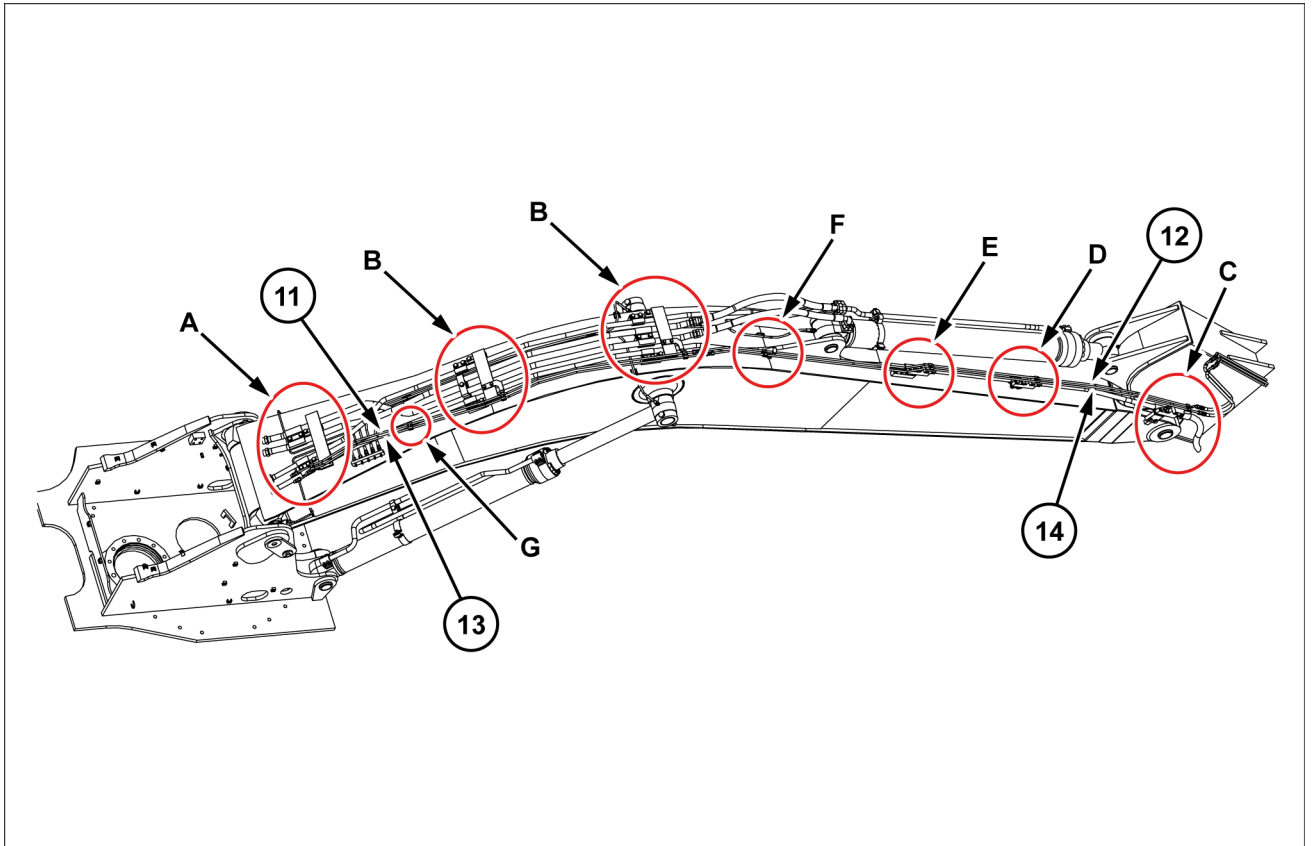
Index

	C	
Contenu du kit		1-1
	P	
Pose des conduites de flèche		3-1
Préparation		2-1

3 - MONTAGGIO

KIT TUBAZIONE ATTACCO RAPIDO (TUBAZIONE AVAMBRACCIO) (CON SECONDA OPZIONE)

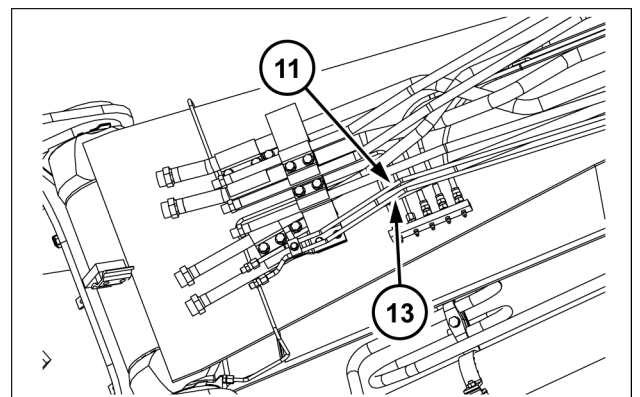
Montaggio della tubazione del braccio



SMIL15CEXY469FB 1

NOTA: Applicare **LOCTITE® (20)** alla sezione filettata dei bulloni di tipo Sems e dei bullone ad alta resistenza.

1. Utilizzare una gru o un attrezzatura simile, per posizionare il complessivo tubazione (lato sinistro) **(11)** e il complessivo tubazione (lato destro) **(13)** sul braccio.



SMIL15CEXY470AB 2

1 - CONTENIDO DEL KIT

Contenido del kit

NOTA: consulte el manual de piezas para los pedidos.

Conducto de la pluma (consulte 3-1)

Elemento	Descripción	Cantidad	Referencia
1	Asiento (tope segunda opción - acoplador rápido)	1	KBV40920
2	Asiento (centro de la pluma - acoplador rápido)	2	KHV13670
3	Asiento (centro de la pluma - segunda opción - acoplador rápido)	2	KBV38620
4	Asiento (tope de la pluma - segunda opción - acoplador rápido)	2	KBV38660
5	Asiento (base de la pluma - segunda opción - acoplador rápido)	1	KBV38580
6	Asiento (base de la pluma - acoplador rápido)	1	KBV39430
7	Tuerca M8	2	162R008SR
8	Perno SEMS M8 x 25	9	105R008Y025R
9	Tapón G1/4	2	KHJ0632
11	Conjunto de conductos (izquierdo)	1	KRV44260
12	Conjunto de conductos (izquierdo)	1	KRV45980
13	Conjunto de conductos (derecho)	1	KRV44270
14	Conjunto de conductos (derecho)	1	KRV45990
15	Abrazadera	1	KBV40930
16	Abrazadera	10	KHV13660
18	Unión	2	KMJ0602
19	Unión	4	KMJ0708
20	LOCTITE®	1	KRC5007
21	Perno de alta resistencia M8 x 35	5	102R008Y035R
22	Perno de alta resistencia M12 x 30	1	105R012Y030R
23	Arandela de alta resistencia M8	5	KAJ1500
24	Asiento (tope de la pluma - segunda opción - acoplador rápido)	1	KBV40870

CLICK HERE TO **DOWNLOAD** THE COMPLETE MANUAL

- Thank you very much for reading the preview of the manual.
- You can download the complete manual from: www.heydownloads.com by clicking the link below



- Please note: If there is no response to CLICKING the link, please download this PDF first and then click on it.

CLICK HERE TO **DOWNLOAD** THE COMPLETE MANUAL