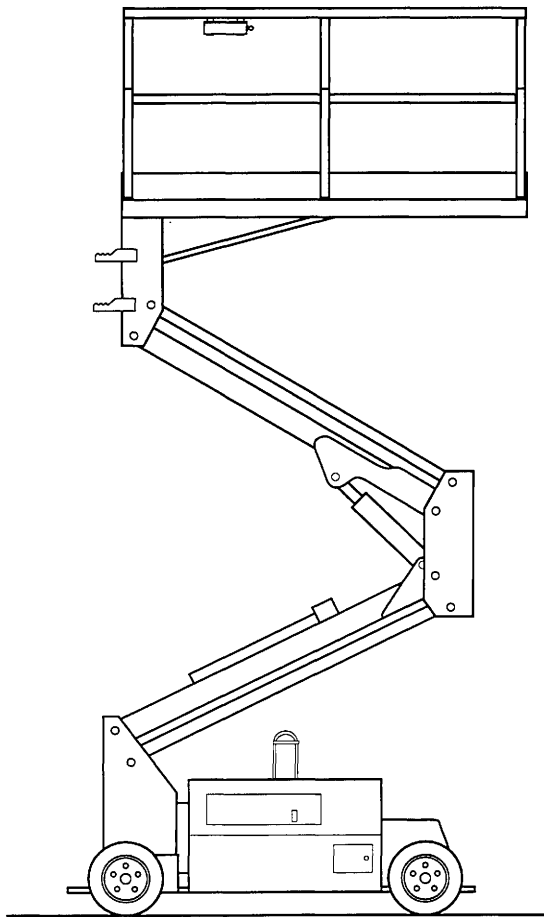


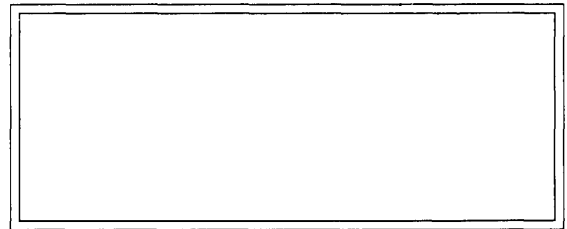
TEREX AERIALS

ILLUSTRATED PARTS CATALOG SELF-PROPELLED VERTICAL LIFT MODEL TV20



Art # A00.00712E

FOR PARTS OR SERVICE
CONTACT:



Terex Aerials
10600 W. Brown Deer Road
Milwaukee, WI 53224
U.S.A.

Telephone: (414) 362-9300
Facsimile: (414) 355-0832

Terex Aerials
106 12th Street S. E.
Waverly, IA 50677
U.S.A.

Telephone: (319) 352-3920
Facsimile: (319) 352-5727

Terex Aerials
Courtstown Industrial Park
Little Island, Co.
Cork, Ireland

Telephone: (353) 21-353011
Facsimile: (353) 21-353368

Issued: February 1998
P/N 89-750085

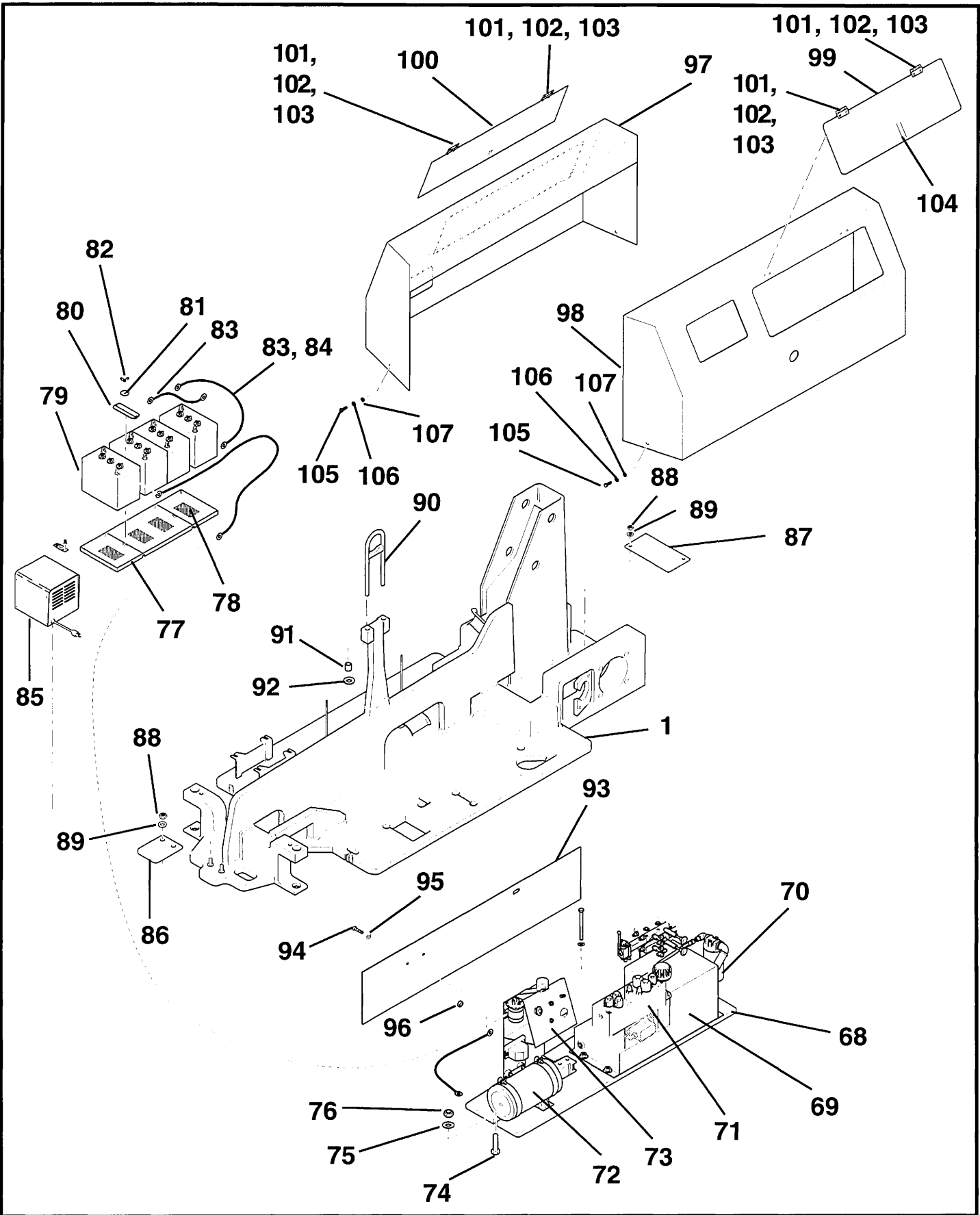
CLICK HERE TO **DOWNLOAD** THE COMPLETE MANUAL

- Thank you very much for reading the preview of the manual.
- You can download the complete manual from: www.heydownloads.com by clicking the link below



- Please note: If there is no response to CLICKING the link, please download this PDF first and then click on it.

CLICK HERE TO **DOWNLOAD** THE COMPLETE MANUAL



TITLE UNDERCARRIAGE, TV20 (JAPANESE STDS.) (PLATE 3 OF 4)

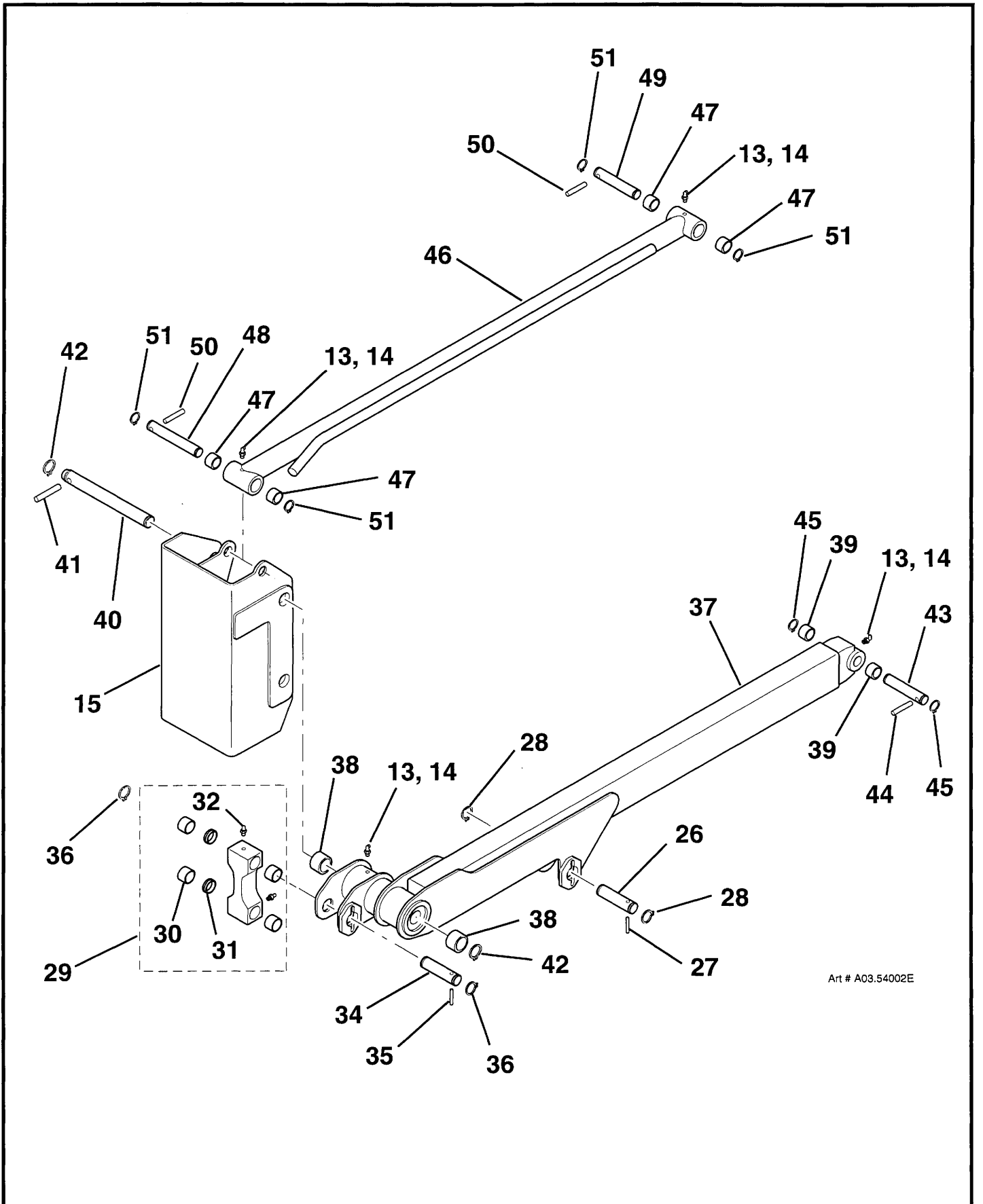
TEREX AERIALS INC.

NEW 3 FEB. 1998

PART NO.

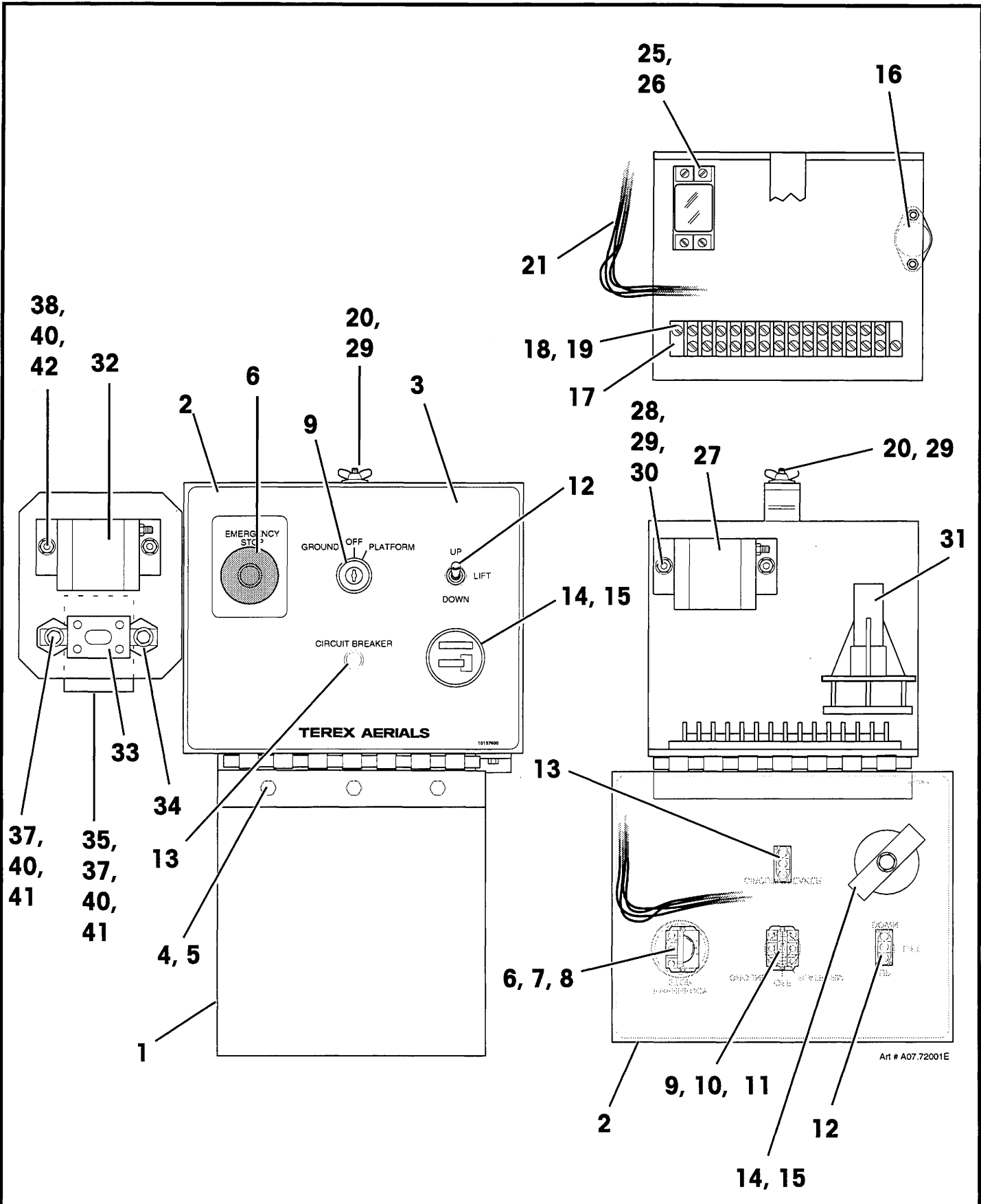
PLATE NO.

01.76



Art # A03.54002E

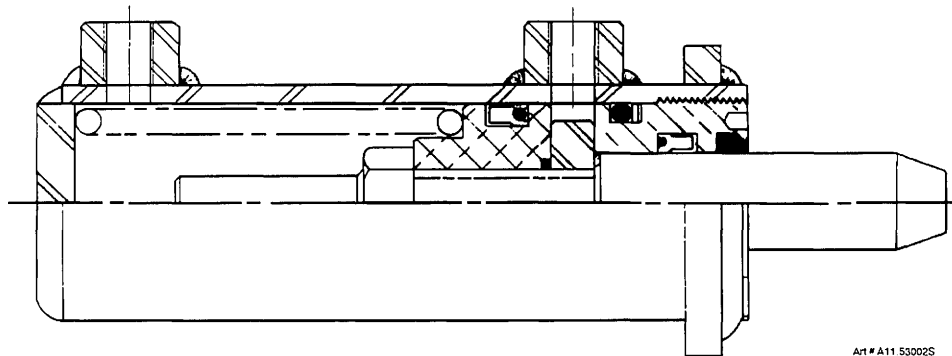
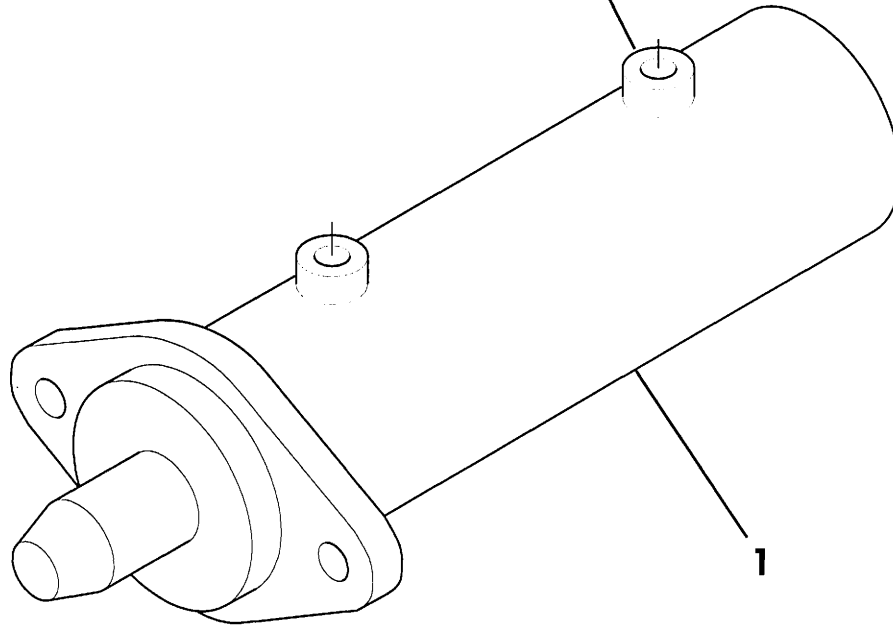
TITLE		BOOM ASSEMBLY (LINK TYPE) , TV20 (PLATE 2 OF 2)	
TEREX AERIALS INC.		REV. 11 FEB. 1998	PART NO.
			PLATE NO. 03.54



Terex Aerials Inc.
 10600 West Brown Deer Road
 Milwaukee Wisconsin 53224 USA
 Parts Phone 1-601-393-1351
 Fax 1-601-393-1751

TITLE		GROUND CONTROL BOX ASSEMBLY, TV20 (JAPAN)			
PART NO.	REV.	DATED	SECTION	PLATE NO.	PAGE
	-	13 FEB. 1998	07.	72	02

This port at rear on
Cylinder 231 2630.



Brake Cylinder Internal Components

Terex Aerials Inc.
10600 West Brown Deer Road
Milwaukee Wisconsin 53224 USA
Parts Phone 1-601-393-1351
Fax 1-601-393-1751

TITLE

BRAKE CYLINDER

PART NO.

REV. **C**

DATED
13 FEB. 1998

SECTION **11.**

PLATE NO. **63**

PAGE **01**

CLICK HERE TO **DOWNLOAD** THE COMPLETE MANUAL

- Thank you very much for reading the preview of the manual.
- You can download the complete manual from: www.heydownloads.com by clicking the link below



- Please note: If there is no response to CLICKING the link, please download this PDF first and then click on it.

CLICK HERE TO **DOWNLOAD** THE COMPLETE MANUAL