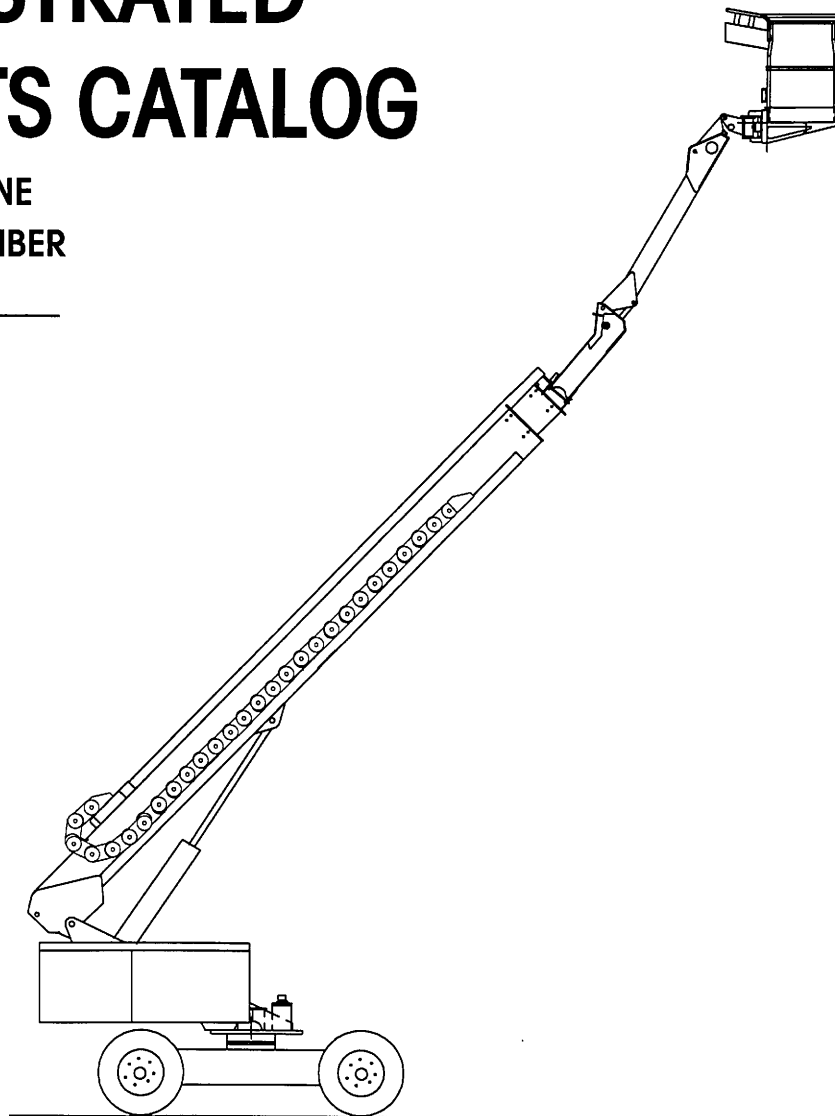


RP 66 "Reach Plus"

 **TEREX AERIALS**
Milwaukee, Wisconsin

ILLUSTRATED PARTS CATALOG

FOR MACHINE
SERIAL NUMBER



Part No. 89-165005 • Revision "0.4" dated Mar. 1997 •

CLICK HERE TO **DOWNLOAD** THE COMPLETE MANUAL

- Thank you very much for reading the preview of the manual.
- You can download the complete manual from: www.heydownloads.com by clicking the link below



- Please note: If there is no response to CLICKING the link, please download this PDF first and then click on it.

CLICK HERE TO **DOWNLOAD** THE COMPLETE MANUAL

PARTS LIST

ITEM	PART NO	SEE SECTION	DESCRIPTION	QTY.
			For 4WD components, see plate B01.299.	
51	08-057100		SWING BEARING	1
52	07-004655		CAP SCREW, HEX HEAD (3/4"-16 x 3-1/4", Grade 8)	18
53	07-004152		CAP SCREW, HEX HEAD (3/4"-16 x 2-3/4", Grade 8)	23
54	07-061022		WASHER, FLAT (3/4" SAE)	41
55	See index	D02.--	SWIVEL, HYDRAULIC	1
56	06-039900		ADAPTER, "O"-RING TO 37° (6-8 F50X-S)	4
57	06-041100		ADAPTER, "O"-RING TO 37° (12-16 F50X-S)	3
58	06-045600		90° ELBOW, STRAIGHT THREAD (12-16 C50X-S)	1
59	06-044700		90° ELBOW, STRAIGHT THREAD (6-8 C50X-S)	3
60	06-001000		CONNECTOR, MALE (6-8 FTX-S)	1
61	06-090600		REDUCER/ EXPANDER (8-6 F50 G5-S)	1
62	06-050000		BRANCH TEE, MALE "O"-RING (6 S50X-S)	1
63	06-054500		RUN TEE, 37° FEMALE SWIVEL NUT (6 R6X-S)	2
64	07-003087		CAP SCREW, HEX HEAD (1/2"-13 x 1-1/2", Grade 5)	4
65	07-065018		WASHER, HELICAL LOCK (1/2")	4
66	Call Simon		VALVE ASSEMBLY, MOTION CONTROL	1
67	01-225900		VALVE, MOTION CONTROL (3000 PSI)	1
68	07-003053		CAP SCREW, HEX HEAD (3/8"-16 x 3", Grade 5)	2
69	07-050016		NUT, TOP LOCK (3/8"-16, Grade 5)	4
70	07-062016		WASHER, FLAT (3/8")	4
71	07-003052		CAP SCREW, HEX HEAD (3/8"-16 x 2-3/4", Grade 5)	2
72	Call Simon		VALVE ASSEMBLY, FLOW DIVIDER	1
73	01-018300		VALVE, FLOW DIVIDER	1
74	01-034800		VALVE, GLOBE (1/4" NPT Female thread, both ends)	1
75	06-002000		CONNECTOR, MALE (12-16 FTX-S)	1
76	06-003800		ELBOW, MALE (6 CTX-S)	2
77	06-012300		RUN TEE, MALE (12 RTX-S)	2
78	06-051800		90° ELBOW, SWIVEL NUT (12 C6X-S)	1
79	06-057800		NUT, TUBE (12 BTX-S)	2
80	06-060800		REDUCER, TUBE END (12-6 TRTX-S)	2
81	3507654		TUBE ASSEMBLY	2
82			TUBE	1
83	06-057800		NUT, TUBE (12 BTX-S)	2
84	06-059300		SLEEVE (12 TX-S)	2
85	03-472100		STRAP, GROUNDING (option)	1
86	07-058400		NUT, LUG (1/2"-13, Grade 8) (for grounding strap)	1
87	01-011400		VALVE, RELIEF	1

TITLE UNDERCARRIAGE, RP 66 (2WD) (PLATE 3 OF 4)

PLATE NO. B01.201

SIMON AERIALS INC.

NEW 28 JUL., 1994

PART NO.

PARTS LIST

ITEM	PART NO	SEE SECTION	DESCRIPTION	QTY.
			UNDERCARRIAGE GROUP (continued)	
93	354 7390		HOSE KIT, UNDERCARRIAGE (MP 60, 4WD, with Tri-Flow Valve)	1
94	208 9148		CLAMP, DRIVE HOSE	12
95	07-050016		NUT, TOP LOCK (3/8"-16, Grade 5)	8
96	07-062016		WASHER, FLAT (3/8")	8
97	07-003031		CAP SCREW, HEX HEAD (5/16"-18 x 2-1/2", Grade 5)	16
98	07-050015		NUT, HEX STOP (5/16"-18, Grade 5)	16
99	07-062015		WASHER, FLAT (5/16")	32
100	10-150900		SLEEVE, COIL (Plastic, 1" dia.) (Bulk item, order as needed. 8 ft [2.44 M] required this application)	A.R.
101	05-010017		HOSE ASSEMBLY	1
102	08-054000		FITTING, GREASE (1/4", Straight)	1
103	07-058123		NUT, FLANGED (Self locking) (3/4"-16, Grade 5)	40
			The following items are not included with the Undercarriage Assembly:	
			Note: When replacing tires, or tire and wheel assemblies, it is important that left and right sides of a single axle match in brand and type. Refer to tire descriptions below:	
104	351 5620		TIRE AND WHEEL ASSEMBLY, DRIVE (Liquid filled)	4
	351 5710		TIRE AND WHEEL ASSEMBLY, DRIVE (Foam filled)	4
105	02-024700		TIRE (15-19.5 "Jumbo Super All Grip" Tubeless)	1
106	02-008400		WHEEL ASSEMBLY (19.5" x 12-1/4")	1
			Or . . .	
104	350 3104		TIRE AND WHEEL ASSEMBLY, DRIVE (Liquid filled)	4
	350 8460		TIRE AND WHEEL ASSEMBLY, DRIVE (Foam filled)	4
105	02-001300		TIRE (15-19.5 "Custom Xtra Grip" Tubeless)	1
106	02-008400		WHEEL ASSEMBLY (19.5" x 12-1/4")	1
			Or . . .	
104	354 0830		TIRE AND WHEEL ASSEMBLY, DRIVE (Liquid filled)	4
	354 0840		TIRE AND WHEEL ASSEMBLY, DRIVE (Foam filled)	4
105	02-047800		TIRE (15-19.5 NHS "Super Agri Loader" Tubeless, 14 Ply rating)	1
106	02-008400		WHEEL ASSEMBLY (19.5" x 12-1/4")	1
107	07-00 4152		CAP SCREW, HEX HEAD (3/4"-16 x 2-3/4", Grade 8)	23
108	07-061022		WASHER, FLAT (3/4" SAE)	23
109	03-472100		STRAP, GROUNDING (option)	1
110	07-058400		NUT, LUG (1/2"-13, Grade 8)	1

TITLE

UNDERCARRIAGE GROUP, RP 66 (4WD)

Simon Aerials Inc.
10600 West Brown Deer Road
Milwaukee Wisconsin 53224 USA
Parts Phone 1-800-47-SIMON
24 Hr (Machine) 414-362-8280
Fax 414-355-3172

SECTION	B01.	PLATE NO.	204	PAGE	04	REV.	-	DATED	03 MAR., 1997	PART NO.	355 0170
---------	------	-----------	-----	------	----	------	---	-------	---------------	----------	----------

PARTS LIST

ITEM	PART NO	SEE SECTION	DESCRIPTION	QTY.
			Items 107 thru 113 are used only on versions with either the two speed drive or 2 wheel drive/ 4 wheel drive option:	
107	01-037100		VALVE, SOLENOID (3 way) (High/ Low Drive)	1
108	06-003800		90° ELBOW, MALE 37° TO NPT (6 CTX-S)	2
109	06-000700		CONNECTOR, MALE (6 FTX-S)	1
110	06-054500		RUN TEE, 37° SWIVEL NUT (6 R6X-S)	2
111	07-003010		CAP SCREW, HEX HEAD (1/4"-20 x 2-1/4", Grade 5)	2
112	07-062014		WASHER, FLAT (1/4")	6
113	07-050014		NUT, HEX LOCK (1/4"-20, Grade 5)	2
114			CABLE, GASOLINE TO PROPANE SWITCHING (with dual fuel option)	1
115	See plate . .	C04. --	ENGINE ASSEMBLY	1
116	03-493700		SWITCH, LIMIT (Side rotary, 1 normally open, 1 normally closed contact)	1
117	03-494100		ARM, LIMIT SWITCH (includes 6" nylon loop, which must be removed and replaced with rod, below.)	1
118	2010906		ARM, LIMIT SWITCH (Stainless steel rod)	1
119	07-008354		SCREW, SOCKET HEAD (#10-24 x 1-1/4", Grade 8)	2
120	07-065011		WASHER, HELICAL LOCK (#10)	2
121	03-085200		CABLE, ELECTRICAL (SJO, 2 conductor, #16 AWG) [Bulk item, 14 Ft (4.3 M) required this application]	A.R.
122	03-045500		GRIP, CORD (1/2")	1
123	2069146 call Simon		PIN, BOOM PIVOT (2-1/4" x 17") except Canada CSA standards	1 1
124	08-013300		BUSHING, SELF ALIGNING (Boom pivot)	2
125	08-043200		RING, RETAINING (2-1/4")	2
126			CYLINDER ASSEMBLY, MASTER LEVEL	1
127	04-032600	D10.101	CYLINDER, MASTER LEVEL	1
128	04-028202		VALVE, RELIEF	2
129	06-047000		45° ELBOW, STRAIGHT THREAD (6 V50X-S)	2
130	06-039800		CONNECTOR, STRAIGHT THREAD (6 F50X-S)	1
131	06-051500		90° ELBOW, SWIVEL NUT (6 C6X-S)	1
132	2321900		PIN, MASTER CYLINDER (1-1/4" x 7-15/16") (base end)	1
133	2190580 2333420		PIN, MASTER CYLINDER (rod end) 1-1/4" x 5-9/16" (used on earlier versions) 1-1/4" x 6-1/2" (for later versions)	1 1 1
134	07-003093		CAP SCREW, HEX HEAD (1/2"-13 x 3", Grade 5)	2
135	07-058400		NUT, LUG (1/2"-13, Grade 8)	2
136	08-040700		RING, RETAINING (1-1/4")	4

TITLE SUPERSTRUCTURE ASSEMBLY, RP 66 (PLATE 4 OF 6)

PLATE NO. B02.201 **SIMON AERIALS INC.**

NEW 28 JUN., 1994

PART NO.

PARTS LIST

ITEM	PART NO	SEE SECTION	DESCRIPTION	QTY.
16	355 0280		SUPERSTRUCTURE GROUP	1
17	352 9670		SPEED REDUCER (Swing drive) ASSEMBLY	1
18	See plate . .	D06.12	MOTOR, HYDRAULIC SWING	1
19	See plate . .	F02.04	REDUCER, SWING (Planetary gear type)	1
20	01-013800		VALVE, SHUTTLE	1
21	350 8820		HYDRAULIC TUBE ASSEMBLY	
			(Approx. 8" [200 mm] long. Shuttle valve to brake.)	1
22	350 8835		HYDRAULIC TUBE ASSEMBLY ("U" shape)	2
23	06-039800		ADAPTER, "O"-RING TO 37° (6 F50X-S)	2
24	06-051500		90° ELBOW, SWIVEL NUT (6 C6X-S)	1
25	06-044500		90° ELBOW, STRAIGHT THREAD (6-4 C50X-S)	1
26	06-044600		90° ELBOW, STRAIGHT THREAD (6 C50X-S)	1
27	06-048500		RUN TEE, MALE "O"-RING (6 R50X-S)	2
28	06-090800		REDUCER/ EXPANDER (10-6 F50 G5-S)	2
29	07-003086		CAP SCREW, HEX HEAD (1/2"-13 x 1-1/4", Grade 5)	2
30	07-060018		WASHER, FLAT (1/2", SAE)	2
31	07-065018		WASHER, HELICAL LOCK	2
32	205 9387		RING, ECCENTRIC	1
33	215 9190		PLATE, ECCENTRIC LOCK	1
34	208 3030		SPACER, SPEED REDUCER SUPPORT	4
35	07-004131		CAP SCREW, HEX HEAD (5/8"-11 x 2-1/2", Grade 8)	4
36	07-061021		WASHER, FLAT (5/8" SAE)	4
37	07-065021		WASHER, HELICAL LOCK (1/2")	4
38	214 3480		GUARD, SWING PINION GEAR	1
39	210 9250		LOCK, SWIVEL	1
40	07-003086		CAP SCREW, HEX HEAD (1/2"-13 x 1-1/4", Grade 5)	2
41	07-040018		NUT, HEX (1/2"-13, Grade 5)	2
42	07-065018		WASHER, HELICAL LOCK (1/2")	4
43	07-062018		WASHER, FLAT (1/2")	4

TITLE **SUPERSTRUCTURE ASSEMBLY, RP 66 (SIMCON CONTROLS)**

Simon Aerials Inc.
 10600 West Brown Deer Road
 Milwaukee Wisconsin 53224 USA
 Parts Phone 1-800-47-SIMON
 24 Hr (Machine) 414-362-8280
 Fax 414-355-3172

SECTION **B02.** | PLATE NO. **205** | PAGE **03** | REV. - | DATED 03 MAR., 1997 | PART NO.

PARTS LIST

ITEM	PART NO	SEE SECTION	DESCRIPTION	QTY.
131	10-269600		SUPERSTRUCTURE GROUP (continued)	
132	07-029365		LATCH, FLUSH (Locking) SCREW, HEX WASHER HEAD	4
133	07-044014		(#12-14 x 1", self drilling, with rubber seal)	42
134	07-062014		NUT, ACORN (1/4"-20, Low crown, stainless steel) WASHER, FLAT (1/4")	25 25
135	10-128102		WASHER (Brass, .391" dia.)	8
136	10-129100		WEATHERSTRIP (3/16" x 3/4" x 50 Ft)	A.R.
137	10-138500		BUMPER, RECESSED (Rubber, 1" dia. x 1/2" high)	8
138	10-128300		EDGE TRIM (Vinyl, reinforced) (Bulk item, order as needed)	A.R.
139	354 5360		HOSE KIT, SUPERSTRUCTURE (MP 60 with Simcon controls)	1
140	07-004152		CAP SCREW, HEX HEAD (3/4"-10 x 2-3/4", Grade 8)	23
141	07-061022		WASHER, FLAT (3/4" SAE, hardened)	23
142	07-080004		PIN, HITCH (1-1/4" x 7") (includes hairpin clip)	1
143			CLIP, HAIRPIN	1
144	218 5280		CLAMP, HOSE	1
145	07-003055		CAP SCREW, HEX HEAD (3/8"-16 x 3-1/2", Grade 5)	2
146	07-050016		NUT, TOP LOCK (3/8"-16, Grade 5)	4
147	07-062016		WASHER, FLAT (3/8")	6
148	10-113000		PROTECTOR, HOSE (Rubber, 8" x 12" x 1/8")	2
149	10-113200		PROTECTOR, HOSE (Rubber, 6" x 9" x 1/8")	2
150	03-066400		TIE, CABLE [20" (508 mm) long]	15
151	03-066900		LOOM, WIRE (1/2") (Bulk item, 5 ft [1.5 m] required this application)	A.R.
152	10-060600		CLAMP, LOOP (3/8", for Fuel line)	5
153	10-061000		CLAMP, LOOP (5/8", for wire loom)	5
154	10-061200		CLAMP, LOOP (3/4", for LP line)	3
155	07-062014		WASHER, FLAT (1/4")	11
156	07-050014		NUT, LOCK (1/4"-20)	11

TITLE **SUPERSTRUCTURE ASSEMBLY, RP 66 (SIMCON CONTROLS)**

Simon Aerials Inc.
10600 West Brown Deer Road
Milwaukee Wisconsin 53224 USA
Parts Phone 1-800-47-SIMON
24 Hr (Machine) 414-362-8280
Fax 414-355-3172

SECTION **B02.** | PLATE NO. **205** | PAGE **08** | REV. - | DATED 03 MAR., 1997 | PART NO.

PARTS LIST

ITEM	PART NO	SEE SECTION	DESCRIPTION	QTY.
94	2319330		HINGE BOOM WELDMENT	1
95	04-039100	D25.201	CYLINDER, JIB BOOM ARTICULATION	1
96	06-044400		90° ELBOW, STRAIGHT THREAD (4-6 C50X-S)	2
97			PIN, ARTICULATION CYLINDER (Base end) (1-1/4" x 5-7/8")	1
	2322050		except Canada	1
	call Simon		CSA standards	1
98			PIN, ARTICULATION CYLINDER (Rod end) (1-1/4" x 6-3/4")	1
	2321910		except Canada	1
	call Simon		CSA standards	1
99	07-003052		CAP SCREW, HEX HEAD (3/8"-16 x 2-3/4", Grade 5)	4
100	07-050016		NUT, LOCK (3/8"-16, Grade 5)	4
101	03-706900		SWITCH, LIMIT (Push roller)	2
102	07-008353		CAP SCREW, SOCKET HEAD (#10-24 x 1", Grade 8)	4
103	07-065011		WASHER, HELICAL LOCK (#10)	4
104	03-045500		GRIP, CORD (1/2")	2
105	06-033300		ELBOW, UNION, BULKHEAD (4 WETX-S)	2
106	06-031800		UNION, BULKHEAD (4 WTX-S)	4
107	03-450100		RECEPTACLE, ELECTRICAL (23 conductor)	2
108	03-450400		PLUG, ELECTRICAL (23 conductor)	2
109	03-450200		NUT, PANEL	2
110	03-450300		WASHER, LOCK	2
111	03-450900		PIN, TERMINAL	38
112	03-451000		SOCKET, TERMINAL	38
113	03-085700		CABLE, ELECTRICAL (SJO, 4 conductor, #16 AWG)	
			[Bulk item, 30 Ft (9.1 M) required this application]	A.R.
	03-085900		CABLE, ELECTRICAL (SJO, 3 conductor, #12 AWG)	
			[Bulk item, 96 Ft (29.3 M) required this application]	A.R.
	03-085200		CABLE, ELECTRICAL (SJO, 2 conductor, #16 AWG)	
			[Bulk item, 88 Ft (26.8 M) required this application]	A.R.
	03-488800		CABLE, ELECTRICAL (Type F 569, 19 conductor, #16 AWG)	
			[Bulk item, 184 Ft (56.1 M) required this application]	A.R.
114	3536710		HOSE KIT, RP 66 BOOM	1
115	10-113200		PROTECTOR, HOSE (Neoprene, 6" x 9" x 1/8")	9
116	03-064700		TIE, CABLE [14.5" (368 mm) long]	8
117	2325480		COVER, HOSE	1
118	07-050014		NUT, LOCK (1/4"-20, Grade 5)	4
119	07-062014		WASHER, FLAT (1/4")	4

TITLE

BOOM ASSEMBLY, RP 66 (PLATE 4 OF 5)

PLATE NO. **B03.201**

SIMON AERIALS INC.

NEW 11 JUL., 1994

PART NO. **3536040**

PARTS LIST

ITEM	PART NO	SEE SECTION	DESCRIPTION	QTY.
1	355 0270 355 0370		PLATFORM GROUP (with "Simcon" Controls) Model RP 46 Model RP 66	1
2	355 0650 355 0120		PLATFORM ASSEMBLY (30" x 60" [.76 m x 1.52 m]) Model RP 46 Model RP 66	
3	231 9380		PLATFORM WELDMENT	1
4	351 4160		BAR ASSEMBLY, LATCH (standard "Lift and Swing" style)	1
5	204 1724		PIVOT, DOOR	1
6	207 6577		BAR, LATCH	1
7	204 1649		SPACER, LATCH BAR PIVOT	1
8	07-003047		CAP SCREW, HEX HEAD (3/8"-16 x 1-1/2", Grade 5)	1
9	07-050016		NUT, HEX LOCK (3/8"-16, Grade 5)	1
10	08-010100		SPRING AND TUBE ASSEMBLY	1
11	210 8380		SPACER	1
12	07-003043		CAP SCREW, HEX HEAD (3/8"-16 x 3/4", Grade 5)	1
13	07-003096		CAP SCREW, HEX HEAD (1/2"-13 x 3-3/4", Grade 5)	1
14	07-058400		NUT, LOCK (1/2"-13, Grade 8)	1
15	03-021300		SWITCH ASSEMBLY, FOOT (Single pole)	1
16	03-021301		SWITCH (Single pole, double throw)	1
17	03-021302		COVER, SWITCH (Guard type, with latch)	1
18	07-003004		CAP SCREW, HEX HEAD (1/4"-20 x 7/8", Grade 5)	3
19	07-065014		WASHER, HELICAL LOCK (1/4")	3
20	03-045000		REDUCER (3/4" to 1/2")	1
21	03-063300		GRIP, CORD (90°, 1/2", with .31" to .38" seal)	1
22	03-085700		CABLE, ELECTRICAL (SJO, 4 conductor, #16 AWG) (Bulk item, 7 ft [2.1 m] required this application)	A.R.

TITLE **PLATFORM GROUP, RP 46, RP 66 WITH SIMCON CONTROLS**

Simon Aerials Inc.
10600 West Brown Deer Road
Milwaukee Wisconsin 53224 USA
Parts Phone 1-800-47-SIMON
24 Hr (Machine) 414-362-8280
Fax 414-355-3172

SECTION **B04.** | PLATE NO. **204** | PAGE **01** | REV. - | DATED 03 MAR., 1997 | PART NO.

PARTS LIST

ITEM	PART NO	SEE SECTION	DESCRIPTION	QTY.
			GROUND CONTROL BOX ASSEMBLY (continued)	
21	234 7800		SUBPLATE, MOUNTING (upper)	1
22	235 0480		SUBPLATE, MOUNTING (lower)	1
23	07-013414		MACHINE SCREW, ROUND HD (#10-32 x 1/2", Grade 2)	10
24	07-117600		WASHER, EXTERNAL TOOTH (#10)	8
25	03-731000		BOARD, PRINTED CIRCUIT	1
26	03-732200		PLUG, ELECTRICAL (marked "DRC 18-40S A ")	1
27	03-732300		PLUG, ELECTRICAL (marked "DRC 18-40S B ")	1
28	235 0150		COVER, PRINTED CIRCUIT BOARD	1
29			DECAL, "USER ASSIST DIAGNOSTIC SYSTEM . . ." (mounts to outside of circuit board cover)	1
	10-266700		English language (comes with Control Box Assembly)	
	10-266702		French language	
	10-266703		German language	
30	10-269200		DECAL, "WARNING" (Controller board diagram) (mounts to inside of circuit board cover)	1
31	07-011344		MACHINE SCREW, PAN HEAD (#8-32 x 3/4", Grade 2)	4
32	07-050009		NUT, HEX LOCK (#8-32, Grade 5)	4
33			RAIL, TERMINAL CARRIER 1.38" (35 mm) wide, 10.75" (273 m) long Option. 1m (39.4") long piece. Cut to fit.	1 A.R.
	235 1120			
	03-051700			
34	07-011335		MACHINE SCREW, PAN HEAD (#6-32 x 1/2")	2
35	03-505600		BLOCK, TERMINAL	39
36	03-039100		BLOCK, TERMINAL (Grounding, for #12 Ga. wire)	2
37	03-469200		SOCKET, RELAY	2
38	03-467500		RELAY (Sealed, 12 Volt DC, normally open, SPDT)	2
39	03-041700		GRIP, CORD (3/8", with .31" to .38" seal)	3
40	03-055700		NUT, CONDUIT LOCK (3/8")	3
41	03-041000		GRIP, CORD (1/2", with .38" to .44" seal)	4
42	03-055500		NUT, CONDUIT (1/2")	4
43	03-063200		GRIP, CORD (3/4", with .69" to .75" seal)	1
44	03-055600		NUT, CONDUIT LOCK (3/4")	1
45	03-439000		TIE, CABLE (3-5/8" [92 mm] long)	A.R.
46	03-064000		TIE, CABLE (7.4" [188 mm] long)	A.R.
47	03-064100		MOUNT, CABLE TIE (Adhesive backed)	A.R.
			The following items are not included with the Ground Control Box:	
48	03-467500		RELAY (Sealed, 12 Volt DC, normally open, SPDT) (for optional lights)	1
49	03-469200		SOCKET, RELAY (for optional lights)	1

TITLE **GROUND CONTROL BOX ASSEMBLY, SIMCON CONTROLS**

Simon Aerials Inc.
10600 West Brown Deer Road
Milwaukee Wisconsin 53224 USA
Parts Phone 1-800-47-SIMON
24 Hr (Machine) 414-362-8280
Fax 414-355-3172

SECTION **C03.** PLATE NO. **44** PAGE **02** REV. - DATED 13 DEC., 1996 PART NO. **355 0100**

PARTS LIST

ITEM	PART NO	SEE SECTION	DESCRIPTION	QTY.
30	09-000405		VALVE, ENGINE SOLENOID (Throttle advance)	1
31	06-198600		90° COMPRESSION FITTING (169 CA-3-4) (1/4" NPT to 3/16" tubing)	3
32	11-030506		BUSHING, REDUCER (1/4" x 1/8")	A.R.
33			ELBOW	1
34	07-008310		CAP SCREW, SOCKET HEAD (#10-32 x 3/4", Grade 5)	2
35	07-065011		WASHER, HELICAL LOCK (#10)	2
36	07-062009		WASHER, FLAT (#8)	2
37	07-060014		WASHER, FLAT (1/4" SAE)	2
38	09-028100		CYLINDER, THROTTLE (3 position, double acting)	1
39	01-072300		VENT, CYLINDER BREATHER (1/8" NPT)	2
40	06-199300		FITTING, COMPRESSION (Straight)	1
41	07-003004		CAP SCREW, HEX HEAD (1/4-20 x 7/8", Grade 5)	4
42	07-060014		WASHER, FLAT (1/4" SAE)	8
43	07-050014		NUT, HEX LOCK (1/4"-20, Grade 5)	4
44	11-040008		COUPLER, THREADED ROD (5/16"-24 x 1-1/8")	1
45	07-047115		NUT, JAM (5/16"-24)	2
46	07-090161		SET SCREW, SOCKET (5/16"-24 x 1", cup point)	1
47	09-028101		CLEVIS, CYLINDER (includes pin and retaining rings)	1
48	2112370		LINK, THROTTLE (comes with engine)	1
49			SCREW (Link to governor lever)	1
50			NUT (Link to governor lever)	1
51	2321090		BRACKET, THROTTLE SPRING	1
52	10-168500		SPRING, THROTTLE RETURN EXTENSION	1
53	2307030		BRACKET, TERMINAL STRIP	1
54	03-068000		STRIP, TERMINAL (10 contact)	1
55	03-467500		RELAY (Single pole, single throw, 12 Volt DC, normally open, sealed)	1
56	07-011334		MACHINE SCREW, ROUND HEAD (#6-32 x 3/4")	2
57	07-050007		NUT, STOP (#6-32, Grade 5)	2
58	07-062009		WASHER, FLAT (#8)	1
59	09-052200		SENDER, OIL PRESSURE GAUGE (0-100 PSI)	1
60	06-199300		FITTING, COMPRESSION (Straight)	1
61	06-074600		TEE, STRAIGHT TO PIPE THREAD (2 MRO-S)	1
62	06-070600		REDUCER, PIPE THREAD (4-2 PTR-S)	1
63	06-199300		FITTING, COMPRESSION (Straight)	1
64	06-081300		45° ELBOW, STRAIGHT TO PIPE THREAD (2 CD45-S)	1
65	06-201000		FITTING, COMPRESSION (209 P-6-2)	1
66			SWITCH, OIL PRESSURE (comes with engine)	1
67	09-049500		SWITCH, LOW PRESSURE (2 pole, normally open, 4 PSI, 1/8 TD)	1

TITLE ENGINE ASSEMBLY, FORD LSG-423 (PLATE 2 OF 3)

PLATE NO. C04.27

SIMON AERIALS INC.

NEW 04 AUG., 1994

PART NO.

PARTS LIST

ITEM	PART NO	SEE SECTION	DESCRIPTION	QTY.
1	3531260		ENGINE ASSEMBLY (Deutz Model F3L 1011) with HPR 40 Pump	1
	3522690		with HPR 50 Pump	1
2	09-044800		ENGINE, DIESEL (Deutz Model F3L 1011) [42 HP (31 Kw) @ 3,000 RPM, air cooled 3 cylinder]	1
3	09-044801		SOLENOID, FUEL SHUTDOWN (comes with engine)	1
4	- - -		MOUNT, ENGINE (comes with engine)	4
5	03-469400		SOLENOID, THROTTLE (does not include module)	1
6	03-456803		MODULE, THROTTLE SOLENOID	1
7	03-469403		ROD, LINKAGE	1
8	03-469401		BALL JOINT (Straight)	1
9	03-469405		BALL JOINT (90°)	1
10			SWITCH, OIL PRESSURE (comes with engine)	1
11	2305190		BRACKET, MOUNTING (Oil pressure sending unit) (used with HPR 40 pump only)	1
12	07-003004		CAP SCREW, HEX HEAD (1/4-20 x 7/8", Grade 5)	1
13	07-060014		WASHER, FLAT (1/4", SAE)	2
14	07-050014		NUT, HEX LOCK (1/4"-20, Grade 5)	1
15	06-074600		TEE, STRAIGHT/ PIPE THREAD ADAPTER (2 MRO-S)	1
16	06-199300		FITTING, COMPRESSION (Straight, 3/16" x 1/8")	2
17	09-052200		SENDER, OIL PRESSURE GAUGE (0-100 PSI) (used with HPR 40 pump only)	1
18	05-081900		FUEL LINE (5/16") [Bulk item, order as needed. 9" (22.9 cm) needed this application]	A.R.
19	09-004600		CLAMP, WORM (1/4" to 5/8") (for fuel line) with HPR 40 Pump	2
			with HPR 50 Pump	4
20	07-062016		WASHER, FLAT (3/8") (used with HPR 40 pump only)	2
21	06-084600		ELBOW, FEMALE PIPE THREAD (2 DD-S)	1
22	05-082200		OIL PRESSURE LINE (3/16") [Bulk item, order as needed. 16" (40.6 cm) needed this application]	A.R.
23	2169790		BRACKET, TERMINAL STRIP	1
24	07-005184		CAP SCREW, HEX HEAD (M 10 x 25 mm, Grade 8.8)	3
25	07-066006		WASHER, LOCK (10 mm)	3
26	07-060016		WASHER, FLAT (3/8", SAE)	3
27	03-068000		BLOCK, TERMINAL (10 station)	1
28	07-011334		MACHINE SCREW, ROUND HEAD (#6-32 x 3/4")	2
29	07-050007		NUT, STOP (#6-32, Grade 5)	2
30	03-051300		RELAY (Single pole, single throw)	1
31	07-003002		CAP SCREW, HEX HEAD (1/4-20 x 5/8", Grade 5)	2
32	07-060014		WASHER, FLAT (1/4" SAE)	2
33	07-050014		NUT, HEX LOCK (1/4"-20, Grade 5)	2

TITLE ENGINE ASSEMBLY, DEUTZ F3L 1011 DIESEL (PLATE 1 OF 3)

PLATE NO. C04.34

SIMON AERIALS INC.

NEW 27 JAN., 1994

PART NO.

CLICK HERE TO **DOWNLOAD** THE COMPLETE MANUAL

- Thank you very much for reading the preview of the manual.
- You can download the complete manual from: www.heydownloads.com by clicking the link below



- Please note: If there is no response to CLICKING the link, please download this PDF first and then click on it.

CLICK HERE TO **DOWNLOAD** THE COMPLETE MANUAL

PARTS LIST

ITEM	PART NO	SEE SECTION	DESCRIPTION	QTY.
26	03-051700		RAIL, TERMINAL (1 M [39.38"] long section) (305 mm [12"] long piece needed for this application)	A.R.
27	03-051600		SOCKET, RELAY (Single pole, snap mount)	3
28	03-051500		RELAY, PLUG IN (12 Volt DC, single pole) For Model RP 46 For Model RP 66	2 3
29	03-066200		BLOCK, TERMINAL (25 Amp, for #12 Gauge wire) For Model RP 46 For Model RP 66	39 43
30	03-066100		PLATE, TERMINAL BLOCK END	1
31	03-066300		BAR, JUMPER (2 pole) (Double line jumper)	A.R.
	03-067500		BAR, JUMPER (3 pole) (Triple line jumper)	A.R.
	03-707200		BAR, JUMPER (4 pole) (Quad line jumper)	A.R.
32	03-036400		BLOCK, TERMINAL (2 conductor, #16-#24 ga. wire)	6
33	03-036500		BLOCK, TERMINAL (4 conductor, #16-#24 ga. wire) For Model RP 46 For Model RP 66	4 3
34	03-036700		PLATE, TERMINAL BLOCK END	1
35	03-036600		RAIL, TERMINAL (1 M [39.37"] long section) (102 mm [4"] long piece needed for this application)	A.R.
36	07-011335		MACHINE SCREW, ROUND HEAD (#6-32 x 1/2")	4
37	07-090063		WASHER, EXTERNAL TOOTH (#6)	2
38	07-050007		NUT, STOP (#6-32, Grade 5)	2
39	03-501800		ALARM (Dual tone)	1
40	03-027231		POTENTIOMETER (10 K Ohm)	2
41	03-044900		LOCK, SHAFT	2
42	232 3870		BRACKET, POTENTIOMETER MOUNTING	1
43	07-090156		CAP SCREW, BUTTON HEAD (1/4"-20 x 5/8", Stainless Steel)	2
44	07-065014		WASHER, HELICAL LOCK (1/4")	2
45	03-063200		GRIP, CORD (3/4", with .69" to .75" seal)	2
46	03-055600		NUT, CONDUIT (3/4")	2
47	03-041000		GRIP, CORD (1/2", with .38" to .44" seal)	1
48	03-055500		NUT, CONDUIT (1/2")	1

TITLE PLATFORM CONTROL BOX, RP 46, RP 66 (PLATE 2 OF 3)

PLATE NO. C08.201 **SIMON AERIALS INC.**

REV. 02 FEB., 1996

PART NO.

PARTS LIST

ITEM	PART NO	SEE SECTION	DESCRIPTION	QTY.
1	354 7050		VALVE ASSEMBLY, DRIVE (MP 60, RP 66)	1
2	01-238400		VALVE BLOCK ASSEMBLY, DRIVE	1
3	06-041400		Ports "P1" and "P2": ADAPTER, "O"-RING TO 37° (16 F50X-S)	2
4	06-052000		90° ELBOW, SWIVEL NUT (16 C6X-S) (some earlier versions)	2
5	06-040800		Port "A" (Right side): ADAPTER, "O"-RING TO 37° (12 F50X-S)	1
6	06-040800		Port "B" (Right side): ADAPTER, "O"-RING TO 37° (12 F50X-S)	1
7	06-047400		Port "C" (Right side): 45° ELBOW, "O"-RING TO 37° (12 V50X-S)	1
8	06-047400		Port "D" (Right side): 45° ELBOW, "O"-RING TO 37° (12 V50X-S)	1
9	06-039500		Port "BR" (Brake): ADAPTER, "O"-RING TO 37° (4-6 F50X-S)	1
10	06-054300		RUN TEE, 37° FEMALE SWIVEL NUT (4 R6X-S)	1
11	06-040800		Port "A" (Left side): ADAPTER, "O"-RING TO 37° (12 F50X-S)	1
12	06-040800		Port "B" (Left side): ADAPTER, "O"-RING TO 37° (12 F50X-S)	1
13	06-047400		Port "C" (Left side): 45° ELBOW, "O"-RING TO 37° (12 V50X-S)	1
14	06-047400		Port "D" (Left side): 45° ELBOW, "O"-RING TO 37° (12 V50X-S)	1
15	06-044600		Port "Y" (Drain): 90° ELBOW, "O"-RING TO 37° (6 C50X-S)	1
16	06-054500		RUN TEE, 37° FEMALE SWIVEL NUT (6 R6X-S)	1
17	06-056000		BRANCH TEE, 37° FEMALE SWIVEL NUT (6 S6X-S)	1
			The following items are not included with the Drive Valve Assembly:	
18	07-003045		CAP SCREW, HEX HEAD (3/8"-16 x 1", Grade 5)	4
19	07-065016		WASHER, HELICAL LOCK (3/8")	4
20	07-062016		WASHER, FLAT (3/8")	4

TITLE DRIVE VALVE ASSEMBLY (FOUR WHEEL DRIVE)					
SECTION	C12.	PLATE NO.	05	PAGE	01
REV.	-	DATED	10 JUN., 1996	PART NO.	354 7050

Simon Aerials Inc.
10600 West Brown Deer Road
Milwaukee Wisconsin 53224 USA
Parts Phone 1-800-47-SIMON
24 Hr (Machine) 414-362-8280
Fax 414-355-3172

PARTS LIST

ITEM	PART NO	SEE SECTION	DESCRIPTION	QTY.
	01-206900		PUMP ASSEMBLY, HYDRAULIC (HPR 40) Pump marked "*ROPV 312 XXXXXX*" and "24 71 R11531"	1
	01-019500		PUMP ASSEMBLY, HYDRAULIC (HPR 50) Pump marked "*ROPV 322 XXXXXX*" and "24 72 R11531"	1
	01-018700		PUMP ASSEMBLY, HYDRAULIC (HPR 65) Pump marked "*ROPV 332 XXXXXX*" and "24 73 R11531"	1
			Note: Type 2 pumps, with unitized control valve design.	
1			HOUSING ASSEMBLY, PUMP	1
2			HOUSING, PUMP	1
3	01-019519		VALVE, INLET	8
4	01-019518		SEAT, DISCHARGE VALVE	8
5	01-018707		SEAL KIT (components indicated by asterisks, page 1 and 2)	1
6	01-002605	*	SEAL, OIL	1
7		*	SHIELD (plastic)	8
8	01-019512	*	"O"-RING	8
9	01-018704	*	"O"-RING, CENTER HUB	1
10	01-018705	*	RING, SEALING	1
11			VALVE, DISCHARGE	8
12	01-019517		GUIDE, VALVE	1
13	01-018715		DISC, DISCHARGE VALVE	1
14	01-019516		SPRING	1
15	01-019515	*	"O"-RING	1
16			PLUG, DISCHARGE VALVE	1
17	01-019503		RING, SNAP	1
18	01-019514		PISTON	8
19	01-019513		SPRING, PISTON	8
20	01-019520		PIN, COOLING	8
21			PLUG, PISTON	8
22			SHAFT, PUMP (for HPR 40)	1
	01-019506		SHAFT, PUMP (for HPR 50)	1
	01-018708		SHAFT, PUMP (for HPR 65)	1
23	01-019504		CUP, PUMP SHAFT BEARING	2
24	01-019505		CONE AND ROLLER, PUMP SHAFT BEARING	2
25	01-018710		SPACER	2
26	01-019510		WASHER, THRUST	2
27	01-019508		RACE, BEARING	1
28	01-019507		ROLLER, NEEDLE	50
29	01-019521		SPACER, NEEDLE ROLLER	3
30	01-019509		SHIM (0.15 mm)	A.R.
			SHIM (0.25 mm)	A.R.

TITLE HYDRAULIC PUMP ASSEMBLY (PLATE 1 OF 2)

PLATE NO. D08.13

SIMON AERIALS INC.

REV. 17 MAR., 1995

PART NO.

PARTS LIST

ITEM	PART NO	SEE SECTION	DESCRIPTION	QTY.
21	Call Simon Call Simon		SPOOL KIT, COMPENSATOR for first type valve bank assemblies (MP series only) for second type MP and all RP valve bank assemblies	1
22			SPOOL, COMPENSATOR	1
23			SHIM (.025" [.635 mm])	3
			SHIM (.008" [.203 mm])	3
24			SHIM (.003" [.076 mm])	3
25			SPRING, COMPENSATOR (outer)	1
			SPRING, COMPENSATOR (inner, needed for 10 Gal [37.8 Liters]/ Min flow or greater)	1
26	01-211016 Call Simon		CARTRIDGE KIT, PRESSURE LIMITER for first type valve bank assemblies (MP series only) for second type MP and all RP valve bank assemblies	1
27			PLUG, RELIEF	1
28		*	"O"-RING	1
29			RING, BACKUP	1
30		*	"O"-RING	1
31			SEAT	1
32			POPPET, RELIEF	1
33			SPRING, RELIEF	1
34			SCREW, ADJUSTMENT	1
35			PLUG, HEX	1
36			PLUG	1
37		*	"O"-RING	1
38	01-211010 Call Simon		SET SCREW for first type valve bank assemblies (MP series only) for second type MP and all RP valve bank assemblies	2
39	01-211011 Call Simon	*	NUT, SEAL for first type valve bank assemblies (MP series only) for second type MP and all RP valve bank assemblies	2
40	01-211008 Call Simon		HANDLE SHAFT KIT for first type valve bank assemblies (MP series only) for second type MP and all RP valve bank assemblies	1
41			LINK, SHAFT	1
42			BALL (Steel)	17
43			RETAINER, BEARING	1
44		*	"O"-RING	1
45			PLUG, OVERRIDE	1
46		*	"O"-RING	1

TITLE TELESCOPE VALVE, MP/ RP (ELECTRO-PROPORTIONAL, TYPE 2) (2 OF 3)

PLATE NO. D13.07

SIMON AERIALS INC.

REV. 26 JUL., 1994

PART NO.

PARTS LIST

ITEM	PART NO	SEE SECTION	DESCRIPTION	QTY.
1	01-231205 01-231203 Call Simon		BOOM RAISE/ LOWER VALVE SECTION for Model RP 66 main boom for Model RP 66 jib boom for all other models, please specify Model, Machine Serial Number and Part Number stamped on Valve nameplate.	1
1			HOUSING, BOOM RAISE/ LOWER VALVE SECTION	1
2	01-211004 Call Simon		SEAL KIT, WORK SEGMENT . . . includes; for first type valve bank assemblies (MP series only) for second type MP and all RP valve bank assemblies	1
3			BALL (for housing cross port)	1
4			"O"-RING (for housing cross port)	1
5			"O"-RING (for housing cross port)	2
6			"O"-RING (for housing cross port) plus all items below marked with an asterisk (*)	3
7	01-210901 Call Simon		SPOOL KIT, BOOM RAISE/ LOWER VALVE For Model MP 95 or MP 110 (6.5 Gal/ Min [24.6 Liter/ Min]) For all other models, please specify Model, Machine Serial Number and Part Number stamped on Valve nameplate. If for RP Series, also specify if for main or jib boom.	1
8			SPOOL	1
9			RING, RETAINING	1
10			GUIDE, SPRING	2
11			SPRING, CENTERING	1
12			SHIM	1
13		*	"O"-RING	1
14			HOOK, OVERRIDE	1
15	01-211013 Call Simon		PLUG, HEX for first type valve bank assemblies (MP series only) for second type MP and all RP valve bank assemblies	1
16			PLUG	1
17		*	"O"-RING	1
18			PLUG, SOCKET	1
19	01-211009 Call Simon		for first type valve bank assemblies (MP series only) for second type MP and all RP valve bank assemblies PLUG	1
20		*	"O"-RING	1

TITLE BOOM VALVE, MP/ RP (ELECTRO-PROPORTIONAL, TYPE 2) (1 OF 3)

PLATE NO. D13.09

SIMON AERIALS INC.

REV. 26 JUL., 1994

PART NO.

PARTS LIST

ITEM	PART NO	SEE SECTION	DESCRIPTION	QTY.
			Cylinder can be identified by Part Number "04039000SH" on nameplate located on valve block.	
1			CASE, CYLINDER	1
2			ROD, CYLINDER	1
3			PISTON	1
4			SPACER	1
5			GLAND, HEAD	1
6			NUT, LOCK	1
7			BUSHING	4
8	04-039001		SEAL KIT	1
9			WIPER, ROD	1
10			SEAL, ROD	1
11			"O"-RING	1
12			RING, BACKUP	1
13			RING, PISTON WEAR	1
14			"O"-RING	1
15			SEAL, PISTON	1
16			"O"-RING	1
17	04-028302		VALVE, COUNTERBALANCE Type 1 (Valve is stamped "CB-CG-LJN")	2
	01-227200		Type 2 [Valve is stamped "CB-CB-LHN", and set at 3,000 PSI (207 Bar) (211 Kg/ cm ²)] Note: "Type 1" and "Type 2" valves are directly interchangeable, but must be replaced in pairs . When ordering a replacement valve, (2) of "Type 2" will be supplied unless otherwise specified.	2
18	04-028303		SEAL KIT, COUNTERBALANCE VALVE (for "Type 1" Valve)	1
	01-227201		(for "Type 2" Valve)	1

TITLE SLAVE LEVEL CYLINDER, 7" (17.8 CM) STROKE

PLATE NO. **D20.201**

SIMON AERIALS INC.

NEW 22 JUN., 1994

PART NO. **04-039000**

CLICK HERE TO **DOWNLOAD** THE COMPLETE MANUAL

- Thank you very much for reading the preview of the manual.
- You can download the complete manual from: www.heydownloads.com by clicking the link below



- Please note: If there is no response to CLICKING the link, please download this PDF first and then click on it.

CLICK HERE TO **DOWNLOAD** THE COMPLETE MANUAL