



Illustrated Parts Manual Manuel de pièces détachées

***MODELS / MODELES
TOUCAN Juniors B***



31210045
July 26, 2011



CLICK HERE TO **DOWNLOAD** THE COMPLETE MANUAL

- Thank you very much for reading the preview of the manual.
- You can download the complete manual from: www.heydownloads.com by clicking the link below



- Please note: If there is no response to CLICKING the link, please download this PDF first and then click on it.

CLICK HERE TO **DOWNLOAD** THE COMPLETE MANUAL

SECTION 1 COVERS INSTALL / INSTALLATION CAPOTS

FIGURE 1-2. LOWER CONTROL BOX COVER OPTION / OPTION CAPOT BOITIER BAS

DET REP	PART_NUMBER REF.	QTY	DESCRIPTION		REV	INFORMATION
			LOWER CONTROL BOX COVER OPTION	OPTION CAPOT BOITIER BAS		OPS482
1	000067	4	M05x12 8.8 SOCKET HEAD MACH SCREW	VIS CHC M05x12 8.8 BI FT		
2	110002	4	M05 GR. 8.8 LOCK NUT	ECROU FREIN M5 8.8 BI		
3	110003	2	M06 GR. 8.8 LOCK NUT	ECROU FREIN M6 8.8 BI		
4	120002	4	M05 WASHER	RONDELLE M05 BI		
5	120009	2	dD 06x14 LOCK WASHER	RONDELLE CONTACT dD 06x14 BI		
6	130002	2	M06x20 6.8 ROUND HEAD MACH SCREW	VIS BOMBEE ULF M06x20 6.8 BI FT		
7	190032	1	FEMALE HINGE	PAUMELLE FEMELLE		
8	190033	1	MALE HINGE	PAUMELLE MALE		
9	190037	1	ROTARY LATCH	LOQUET		
10	ST2904	1	COVER SUPPORT	SUPPORT COUVERCLE		
11	ST2905	1	CONTROL BOX COVER	COUVERCLE BOITIER BAS		13MSPT / Duo
11	ST2906	1	CONTROL BOX COVER	COUVERCLE BOITIER BAS		Junior

SECTION 2 ELECTRICAL INSTALL / INSTALLATION ELECTRIQUE

FIGURE 2-3-1. MATE-N-LOK CONNECTORS / CONNECTEURS MATE-N-LOK

DET REP	PARTNUMBER REF.	QTY	DESCRIPTION	REV	INFORMATION
			MATE-N-LOK CONNECTORS		RM0090
1	210029		9 POSITIONS PLUG HOUSING "MNL"		
2	210030		9 POSITIONS CAP HOUSING "MNL"		
3	210031		9 POSITIONS INTERFACE SEAL		
4	210032		9 POSITIONS WIRE SEAL		
5	210033		SOCKET CONTACT "MATE-N-LOK"		
6	210034		PIN CONTACT "MATE-N-LOK"		
7	250140		3 POSITIONS "MNL" PLUG HOUSING		
8	250141		3 POSITIONS "MNL" CAP HOUSING		
9	250143		3 POSITIONS INTERFACE SEAL		
10	250144		3 POSITIONS WIRE SEAL		
11	250145		4 POSITIONS "MNL" PLUG HOUSING		
12	250146		4 POSITIONS "MNL" CAP HOUSING		
13	250148		4 POSITIONS INTERFACE SEAL		
14	250149		4 POSITIONS WIRE SEAL		
15	250150		6 POSITIONS "MNL" PLUG HOUSING		
16	250151		6 POSITIONS "MNL" CAP HOUSING		
17	250153		6 POSITIONS INTERFACE SEAL		
18	250154		6 POSITIONS WIRE SEAL		
19	250155		12 POSITIONS "MNL" PLUG HOUSING		
20	250156		12 POSITIONS "MNL" CAP HOUSING		
21	250158		12 POSITIONS INTERFACE SEAL		
22	250159		12 POSITIONS WIRE SEAL		
23	250193		2 POSITIONS "MNL" PLUG HOUSING		
24	250194		2 POSITIONS "MNL" CAP HOUSING		
25	250195		2 POSITIONS INTERFACE SEAL		
26	250196		2 POSITIONS WIRE SEAL		
			CONNECTEURS MATE-N-LOK		
			CONNECTEUR MALE 9 COSSES "MNL"		
			CONNECTEUR FEMELLE 9 COSSES "MNL"		
			JOINT INTERFACE CONNECTEUR 9 CTS		
			JOINT ARRIERE CONNECTEUR 9 CTS		
			CONTACT FEMELLE "MATE-N-LOK"		
			CONTACT MALE "MATE-N-LOK"		
			CONNECTEUR MALE 3 CONTACTS "MNL"		
			CONNECTEUR FEMELLE 3 CTS "MNL"		
			JOINT INTERFACE CONNECTEUR 3 CTS		
			JOINT ARRIERE CONNECTEUR 3 CTS		
			CONNECTEUR MALE 4 CONTACTS "MNL"		
			CONNECTEUR FEMELLE 4 CTS "MNL"		
			JOINT INTERFACE CONNECTEUR 4 CTS		
			JOINT ARRIERE CONNECTEUR 4 CTS		
			CONNECTEUR MALE 6 CONTACTS "MNL"		
			CONNECTEUR FEMELLE 6 CTS "MNL"		
			JOINT INTERFACE CONNECTEUR 6 CTS		
			JOINT ARRIERE CONNECTEUR 6 CTS		
			CONNECTEUR MALE 12 CONTACTS "MNL"		
			CONNECTEUR FEMELLE 12 CTS "MNL"		
			JOINT INTERFACE CONNECTEUR 12 CTS		
			JOINT ARRIERE CONNECTEUR 12 CTS		
			CONNECTEUR MALE 2 CONTACTS "MNL"		
			CONNECTEUR FEMELLE 2 CTS "MNL"		
			JOINT INTERFACE CONNECTEUR 2 CTS		
			JOINT ARRIERE CONNECTEUR 2 CTS		

SECTION 2 ELECTRICAL INSTALL / INSTALLATION ELECTRIQUE

**FIGURE 2-3-6. S/N PRIOR/AVANT JUNIOR 6B #16539 & JUNIOR 8B #19232 L.C.B. WITHOUT
HOURMETER / BOITIER BAS SANS HORAMETRE**

DET REP	PARTNUMBER REF.	QTY	DESCRIPTION		REV	INFORMATION
	SE0716		S/N PRIOR J6B #16539 & J8B #19232 LCB W/O HOURMETER	AVANT J6B #16539 & J8B #19232- BOITIER BAS SANS HORAMETRE		SE0716
1	000020	4	M04x20 8.8 SOCKET HEAD MACH SCREW	VIS CHC M04x20 8.8 BI FT		
2	000091	12	M03x16 8.8 SOCKET HEAD MACH SCREW	VIS CHC M03x16 8.8 BI FT		
3	110001	4	M04 GR. 8.8 LOCK NUT	ECROU FREIN M4 8.8 BI		
4	110024	2	M03 GR. 8.8 LOCK NUT	ECROU FREIN M03 8.8 BI		
5	120023	16	M03 LOCK WASHER	RONDELLE CONTACT M03 BI		
6	120024	4	M04 LOCK WASHER	RONDELLE CONTACT M04 BI		
7	130052	2	M03x30 8.8 COUNTERSUNK HEAD M. S.	VIS FHC M03x30 8.8 BI FT		
8	240057	3	NC CONTACT BLOCK	CONTACT NF		
9	240058	7	NO CONTACT BLOCK	CONTACT NO		
10	240059	1	2 POSITIONS SELECTOR	SELECTEUR 2 POSITIONS		
11	240060	1	TURN TO RELEASE KNOB	BOUTON D'ARRET D'URGENCE 1/4 TOUR		
12	240061	2	PUSH BUTTON	BOUTON POUSSOIR		
13	240066	1	3 POSITIONS KEY SELECTOR	SELECTEUR A CLE 3 POSITIONS		
14	240076	5	CONTACT BLOCK HOLDER	EMBASE CONTACT		
15	240082	2	PUSH BUTTON CAP	CAPUCHON D'ETANCHEITE		
16	250060	4	RECEPTACLE TERMINAL 4.8 - 0.25-1 mm ²	COSSE ISOLEE 4.8 mm 0.25-1 mm ²		
17	250184	2	Ø 3x 14 PLASTIC SPACER	ENTRETOISE PVC Ø 3 lg 14		
18	260074	2	5A QUICK ACTING FUSE	FUSIBLE RAPIDE 5A		
19	260131	18	PIN CONTACT	CONTACT MALE		
20	260134	1	TOGGLE SWITCH GASKET	JOINT D'INVERSEUR		
21	260166	1	18 POSITIONS CHASSIS PLUG HOUSING	EMBASE CONNECTEUR 18 CONTACTS		
22	260167	3	18 POSITIONS CHASSIS PLUG GASCKET	JOINT CONNECTEUR 18 CONTACTS		
23	260224	1	FUSE HOLDER	PORTE FUSIBLE		
24	290051	1	6 LEDS BATTERY BOARD	CARTE BATTERIE 6 LEDS		
25	290061	1	LOWER CONTROL BOX BOARD	CARTE BOITIER BAS		
26	910003	1	KEY N°421	CLE N°421		
27	AU1875	1	LOWER CONTROL BOX DECAL	AUTOCOLLANT BOITIER BAS		
28	SD0663	1	DRILLED ELECTRICAL BOX	BOITIER ELECTRIQUE PERCE		
29	ST1935	3	CONNECTOR PLATE	CONTRE PLAQUE CONNECTEUR		
30	ST2743	1	LOWER CONTROL BOX SUPPORT SHIELD	TOLE SUPPORT BOITIER BAS		
31		1	CONNECTORS ON HARNESS ASSEM- BLIES	CONNECTEURS SUR FAISCEAUX		RM0091

**SECTION 2 ELECTRICAL INSTALL /
INSTALLATION ELECTRIQUE**

**FIGURE 2-3-9. S/N PRIOR/AVANT JUNIOR 6B #16539 & JUNIOR 8B #19232 L.C.B. WITH HOURMETER
/ BOITIER BAS AVEC HORAMETRE (CONTINUED)**

DET REP	PARTNUMBER REF.	QTY	DESCRIPTION		REV	INFORMATION

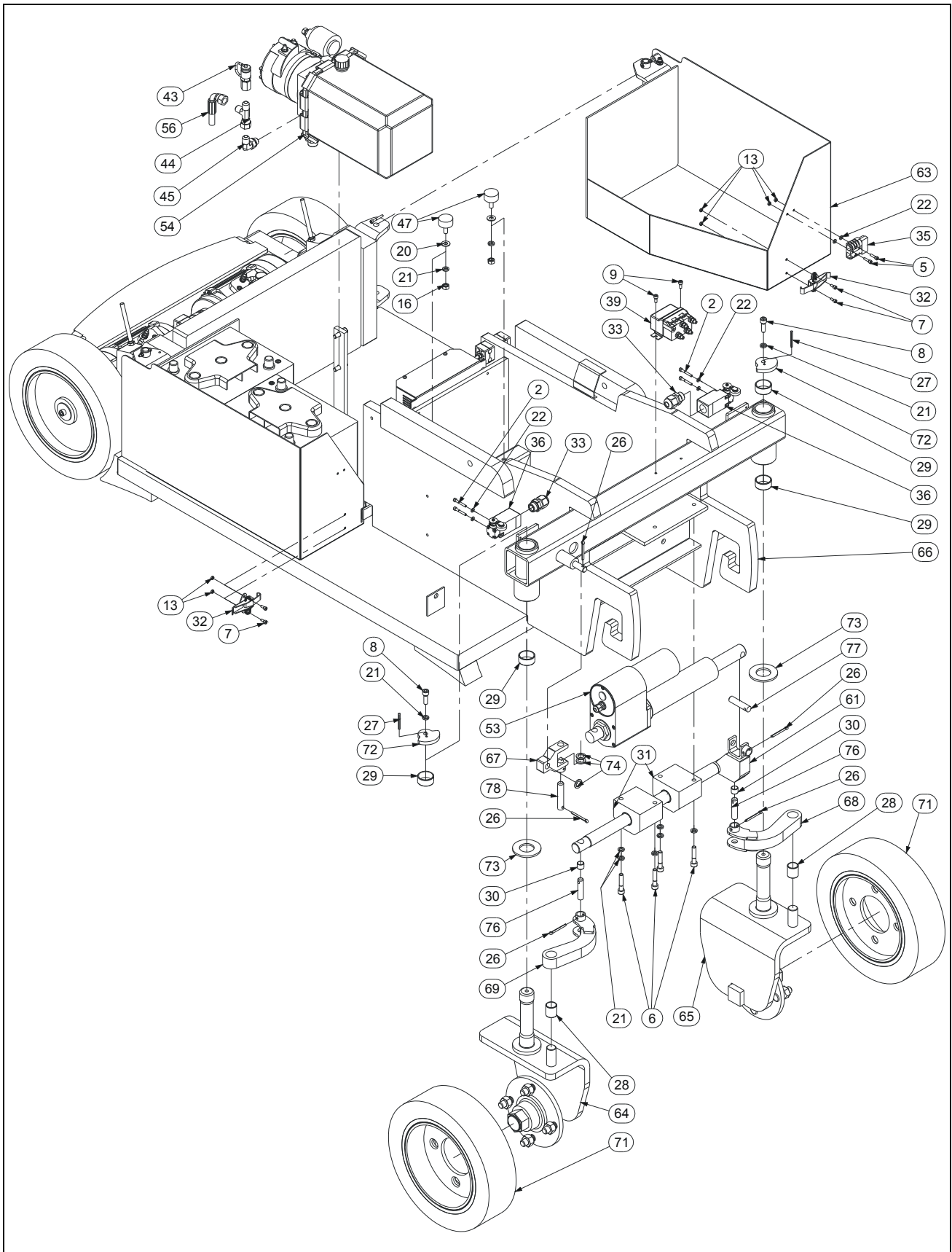
SECTION 3 MAST ON FRAME INSTALL / INSTALLATION MATS SUR CHASSIS

FIGURE 3-1. MAST ON FRAME INSTALL / INSTALLATION MATS SUR CHASSIS

DET REP	PARTNUMBER REF.	QTY	DESCRIPTION		REV	INFORMATION
			MASTS ON FRAME INSTALL	INSTALLATION MATS SUR CHASSIS	A	SP0390
1	000053	4	M08x25 8.8 SOCKET HEAD MACH SCREW	VIS CHC M08x25 8.8 BI FT	A	
2	100076	2	M12x60 8.8 HEX HEAD CAPSCREW	VIS H M12x60 8.8 BI FP	A	
3	000019	6	M10x35 8.8 SOCKET HEAD MACH SCREW	VIS CHC M10x35 8.8 BI FT		
4	000043	4	M08x40 8.8 SOCKET HEAD MACH SCREW	VIS CHC M08x40 8.8 BI FT		
5	110004	4	M08 GR. 8.8 LOCK NUT	ECROU FREIN M8 8.8 BI		
6	110014	2	M12 GR. 8.8 LOCK NUT	ECROU FREIN M12 8.8 BI		
7	US0506	4	M08 SLIDING BLOCK NUT	ECROU COULISSEAU M08	A	
8	120011	6	dD 10x22 LOCK WASHER	RONDELLE CONTACT dD 10x22 BI		
9	120015	2	dD 12x27 LOCK WASHER	RONDELLE CONTACT dD 12x27 BI		
10	120021	4	HELICAL SPRING LOCK WASHER Ø8	RONDELLE GROWER Ø8 BI		
11	ST1636	2	STRUT	HAUBAN		
12	ST1670	1	MAST HOUSING	CAISSON DE MAT		
13	US0300	2	SHROUD SPACER	ENTRETOISE HAUBAN		

SECTION 4 FRAME INSTALL / INSTALLATION CHASSIS

FIGURE 4-2. FROM/DE JUNIOR 6B #16478 TO/A 16504 (+16507) & JUNIOR 8B #19198
TO/A 19209 FRAME INSTALL / INSTALLATION CHASSIS



**SECTION 4 FRAME INSTALL /
INSTALLATION CHASSIS**

**FIGURE 4-3. FROM/DE JUNIOR 6B #16505 TO/A 16620 & JUNIOR 8B #19210 TO/A 19282 FRAME
INSTALL / INSTALLATION CHASSIS (CONTINUED)**

DET REP	PART_NUMBER REF.	QTY	DESCRIPTION		REV	INFORMATION

CLICK HERE TO **DOWNLOAD** THE COMPLETE MANUAL

- Thank you very much for reading the preview of the manual.
- You can download the complete manual from: www.heydownloads.com by clicking the link below



- Please note: If there is no response to CLICKING the link, please download this PDF first and then click on it.

CLICK HERE TO **DOWNLOAD** THE COMPLETE MANUAL

SECTION 4 FRAME INSTALL / INSTALLATION CHASSIS

FIGURE 4-4-2. COMPLETE POWER UNIT 1.25CC / CENTRALE COMPLETE 1.25CM³

DET REP	PARTNUMBER REF.	QTY	DESCRIPTION		REV	INFORMATION
	520099		COMPLETE POWER UNIT 1.25cc	CENTRALE COMPLETE 1.25cm³		520099
1	190036	1	CLAMP	COLLIER		
2	970033	1	BREATHER CAP	RENIFLARD		
3	970037	1	RELAY 24V WITH CLAMP	RELAIS 24V AVEC COLLIER		
4	970041	1	OIL TANK KIT WITH BREATHER CAP	KIT RESERVOIR ET RENIFLARD		
5	970044	1	COUPLING	ACCOUPEMENT		
6	970055	1	EQUIPPED FLANGE	COLLERETTE EQUIPEE		
7	970058	1	MOTOR 1KW-24V	MOTEUR 1KW-24V		
8	970059	1	CHECK VALVE	CLAPET ANTI RETOUR		
9	970060	1	ELECTRO POPPET VALVE 24V	ELECTROVALVE A CLAPET 24V		
10	970061	1	ELECTRO POPPET VALVE COIL	BOBINE ELECTROVALVE A CLAPET		
11	970062	1	PRESSURE RELIEF VALVE	LIMITEUR DE PRESSION		
12	970063	1	NOZZLE FILTER	BUSE FILTRE		
13	970064	1	EQUIPPED SUPPORT/PUMP	SUPPORT/POMPE EQUIPEE		

SECTION 5 MASTS INSTALL / INSTALLATION MATS

FIGURE 5-1-1-1. MAST CYLINDER / VERIN DE MAT

DET REP	PART NUMBER REF.	QTY	DESCRIPTION		REV	INFORMATION
	ST2055		MAST CYLINDER	VERIN DE MAT	A	ST2055
1	300034	1	CAP MALE BSPP 1/4"	BOUCHON MALE BSPP 1/4"		
2	900017	1	CYLINDER SEAL KIT	POCHETTE DE JOINT VERIN		
3			NOT REQUIRED	NON REQUIS		
4	960069	1	HOLDING VALVE SEAL KIT	POCHETTE DE JOINT ELECTROVANNE		
5	960070	1	PRESSURE RELIEF VALVE SEAL KIT	POCHETTE DE JOINT REG. DE PRESSION		
6	970001	1	PRESSURE RELIEF VALVE (18 MPa)	REGULATEUR DE PRESSION 18MPa		
7	310102	1	FLOW REGULATOR VALVE 5l/mn	REGULATEUR DE DEBIT 5l/mn	A	
8	970038	1	HOLDING VALVE	ELECTROVANNE		
9	970045	1	CYLINDER BARREL	CORPS VERIN		
10	970046	1	CYLINDER ROD	TIGE VERIN		
11	970019	1	CYLINDER HEAD	TETE VERIN		
12	970052	1	BUSHING BS	BAGUE BS		
13	970051	1	BLEEDING SCREW	VIS DE PURGE		
14	970022	1	O RING	JOINT TORIQUE		
15	970047	1	24 VDC COIL	BOBINE 24 VDC		
16	970030	1	STOP RING	JONC		
17	970056	1	BLEEDING BALL	BILLE DE PURGE	A	
18	130050	1	M06x8 HC SCREW	VIS HC M06x8 BR	A	

SECTION 5 MASTS INSTALL / INSTALLATION MATS

FIGURE 5-1-6. MAST 6 ASSEMBLY / ASSEMBLAGE MAT 6

DET REP	PART NUMBER REF.	QTY	DESCRIPTION		REV	INFORMATION
			MAST (4/TJ6 or 6/TJ8) ASSEMBLY	ASSEMBLAGE MAT (4/TJ6 ou 6/TJ8)	A	SP0894
1	000007	2	M04x30 8.8 SOCKET HEAD CAPSCREW	VIS CHC M04x30 8.8 BI FP		
2	000058	4	M08x20 8.8 S SOCK. HEAD MACH SCREW	VIS CHC M08x20 8.8 BI FT TETE BASSE		
3	000059	1	M08x12 8.8 S SOCK HEAD MACH SCREW	VIS CHC M08x12 8.8 BI FT TETE BASSE		
4	110003	2	M06 GR. 8.8 LOCK NUT	ECROU FREIN M6 8.8 BI		
5	110030	1	M08 RECTANGULAR BASE NUT	ECROU A EMBASE RECTANGULAIRE M08		
6	120014	4	M08 WASHER	RONDELLE M08 BI		
7	120021	1	HELICAL SPRING LOCK WASHER Ø8	RONDELLE GROWER Ø8 BI		
8	120024	2	M04 LOCK WASHER	RONDELLE CONTACT M04 BI		
9	130021	2	M06x20 8.8 ROUND HEAD MACH SCREW	VIS BOMBEE ULF M06x20 8.8 BI FT		
10	130030	2	M010x25 10.9 COUNTERSUNK HEAD M. S.	VIS FHC M10x25 10.9 BI FT		
11	130032	2	M010x60 10.9 COUNTERSUNK HEAD M. S.	VIS FHC M10x60 10.9 BI FT		
12		1	NOT REQUIRED	NON REQUIS	A	
13		1	NOT REQUIRED	NON REQUIS	A	
14		1	NOT REQUIRED	NON REQUIS	A	
15	ST1109	2	SHIM (4 sizes : see Service Manual)	CALE (4 épaisseurs: voir Manuel de Service)		
16	ST1119	1	STEEL WIRE BRACKET	EQUERRE CABLE		
17	ST1125	1	SPREADER BRACKET	EQUERRE PALONNIER		
18	ST1633	1	MAST 4	MAT 4		
19	ST2521	1	SWITCH HOLDER	SUPPORT CAPTEUR		
20	US0296	1	SAFETY SPACER	ENTRETOISE DE SECURITE		
21	US0297	1	SAFETY BLOCK	SECURITE PALONNIER		
22	US0321	2	SLIDE BLOCK (4 sizes: see Service Manual)	PATIN (4 épaisseurs: voir Manuel de Service)		

SECTION 5 MASTS INSTALL / INSTALLATION MATS

FIGURE 5-2-2. MAST 2 ASSEMBLY / ASSEMBLAGE MAT 2

DET REP	PART NUMBER REF.	QTY	DESCRIPTION		REV	INFORMATION
			MAST 2 ASSEMBLY	ASSEMBLAGE MAT 2	B	SP0386
1	000006	1	M08x20 8.8 SOCKET HEAD MACH SCREW	VIS CHC M08x20 8.8 BI FT		
2	000035	2	M10x50 12.9 SOCKET HEAD CAPSCREW	VIS CHC M10x50 12.9 BR FT		
3	000058	4	M08x20 8.8 S SOCK. HEAD MACH SCREW	VIS CHC M08x20 8.8 BI FT TETE BASSE		
4	000059	2	M08x12 8.8 S SOCK HEAD MACH SCREW	VIS CHC M08x12 8.8 BI FT TETE BASSE		
5	110004	2	M08 GR. 8.8 LOCK NUT	ECROU FREIN M8 8.8 BI		
6	110030	3	M08 RECTANGULAR BASE NUT	ECROU A EMBASE RECTANGULAIRE M08		
7	120011	1	dD 10x22 LOCK WASHER	RONDELLE CONTACT dD 10x22 BI		
8	120014	6	M08 WASHER	RONDELLE M08 BI		
9	120021	2	HELICAL SPRING LOCK WASHER Ø8	RONDELLE GROWER Ø8 BI		
10	130025	4	M08x25 10.9 COUNTERSUNK HEAD M. S.	VIS FHC M08x25 10.9 BI FT		
11	130031	2	M08x80 10.9 COUNTERSUNK HEAD CAPS.	VIS FHC M08x80 10.9 BI FP		
12			NOT REQUIRED	NON REQUIS	B	
13	150028	1	BACKUP PULLEY	POULIE DE RAPPEL		
14	ST1109	4	SHIM (4 sizes : see Service Manual)	CALE (4 épaisseurs: voir Manuel de Service)		
15	ST1111	1	CYLINDER BASE PLATE	BUTEE DE VERIN		
16	ST1118	1	BACKUP PULLEY SUPPORT	SUPPORT POULIE DE RAPPEL		
17	ST1119	1	STEEL WIRE BRACKET	EQUERRE CABLE		
18	US0279	2	PULLEY SUPPORT A	SUPPORT POULIE A		
19	US0286	1	PULLEY PIN	AXE DE POULIE		
20	SE0305	2	ASSEMBLY,PULLEY Ø80x24	ASSEMBLAGE POULIE Ø80x24	B	
21	US0321	4	SLIDE BLOCK (4 sizes: see Service Manual)	PATIN (4 épaisseurs: voir Manuel de Service)		
22	ST1629	1	MAST 2	MAT 2		

SECTION 6 PLATFORM INSTALL / INSTALLATION PLATE-FORME

FIGURE 6-1-1. PLATFORM ASSEMBLY / ASSEMBLAGE PLATE-FORME

DET REP	PART NUMBER REF.	QTY	DESCRIPTION		REV	INFORMATION
			PLATFORM ASSEMBLY	ASSEMBLAGE PLATE-FORME	B	SP0897
1	000050	4	M04x10 8.8 SOCKET HEAD MACH SCREW	VIS CHC M04x10 8.8 BI FT		
2	000053	2	M08x25 8.8 SOCKET HEAD MACH SCREW	VIS CHC M08x25 8.8 BI FT		
3	000067	5	M05x12 8.8 SOCKET HEAD MACH SCREW	VIS CHC M05x12 8.8 BI FT		
4	000085	4	M04x16 8.8 SOCKET HEAD MACH SCREW	VIS CHC M04x16 8.8 BI FT		
5	000089	7	M05x08 8.8 SOCKET HEAD MACH SCREW	VIS CHC M05x08 8.8 BI FT		
6	100007	8	M08x50 8.8 HEX HEAD CAPSCREW	VIS H M08x50 8.8 BI FP		
7	110001	4	M04 GR. 8.8 LOCK NUT	ECROU FREIN M4 8.8 BI		
8	110004	10	M08 GR. 8.8 LOCK NUT	ECROU FREIN M8 8.8 BI		
9	120002	2	M05 WASHER	RONDELLE M05 BI		
10	120014	4	M08 WASHER	RONDELLE M08 BI		
11	130030	1	M010x25 10.9 COUNTERSUNK HEAD M. S.	VIS FHC M10x25 10.9 BI FT		
12	130053	1	M08x16 8.8 COUNTERSUNK HEAD M. S.	VIS FHC M08x16 8.8 BI FT		
13	240086	1	STEERING HANDLE	POIGNEE DE DIRECTION		
14	240091	1	CONTROL HANDLE	POIGNEE DE COMMANDE		
14	920075	1	GREEN HANDLE	PAPILLON VERT	B	
15	280023	2x0.18	PROTECTION SLEEVE (quantity in meter)	GAINÉ DE PROTECTION (qté en mètre)		
16	400089	1	PLASTIC HANDLE	POIGNEE PLASTIQUE		
17	DL0746	1	TJ6 PLATFORM WELDMENT	STRUCTURE PANIER TJ6	B	
17	DL0746	1	TJ8 BEFORE #A130019338 (before year 2010) PLATFORM WELDMENT	STRUCTURE PANIER TJ8 AVANT #A130019338 (avant année 2010)	B	
17	DL0841	1	TJ8 SINCE #A130019338 (since year 2010) PLATFORM WELDMENT	STRUCTURE PANIER TJ8 DEPUIS #A130019338 (depuis année 2010)	B	
18	DL0747	1	CONNECTORS COVER	CAPOTS CONNECTEURS		
19	DL0754	1	DRIVE HANDLE COVER	CAPOT POIGNEE TRANSLATION		
20	ST0736	2	SLIDING GATE LOOP	ANNEAU PORTILLON		
21	ST1637	1	PLATFORM SLIDING GATE	PORTILLON		
22	ST2917	1	TJ6 PLATFORM FLOOR	PLANCHER PLATE-FORME TJ6	B	
22	ST2917	1	TJ8 BEFORE #A130019338 (before year 2010) PLATFORM FLOOR	PLANCHER PLATE-FORME TJ8 AVANT #A130019338 (avant année 2010)	B	
22	ST3249	1	TJ8 SINCE #A130019338 (since year 2010) PLATFORM FLOOR	PLANCHER PLATE-FORME TJ8 DEPUIS #A130019338 (depuis année 2010)	B	
23	ST2919	1	CABLES COVER	CAPOT CABLES		
24	ST2955	1	PLATFORM FLOOR COVER	CAPOT PLANCHER PLATE-FORME		
25	SE0697	1	JUNIOR B - UPPER CONTROL BOX ASSY	ASSEMBLAGE BOITIER HAUT JUNIOR B	A	SE0697
26	SE0696	1	JUNIOR B - BOARD BOX ASSEMBLY	ASSEMBLAGE BOITIER CARTE JUNIOR B	A	SE0696

SECTION 7 DECALS INSTALL / INSTALLATION AUTOCOLLANTS

**FIGURE 7-2. S/N SINCE/DEPUIS #A130016508 + (A130016505 & A130016506) JUNIOR 6B STD DECAL
KIT / JEU AUTOCOLLANTS STD JUNIOR 6B**

DET REP	PARTNUMBER REF.	QTY	DESCRIPTION		REV	INFORMATION
	PA1004		S/N SINCE #A130016508 + (#16505 & #16506) JUNIOR 6B CE DECALS INSTALL	DEPUIS #A130016508 + (#16505 & #16506)-AUTOCOLLANTS JUNIOR 6B CE	D	PA1004
1	1703177	3	AU JLG	JLG AUTOCOLLANT		
2	1703814	2	DECAL,TIE DOWN	AUTOCOLLANT, ARRIMAGE	C	
3	1704885	2	WWW.JLG.COM DECAL	AUTOCOLLANT WWW.JLG.COM	B	
4	1706493	1	DROP BAR DECAL	AU RISQUE DE CHUTE SOUS-LISSE		
5	AU0050	4	DECAL, FORK POSITION	AU REP PRISE FOURCHE		
6	AU0149	2	DECAL REP DRIVE DIRECTION	AU REP SENS MARCHE		
7	AU0258	2	DECAL KARCHER	AU KARCHER		
8	AU0575	1	DECAL RESERVOIR PM	AU RESERVOIR PM PUSH		
9	AU0769	1	DECAL DOCUMENT BOX	AU PORTE-DOCUMENTS		
10	AU0871	2	WEAR BODY HARNESS	HARNAIS DE SECURITE	B	
11	AU0918	2	DECAL, CRUSHING HAZARD TJ6 CE	AU RISQUE ECRASEMENTS TJ6 CE		
12	AU0934	1	DECAL, DANGER TJ6 CE	AU DANGER TJ6 CE		
13	AU0936	1	DECAL, FORK INSERT TJ6	AU INSERTIONS FOURCHES TJ6		
14	AU0947	1	DECAL, MANUAL VALVE TJ6 CE	AU VANNE MANUELLE TJ6 CE		
15	AU1748	1	DRIVE DECAL	AU TRANSLATION		
16	AU1807	2	JUNIOR6 JLG DESIGN	JUNIOR6 CHARTE JLG		
17	AU1828	1	TOUCAN FRONT BASKET DUO & JUNIOR	LOGO TOUCAN AV PANIER DUO & JUNIOR		
18	AU1990	1	TRANSPORT INSTRUCTIONS	INSTRUCTIONS DE TRANSPORT	C	
20	AU2061	1	ADHESIVE ANTI-SKID BAND (150x482)	BANDE ADHESIVE ANTIDERAPANTE (150x482)	C	
21	AU2062	3	ADHESIVE ANTI-SKID BAND (150x600)	BANDE ADHESIVE ANTIDERAPANTE (150x600)	B	
22	AU2111	1	DECAL,STEERING CONTROL	AUTOCOLLANT COMMANDE DIRECTION	D	

SECTION 7 DECALS INSTALL / INSTALLATION AUTOCOLLANTS

**FIGURE 7-6. S/N FROM/DE #A130019210 TO/A #A130019337 JUNIOR 8B STD DECAL KIT / JEU
AUTOCOLLANTS STD JUNIOR 8B**

DET REP	PARTNUMBER REF.	QTY	DESCRIPTION		REV	INFORMATION
	PA1010		S/N FROM#A130019210 TO #130019337 JUNIOR 8B CE DECALS INSTALL	DE #A130019210 A #A130019337- AUTOCOLLANTS JUNIOR 8B CE	D	PA1010
1	1703177	3	AU JLG	JLG AUTOCOLLANT		
2	1703814	2	DECAL,TIE DOWN	AUTOCOLLANT, ARRIMAGE	C	
3	1704885	2	WWW.JLG.COM DECAL	AUTOCOLLANT WWW.JLG.COM	B	
4	1706493	1	DROP BAR DECAL	AU RISQUE DE CHUTE SOUS-LISSE		
5	AU0050	4	DECAL, FORK POSITION	AU REP PRISE FOURCHE		
6	AU0149	2	DECAL REP DRIVE DIRECTION	AU REP SENS MARCHE		
7	AU0258	2	DECAL KARCHER	AU KARCHER		
8	AU0575	1	DECAL RESERVOIR PM	AU RESERVOIR PM PUSH		
9	AU0769	1	DECAL DOCUMENT BOX	AU PORTE-DOCUMENTS		
10	AU0871	2	WEAR BODY HARNESS	HARNAIS DE SECURITE	B	
11	AU0918	2	DECAL, CRUSHING HAZARD TJ6 CE	AU RISQUE ECRASEMENTS TJ6 CE		
12	AU0934	1	DECAL, DANGER TJ6 CE	AU DANGER TJ6 CE		
13	AU0936	1	DECAL, FORK INSERT TJ6	AU INSERTIONS FOURCHES TJ6		
14	AU0947	1	DECAL, MANUAL VALVE TJ6 CE	AU VANNE MANUELLE TJ6 CE		
15	AU1748	1	DRIVE DECAL	AU TRANSLATION		
16	AU1828	1	TOUCAN FRONT BASKET DUO & JUNIOR	LOGO TOUCAN AV PANIER DUO & JUNIOR		
17	AU1831	2	JUNIOR8 JLG DESIGN	JUNIOR8 CHARTE JLG		
18	AU1990	1	TRANSPORT INSTRUCTIONS	INSTRUCTIONS DE TRANSPORT	C	
20	AU2061	1	ADHESIVE ANTI-SKID BAND (150x482)	BANDE ADHESIVE ANTIDERAPANTE (150x482)	C	
21	AU2062	3	ADHESIVE ANTI-SKID BAND (150x600)	BANDE ADHESIVE ANTIDERAPANTE (150x600)	B	
22	AU2111	1	DECAL,STEERING CONTROL	AUTOCOLLANT COMMANDE DIRECTION	D	

FIGURE 8-2. S/N PRIOR/AVANT JUNIOR6 #A130016508 & JUNIOR8 #A130019210 230VAC PLATFORM SOCKET INSTALL/INSTALLATION PRISE PLATE-FORME 230VAC

DET REP	PARTNUMBER REF.	QTY	DESCRIPTION		REV	INFORMATION
	OP395		S/N PRIOR JUNIOR6 A130016508 & JUNIOR8 A130019210 230VAC FRENCH PLATFORM SOCKET INSTALL	AVANT JUNIOR6 A130016508 & JUNIOR8 A130019210-INSTALLATION PRISE FRANCE PANIER 230VAC		OP395
	OP416		S/N PRIOR JUNIOR6 A130016508 & JUNIOR8 A130019210 230VAC GERMAN PLATFORM SOCKET INSTALL	AVANT JUNIOR6 A130016508 & JUNIOR8 A130019210-INSTALLATION PRISE ALLEMAGNE PANIER 230VAC		OP416
1	000067	2	M05x12 8.8 SOCKET HEAD MACH SCREW	VIS CHC M05x12 8.8 BI FT		
2	000015	2	M06x16 8.8 SOCKET HEAD MACH SCREW	VIS CHC M06x16 8.8 BI FT		
3	000085	2	M04x16 8.8 SOCKET HEAD MACH SCREW	VIS CHC M04x16 8.8 BI FT		
4	120024	2	M04 LOCK WASHER	RONDELLE CONTACT M04 BI		
5	210021	3	GLAND N°16	PRESSE ETOUPE N°16		
6	210012	2	GLAND N°16 NUT	ECROU DE PRESSE ETOUPE N°16		
7	240015	1	CUTOUT 30 mA	DISJONCTEUR DIFFERENTIEL 30 mA		
8	240093	1	CUTOUT BOX	BOITIER DISJONCTEUR		
9			NOT REQUIRED	NON REQUIS		
10	250064	3	SPLICE TERMINAL 0.25-1	EPISSURE DE CABLE 0.25-1		
11			NOT REQUIRED	NON REQUIS		
12	250089	1	M04 EYELET TERMINAL 1-2.5mm ²	COSSE A CEIL ISOLEE M4 - 1-2.5mm ²		
13	250135	1	TERMINAL BLOCK VICKING	BLOC DE JONCTION VICKING		
14	260029	1	FRENCH 230 VAC SOCKET 2P+T	PRISE FEM. FRANCAISE 230VAC 2P+T		
14	260187	1	GERMAN 230 VAC SOCKET 2P+T	PRISE FEM. ALLEMANDE 230VAC 2P+T		
15	260032	1	230 VAC SURFACE PLUG	PRISE MALE FIXE 230VAC		
16	260033	1	230 VAC FREE SOCKET	PRISE FEMELLE LIBRE 230VAC		
17	270060	2	CABLE 3G1.5mm ² Color leads (qty in meters)	CABLE 3G1.5mm ² coloré (qté en mètre)		
18	270060	0.55	CABLE 3G1.5mm ² Color leads (qty in meters)	CABLE 3G1.5mm ² coloré (qté en mètre)		
19	270060	7.2	CABLE 3G1.5mm ² Color leads (qty in meters)	CABLE 3G1.5mm ² coloré (qté en mètre)		JUNIOR 6
19	270060	11.1	CABLE 3G1.5mm ² Color leads (qty in meters)	CABLE 3G1.5mm ² coloré (qté en mètre)		JUNIOR 8
20	280021	0.15	Black Heat Shrink Sleeve 12.7(qty in meter)	GAINE THERMO 12.7 Noire (qté en mètre)		
21	AU1163	2	230 VAC DECAL	AUTOCOLLANT 230VAC		
22	AU1716	1	PLATFORM SOCKET DECAL	AUTOCOLLANT PRISE PANIER		

CLICK HERE TO **DOWNLOAD** THE COMPLETE MANUAL

- Thank you very much for reading the preview of the manual.
- You can download the complete manual from: www.heydownloads.com by clicking the link below



- Please note: If there is no response to CLICKING the link, please download this PDF first and then click on it.

CLICK HERE TO **DOWNLOAD** THE COMPLETE MANUAL