



[DealerNation@aol.com](mailto:DealerNation@aol.com)

CLICK HERE TO **DOWNLOAD** THE COMPLETE MANUAL

- Thank you very much for reading the preview of the manual.
- You can download the complete manual from: [www.heydownloads.com](http://www.heydownloads.com) by clicking the link below



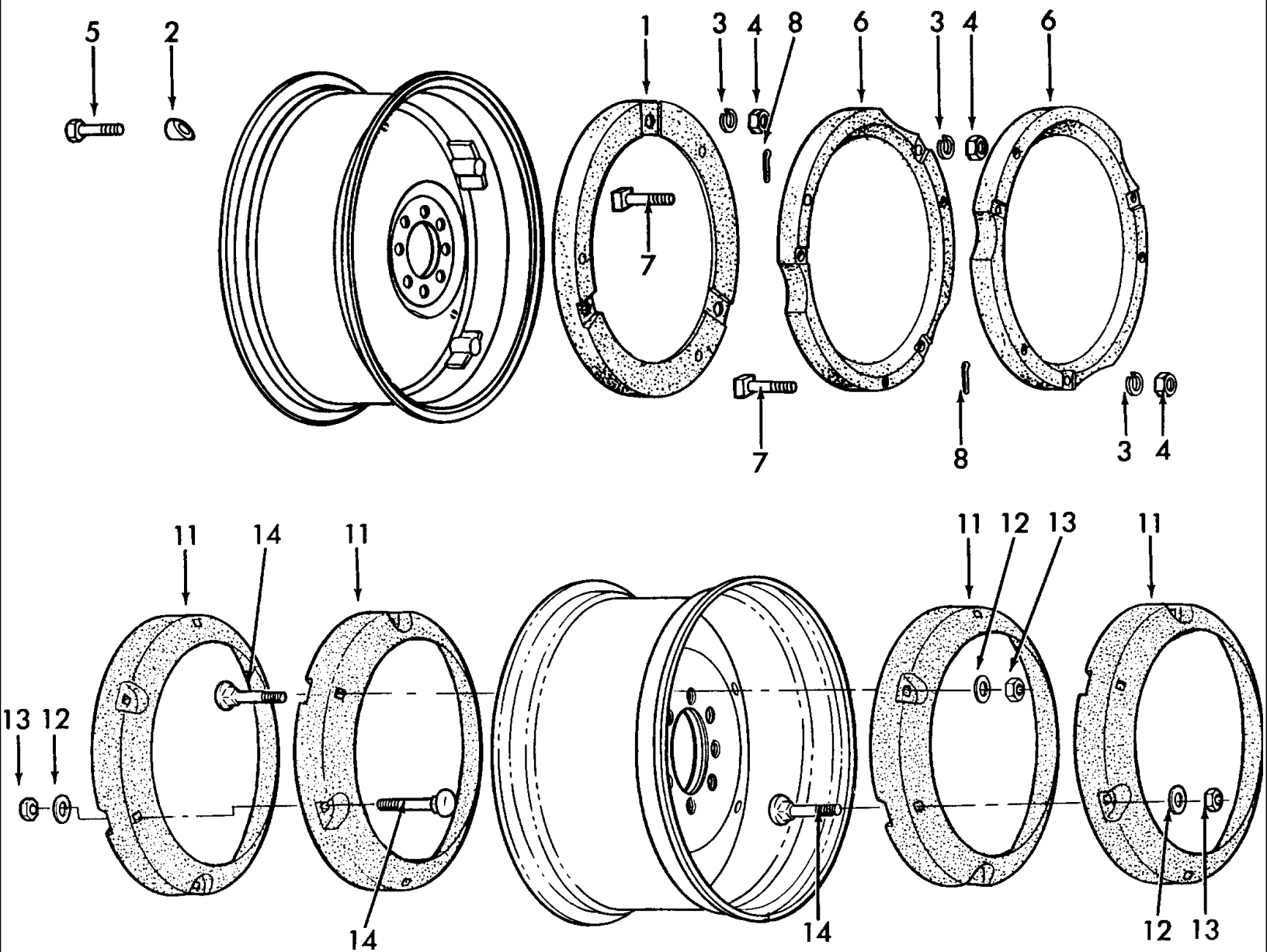
- Please note: If there is no response to CLICKING the link, please download this PDF first and then click on it.

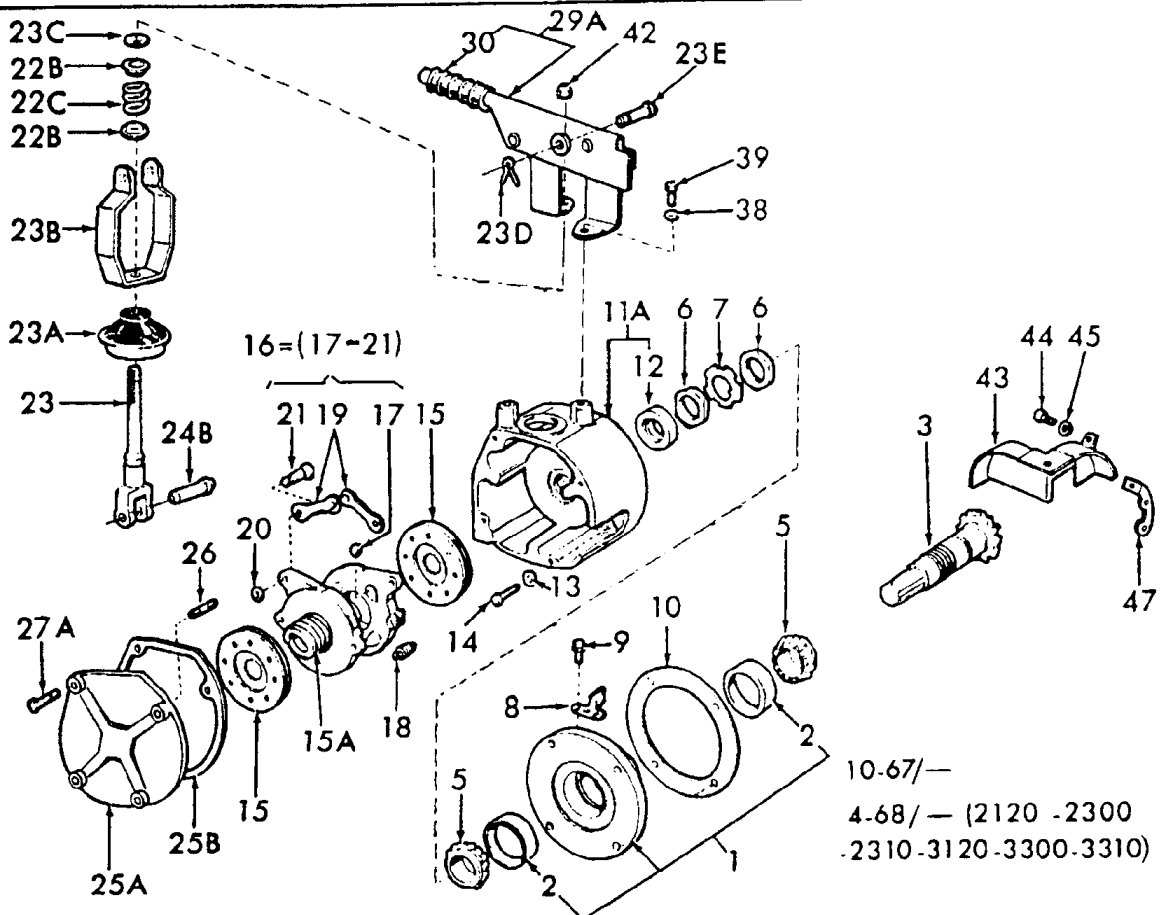
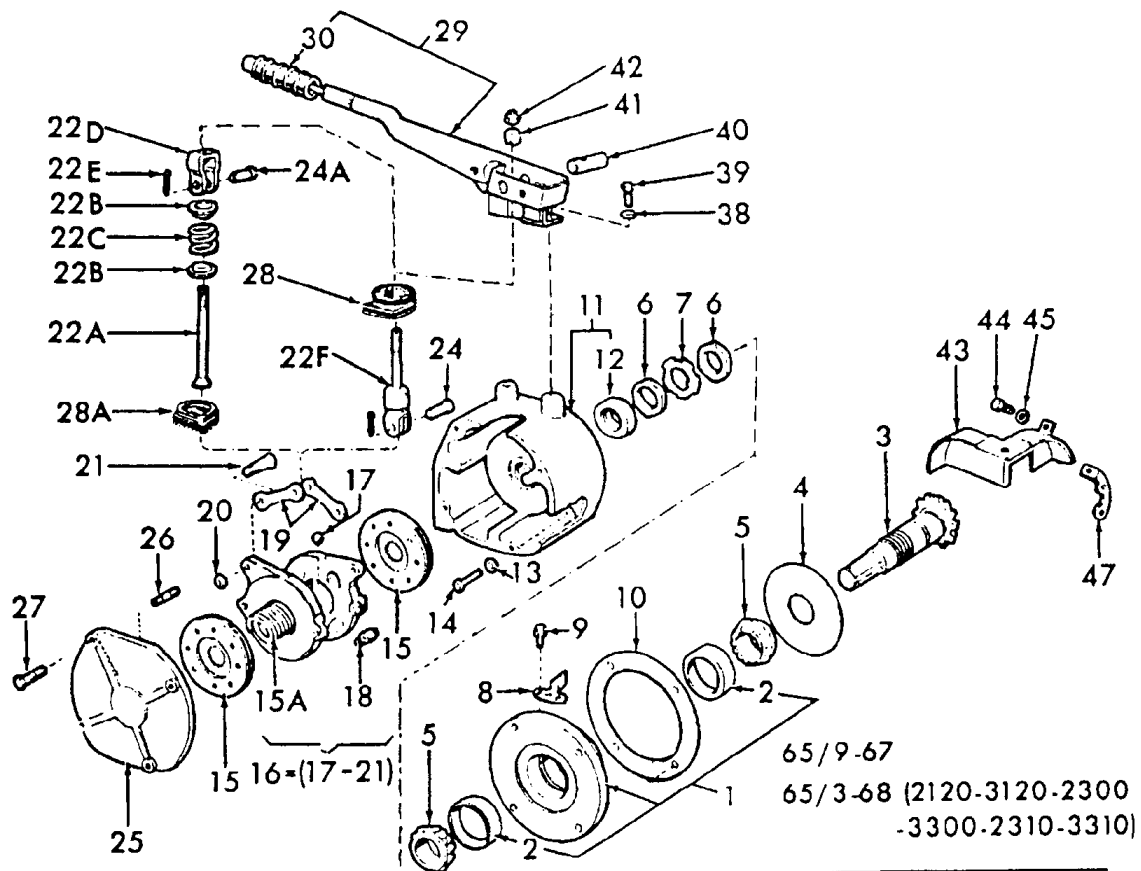
CLICK HERE TO **DOWNLOAD** THE COMPLETE MANUAL

3400 3 CYL UTILITY TRACTOR (1/65-9/75)

01B01 STANDARD REAR WHEELS - 2000, 4100 & 3000 EXCEPT 3550

Ref	Part Number	Qty	Description
12	C7NN1053A	8	Bolt, Sq Hd, 3/4"-10 x 2-1/4", 4140, Used on Rear Axle Shaft Extension - 4100, 4200, 5100, 7100 (Accessory - U.S.), Start Year: 01/01/1970

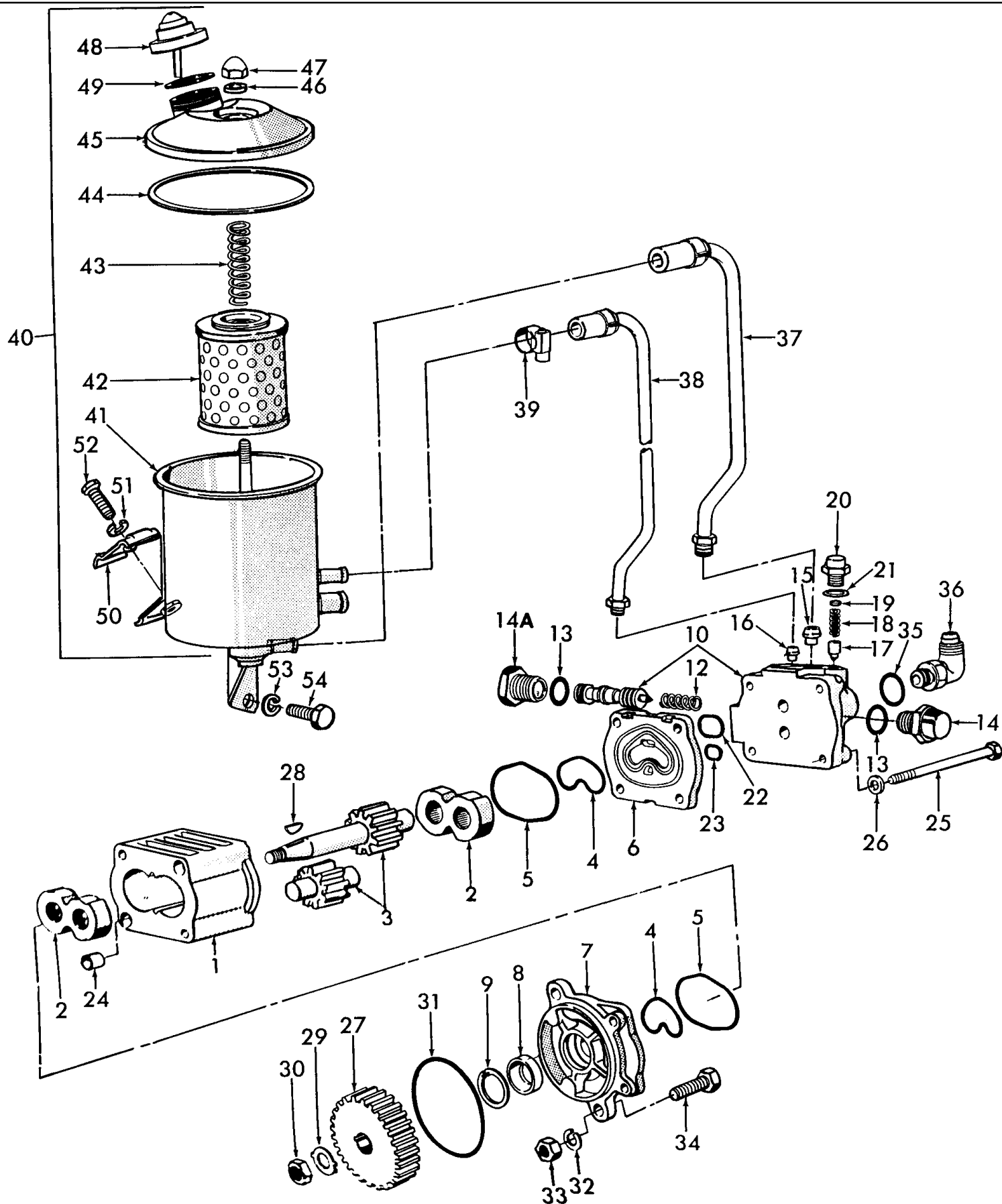




3400 3 CYL UTILITY TRACTOR (1/65-9/75)

02C01 POWER TRAILER BRAKE KIT (NH-E)

Ref	Part Number	Qty	Description
88		1	Rod, Control, L.H., 4100, NH-E Only, No Longer Serviced, Start Year: 01/01/1970
88		1	Rod, Control, L.H., 5100, NH-E Only, No Longer Serviced, Start Year: 01/01/1970
88	C5NN2N468B	2	Washer, Control Rod, .575" (14.605mm) I.D., 4100, Start Year: 01/01/1970
88	C5NN2N467B	2	Fastener, Control Rod, 4100, Start Year: 01/01/1970



## 3400 3 CYL UTILITY TRACTOR (1/65-9/75)

## 03E01 FRONT AXLE, MANUAL STEERING &amp; RELATED PARTS - 3400

Ref	Part Number	Qty	Description
1	REFERENCE	1	Gear Assy., See Steering Gear Section for Components, Start Year: 01/01/1965
2	C5NN3307H	1	End Assy., Drag Link Rear, R.H., No Longer Serviced (NH-E), Start Year: 01/01/1965
3	C5NN3308F	1	End Assy., Drag Link Rear, L.H., No Longer Serviced (NH-E), Start Year: 01/01/1965
4	C5NN3A300C	2	End Assy., Drag Link Front, No Longer Serviced (NH-E), Start Year: 01/01/1965
5	C0NN3A301A	4	Cover, Dust, NHNA Only, No Longer Serviced, Start Year: 01/01/1965
6	C0NN3349B	2	Tube, Link Connecting, Start Year: 01/01/1965
7	C0NN3287A	4	Clamp, Drag Link Tube, Start Year: 01/01/1965
8	80679	AR	Washer, Lock, 1/2"
9	280431	AR	Nut, G5, 1/2"-13
10	87975	4	Screw, Cap, HH, G5, 1/2"-13 x 2-1/4", Start Year: 01/01/1965
11	83417169	2	Nut, Lock, G2, 1/2"-20, Start Year: 01/01/1965
12	380038S36	2	Nut, Hex, 5/8"-18, Start Year: 01/01/1965
13	82847511	1	Rod Assy., Radius, RH, Start Year: 01/01/1965
14	C5NN3A292B	1	Rod Assy., Radius, L.H., No Longer Serviced, Start Year: 01/01/1965
15	34677S34	AR	Nut, Hex, 7/8"-14, NHNA Only, No Longer Serviced
16	372135S36	2	Bolt, HH, 7/8"-14 x 5.88, Start Year: 01/01/1965
17	E0NN3N442BA	2	Spacer, Radius Rod Ball, Start Year: 01/01/1965
18	E0NN3N406BA	2	Cap, Radius Rod Ball, Replaces P/N 313319, Start Year: 01/01/1965
19	81547	6	Washer, Lock, 7/16", Start Year: 01/01/1965
20	380133S36	6	Nut, Hex, 7/16"-20, Start Year: 01/01/1965
21	380313S36	2	Stud, Screw, 7/16"-14-20 x 1-3/4", Start Year: 01/01/1965
22	380314S36	4	Stud, Screw, 7/16"-14-20 x 3-3/8", Spacer & Cap to Transmission Case, Start Year: 01/01/1965
23	C5NN3A041D	1	Axle Assy., Front, Includes: Axle & Ref. 24 & 25, No Longer Serviced, Start Year: 01/01/1965
24	C0NN3109A	2	Bushing, Spindle, Upper, Start Year: 01/01/1965
25	C0NN3110A	2	Bushing, Spindle, Lower, Start Year: 01/01/1965
26	C5NN3105F	1	Spindle Assy., R.H., Start Year: 01/01/1965
27	C5NN3106E	1	Spindle Assy., L.H., No Longer Serviced (NH-E), Start Year: 01/01/1965
28	80710	2	Fitting, Nipple, Lube, 1/8"-27, Spindle, Start Year: 01/01/1965
29	C0NN3A367A	2	Spacer, Spindle Thrust, Start Year: 01/01/1965
30	C0NN3A299A	2	Bearing Assy., Spindle Thrust, Start Year: 01/01/1965
31	C0NN3A208A	2	Seal, Steering Arm, Start Year: 01/01/1965
32	C0NN3130D	2	Arm, Steering Spindle, Start Year: 01/01/1965
33	280262	2	Key, Woodruff # A, Hardened, 1/4" x 7/8", Start Year: 01/01/1965
34	304863S36	2	Screw, Cap, HH, G5, 7/16"-20 x 2-1/4", Start Year: 01/01/1965
35	D5NN3A042B	1	Support, Front Axle, Replaces P/N D0NN-3A042-A, No Longer Serviced, Start Year: 01/01/1965
36	34675S8	6	Nut, Hex, 3/4"-16, No Longer Serviced (NHNA), Years: 01/01/1965-12/31/1970
36	280954	4	Nut, G5, 3/4"-10, Start Year: 01/01/1971
37	88747	4	Screw, Cap, HH, G5, 3/4"-16 x 3-1/4", No Longer Serviced (NH-E), Years: 01/01/1965-12/31/1970
37	86507002	4	Screw, Cap, HH, G5, 3/4"-10 x 5-1/2", Start Year: 01/01/1971
38	380126S2	2	Stud, Screw, 3/4"-10-16 x 3.82, No Longer Serviced, Years: 01/01/1965-12/31/1970
38	384590S36	2	Stud, Screw, 3/4"-10-16 x 4.88, No Longer Serviced, Start Year: 01/01/1971

## 3400 3 CYL UTILITY TRACTOR (1/65-9/75)

## 04A01 REAR AXLE, DIFFERENTIAL &amp; RELATED PARTS - 2000, 3000 EXCEPT 3055, 3550 &amp; 4110

Ref	Part Number	Qty	Description
25		1	Gear Set, Matched, 6:166:1, Used w/ 25 KPH, 2000, 3000, U.K.- Antwerp, NH-E Only, No Longer Serviced Start Year: 08/01/1970
25		1	Gear Set, Matched, NH-E Only, No Longer Serviced, Start Year: 01/01/1965
25	D1NN4209A	1	Gear Set, Matched, w/Handbrake, 6.16:1 Ratio L/10 Speed, For identification, parts are stamped with D1NN-4610-B & C5NN-4210-C, 2000, 3000, When replacing C5NN-4209-H (81812370) also use (1) C5NN-4684-A(81803555), Coupling, Start Year: 01/01/1965
25	C5NN4209G	1	Gear Set, Matched, L/Handbrake, 6.16:1 Ratio, L/10 Speed, For identification, parts are stamped with C5NN-4610-J & C5NN-4210-C, 2000, 3000, When Gear Sets C5NN- 4209-G (81803385) & H (81803386) replace C5NN-4209-M & N, Retainer C5NN-4614-G (81815357) must replace C5NN-4614-F(81815356), Years: 01/01/1965-12/31/1973
25	D1NN4209B	1	Gear Set, Matched, L/Handbrake, 6.16:1 Ratio, L/10 Speed, For identification, parts are stamped with D1NN-4610-E & C5NN-4210-C, 2000, 3000, Start Year: 01/01/1974
25	C5NN4209R	1	Gear Set, Matched, L/Handbrake, 6.67:1 Ratio, w/10 Speed, For identification, parts are stamped with C5NN-4610-K & C5NN-4210-D, 2000, 3000, No Longer Serviced
25	C5NN4209AD	1	Gear Set, Matched, L/Handbrake, 5.12:1 Ratio, w/10 Speed, 2000, 3000, No Longer Serviced (NHNA)
25	C5NN4209AE	1	Gear Set, Matched, L/Handbrake, 5.12:1 Ratio, 4 & 8 Speed, 2110, 4110, No Longer Serviced, Years: 01/01/1965-04/30/1970
25	D1NN4209E	1	Gear Set, Matched, L/Handbrake, 5/12:1 Ratio, 8 Speed, For identification, parts are stamped with D1NN-4610-D & C5NN-4210-L, 2110, 4110, No Longer Serviced (NHNA), Start Year: 05/01/1970
25	DEPN4209A	1	Kit, Gear Set, 7.17:1 Ratio, L/10 Speed, U.S., 3500, Includes: Pinion Gear Spacer, When replacing prior Gear Sets also use (1) C5NN-4625-B(81816550), Bearing Assy., NHNA Only, May be replaced by D1NN-4209-C (83948802) & D4NN-4662-A (83901232), Years: 01/01/1965-12/31/1972
	D4NN4662A	1	Spacer, Pinion Gear, L/Handbrake, U.S., 3500, No Longer Serviced (NH-E), Years: 01/01/1965-12/31/1972
	D1NN4209C	1	Spacer, Pinion Gear, w/Handbrake, 7.17:1 Ratio, L/10 Speed, 3500, When replacing prior Gear Sets also use (1) C5NN-4625-B(81816550), Bearing Assy., No Longer Serviced (NH-E), Years: 01/01/1965-12/31/1972
	C5NN4209AK	1	Spacer, Pinion Gear, L/Handbrake, 7.17:1 Ratio, w/10 Speed, 3500, When replacing prior Gear Sets also use (1) C5NN-4625-B(81816550), Bearing Assy., No Longer Serviced (NHNA), Years: 01/01/1965-12/31/1972
26	83957533	12	Bolt, HH, G8, 1/2"-20 x 1-5/8", Gear to Differential Case, Start Year: 01/01/1965
26	83957533	16	Bolt, HH, G8, 1/2"-20 x 1-5/8", Gear to Differential Case, 3500 Case Bolt, 3500, Years: 01/01/1965-12/31/1972
27	83417169	12	Nut, Lock, G2, 1/2"-20, Gear to Differential, Start Year: 01/01/1965
27	83417169	16	Nut, Lock, G2, 1/2"-20, Gear to Differential Case Bolt, 3500, Years: 01/01/1965-12/31/1972
28	81803445	1	Gear, Differential Side, w/Differential Lock, Start Year: 01/01/1965
28	81803445	2	Gear, Differential Side, L/Differential Lock, Start Year: 01/01/1965
29	81803451	1	Gear, Differential Side, w/Differential Lock, Start Year: 01/01/1965
30	81803424	2	Washer, Differential Gear Thrust, Start Year: 01/01/1965
31	81876885	1	Spider, Rear Axle Differential, Replaces C5NN4211A, Start Year: 01/01/1965
32	81728114	4	Pinion, Differential, Start Year: 01/01/1965
33	508E4230A	4	Washer, Pinion Thrust, Start Year: 01/01/1965

## 3400 3 CYL UTILITY TRACTOR (1/65-9/75)

## 05A01 HYDRAULIC LIFT COVER &amp; RELATED PARTS - 2000, 3000, 4000

Ref	Part Number	Qty	Description
26	81541	1	Washer, 7/16", Years: 01/01/1965-05/31/1969
26	C7NNA611A	1	Washer, Control Shaft, Cup, (Not Shown), Start Year: 06/01/1969
27	280474	1	Nut, Control Shaft, 7/16", Start Year: 01/01/1965
28	957E532	1	Gasket, Quadrant to Cover, Start Year: 01/01/1965
29	C7NN515C	1	Control Quadrant Assy., Replaces C5NN515A, Except, 2300, 2310, 3300, 3310, Start Year: 01/01/1965
29	C5NN515D	1	Control Quadrant Assy., 2300, 3300, (Not Shown), No Longer Serviced, Years: 01/01/1965-11/30/1968
29	C5NN515E	1	Control Quadrant Assy., 2310, 3310, (Not Shown), No Longer Serviced, Start Year: 01/01/1965
29	C5NN515F	1	Control Quadrant Assy., 4200, (Not Shown), NHNA Only, No Longer Serviced, Start Year: 01/01/1966
29A	C7NN515A	1	Control Quadrant Assy., 2300, 3300, No Longer Serviced, Start Year: 12/01/1968
29B	81821693	2	Washer, Lock, 3/8", 2300, 3300, Start Year: 12/01/1968
29C	9628503	2	Nut, G5, 3/8"-16, 2300, 3300, Start Year: 12/01/1968
29D	88011	2	Screw, Cap, HH, G5, 3/8"-16 x 1-1/4", 2300, 3300, Start Year: 12/01/1968
30	81547	2	Washer, Lock, 7/16", Start Year: 01/01/1965
31	9706729	2	Screw, Cap, HH, G5, 7/16"-14 x 1", Start Year: 01/01/1965
32		1	Disc, Friction, Except 2300, 3300, NH-E Only, Start Year: 01/01/1965
32	86574207	1	Disc, Friction, 2300, 3300, (Not Shown), Start Year: 01/01/1965
32	C5NN518B	1	Disc, Friction, Except 4200, (Not Shown), Start Year: 01/01/1965
32	C5NN518C	1	Disc, Friction, 4200, (Not Shown), Start Year: 01/01/1966
33	86523013	1	Control Lever Assy., Except 2300, 2310, 3300, 3310 & 4200, Includes: Lever plus Ref. 33A, No Longer Serviced (NH-E), Years: 01/01/1965-05/31/1969
33	C7NN512B	1	Control Lever Assy., Except 2300, 2310, 3300, 3310 & 4200, Includes: Lever plus Ref. 33A, (Not Shown), Start Year: 06/01/1969
33	86533178	1	Control Lever Assy, 2310 & 3310, Includes Lever plus Ref 33A, (Not Shown), No Longer Serviced (NH-E), Start Year: 01/01/1965
33	C5NNP901B	1	Control Lever Assy., 2300, 3300, (U.S.), Includes: Lever plus Ref. 33A, (Not Shown), NH-E Only, No Longer Serviced, Years: 01/01/1965-11/30/1968
33	C5NN512B	1	Control Lever Assy., 4200, Includes: Lever plus Ref. 33A, (Not Shown), NHNA Only, No Longer Serviced, Start Year: 01/01/1966
33A	E440GB9	1	Ball, Control Lever, 1-1/4", 2300, 3300, Start Year: 01/01/1965
34	86546013	1	Control Lever Assy., 2300, 3300, NHNA Only, Start Year: 12/01/1968
34A	C7NNG960A	1	Pin, Control Lever, 2300, 3300, No Longer Serviced (NH-E), Start Year: 12/01/1968
34B	81821693	1	Washer, Lock, 3/8", 2300, 3300, Start Year: 12/01/1968
34C	9628503	1	Nut, G5, 3/8"-16, 2300, 3300, Start Year: 12/01/1968
35	C5NN520B	1	Retainer, Control Lever, 2300, 3300, No Longer Serviced, Years: 01/01/1965-11/30/1968
35	NS	1	Retainer, Control Lever, Except 2300, 3300 & 4200, NHNA Only, Years: 01/01/1965-05/31/1969
35	D1NND947B	1	Control Lever Retainer Assy., 4200, No Longer Serviced, Years: 01/01/1966-05/31/1969
36	304623S36	2	Screw, Cap, HH, G5, 5/16"-24 x 3/8", No Longer Serviced (NHNA), Years: 01/01/1965-05/31/1969
37	C7NNA953C	1	Control Lever Stop Assy., Replaces 957E521A, Except 2300, 3300, 4200, Start Year: 01/01/1965
37	C5NNA953D	1	Control Lever Stop Assy., 4200, (Not Shown), Start Year: 01/01/1966
37	C5NNA953C	1	Control Lever Stop Assy., 2300, 3300, (Not Shown), No Longer Serviced (NHNA), Years: 01/01/1965-11/30/1968

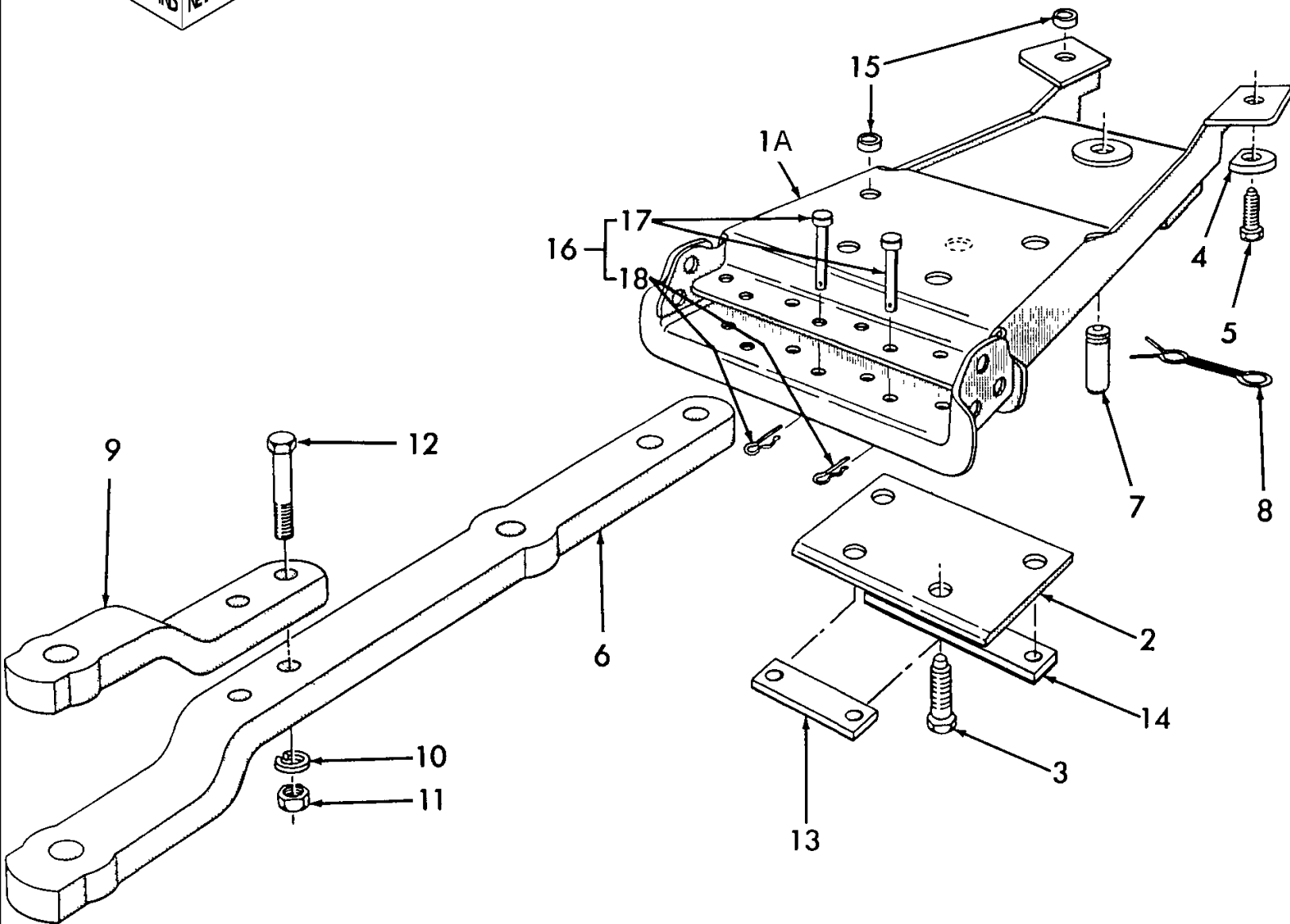
## 3400 3 CYL UTILITY TRACTOR (1/65-9/75)

## 05C01 FLOW CONTROL VALVE &amp; HYDRAULIC LINES - 2000, 3000, 4000

Ref	Part Number	Qty	Description
15	E1ADKN994567	3	Seal, Oil Passage, 7/16" (11.113mm) I.D., Start Year: 01/01/1965
16	304631S36	3	Screw, Cap, HH, G5, 7/16"-20 x 1/2", No Longer Serviced (NH-E), Start Year: 01/01/1965
17	E80WP9	1	Seal, Oil Passage, 1/4" (6.35mm) I.D., Start Year: 01/01/1965
18	280338	1	Screw, Cap, HH, G5, 1/4"-28 x 3/8", Start Year: 01/01/1965
18	D2NNJ958A	1	Bolt, Valve Oil Passage, W/Hydraulic Trailer Brakes, Start Year: 01/01/1973
19	C5NNN949A	1	Gasket, Valve to Center Housing, Start Year: 01/01/1965
20	81547	4	Washer, Lock, 7/16", Start Year: 01/01/1965
21	9706729	4	Screw, Cap, HH, G5, 7/16"-14 x 1", Start Year: 01/01/1965
22	C5NNN976B	1	Pipe Assy., By Pass, No Longer Serviced (NH-E), Start Year: 01/01/1965
23	C5NNN981A	1	Seal, By Pass Pipe, .44" (11.18mm) I.D., Start Year: 01/01/1965
24	C5NNN981B	1	Seal, By Pass Pipe, .66" (16.77mm) I.D., Start Year: 01/01/1965
25	C5NNN979A	1	Bolt, Pipe Banjo, No Longer Serviced, Start Year: 01/01/1965
26	C5NNN944C	1	Link, Restrictor Connecting, No Longer Serviced (NHNA), Start Year: 01/01/1965
27	40937	1	Ring, Snap, Ext, .250", Start Year: 01/01/1965
28	C5NNN967A	1	Pin, Link to Lever, No Longer Serviced (NHNA), Start Year: 01/01/1965
30	C5NNN953A	1	Lever, Restrictor Crank, No Longer Serviced (NHNA), Start Year: 01/01/1965
31	C5NNN951B	1	Pin, Replaces C5NNN951A, Start Year: 01/01/1965
32	87016	1	Washer, SAE, 3/8", Start Year: 01/01/1965
32A	97411S36	1	Ring, Retaining, 3/8", Start Year: 01/01/1965
33	280250	1	Pin, Split Cotter, 3/32" x 3/4", Start Year: 01/01/1965
34	C5NNN947A	1	Adjuster, Actuating Cam, 2" (5.08cm), 3000, Except 3550, No Longer Serviced, Start Year: 01/01/1965
34	C5NNN947B	1	Adjuster, Actuating Cam, 3" (9.62cm), 3550, 4000, (Not Shown), No Longer Serviced (NHNA), Start Year: 01/01/1965
35	C5NNN968A	AR	Shim, Follower, .010 (.254mm) Thick, 3000, 4000, Start Year: 01/01/1965
36	C7NNN941A	1	Follower, Cam, Start Year: 01/01/1965
37	C5NN6N400C	1	Spring, Restrictor Connector, 3000, 4000, Start Year: 01/01/1965
38	C5NNB853C	1	Tube, Pressure, Lower, 3000, Except 3500, No Longer Serviced (NHNA), Years: 01/01/1965-03/31/1968
38	C7NNB853C	1	Tube, Pressure, 7.07" (179.58mm), 3000, Except 3500, 3550, (Not Shown), Start Year: 04/01/1968
38	C5NNB853D	1	Tube, Pressure, 2000, (Not Shown), No Longer Serviced, Years: 01/01/1965-03/31/1968
38	C7NNB853D	1	Tube, Pressure, 12.06" (306.32mm), 2000, (Not Shown), Start Year: 04/01/1968
38	C5NNB853F	1	Tube, Pressure, 13.19" (33.503cm), 3500, (Not Shown), No Longer Serviced, Years: 01/01/1965-03/31/1968
38	C7NNB853E	1	Tube, Pressure, 13.19" (335.03mm), 3500, (Not Shown), No Longer Serviced, Years: 04/01/1968-12/31/1972
38	C5NNB853H	1	Tube, Pressure, Lower, L/Independent PTO, 3550, 4000, Replaces C5NNB855A, (Not Shown), Start Year: 01/01/1965
38A	C5NNB853G	1	Tube, Pressure, Lower, W/Independent PTO, 3550, 4000, Start Year: 01/01/1965
39	272344	2	O-Ring, 90 Duro, .487" ID x .103" Thk, 2000 & 3000, Except 3550, Start Year: 01/01/1965
40	C5NNN859B	1	Ring, Snap, Pressure Tube, Lower, .66 (16.76mm) Dia., 2000 & 3000, Except 3550, No Longer Serviced (NHNA), Years: 01/01/1965-03/31/1968
40	C7NNN859A	1	Ring, Snap, Pressure Tube, Lower, 2000 & 3000, Except 3550, (Not Shown), Start Year: 04/01/1968



1  
(INCLUDES  
1A THRU 14)



## 3400 3 CYL UTILITY TRACTOR (1/65-9/75)

## 05G05 REMOTE CONTROL VALVE O-RING KIT

Ref	Part Number	Qty	Description
	CFPN485B	1	Kit, O-Ring, Remote Control Valve, Includes: Ref. 1 thru 5, Years: 01/01/1965-04/30/1970
1	229317	4	O-Ring, 90 Duro, .549" ID x .103" Thk, 5000, 7000, Start Year: 05/01/1970
1	229317	5	O-Ring, 90 Duro, .549" ID x .103" Thk, 2000, 3000, 4000, Start Year: 05/01/1970
1	D2NNB997A	4	O-Ring, .562 I.D. x .103 W, Replaces C0NN-B994-A, Years: 01/01/1965-04/30/1970
1A	D2NNB997A	1	O-Ring, .562 I.D. x .103 W, Use only on Valves w/Detent, Replaces C0NN-B994-A, Years: 01/01/1965-04/30/1970
1B	D2NNB997A	1	O-Ring, .562 I.D. x .103 W, Except 5000-7000, When installing a Remote Control Valve, use (1) D2NN-B997-A(81829207) in Location 1B (In Bottom of Valve) on 2000,3000 & 4000 Tractors. Use (1) C0NN-B999-A (81817211) in Hydraulic Lift cover of 5000 & 7000 Tractors. DO, Years: 01/01/1965-04/30/1970
2	C5NNN475B	1	O-Ring, .500 I.D. x .070 W, Years: 01/01/1965-04/30/1970
3	C0NNB993A	2	O-Ring, .437 I.D. x .070 W, Years: 01/01/1965-04/30/1970
4	C5NNN475A	1	O-Ring, 1.187 I.D. x .103 W, Years: 01/01/1965-04/30/1970
5	C0NNB999A	1	O-Ring, .799 I.D. x .103 W, 5000-7000, When installing a Remote Control Valve, use (1) D2NN-B997-A(81829207) in Location 1B (In Bottom of Valve) on 2000,3000 & 4000 Tractors. Use (1) C0NN-B999-A (81817211) in Hydraulic Lift cover of 5000 & 7000 Tractors. DO, Years: 01/01/1965-04/30/1970
	DHPN485A	1	Kit, O-Ring, Remote Control Valve, Includes: Ref. 1 thru 5, DHPN-485-A(83912473) Kit to service Valves D7NN-B950-A,B,C,D,E,F, & G, Start Year: 05/01/1970
	DEPN485A	1	Kit, O-Ring, Remote Control Valve, Replaces CKPN-485-A, Includes: Ref. 1 thru 5, Start Year: 05/01/1970
1A	122057	1	O-Ring, 90 Duro, .737" ID x .103" Thk, Single Spool, Use Only on Valves W/Detent, Single Spool, Start Year: 05/01/1970
1A	122057	2	O-Ring, 90 Duro, .737" ID x .103" Thk, Double Spool, Use Only on Valves W/Detent, Double Spool, Start Year: 05/01/1970
2	9992298	1	O-Ring, 90 Duro, .489" ID x .070" Thk, Start Year: 05/01/1970
3	272217	1	O-Ring, 90 Duro, .426" ID x .070" Thk, Start Year: 05/01/1970
4	218774	1	O-Ring, 90 Duro, 1.174" ID x .103" Thk, Not W/DHPN-485-A, (29.82), Start Year: 05/01/1970
5	C0NNB999A	1	O-Ring, .799 I.D. (20.29mm), 5000-7000, When installing a Remote Control Valve, use (1) C0NN-B999-A (81817211) in Location 5 in Hydraulic Lift Cover of 5000 & 7000 Tractors. DO NOT USE both O-Rings in one installation., Start Year: 05/01/1970
	87035S95	3	O-Ring, 90 Duro, .625" ID x .103" Thk, W/Quick Drop Valve, Start Year: 05/01/1970
	273211	1	O-Ring, 90 Duro, 1.125" ID x .103" Thk, W/Quick Drop Valve, Start Year: 05/01/1970
	D7NNB999A	1	O-Ring, w/Kit DHPN-485-A Only, 13/16" I.D. x .103 Wide, Start Year: 05/01/1970

## 3400 3 CYL UTILITY TRACTOR (1/65-9/75)

## 05H04[A] DOUBLE ACTING REMOTE CYLINDER COUPLING KITS (6-73/)

Ref	Part Number	Qty	Description
	9842367	1	Coupling Kit, Double Acting, (1) Required for Single Spool Valve, Includes: Ref. 1 thru 13, Start Year: 06/01/1973
	9842367	2	Coupling Kit, Double Acting, (2) Required for Double Spool Valve, Includes: Ref. 1 thru 13
1	FP505	2	Coupling Assy., Hose, Includes: Ref. 2 & 3, Start Year: 06/01/1973
2	9801618	AR	Valve Assy., Implement Half, Start Year: 06/01/1973
2	E8NNB964BA	2	Valve Assy., Implement Half, Start Year: 06/01/1973
3	772731	2	Housing Assy., Coupling, Includes: Ref. 4 & 5, Start Year: 06/01/1973
4	277634	2	O-Ring, 90 Duro, .799" ID x .103" Thk, Start Year: 06/01/1973
5	FP506	2	Ring, Start Year: 06/01/1973
6	FP493	1	Bracket, Upper, Plastic, Start Year: 06/01/1973
7	FP493	1	Bracket, Lower, Plastic, Start Year: 06/01/1973
8	80702	2	Washer, 3/8", Except 2000, 3000, Start Year: 06/01/1973
9	81821693	2	Washer, Lock, 3/8", Start Year: 06/01/1973
10	9628503	2	Nut, G5, 3/8"-16, Start Year: 06/01/1973
11	300886S36	2	Screw, Cap, HH, G5, 3/8"-16 x 2-3/4", 2000, 3000, Start Year: 06/01/1973
11	280161	2	Screw, Cap, HH, G5, 3/8"-16 x 3", 4000, 5100, 7100, Start Year: 06/01/1973
11	280177	2	Screw, Cap, HH, G5, 3/8"-16 x 5", Use W/Stocked Coupling, 2100, 3100, 3055, 4100, Start Year: 06/01/1973
12	D5NNJ976A	1/2	Fitting Assy., Drip, Plastic, Includes: Fitting & Ref. 12A, Start Year: 06/01/1973
12A	511836	1/2	O-Ring, .219" ID x .070" Thk, Drip Fitting, Start Year: 06/01/1973
13	NSS	1	Hose, Drip Drain, 24" (609.6mm), Use D2NNJ908A, Not Serviced Separately, Start Year: 06/01/1973
14	85700737	2	Clip, Start Year: 06/01/1973
15	FP492	1	Cap, Coupling, Dust, Drop, Replaces D3NNJ906A, Start Year: 06/01/1973
16	FP492	1	Cap, Coupling, Dust, Lift, Replaces D3NNJ906B, Start Year: 06/01/1973
17	311113	2	Bolt, Special, 9/16"-18, Start Year: 06/01/1973
18	D2NNB997A	2	O-Ring, Bolt Seal, Start Year: 06/01/1973
19	128999	2	O-Ring, .424" ID x .103" Thk, L/Knuckle & Clevis Pin, Start Year: 06/01/1973
20	D2NNN975C	1	Bracket, Mounting, Single Spool, 2000-3000, Start Year: 06/01/1973
20	D2NNN975C	2	Bracket, Mounting, Double Spool, 2000-3000, Start Year: 06/01/1973
20		1	Bracket, Mtg., RH, w/Grammer Seat, Dbl. Spl., 2100, 3100, NH-E Only, No Longer Serviced, Start Year: 06/01/1973
20		1	Bracket, Mounting, L.H., W/Grammer Seat, 2100, 3100, NH-E Only, No Longer Serviced, Start Year: 06/01/1973
20		1	Bracket, Mounting, L/Grammer Seat, 2100, 3100, NH-E Only, No Longer Serviced, Start Year: 06/01/1973
20		1	Bracket, Mounting, 3055, 4100, NH-E Only, Start Year: 06/01/1973
21	D2NND916C	1	Bracket Assy., Mounting, 4000 Except 4200, No Longer Serviced, Start Year: 06/01/1973
21	D2NND916A	1	Bracket Assy., Mounting, 5100, 7100, No Longer Serviced (NHNA), Start Year: 06/01/1973
21		1	Bracket Assy., Coupling Mtg., 5100, 7100, NH-E Only, Start Year: 06/01/1973
22	D2NNJ956A	1	Spacer, Mtg. Bracket Assy., w/Grammer Seat, 5100, 7100, Start Year: 06/01/1973
23	E4NNB968BC	2	Hose Assy., 25" Lift-Drop, L/Grammer Seat, 2100, 3100 Single Spool, Includes: Hose & Ref. 25, Start Year: 06/01/1973

Order Hoses &amp; Coupling Brackets Separately.☐

## 3400 3 CYL UTILITY TRACTOR (1/65-9/75)

## 06A01 CYLINDER HEAD, BLOCK &amp; RELATED PARTS, GASOLINE (PETROL) &amp; LPG

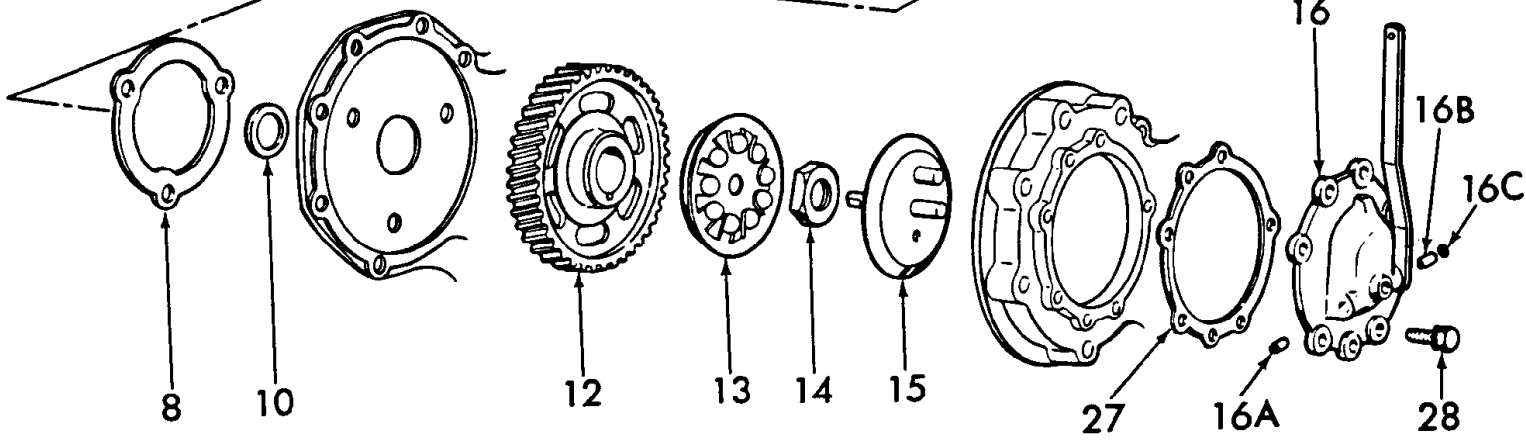
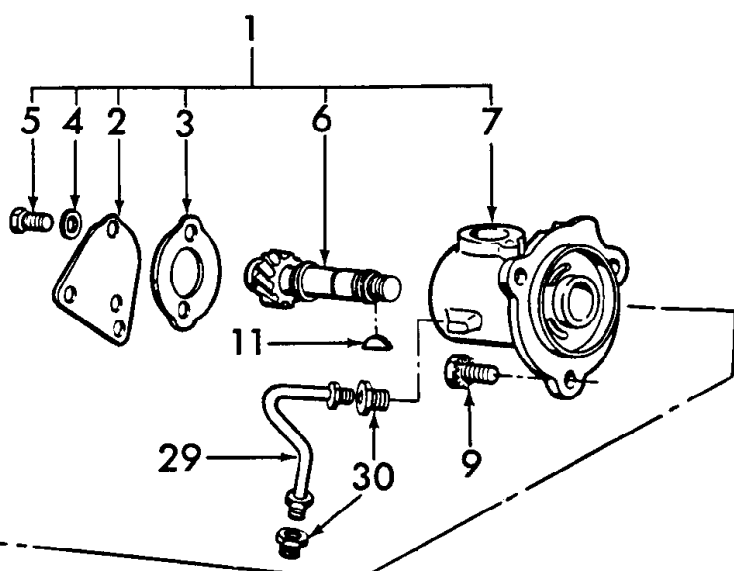
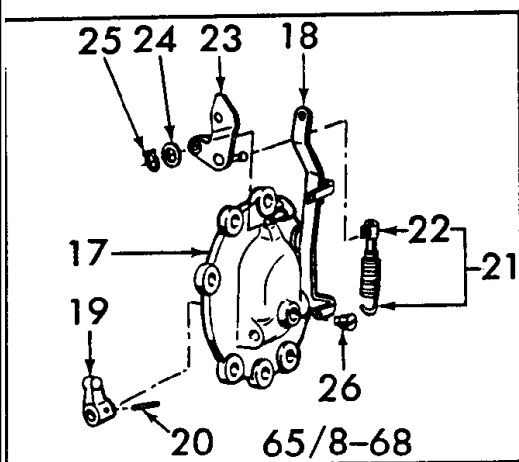
Ref	Part Number	Qty	Description
20	81465471	1	Cock Assy., Drain, Start Year: 01/01/1965
21	D3NN6784A	1	Tube, Oil Level Indicator, 2.46" Lg. (62.5mm), Start Year: 01/01/1973
21	C5NE6784B	1	Tube, Oil Level Indicator, 1.96" Lg., Years: 01/01/1965-12/31/1972
22	C5NE6750D	1	Indicator, Oil Level, Start Year: 01/01/1965
23	D9NN6059BA	1	Cover, Cylinder Front, Start Year: 01/01/1965
23A	83907851	1	Cap Assy., Oil Fill, Start Year: 01/01/1965
24	83959876	1	Gasket, Front Cover, Start Year: 01/01/1965
25	E5NN6C044BA	1	Plate, Front Cover, Start Year: 01/01/1965
26	83959396	1	Gasket, Front Plate, Start Year: 01/01/1965
28	88346	2	Screw, Cap, HH, G5, 5/16"-18 x 2-1/2", W/Washer, Start Year: 01/01/1965
28	378339S36	12	Screw & Washer Assy., 5/16"-18 x 2.12, Start Year: 01/01/1965
29	88346	1	Screw, Cap, HH, G5, 5/16"-18 x 2-1/2", W/Washer, Start Year: 01/01/1965
29A	45964S36	4	Screw, Cap, HH, G5, Self-Locking, 5/16"-18 x 3/4", Start Year: 01/01/1965
30	E5NN6A373AB	1	Plate, Rear Cover, Start Year: 01/01/1965
30A	C7NN6N008B	1	Gasket, Block to Rear Engine Plate, Start Year: 01/01/1965
31	86505157	2	Dowel, 1/2" x 1", Block to Fly Wheel Housing, Start Year: 01/01/1965
32	80680	3	Washer, Lock, 3/8", Start Year: 01/01/1965
33	88434	3	Screw, Cap, HH, G5, 3/8"-16 x 3/4", Start Year: 01/01/1965
34	81804217	1	Cover, Flywheel Access, Start Year: 01/01/1965
35	83905519	1	Screw & Washer Assy., Filister Hd., 5/16"-18 x 5/8", Start Year: 01/01/1965
36	C7NND852A	1	Cover, Hydraulic Pump Flange, L/Hydraulic Pump, Start Year: 01/01/1965
37	E4NN911AA	1	Gasket, Hydraulic Pump Flange Cover, W/Engine Mounted Pump, Start Year: 01/01/1965
37	81822547	1	Gasket, Hydraulic Pump Flange Cover, L/Engine Mounted Pump, Start Year: 01/01/1965
38	280206	4	Screw, Cap, HH, G5, 3/8"-16 x 1-3/8", Years: 01/01/1965-02/28/1969
38	NLS	4	Screw & Washer Assy., 3/8"-16 x .87 {45306S36}, Not Recommended for new design, No Longer Serviced Start Year: 03/01/1969
39	81803219	1	Cover, Power Steering Pump, L/Power Steering, Start Year: 01/01/1965
40	379275S94	1	O-Ring, 3.237 I.D. x .103 Width, Start Year: 01/01/1965
41	80680	2	Washer, Lock, 3/8", Start Year: 01/01/1965
42	9628503	2	Nut, G5, 3/8"-16, Start Year: 01/01/1965
43	P0301634	2	Screw, Cap, Flg Hd, G5, 3/8"-16 x 2-1/2", Start Year: 01/01/1965
44	C5NN8N631A	1	Deflector, Fan Air, L.H., Not used in U.K. or Germany, w/Tractor with Pulley Guard, Start Year: 01/01/1965
45	E8NN8N630AA	1	Deflector, Fan Air, LH & RH, L/Cab, Start Year: 01/01/1965
46	80681	2	Washer, Lock, 5/16", Start Year: 01/01/1965
47	9635082	2	Nut, G5, 5/16"-18, Start Year: 01/01/1965
48	C5NN6095A	1	Cover, Fuel Pump Opening, L.P.G., NH-E, 4000, No Longer Serviced, Years: 01/01/1966-12/31/1968
49	80681	2	Washer, Lock, 5/16", 4000 L.P.G., Years: 01/01/1966-12/31/1968
50	280345	2	Screw, Cap, HH, G5, 5/16"-18 x 7/8", 4000 L.P.G., Years: 01/01/1966-12/31/1968

## 3400 3 CYL UTILITY TRACTOR (1/65-9/75)

## 06D01 PISTONS &amp; CONNECTING RODS, GASOLINE (PETROL) &amp; L.P.G.

Ref	Part Number	Qty	Description
4	CFPN6149BB	3	Kit, Piston Ring, .040" (1.02mm) O/S, 2000, 3000, Start Year: 01/01/1965
4	CFPN6149BB	4	Kit, Piston Ring, .040" (1.02mm) O/S, Replaces CFPN6149AG, 5000, Years: 01/01/1965-05/31/1968
4	CFPN6149BG	3	Kit, Piston Ring, Standard, Replaces CFPN6149AM, 4000, Start Year: 01/01/1965
4	CFPN6149BG	4	Kit, Piston Ring, 5000, Start Year: 06/01/1968
4	CFPN6149BH	3	Kit, Piston Ring, .020 O/S (.508mm), 4000, Start Year: 01/01/1965
4	CFPN6149BH	4	Kit, Piston Ring, Replaces CFPN6149AN, 5000, Start Year: 06/01/1968
4	CFPN6149BJ	3	Kit, Piston Ring, .030 O/S (.762mm), 4000, Start Year: 01/01/1965
4	CFPN6149BJ	4	Kit, Piston Ring, Replaces CFPN6149AP, 5000, Start Year: 06/01/1968
4	CFPN6149BK	3	Kit, Piston Ring, .040" (1.02mm) O/S, 4000, Start Year: 01/01/1965
4	CFPN6149BK	4	Kit, Piston Ring, .040" (1.02mm) O/S, Replaces CFPN6149AR, 5000, Start Year: 06/01/1968
5	E9NN6200CA	3/4	Rod Assy., Connecting, 4.4 Bore, When C7NN6200A Rod replaces C5NE6200A 65/3-68, replace complete set, Start Year: 01/01/1965
5	E3HN6200AC42	3/4	Rod Assy., Connecting, 4.2 Bore, Includes Ref. 6 Thru 8, Start Year: 01/01/1965
6	C5NE6207A	3/4	Bush/Bushing, Connecting Rod, Start Year: 01/01/1965
7	E9NN6214BA	6/8	Bolt, Connecting Rod, 7/16"-20, Start Year: 01/01/1965
8	390655S2	6/8	Nut, Connecting Rod, 7/16"-20, Start Year: 01/01/1965
9	DFPN6211A	3/4	Kit, Connecting Rod Bearing, Standard, Red, Replaces C5NE6211A1, Start Year: 01/01/1965
9	DFPN6211B	3/4	Kit, Connecting Rod Bearing, Standard, Blue, Start Year: 01/01/1965
9	DFPN6211C	3/4	Kit, Connecting Rod Bearing, .002" (.0508mm) U/S, Start Year: 01/01/1965
9	DFPN6211D	3/4	Kit, Connecting Rod Bearing, .010" (.254mm) U/S, Start Year: 01/01/1965
9	DFPN6211E	3/4	Kit, Connecting Rod Bearing, .020" (.508mm) U/S, Start Year: 01/01/1965
9	DFPN6211F	3/4	Kit, Connecting Rod Bearing, .030" (.762mm) U/S, Start Year: 01/01/1965
9	DFPN6211G	3/4	Kit, Connecting Rod Bearing, .040" (1.016mm) U/S, Start Year: 01/01/1965
9	DFPN6211G	3/4	Kit, Connecting Rod Bearing, .040" (1.016mm) U/S, Start Year: 01/01/1965

SOME SERIES 2000 & 3000 GASOLINE ENGINES HAVE BEEN PRODUCED WITH A CRANKSHAFT HAVING A 4.2" STROKE INSTEAD OF THE STANDARD 3.8" STROKE. WHEN REPLACING PISTONS IN THESE ENGINES USE PISTONS FOR THE SERIES 5000 GASOLINE ENGINE.□



Carburetors stamped prefix C5NE or C5NN use Throttle, Governor Linkage dated 65/8-68. Carburetors stamped with prefix C7NN use Throttle, Governor Linkage dated 9/68.

## 3400 3 CYL UTILITY TRACTOR (1/65-9/75)

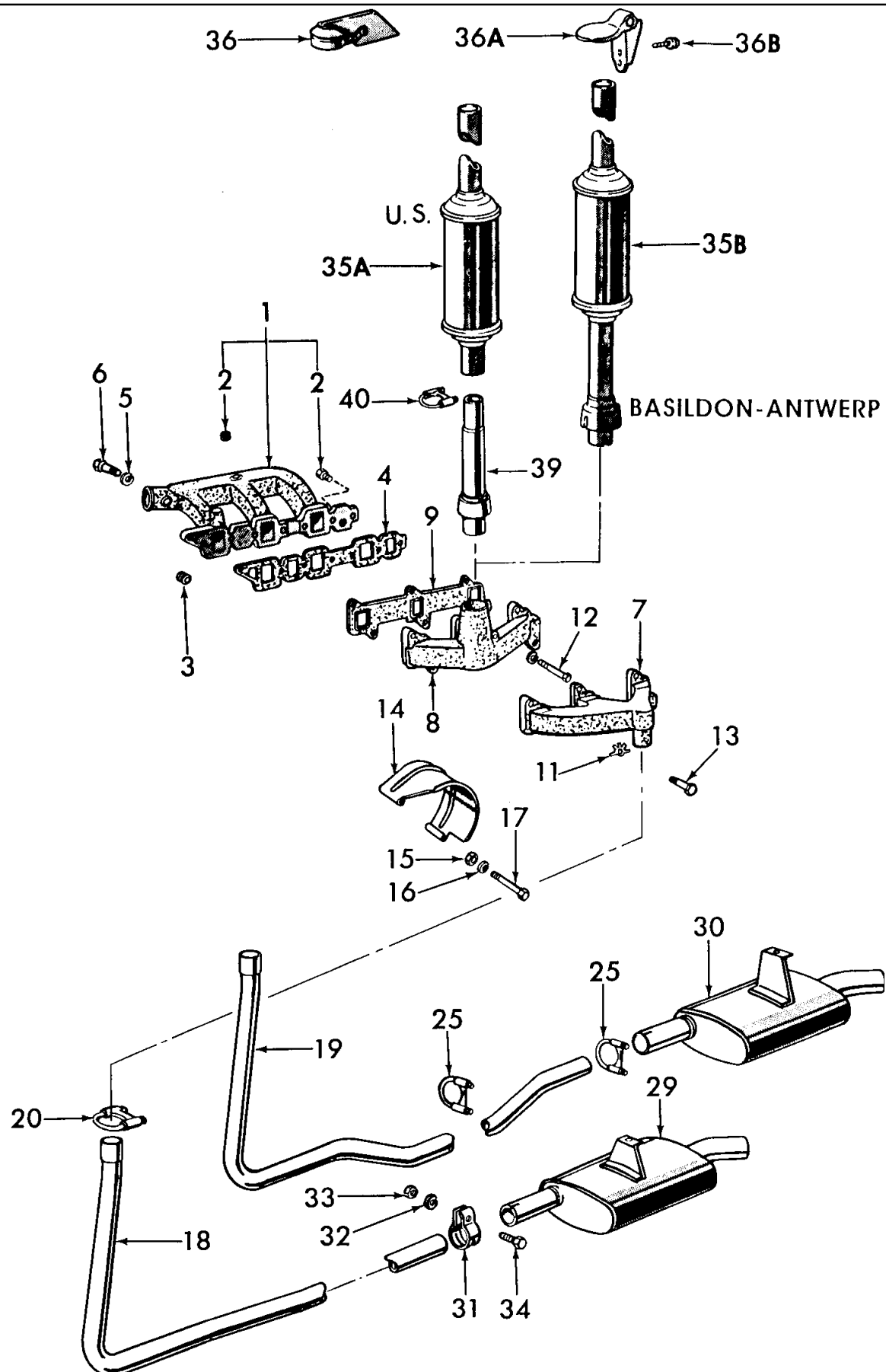
## 06J01 CYLINDER HEAD, BLOCK &amp; RELATED PARTS, DIESEL, 2000, 3000 &amp; 4000

Ref	Part Number	Qty	Description
11	D8NN8575BA	AR	Water Thermostat Assy., 188°, Start Year: 01/01/1965
12	E9NN8255AA	1	Gasket, Water Outlet Connection, Start Year: 01/01/1965
13	42967S36	2	Screw, Cap, HH, G8, Self-Locking, 5/16"-18 x 2-3/8", Use W/C5NE-8594-A, Years: 01/01/1965-09/30/1969
	80681	2	Washer, Lock, 5/16", Start Year: 10/01/1969
	304701S36	2	Screw, Cap, HH, G5, 5/16"-18 x 1-1/8", Use W/C7NN-8594-B, Start Year: 10/01/1969
14	E2NN6010AC	1	Cylinder Block Assy., 2000, 3000, Start Year: 01/01/1965
14	E2NN6010BA	1	Cylinder Block Assy., 4000, Cylinder Head Gasket E8NN6051AA (83977022) must be used with E6NN6009ATB(83958953) Engine Assy. and E2NN6010BD(83955327) Block Assy., Start Year: 01/01/1965
	9617020	1	Plug, Pipe, HS, 1/4"-18, NPTF, Start Year: 01/01/1965
	NSS	1	Plug, 3/8"-18 x .42, Start Year: 01/01/1965
15	378862S	4	Plug, Pipe, Threaded, 1-1/2" - 11 x 1/2", Years: 01/01/1965-02/28/1969
15	83957025	4	Plug, 1.75" (44.5mm), Years: 03/01/1969-10/31/1970
15	83957023	4	Plug, 1.50" (38.0mm), Start Year: 11/01/1970
15	83957024	AR	Plug, 1.56" (39.6mm), Service Only, Start Year: 11/01/1970
	83957026	AR	Plug, 1.81" (46.05mm), Start Year: 03/01/1969
	383442S	AR	Plug, Cup, .931 O.D., 1.18" (30.0mm), Years: 03/01/1969-05/31/1975
	83957022	AR	Plug, Start Year: 06/01/1975
16	502046	1	Plug, Pipe, 1/8"-27, Start Year: 01/01/1965
17	80781	2	Plug, Pipe, Sq Hd, 3/8"-18, Start Year: 01/01/1965
18	81808472	2	Dowel, Pin, 3/8" x 1-1/8", Start Year: 01/01/1965
19	378336S36	2	Plug, Cup, Start Year: 01/01/1965
20	379548S	8	Bolt, 9/16"-12 x 4.45, Main Bearing Caps to Cylinder Block, Replaces C1VE6065C, Start Year: 01/01/1965
21	87800499	4	Bearing, Camshaft, Front, Start Year: 01/01/1965
21A	C5NN6055A	3	Sleeve, Block, Service only, 4.2 Bore, 4.1 I.D. x 4.32 O.D. 2000-3000, Start Year: 01/01/1965
21A	D7NN6055A	3	Sleeve, Block, Service only, 4.4 Bore, 4.3 I.D. x 4.5 O.D., 4000, Start Year: 01/01/1965
21A	D0NN6055A	AR	Sleeve, Block, Service only, Use w/Blocks Rebored to 4.4" (111.76mm), 4.2 ID x 4.4 OD, 2000-3000, Start Year: 01/01/1965
22	81465471	1	Cock Assy., Drain, Start Year: 01/01/1965
23	C5NE6784B	1	Tube, Oil Level Indicator, (1.96"-49 .78mm Long), Years: 01/01/1965-12/31/1972
23	D3NN6784A	1	Tube, Oil Level Indicator (2.46"-6 2.5mm Long), Start Year: 01/01/1973
24	C5NE6750D	1	Indicator, Oil Level, Start Year: 01/01/1965
25	D9NN6059AA	1	Cover, Front, Start Year: 01/01/1965
25A	83907851	1	Cap Assy., Oil Filler Tube, Start Year: 01/01/1965
26	83959876	1	Gasket, Front Cover, Start Year: 01/01/1965
27	83956700	1	Plate, Engine Front Cover, w/CAV Injection Pump 2000-3000-4000, Start Year: 01/01/1965
27	E5NN6C044BA	1	Plate, Engine Front Cover, w/SIMMS Injection Pump, 3000, Years: 01/01/1966-12/31/1970
28	83959396	1	Gasket, Engine Front Plate, Start Year: 01/01/1965
30	378339S36	12	Screw & Washer Assy., HH, 5/16"-18 x 2.12, Start Year: 01/01/1965
30	88346	2	Screw, Cap, HH, G5, 5/16"-18 x 2-1/2", Start Year: 01/01/1965
31	88346	1	Screw, Cap, HH, G5, 5/16"-18 x 2-1/2", W/Washer, Start Year: 01/01/1965

## 3400 3 CYL UTILITY TRACTOR (1/65-9/75)

## 06M01 PISTONS &amp; CONNECTING RODS, DIESEL

Ref	Part Number	Qty	Description
1	D6NN6108F	3	Piston, Pin & Retainer Set, Standard, 2000, Start Year: 01/01/1965
1	D6NN6108F	3	Piston, Pin & Retainer Set, Standard, 2000, No Longer Serviced (NHNA), Start Year: 01/01/1965
1	D6NN6108G	3	Piston, Pin & Retainer Set, .004" (.1016mm) O/S, 2000, Start Year: 01/01/1965
1	D6NN6108G	3	Piston, Pin & Retainer Set, .004" (.1016mm) O/S, 2000, NH-E Only, Start Year: 01/01/1965
1	D6NN6108F	3	Piston, Pin & Retainer Set, .020" (.508mm) O/S, 2000, Start Year: 01/01/1965
1	D6NN6108F	3	Piston, Pin & Retainer Set, .020" (.508mm) O/S, 2000, NH-E Only, Start Year: 01/01/1965
1	D6NN6108F	3	Piston, Pin & Retainer Set, .030" (.762mm) O/S, 2000, NO LONGER SERVICED, USE EITHER .040 O/S OR SUPERSESSION TO STD. PISTON - WILL NEED A SLEEVE, Start Year: 01/01/1965
1	D6NN6108K	3	Piston, Pin & Retainer Set, .040" (1.016mm) O/S, 2000, Start Year: 01/01/1965
1	D6NN6108K	3	Piston, Pin & Retainer Set, .040" (1.016mm) O/S, 2000, NH-E Only, Start Year: 01/01/1965
1	F2NN6K100DA	3	Kit, Piston, Pin, Retainer & Piston Rings(Std.), 4000, When replacing prior level piston W/E0NN level, must replace complete set, Start Year: 01/01/1965
1	E0NN6108BA	3	Piston, Pin & Retainer Set, .004" (.1016mm) O/S, 4000, Start Year: 01/01/1965
1	NLS	3	Piston, Pin & Retainer, .020", O/S, 4000, Start Year: 01/01/1965
1	E0NN6108DA	3	Piston, Pin & Retainer Set, .030" (.762mm) O/S, 4000, Start Year: 01/01/1965
1	E0NN6108DA	3	Piston, Pin & Retainer Set, .030" (.762mm) O/S, 4000, NH-E Only, Start Year: 01/01/1965
1	E0NN6108EA	3	Piston, Pin & Retainer Set, .040" (1.02mm) O/S, 4000, Start Year: 01/01/1965
1	D6NN6108L	3	Piston, Pin & Retainer Set, Standard, 3000 Except 3055,3550, When replacing D4NN-6108-L(81845870), must replace the complete set., Start Year: 01/01/1965
1	D6NN6108M	3	Piston, Pin & Retainer Set, .004" O/S (.1016mm), 3000, Except 3055,3550, Start Year: 01/01/1965
1	D6NN6108N	3	Piston, Pin & Retainer Set, .020" O/S (.508mm), 3000, Except 3055,3550, NO LONGER SERVICED, USE EITHER .040 O/S OR SUPERSESSION TO STD. PISTON - WILL NEED A SLEEVE, Start Year: 01/01/1965
1	D6NN6108L	3	Piston, Pin & Retainer Set, .030" O/S (.762mm), 3000, Except 3055,3550, NO LONGER SERVICED, USE EITHER .040 O/S OR SUPERSESSION TO STD. PISTON - WILL NEED A SLEEVE, Start Year: 01/01/1965
1	D6NN6108L	3	Piston, Pin & Retainer Set, .040" O/S (1.016mm) 3000, Except 3055,3550, Start Year: 01/01/1965
1	D6NN6108L	4	Piston, Pin & Retainer Set, 5000, Years: 01/01/1965-03/31/1968
1	F2NN6K100EA	4	Kit, Piston, Pin, Retainer & Piston Rings(Std.), 5000, Start Year: 04/01/1968
1	D6NN6108M	4	Piston, Pin & Retainer Set, .004" O/S (.1016mm), 5000, Years: 01/01/1965-03/31/1968
1	D4NN6108AB	4	Piston, Pin & Retainer Set, .004" O/S (.1016mm), 5000, Start Year: 04/01/1968
1	D6NN6108N	4	Piston, Pin & Retainer Set, .020" O/S (.508mm), 5000, NO LONGER SERVICED, USE EITHER .040 O/S OR SUPERSESSION TO STD. PISTON - WILL NEED A SLEEVE, Years: 01/01/1965-03/31/1968
1	D4NN6108AC	4	Piston, Pin & Retainer Set, .020" O/S (.508mm), 5000, Start Year: 04/01/1968
1	D6NN6108L	4	Piston, Pin & Retainer Set, .030" O/S (.762mm), 5000, NO LONGER SERVICED, USE EITHER .040 O/S OR SUPERSESSION TO STD. PISTON - WILL NEED A SLEEVE, Years: 01/01/1965-03/31/1968
1	D4NN6108AD	4	Piston, Pin & Retainer Set, .030" O/S (.762mm), 5000, Start Year: 04/01/1968
1	D6NN6108L	4	Piston, Pin & Retainer Set, .040" O/S (1.016mm), 5000, Years: 01/01/1965-03/31/1968
1	D4NN6108AE	4	Piston, Pin & Retainer Set, .040" O/S (1.016mm), 5000, Start Year: 04/01/1968
1	D6NN6108S	3	Piston, Pin & Retainer Set, Standard, 3055,3550, Start Year: 01/01/1970
1	D6NN6108T	3	Piston, Pin & Retainer Set, .004" O/S (.1016mm), 4.2 Bore, 3055,3550, Start Year: 01/01/1970



## 3400 3 CYL UTILITY TRACTOR (1/65-9/75)

## 06Z01[A] ENGINE OVERHAUL KITS, DIESEL (NHNA)

Ref	Part Number	Qty	Description
	DJPN6149X	3	Kit, Piston Ring, .020 O/S, 4000
	C5NE6207A	3	Bushing, 2000,3000,4000
	D0NN6514A	3	Retainer, Intake, 2000,3000,4000
	C5NE6A516A	3	Retainer, Exhaust, 2000,3000,4000
	82845201	1	Gasket, 4000, Years: 01/01/1965-05/31/1969
	87801653	1	Gasket, 4000, Years: 06/01/1969-12/31/1975
	81876796	12	Key, 2000,3000,4000
	E1NN6600DD	1	Rotor & Shaft, 2000,3000,4000
	C5NE6A809A	1	Valve, 2000,3000,4000, No Longer Serviced (NH-E), Years: 01/01/1965-01/31/1972
	D1NN6A809A	1	Valve, 2000,3000,4000, Years: 02/01/1972-12/31/1975
	87800008	1	Shaft & Gear, 2000,3000,4000
	82845204	1	Kit, Gasket, Upper, 2000,3000,4000
	82845207	1	Kit, Gasket, Lower, 2000,3000,4000
9	ECPN6002DA	AR	Kit, Engine Overhaul, .020 O/S, 5000, Includes: Parts Listed Below, NHNA Only, Years: 01/01/1965-03/31/1968
	D6NN6108L	4	Piston Assy., .020 O/S, 5000
	DJPN6149T	4	Kit, Piston Ring, .020 O/S, 5000
	C5NE6207A	4	Bushing, 5000
	D0NN6514A	4	Retainer, Intake, 5000,7000
	C5NE6A516A	4	Retainer, Exhaust, 5000,7000
	81876796	16	Key, 5000,7000
	82845203	1	Gasket, 5000
	E1NN6600DD	1	Rotor & Shaft, 5000
	C5NE6A809A	1	Valve, 5000,7000, No Longer Serviced (NH-E)
	D1NN6A809A	1	Valve, 5000,7000, Years: 02/01/1972-12/31/1975
	87800008	1	Shaft & Gear, 5000,7000
	82845206	1	Kit, Gasket, Upper, 5000,7000
	CFPN6A008C	1	Kit, Gasket, Lower, 5000,7000
10	ECPN6002EA	AR	Kit, Engine Overhaul, .020 O/S, 5000, Includes: Parts Listed Below, NHNA Only, Years: 04/01/1968-12/31/1975
	D4NN6108AC	4	Piston Assy., .020 O/S, 5000
	DJPN6149X	4	Kit, Piston Ring, .020 O/S, 5000
	C5NE6207A	4	Bushing, 5000
	D0NN6514A	4	Retainer, Intake, 5000,7000
	C5NE6A516A	4	Retainer, Exhaust, 5000,7000
	81876796	16	Key, 5000,7000
	87800517	1	Gasket, 5000,7000
	E1NN6600DD	1	Rotor & Shaft, 5000
	C5NE6A809A	1	Valve, 5000,7000, No Longer Serviced (NH-E)
	D1NN6A809A	1	Valve, 5000,7000, Years: 02/01/1972-12/31/1975
	87800008	1	Shaft & Gear, 5000,7000

## 3400 3 CYL UTILITY TRACTOR (1/65-9/75)

## 07B01 6 SPEED TRANSMISSION CASE, SHIFT LEVERS &amp; RELATED PARTS

Ref	Part Number	Qty	Description
25	NLS	1	Rail, Gear Shift (High & Low) {C5NN7240C}, Years: 01/01/1965-09/30/1966
25	C5NN7240AD	1	Rail, Gear Shift (High & Low), Start Year: 10/01/1966
26	C5NN7240G	1	Rail, Gear Shift, Start Year: 01/01/1965
27	9617020	1	Plug, Pipe, HS, 1/4"-18, NPTF, Start Year: 01/01/1965
28	C5NN7229B	1	Interlock, Gear Shift Rail, Start Year: 01/01/1965
29	D9NN7279AA	1	Gate, Gear Shift Shaft, Start Year: 01/01/1965
30	E5NN7N103AA	1	Connector, Gear Shift Lever to 6th, 3rd, 4th & 1st Rail, Start Year: 01/01/1965
30	E5NN7N103AA	1	Connector, Gear Shift Lever to 6th, 3rd, 4th & 1st Rail, Start Year: 01/01/1965
31	797234	3	Spring, Gear Shift Rail, Start Year: 01/01/1965
32	145222	3	Ball, Steel, Detent, 3/8", Start Year: 01/01/1965
33	C5NN7211F	1	Cover Assy., Case, Pressed Steel, Start Year: 01/01/1965
34	82004680	1	Gasket, Case Cover, Start Year: 01/01/1965
35	80680	8	Washer, Lock, 3/8", Start Year: 01/01/1965
36	88434	8	Screw, Cap, HH, G5, 3/8"-16 x 3/4", Start Year: 01/01/1965
36A	C5NN7N176C	1	Bolt, Dowel, Safety Starter Switch Plunger, No Longer Serviced, Start Year: 01/01/1965
37	D9NN7037AA	1	Gasket, Filler Plug, Start Year: 01/01/1965
38	957E7010	1	Plug, Case Filler, Start Year: 01/01/1965
39	C5NN7210D	1	Lever, Main Gear Change, Years: 01/01/1965-03/31/1968
39	C7NN7210K	1	Lever, Main Gear Change, 13-1/4" Lg., Years: 04/01/1968-04/30/1969
39	C7NN7210AD	1	Lever, Main Gear Change, 13-1/4" Lg., Start Year: 02/01/1969
39	C7NN7210AF	1	Lever, Main Gear Change, 17" Lg., Start Year: 02/01/1969
40	C5NN7210V	1	Lever, High-Low Gear Shift, No Longer Serviced, Years: 01/01/1965-03/31/1968
40	C7NN7210AC	1	Lever, High-Low Gear Shift, Start Year: 04/01/1968
40A	128359	2	O-Ring, .614" ID x .070" Thk, Start Year: 04/01/1968
41	D7NN7C402A	2	Pin, Gear Shift Lever Retaining, Start Year: 01/01/1965
42	82007346	2	Retainer, Gear Shift Lever Ball, Start Year: 01/01/1965
43	C7NN7227A	2	Spring, Gear Shift Lever, Start Year: 01/01/1965
44	N7228	2	Ring, Snap, Gear Shift Lever Spring, Start Year: 01/01/1965
45	C5NN7213A	1	Ball, Main Gear Change Lever, 1-5/8" Dia., Start Year: 01/01/1965
46	E440GB9	1	Ball, High-Low Gear Shift, 1-1/4" Dia., Start Year: 01/01/1965
47	C5NN11N500A	1	Switch, Starter Safety, Years: 01/01/1965-09/30/1966
47A	87034S94	1	O-Ring, .562" ID x .103" Thk, Years: 01/01/1965-09/30/1966
48	C5NN11467H	1	Plunger, Starter Safety Switch, Years: 01/01/1965-09/30/1966
49	C5NN11N520A	1	Roller, Starter Safety Switch, Years: 01/01/1965-09/30/1966
50	C5NN11N517B	1	Connector, Starter Safety Switch, U.S. Only, U.K.-Antwerp to Procure Locally, Years: 01/01/1965-09/30/1966
50A	C5NN7N177A	1	Plate Assy., Gear Shift Oil Baffle, No Longer Serviced, Years: 01/01/1965-09/30/1966
50B	C5NN7N178B	1	Plate, Gear Shift Oil Baffle, No Longer Serviced, Years: 01/01/1965-09/30/1966
50C	44747S2	1	Washer, 3/4", Years: 01/01/1965-09/30/1966
50D	375217S36	1	Washer, Flat, .76 I.D. x 1.72, Years: 01/01/1965-09/30/1966
50D	NSS	2	Washer, Flat, .76 I.D. x 1.72, Years: 01/01/1965-09/30/1966

## 3400 3 CYL UTILITY TRACTOR (1/65-9/75)

07C01 DUAL RANGE 7 SPEED (GERMANY) &amp; 8 SPEED TRANS. CASE, SHIFT LEVERS &amp; RELATED PARTS - 2000, 3000, 4000

Ref	Part Number	Qty	Description
42A	C5NN7N176C	1	Bolt, Dowel, Case Cover, W/Pressed Steel Cover, No Longer Serviced, Years: 01/01/1965-09/30/1966
42A	C5NN7N176A	1	Bolt, Dowel, Case Cover, W/Cast Cover, No Longer Serviced, Years: 01/01/1965-09/30/1966
43	D9NN7037AA	1	Gasket, Filler Plug 3400,4000,5000, Start Year: 01/01/1965
44	957E7010	1	Plug, Case Filler, Start Year: 01/01/1965
45	C5NN7210D	1	Lever, Main Gear Change, W/Pressed Steel Cover, Years: 01/01/1965-03/31/1968
45	C7NN7210K	1	Lever, Main Gear Change, W/Cast Cover, 2300-3300, No Longer Serviced, Years: 04/01/1968-01/31/1969
45	C7NN7210AD	1	Lever, Main Gear Change, W/Pressed Steel Cover, 2300-3300, Start Year: 02/01/1969
45	C7NN7210J	1	Lever, Main Gear Change, W/Cast Cover, 4200-4410, Years: 01/01/1966-01/31/1969
45	C7NN7210AF	1	Lever, Main Gear Change, W/Pressed Steel Cover, 4200-4410, Start Year: 02/01/1969
45	C5NN7210E	1	Lever, Main Gear Change, W/Cast Cover, Years: 01/01/1965-03/31/1968
45	C7NN7210C	1	Lever, Main Gear Change, W/Cast Cover, Except 2300-3300-4200, Years: 04/01/1968-01/31/1969
45	C7NN7210AG	1	Lever, Main Gear Change, W/Pressed Steel Cover, Except 2300,3300,4200, Start Year: 02/01/1969
46	C5NN7210V	1	Lever, High - Low Gear Shift, W/Cast Cover, 2000-3000, No Longer Serviced, Years: 01/01/1965-03/31/1968
46	C7NN7210D	1	Lever, High - Low Gear Shift, W/Cast Cover, No Longer Serviced, Years: 04/01/1968-01/31/1969
46	C5NN7210T	1	Lever, High - Low Gear Shift, 4200, NHNA Only, No Longer Serviced, Years: 01/01/1966-03/31/1968
46	C7NN7210AC	1	Lever, High - Low Gear Shift, W/Pressed Steel Cover, Start Year: 02/01/1969
46A	128359	2	O-Ring, .614" ID x .070" Thk, Start Year: 04/01/1968
47	D7NN7C402A	2	Pin, Gear Shift Lever Retaining, W/Pressed Steel Cover, Start Year: 01/01/1965
47	D7NN7C402A	1	Pin, Gear Shift High - Low Lever Locating, W/Cast Cover, Replaces P/N N-7221, Years: 01/01/1965-01/31/1969
47	C7NN7N441B	1	Pin, Gear Shift Main Lever Locating, W/Cast Cover, Years: 01/01/1965-01/31/1969
48	82007346	2	Retainer, Gear Shift Lever Ball, Replaces P/N D4NN7N309A, Start Year: 01/01/1965
49	C7NN7227A	2	Spring, Gear Shift Lever, Replaces P/N N-7227, Start Year: 01/01/1965
50	N7228	2	Ring, Snap, Gear Shift Lever Spring, Start Year: 01/01/1965
51	C5NN7213A	1	Ball, Main Gear Change Lever, 1-5/8" (4.128cm), Start Year: 01/01/1965
51A	C5NN7C305B	2	Extension Assy., Gear Shift, 4200, NHNA Only, No Longer Serviced, Start Year: 01/01/1966
52	E440GB9	1	Ball, High - Low Gear Shift, 1-1/4" (3.175cm) Dia., Except 4200, Start Year: 01/01/1965
53	C5NN11N500A	1	Switch, Starter Safety, Years: 01/01/1965-09/30/1966
53A	87034S94	1	O-Ring, .562" ID x .103" Thk, Years: 01/01/1965-09/30/1966
53B	C5NN11N005A	1	Shim Pack, Switch to Shift Cover, U.S., No Longer Serviced, Years: 01/01/1965-09/30/1966
54	C5NN11467H	1	Plunger, Starter Safety Switch, W/Pressed Steel Cover, Red, .990/.995 (25.146/25.273mm), No Longer Serviced, Years: 01/01/1965-09/30/1966
54	C5NN11467J	1	Plunger, Starter Safety Switch, Red, 1.315/1.320 (33.401/33.528mm), No Longer Serviced, Years: 01/01/1965-09/30/1966
55	C5NN11N520A	1	Roller, Starter Safety Switch, No Longer Serviced, Years: 01/01/1965-09/30/1966
56	C5NN11N517B	1	Connector, Starter Safety Switch, U.S., Procure Locally, No Longer Serviced, Years: 01/01/1965-09/30/1966
56	C5NN11N517B	1	Connector, Starter Safety Switch, U.K.-Antwerp, Procure Locally, No Longer Serviced, Years: 01/01/1965-09/30/1966
57	C5NN11N466A	1	Retainer, Starter Safety Switch Plunger, W/Cast Cover, No Longer Serviced, Years: 01/01/1965-09/30/1966



## 3400 3 CYL UTILITY TRACTOR (1/65-9/75)

07E07 DOUBLE CLUTCH ASSEMBLY - 2000, 3000, 4110

Ref	Part Number	Qty	Description
30	C5NN7N585B	AR	Shim, .010", Release Lever Retaining Clip, Start Year: 01/01/1965
30	C5NN7N585C	AR	Shim, .015", Release Lever Retaining Clip, Start Year: 01/01/1965
30	C5NN7N585D	AR	Shim, .020", Release Lever Retaining Clip, Start Year: 01/01/1965
31	C5NN7N614A	3	Clip, Release Lever Retaining, Start Year: 01/01/1965
32	C5NN7N665A	3	Pin, Cotter, 1/16" x 3/4", Start Year: 01/01/1965
33	C5NN7N526A	3	Nut, Hex, 3/8"-24, Start Year: 01/01/1965
34	C5NN7N537A	3	Screw, HH, 3/8"-24 x 61/64", Start Year: 01/01/1965
35	80681	6	Washer, Lock, 5/16", Start Year: 01/01/1965
36	C5NN7N569A	6	Bolt, Pressure Plate & Cover to Flywheel, Start Year: 01/01/1965

## 3400 3 CYL UTILITY TRACTOR (1/65-9/75)

## 07F01 SELECT-O-SPEED - TRANSMISSION CASE, TORQUE LIMITER, CLUTCH &amp; RELATED PARTS - 2000, 3000, 4000

Ref	Part Number	Qty	Description
40	C5NN7A643B	1	Spring, Clutch Torque Limiter, 4000, No Longer Serviced, Start Year: 01/01/1965
41	C5NN7N528A	1	Housing, Clutch Torque Limiter, No Longer Serviced, Start Year: 01/01/1965
42	304666S36	6	Screw, Cap, HH, G5, 3/8"-16 x 7/8", Start Year: 01/01/1965
43	313849	1	Guide, PTO Feathering Cable Slides, No Longer Serviced, Start Year: 01/01/1965
44	81547	1	Washer, Lock, 7/16", Start Year: 01/01/1965
45	C5NN7211J	1	Cover Assy., Case, L/PTO, No Longer Serviced, Start Year: 01/01/1965
45	C5NN7211H	1	Cover Assy., Case, Single & Double Speed PTO, No Longer Serviced, Start Year: 01/01/1965
46	88434	10	Screw, Cap, HH, G5, 3/8"-16 x 3/4", Start Year: 01/01/1965
47	81821693	10	Washer, Lock, 3/8", Start Year: 01/01/1965
48	NDA7223A	1	Gasket, Case Cover, 10", 10 Bolt, Start Year: 01/01/1965
48	86569737	1	Gasket, Case Cover, 11", 12 Bolt, Replaces C5NN7223D, Start Year: 01/01/1965
49	21T4022	1	Plug, Case Vent, Start Year: 01/01/1965
50	D7NN7A488A	1	Harness Assy., Years: 01/01/1965-03/31/1968
50	C7NN7A488B	1	Harness Assy., No Longer Serviced, Start Year: 04/01/1968
51	C0NN7A482B	1	Cable Assy., Control Valve, No Longer Serviced (NH-E), Start Year: 01/01/1965
52	C7NN7600A	1	Bearing Assy., Start Year: 01/01/1965
	CFPN7153D	1	Kit, Transmission Gasket & Seal, Includes: the Following, Start Year: 01/01/1965
	D9NN703BB	1	Oil Seal Assy., Single Speed PTO, Start Year: 01/01/1965
	C5NN747A	1	Gasket, 2000, 3000, Start Year: 01/01/1965
	C5NN3C715A	1	Gasket, Start Year: 01/01/1965
	C5NN7C000A	2	Seal, Start Year: 01/01/1965
	C0NN7C000A	1	Seal, Single & 2 Speed PTO, Start Year: 01/01/1965
	C0NN7C006A	1	Gasket, No Longer Serviced (NH-E), Start Year: 01/01/1965
	8N7052A2	2	Seal Assy., 4000, Start Year: 01/01/1965
	C0NN7C081A	3	Seal, 2 Speed PTO, Start Year: 01/01/1965
	C0NN7C081A	1	Seal, 4000, Start Year: 01/01/1965
	C0NN7A136A	1	Gasket, Start Year: 01/01/1965
	C5NN7C155A	1	Gasket, Start Year: 01/01/1965
	NDA7223A	1	Gasket, Start Year: 01/01/1965
	C5NN7N306B	1	Gasket, Start Year: 01/01/1965
	C5NN7C346A	1	Gasket, Start Year: 01/01/1965
	C7NN7A388A	1	Gasket, No Longer Serviced (NH-E), Start Year: 01/01/1965
	C7NN7A388B	1	Gasket, 2 Speed PTO, 4000, Start Year: 01/01/1965
	9824105	1	Washer, Seal, .438" ID x .054" Thk, No Longer Serviced (NH-E), Start Year: 01/01/1965
	C5NN7B475B	1	Gasket, Start Year: 01/01/1965
	C0NN7B497A	2	Seal, Start Year: 01/01/1965
	C7NN7C457B	1	Gasket, Start Year: 01/01/1965
	C0NN7A548A	3	Seal, 4000, Start Year: 01/01/1965
	9849109	2	O-Ring, .250" ID x .070" Thk, Start Year: 01/01/1965
	9672548	7	O-Ring, .301" ID x .070" Thk, Start Year: 01/01/1965
	87008S94	1	O-Ring, .375" ID x .070" Thk, Start Year: 01/01/1965

## 3400 3 CYL UTILITY TRACTOR (1/65-9/75)

## 07J01 SELECT-O-SPEED - DISTRIBUTOR, "C" CARRIER, NO. 3 BRAKE BAND &amp; RELATED PARTS - 2000, 3000, 4000

Ref	Part Number	Qty	Description
1	C7NN7B005C	1	Distributor Assy., L/Cooler, Replaces P/N C5NN-7B005-A, 2000, 3000, No Longer Serviced (NHNA), Start Year: 01/01/1965
1	C7NN7B005D	1	Distributor Assy., w/Cooler, Replaces P/N C5NN-7B005-B, 2000, 3000, 4000 Includes: Distributor & Ref. 1A, No Longer Serviced (NHNA), Start Year: 01/01/1965
1A	88071	1	Plug, Pipe, 1/8"-27, Start Year: 01/01/1965
2	88206	4	Screw, Cap, HH, G5, 3/8"-16 x 1", Start Year: 01/01/1965
3	313283	1	Seal, Oil Distributor Sleeve Front, Start Year: 01/01/1965
4	313864	1	Seal, Oil Distributor Oil Sleeve Rear, Start Year: 01/01/1965
5	313974	AR	Washer, Clutch Housing Rear, #1, .062, Start Year: 01/01/1965
5	313975	AR	Washer, Clutch Housing, Rear, #1, .072, No Longer Serviced (NHNA), Start Year: 01/01/1965
5	313976	AR	Washer, Clutch Housing, Rear, #1, .082, No Longer Serviced (NHNA), Start Year: 01/01/1965
5	313977	AR	Washer, Clutch Housing, Rear, #1, .092, Start Year: 01/01/1965
5	313978	AR	Washer, Clutch Housing, Rear, #1, .102, Start Year: 01/01/1965
5	314019	AR	Washer, Clutch Housing, Rear, #1, .112, No Longer Serviced (NHNA), Start Year: 01/01/1965
5	314020	AR	Washer, Clutch Housing, Rear, #1, .122, Start Year: 01/01/1965
6	C5NN7D159A	1	Shaft, "C" Sun Gear, No Longer Serviced (NHNA), Start Year: 01/01/1965
7	312202	6	Seal, "C" Sun Gear Shaft Oil, Start Year: 01/01/1965
8	312020	1	Washer, "C" Sun Gear Shaft Thrust, No Longer Serviced (NH-E), Start Year: 01/01/1965
9	C5NN7B449A	1	Carrier Assy., "C" Planet Gear, 2000, 3000, No Longer Serviced (NHNA), Start Year: 01/01/1965
9	C5NN7B449B	1	Carrier Assy., "C" Planet Gear, 4000, Includes: Carrier, Gear, Ref. 10 & 11, No Longer Serviced (NHNA), Start Year: 01/01/1965
10	NS	1	Bush/Bushing, Front, Not Serviced, Start Year: 01/01/1965
11	NS	1	Bush/Bushing, Rear, Not Serviced, Start Year: 01/01/1965
12	312197	1	Washer, "C" Gear Carrier Thrust, No Longer Serviced, Start Year: 01/01/1965
13	314060	1	Tube Assy., PTO Clutch Oil Pressure, Rear, No Longer Serviced (NHNA), Start Year: 01/01/1965
13A	359078S8	1	Connector, 3/8" Tube, No Longer Serviced, Start Year: 01/01/1965
14	C5NN7B481E	1	Tube Assy., Direct Drive Clutch Oil, No Longer Serviced (NHNA), Start Year: 01/01/1965
15	87324S	1	Tee, No Longer Serviced, Start Year: 01/01/1965
16	9672548	2	O-Ring, .301" ID x .070" Thk, Start Year: 01/01/1965
17	C5NN7B493C	1	Tube Assy., #1 Brake Servo Oil, No Longer Serviced (NHNA), Start Year: 01/01/1965
18	9672548	1	O-Ring, .301" ID x .070" Thk, Start Year: 01/01/1965
19	C5NN7B476A	1	Tube Assy., Oil Pressure, No Longer Serviced (NHNA), Start Year: 01/01/1965
20	9992298	2	O-Ring, 90 Duro, .489" ID x .070" Thk, Front to Rear, 2000, 3000, Start Year: 01/01/1965
20	9992298	2	O-Ring, 90 Duro, .489" ID x .070" Thk, Front & Rear, 5000, Start Year: 01/01/1965
21	309735	2	Filter Assy., Oil Includes: Filter & Ref. 21A, Start Year: 01/01/1965
21A	C5NN7N306B	1	Gasket, Start Year: 01/01/1965
22	C0NN7B462C	1	Band Assy., #3 Brake, No Longer Serviced (NH-E), Start Year: 01/01/1965
23	313677	1	Screw, #3 Brake Band Adjusting, No Longer Serviced (NHNA), Start Year: 01/01/1965
24	351502S36	1	Washer, Flat, 5/8", Start Year: 01/01/1965
25	280374	1	Nut, G5, 5/8"-11, Start Year: 01/01/1965
26	PBB77422B	1	Strut, #3 Brake Band Adjusting, No Longer Serviced (NHNA), Start Year: 01/01/1965

## 3400 3 CYL UTILITY TRACTOR (1/65-9/75)

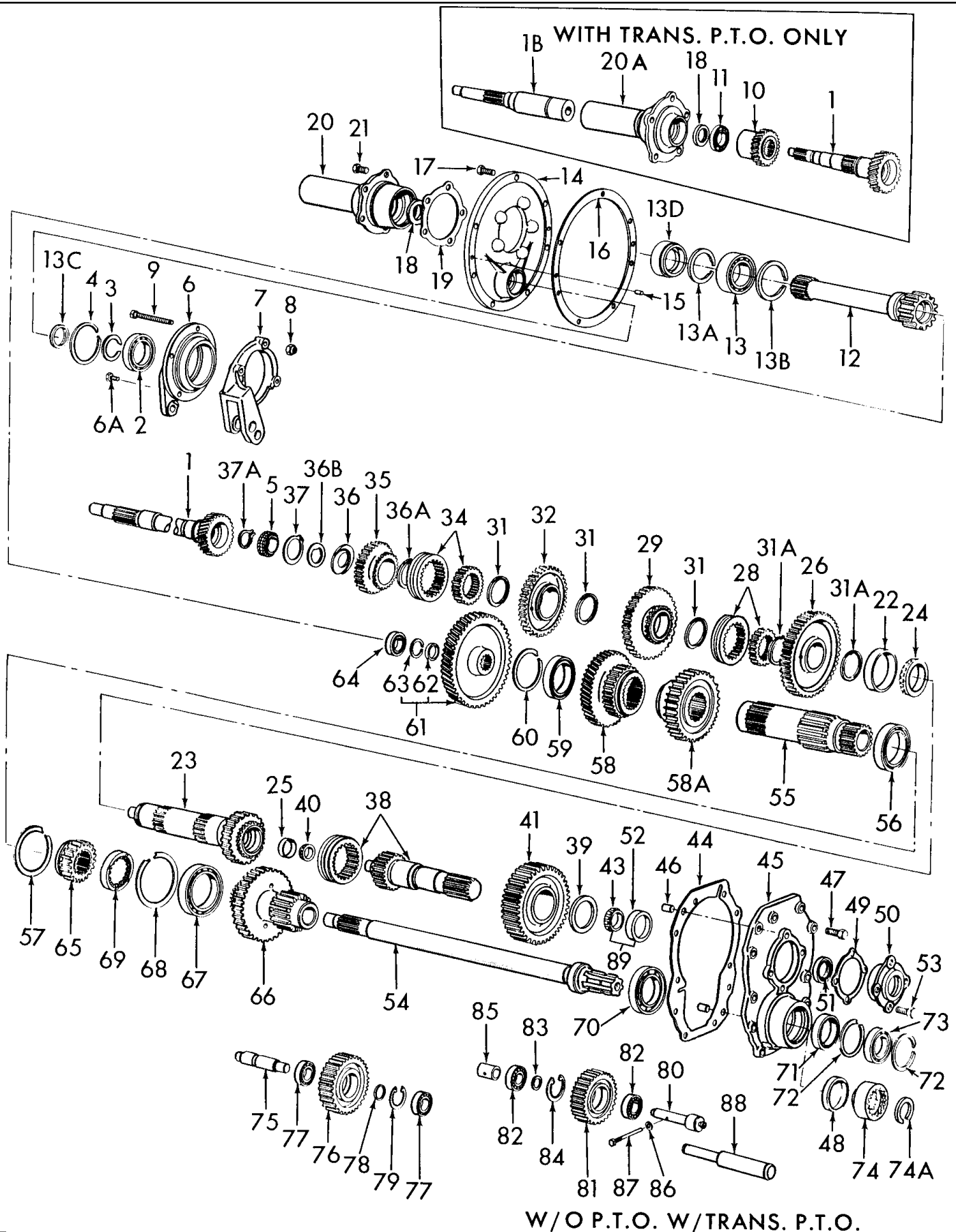
07L02 SELECT-O-SPEED - POWER TAKE OFF, 2 SPEED - 2000, 3000, 4110

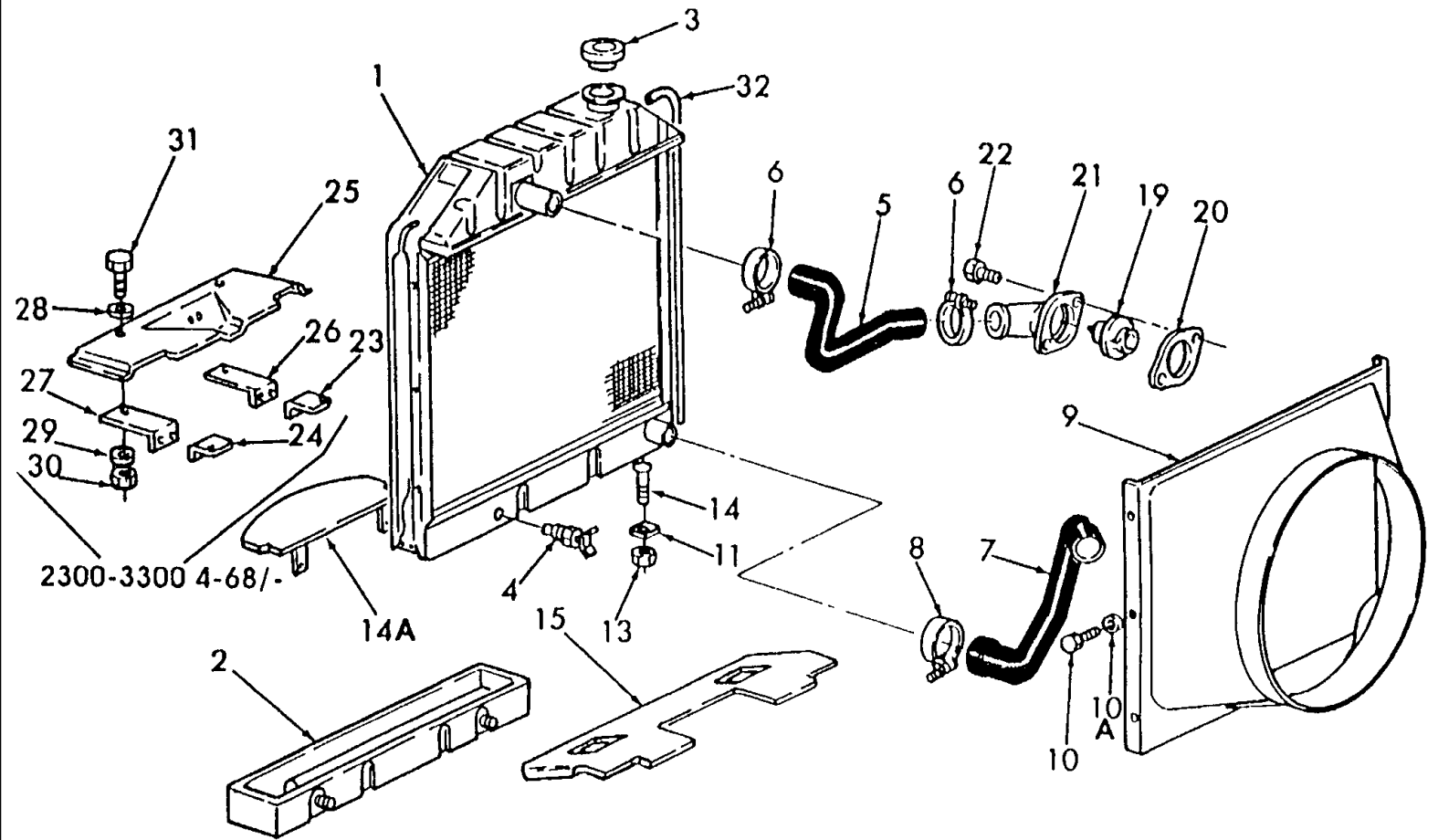
Ref	Part Number	Qty	Description
38	312353	1	Ring, Intermediate Shaft Bearing Snap, No Longer Serviced (NHNA), Start Year: 01/01/1965
39	313926	1	Washer, Driven Gear Thrust, No Longer Serviced (NHNA), Start Year: 01/01/1965
40	C5NN7A453A1	1	Bearing Assy., Intermediate Shaft, No Longer Serviced (NH-E), Start Year: 01/01/1965
41	313739	1	Seal Assy., Intermediate Shaft, Start Year: 01/01/1965
42	46810	1	Ring, Front Shaft Rear Bearing, No Longer Serviced (NH-E), Start Year: 01/01/1965
43	312106	1	Coupling, Rear Shaft, U.S., No Longer Serviced (NHNA), Start Year: 01/01/1965
44	C5NNA701E	1	Shaft, Rear, No Longer Serviced (NHNA), Start Year: 01/01/1965
45	C5NN735A	1	Sleeve, Rear Shaft, U.S., No Longer Serviced (NHNA), Start Year: 01/01/1965
46	87026S94	1	O-Ring, 1.125" ID x .070" Thk, Start Year: 01/01/1965
47	313244	1	Ring, Snap, Bearing to PTO Cover, Start Year: 01/01/1965
48	313243	1	Ring, Snap, Bearing to Sleeve, Start Year: 01/01/1965
49	313242	1	Bearing Assy., Shaft Sleeve, No Longer Serviced, Start Year: 01/01/1965
50	313245	1	Seal, Oil, Shaft Sleeve to Cover, Start Year: 01/01/1965
51	C5NN733C	1	Cover, No Longer Serviced (NHNA), Start Year: 01/01/1965
52	C5NN747A	1	Gasket, Cover, Start Year: 01/01/1965
53	304705S36	4	Screw, Cap, HH, G5, 7/16"-14 x 1-1/8", Start Year: 01/01/1965
54	C5NNN702A	1	Adapter, Rear Shaft, 6 Spline, 545 RPM, No Longer Serviced (NHNA), Start Year: 01/01/1965
54	C7NNN702A	1	Adapter, Rear Shaft, 21 Spline, 1000 RPM, No Longer Serviced (NHNA), Start Year: 01/01/1965
55	306474S36	1	Screw, Cap, HS, G8, 7/16"-20 x 5", No Longer Serviced, Start Year: 01/01/1965
56	310088F	1	Cap, Start Year: 01/01/1965
57	C5NNN704A	1	Wrench, Rear Shaft Adapter, No Longer Serviced, Start Year: 01/01/1965

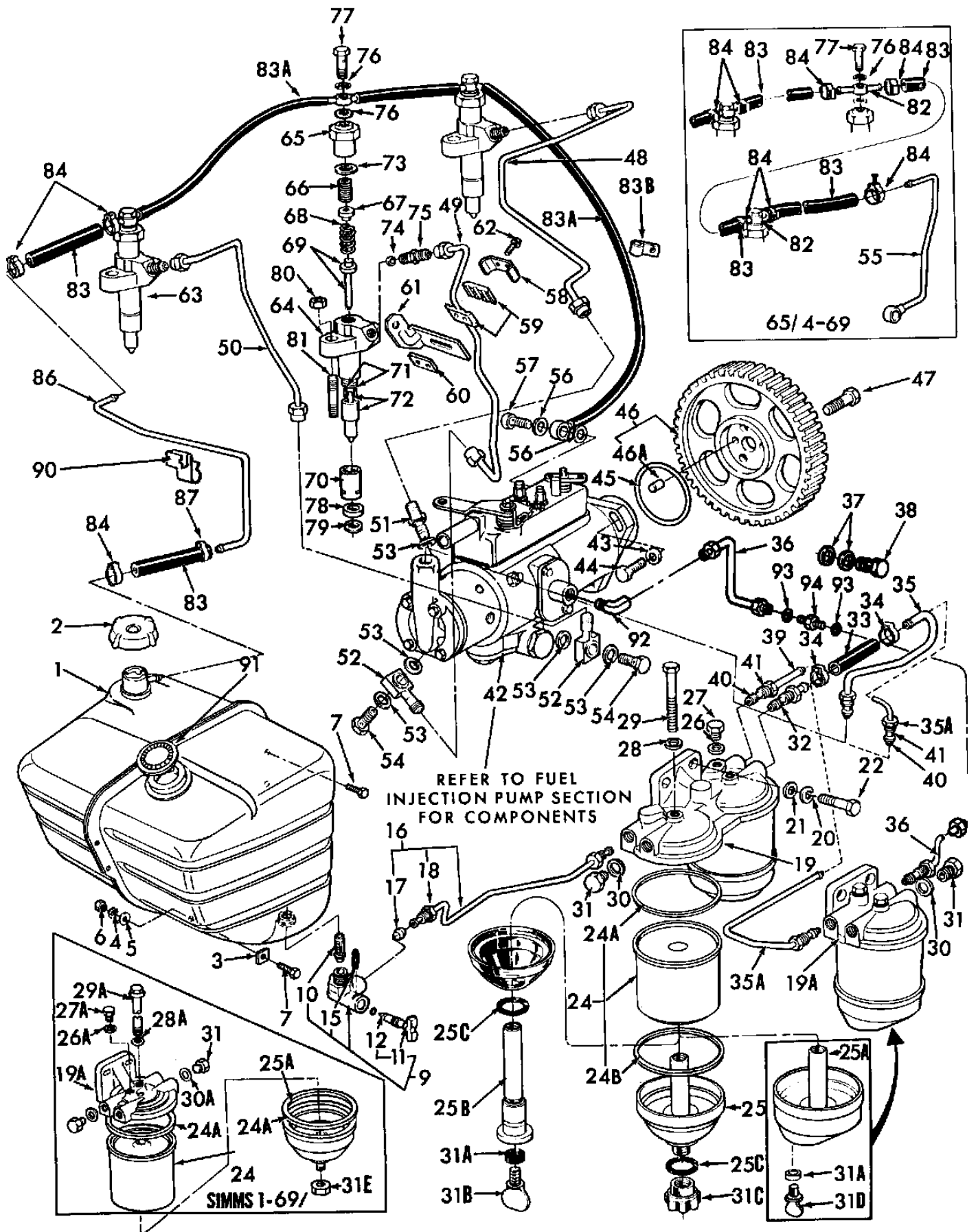
## 3400 3 CYL UTILITY TRACTOR (1/65-9/75)

## 07P01 SELECT-O-SPEED - CONTROL SELECTOR ASSEMBLY &amp; RELATED PARTS - 2000, 3000, 4000

Ref	Part Number	Qty	Description
25	C5NN10N860A	1	Harness Assy., Oil Pressure Warning Lamp Fuse, NH-E Includes: Harness & Ref. 26, No Longer Serviced (NHNA), Start Year: 01/01/1965
26	51A14526B	1	Fuse, Start Year: 01/01/1965
	354307S2	3	Clip, 4200, No Longer Serviced (NHNA), Start Year: 01/01/1966
27	C5NN7A486A	1	Conduit, Control Selector Cable, 12.75", Except 3400, 4200, Start Year: 01/01/1965
27	C5NN7A486E	1	Conduit, Control Selector Cable, 24.34", 4200, NHNA Only, No Longer Serviced, Start Year: 01/01/1966
28	C5NN7A486B	1	Conduit, Control Selector Cable 14.13", 3400, No Longer Serviced (NHNA), Start Year: 01/01/1965
30	C5NNA730U	1	Handle & Slider Assy., 23.43", Replaces P/N C5NN-A730-C, 2110, 2300, 2310, 3100, 3300, 3310, 4110, Start Year: 01/01/1965
30	C5NNA730S	1	Handle & Cable Assy., 24.60", Replaces P/N C5NN-A730-F 3500, 4100, 4400, 4500, No Longer Serviced (NH-E), Start Year: 01/01/1965
30	C5NNA730T	1	Handle & Slider Assy., 25.60", Replaces C5NN-A730-B, 3400, No Longer Serviced (NHNA), Start Year: 01/01/1965
30	C5NNA730K	1	Handle & Slider Assy., 32", Replaces C5NN-A730-J, 4200 Includes: Slider Assy. & Ref.31 thru 35, NHNA Only, No Longer Serviced, Start Year: 01/01/1966
31	C0NNA720A	1	Handle, Feathering Control, Start Year: 01/01/1965
32	88148	1	Pin, Roll, 3/32" x 1/2", Start Year: 01/01/1965
33	NS	1	Spacer, Feathering Control, Not Serviced, Start Year: 01/01/1965
34	PL	1	Washer, Lock, 5/8", Procure Locally, Start Year: 01/01/1965
35	86511416	1	Nut, Jam, G2, 5/8"-18, Start Year: 01/01/1965
36	C5NNA731C	1	Conduit, L/Cable, PTO, 15.23", 2000 Except 2110, No Longer Serviced, Start Year: 01/01/1965
36	C5NNA731B	1	Conduit, L/Cable, PTO, 17.40", 3000 Except 3400, 3500, No Longer Serviced (NH-E), Start Year: 01/01/1965
36	C5NNA731A	1	Conduit, L/Cable, PTO, 16.40", 4000 Except 4110, 4200, Start Year: 01/01/1965
36	C5NNA731A	1	Conduit, L/Cable, PTO, 3500, Start Year: 01/01/1965
36	C5NNA731D	1	Conduit, L/Cable, PTO, 17.40", 3400, No Longer Serviced (NHNA), Start Year: 01/01/1965
36	C5NNA731E	1	Conduit, L/Cable, PTO, 15.23", 2110, 4110, NHNA Only, No Longer Serviced, Start Year: 01/01/1965
36	C5NNA731F	1	Conduit, L/Cable, PTO, 23.86", 4200, NHNA Only, No Longer Serviced, Start Year: 01/01/1966
36	C5NNA731J	1	Conduit, L/Cable, PTO, 4100, NHNA Only, No Longer Serviced, Start Year: 01/01/1966
37	B9NN7A463A	1	Plate, Neutral By-Pass, No Longer Serviced, Start Year: 01/01/1965
38	372839S8	2	Screw, #10-24 x 1/4", No Longer Serviced (NHNA), Start Year: 01/01/1965







## 3400 3 CYL UTILITY TRACTOR (1/65-9/75)

09A03 FUEL SYSTEM, DIESEL, W/ SIMMS INJECTION PUMP - 3000 (1-66/8-69 &amp; 1-70/12-70) 5000, 7000

Ref	Part Number	Qty	Description
46	E3NN9F589CA	1	Gear, Fuel Injection Pump, Start Year: 01/01/1965
48	C5NE9F586A	1	Plate, Injection Pump Gear, Start Year: 01/01/1965
49	82935696	3	Bolt, 5/16"-24 x 1", Start Year: 01/01/1965
50	C5NE9A555E	1	Tube Assy., #1 Cylinder, 3000, Years: 01/01/1966-12/31/1970
50	C7NN9A555G	1	Tube Assy., #1 Cylinder, 3000, Years: 01/01/1971-09/30/1975
50	C5NE9A555F	1	Tube Assy., #1 Cylinder, 5000, 7000, Start Year: 01/01/1965
51	C5NE9A556E	1	Tube Assy., #2 Cylinder, 3000, Years: 01/01/1966-12/31/1970
51	C5NE9A556D	1	Tube Assy., #2 Cylinder, 3000, Years: 01/01/1971-09/30/1975
51	C5NE9A556F	1	Tube Assy., #2 Cylinder, 5000, 7000, Start Year: 01/01/1965
52	C5NE9A557F	1	Tube Assy., #3 Cylinder, 3000, Years: 01/01/1966-12/31/1970
52	C5NE9A557E	1	Tube Assy., #3 Cylinder, 3000, Years: 01/01/1971-09/30/1975
52	C5NE9A557G	1	Tube Assy., #3 Cylinder, 5000, 7000, Start Year: 01/01/1965
53	C5NE9A558B	1	Tube Assy., #4 Cylinder, 5000, 7000, Start Year: 01/01/1965
54	377486S36	1	Clip, Tube to Manifold, Start Year: 01/01/1965
55	C5NE9E320B	1	Insert, Fuel Tube Clip, Start Year: 01/01/1965
56	351370S43	1	Washer, Flat, 5/16", Start Year: 01/01/1965
57	372287S36	1	Screw & Lockwasher Assy., 5/16"-18 x 3/4", Start Year: 01/01/1965
58	377487S36	1	Clip, Tube to Manifold, Start Year: 01/01/1965
59	C5NE9E322A	1	Insert, Rear, Fuel Tube Clamp, Start Year: 01/01/1965
60	351365S43	1	Washer, .34" I.D. x .75" O.D. x .06", No Longer Serviced (NH-E), Start Year: 01/01/1965
61	372287S36	1	Screw & Lockwasher Assy., 5/16"-18 x 3/4", Start Year: 01/01/1965
62	377485S36	2	Clamp Assy., Injector Tubes, Includes: Clamps & Ref. 62A, Start Year: 01/01/1965
62A	43495S36	1	Screw, HH, W/Washer, #12-24 x 5/8", No Longer Serviced (NHNA), Start Year: 01/01/1965
63	D0NN9F593ARDS	4	Fuel Injector Assy., Rebuilt, 5000, NHNA Only, Years: 01/01/1965-03/31/1968
63	D0NN9F593ARDS	3	Fuel Injector Assy., Rebuilt, 3000, NHNA Only, Years: 01/01/1965-12/31/1970
63	C5NE9F593CRDS	4	Fuel Injector Assy., Rebuilt, 5000, NHNA Only, Start Year: 04/01/1968
63	C9NN9F593BRDS	4	Fuel Injector Assy., Rebuilt, 7000, NHNA Only, Start Year: 10/01/1971
63	D0NN9F593A	4	Fuel Injector Assy., 5000, Years: 01/01/1965-03/31/1968
63	D0NN9F593A	3	Fuel Injector Assy., 3000, Years: 01/01/1966-12/31/1970
63	C9NN9F593B	4	Fuel Injector Assy., 7000, No Longer Serviced (NH-E), Start Year: 10/01/1971
63	C7NN9F593B	4	Fuel Injector Assy., Replaces C7NN9F593D, 5000, Includes: Ref. 64 thru 78, NHNA Only, Start Year: 04/01/1968
64	C5NE9F595A	3/4	Holder Assy., Fuel Injeciton Nozzle, No Longer Serviced (NH-E), Start Year: 01/01/1965
64	C9NN9F595A	4	Holder Assy., Fuel Injection Nozzle, 7000, Includes: Ref. 65 thru 71, No Longer Serviced, Start Year: 10/01/1971
65	E1ADDN993196B	3/4	Nut, Injector Cap, Use W/SIMMS Injector 65/9-71, Years: 01/01/1965-09/30/1971
65	C5NE9H510A	3/4	Nut, Injector Cap, Use W/CAV Injector 65/, No Longer Serviced (NHNA), Start Year: 01/01/1965
66	C5NE9F540A	3/4	Nut, Injection Spring Cap, Start Year: 01/01/1965
65	D1NN9H510A	4	Nut, Injector Cap, 7100,7200, Use W/CAV Injector 65/, No Longer Serviced (NHNA), Start Year: 10/01/1971
66	D1NN9F540A	4	Nut, Injector Spring Cap, Use W/CAV Injector 65/, No Longer Serviced, Start Year: 10/01/1971

CLICK HERE TO **DOWNLOAD** THE COMPLETE MANUAL

- Thank you very much for reading the preview of the manual.
- You can download the complete manual from: [www.heydownloads.com](http://www.heydownloads.com) by clicking the link below



- Please note: If there is no response to CLICKING the link, please download this PDF first and then click on it.

CLICK HERE TO **DOWNLOAD** THE COMPLETE MANUAL

## 3400 3 CYL UTILITY TRACTOR (1/65-9/75)

## 09B02 AIR CLEANER ASSEMBLY, OIL BATH TYPE, DIESEL - EXCEPT 3500, 3550, 4500

Ref	Part Number	Qty	Description
4	C7NN9673A	1	Gasket, Internal 6-1/2", (Part of C5NE-9600-B) Highland Park 3000-4000, NHNA Only, No Longer Serviced, Years: 01/01/1965-11/30/1968
4	C7NN9673A	1	Gasket, Internal 6-1/2" , (Repl. C5NE-9673-B), Highland Park 5000 Gas, NHNA Only, No Longer Serviced, Years: 01/01/1966-05/31/1968
4	FP102	1	Gasket, Internal 7", Highland Park 5000 Diesel, Years: 01/01/1965-05/31/1971
4	FP102	1	Gasket, Internal 7", (Part of C5NE-9600-C), Highland Park 5000 Gas, Years: 06/01/1968-05/31/1971
4	FP102	1	Gasket, Internal 7", Highland Park 4000, Years: 12/01/1968-05/31/1971
4	C5NE9673A	1	Gasket, Internal 6", 2000 Highland Park, NHNA Only, No Longer Serviced, Years: 01/01/1965-05/31/1971
4	C5NE9673A	1	Gasket, Internal 6", (Part of C5NE-9600-A), 3000 Highland Park, NHNA Only, No Longer Serviced, Years: 12/01/1968-05/31/1971
4	D1NN9673B	1	Gasket, Internal 6", 2000-3000 Bas.-Antwerp, Start Year: 01/01/1965
4	D1NN9673B	1	Gasket, Internal 6", (Service C5NE-9600-F), 2000-3000 Highland Park, Start Year: 06/01/1971
4	D1NN9673A	1	Gasket, Internal 7", 4000-5000 Bas.-Antwerp, Start Year: 01/01/1965
4	D1NN9673A	1	Gasket, Internal 7", (Service C5NE-9600-E), 4000-5000 Highland Pk, Start Year: 06/01/1971
5	C5NE9658A	1	Cup, Oil Inner 6", 2000 Highland Park, NHNA Only, No Longer Serviced, Years: 01/01/1965-05/31/1971
5	C5NE9658A	1	Cup, Oil Inner 6", (Part of C5NE-9600-A), 3000 Highland Park, NHNA Only, No Longer Serviced, Years: 12/01/1968-05/31/1971
5	C5NE9658B	1	Cup, Oil Outer 6-1/2", Highland Park 3000-4000, NHNA Only, No Longer Serviced, Years: 01/01/1965-11/30/1968
5	C5NE9658B	1	Cup, Oil Outer 6-1/2", (Part of C5NE-9600-B), Highland Park 5000 Gas, NHNA Only, No Longer Serviced, Years: 01/01/1966-05/31/1968
5	C5NE9658C	1	Cup, Oil Inner 7", Highland Park 5000 Diesel, NHNA Only, No Longer Serviced, Years: 01/01/1965-05/31/1971
5	C5NE9658C	1	Cup, Oil Inner 7", (Part of C5NE-9600-C), Highland Park 5000 Gas, NHNA Only, No Longer Serviced, Years: 06/01/1968-05/31/1971
5	C5NE9658C	1	Cup, Oil Inner 7", Highland Park 400, NHNA Only, No Longer Serviced, Years: 12/01/1968-05/31/1971
5	C7NN9658A	1	Cup, Oil Outer 6", (Part of C5NE-9600-F), 2000, Start Year: 01/01/1965
5	C7NN9658A	1	Cup, Oil Outer 6", (Replaces C5NE-9A633-B), 3000, Start Year: 12/01/1968
5	C7NN9658B	1	Cup, Oil Outer 7", (Part of C5NE-9600-E&H) Basildon 5000,4000, Start Year: 01/01/1965
5	C7NN9658B	1	Cup, Oil Outer 7", (Replaces C5NE-9A633-A), Basildon 3000, Years: 01/01/1965-11/30/1968
5	C7NN9658B	1	Cup, Oil Outer 7", Highland Park 4000-5000, Start Year: 06/01/1971
6	80681	AR	Washer, Lock, 5/16"
7	44711S36	AR	Washer, #9
8	280559	4	Screw, Cap, HH, G5, 5/16"-24 x 3/4", Start Year: 01/01/1965
9	311107	1	Hose, Air Cleaner Tube Connector, 2000 3000 & 4000 Diesel, Start Year: 01/01/1965
9	311107	1	Hose, Air Cleaner Tube Connector, 5000 Gasoline, Years: 01/01/1966-03/31/1968
9	C7NN9N623A	1	Hose, Air Cleaner Tube (2" ID one End 2-1/4" ID other End, 2-3/8" Long), 5100 Gasoline, NHNA Only, No Longer Serviced, Start Year: 04/01/1968
9	C0NN9B641A	1	Hose, Air Cleaner Tube Connector, 5000 Diesel, No Longer Serviced (NH-E), Start Year: 01/01/1965
10	82012730	4	Clamp, Hose, M68-85 (C), Start Year: 01/01/1965
11	C5NN9B642F	1	Tube, Air Cleaner Outlet, 3000, No Longer Serviced (NHNA), Years: 01/01/1965-03/31/1968

## 3400 3 CYL UTILITY TRACTOR (1/65-9/75)

## 09C01 THROTTLE CONTROLS &amp; RELATED PARTS, GASOLINE (PETROL)

Ref	Part Number	Qty	Description
27	D0NN12A457A	1	Rod, Governor to Carb., 2000, 3000, 4000, When replacing P/N C5NE-12A457-B(81806921) use (1) P/N C5NN-9740-A(81811646) Connector. Note: Carburetors stamped W/Prefix C5NE or C5NN use Linkage dated 65/8-68. Carburetors stamped W/Prefix C7NN use Linkage dated 9-68/, Start Year: 01/01/1965
27	C7NN12A457A	1	Rod, Governor to Carb. (12.10"(30.73cm), 5000, NHNA Only, Years: 01/01/1966-12/31/1970
27	D0NN12A457B	1	Rod, Governor to Carb., 5000, No Longer Serviced, Start Year: 01/01/1971
28	34801S36	1	Nut, 1/4" - 28 Hex, No Longer Serviced (NH-E), Start Year: 01/01/1965
29	311924	1	Connector, Control Rod to Carburetor, No Longer Serviced (NH-E), Years: 01/01/1965-12/31/1970
29	C5NN9740A	1	Connector, Control Rod to Carburetor, Includes: Connector Plus Ref. 30, Start Year: 01/01/1971
30	B9NN9A791A	1	Clip, Start Year: 01/01/1965
31	C5NN9700C	1	Control Assy, Carburetor Choke, 2000, 3000 & 4000, Start Year: 01/01/1965
31	C5NN9700E	1	Control Assy, Carburetor Choke, 5000, Start Year: 01/01/1966
32	351452S36	AR	Washer, 1/2" Lock
33	87309	1	Nut, Jam, G2, 1/2"-20, Start Year: 01/01/1965
34	C5NN9D270B	1	Clamp, Choke Control Cable, Except 4200, Years: 01/01/1965-12/31/1973
34	C5NN9D270B	1	Clamp, Choke Control Cable, 5100 W/Power Steering, Years: 01/01/1965-06/30/1970
34	D1NN14N204A	1	Clip, Choke Control Cable, Start Year: 01/01/1974
34	354905S100	1	Clip, Choke Control Cable, 4200, NHNA Only, No Longer Serviced, Start Year: 01/01/1966
	80682	1	Washer, Lock, 1/4", Start Year: 01/01/1966
	87305	1	Nut, Jam, G2, 1/4"-20, Start Year: 01/01/1966
	84467	1	Screw, Truss Hd, G2, 1/4"-20 x 1/2", 4200, Start Year: 01/01/1966
	309803	1	Kit, Governor Linkage Conversion, 2000, 3000, Order Components, NHNA Only, Years: 01/01/1965-10/31/1968
	309806	1	Kit, Governor Linkage Conversion, 4000 Except 4200, NHNA Only, Years: 01/01/1965-10/31/1968
	309805	1	Kit, Governor Linkage Conversion, 4200 Includes: (1) C9NN-9581-A Shaft Assy (1) C7NN-9A722-Y Rod (W/Kit 309805) (1) C7NN-9A722-U Rod (W/Kit 309804) (1) C7NN-9A722-V Rod (W/Kit 309803) (1) C5NN-12N451-A Arm Assy (1) C6NE-12452-A Hsg. &, Order Components, NHNA Only, Years: 01/01/1966-10/31/1968

## 3400 3 CYL UTILITY TRACTOR (1/65-9/75)

## 09D01 CARBURETOR ASSEMBLY, HOLLEY

Ref	Part Number	Qty	Description
39	NLS	1	Bracket Assy., Choke Control Wire, 5000, Includes: Bracket, Ref. 40 & 41, No Longer Serviced, Start Year: 01/01/1966
40	34126S8	1	Nut, Square, #8-32, No Longer Serviced (NHNA), Start Year: 01/01/1965
41	88985	1	Screw, Fillister Hd, #8-32 x 1/2", Start Year: 01/01/1965
42	50517S36	1	Screw, Pan Hd, 1/4"-20 x 1/2", Start Year: 01/01/1965
43	C5NN9549A	1	Plate Assy., Choke, Replaces C5NE9549A, Start Year: 01/01/1965
44	42790S8	2	Screw, Pan Hd, W/Washer, #6-32 x 1/2", No Longer Serviced, Start Year: 01/01/1965
45	82845220	1	Gasket, Carburetor to Intake Manifold, Start Year: 01/01/1965
	CFPN9501A	1	Kit, Carburetor Modification, 2000, Includes:, NHNA Only, No Longer Serviced, Years: 01/01/1965-01/31/1966
	C5NN9A511B	1	Body & Plugs Assy., Metering, No Longer Serviced (NHNA)
	C5NE9A518A	1	Gasket
	C5NN9A519A	1	Spring, No Longer Serviced (NH-E)
	C5NE9561A	1	Gasket, NH-E Only
	CFPN9501B	1	Kit, Carburetor Modification, 3000-4000, Includes:, NHNA Only, No Longer Serviced, Years: 01/01/1965-01/31/1966
	C5NN9A511A	1	Body & Plugs Assy., Metering, No Longer Serviced (NHNA)
	C5NE9A518A	1	Gasket, No Longer Serviced (NH-E)
	C5NN9A519A	1	Spring, No Longer Serviced (NH-E)
	C5NE9561A	1	Gasket, NH-E Only

## 3400 3 CYL UTILITY TRACTOR (1/65-9/75)

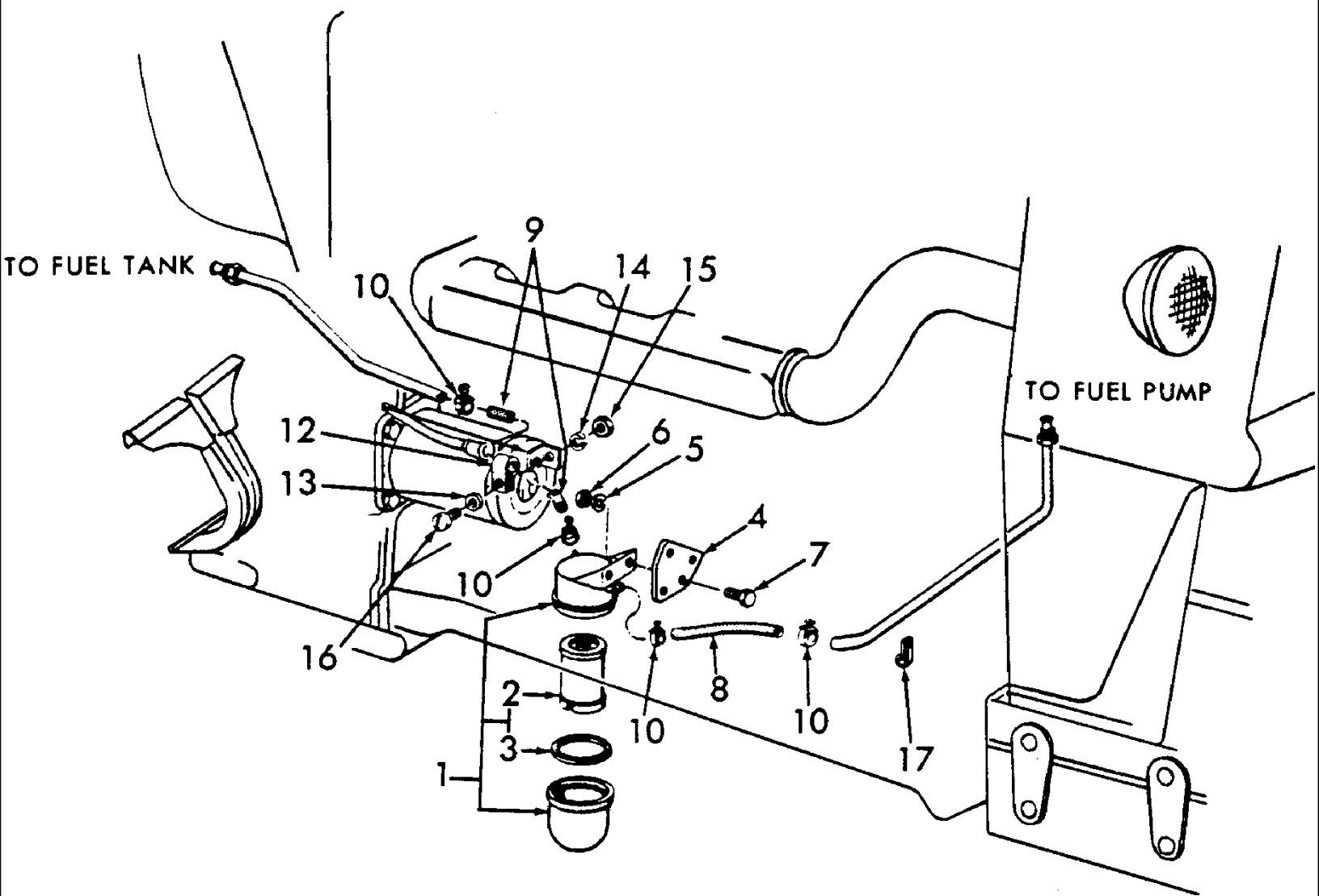
## 09E01 CAV FUEL INJECTION PUMP, DIESEL - 2000, 3000, 4000 (65/) 5000 (11-72/)

Ref	Part Number	Qty	Description
91	380429S15	1	Washer, Flat, Stop Arm, 5/16", Start Year: 01/01/1965
92	D6NN9C555A	1	Spring, Pump Governor, No Longer Serviced (NHNA), Start Year: 01/01/1965
93	C5NE9K585A	1	Spring, Pump Idling, No Longer Serviced (NHNA), Start Year: 01/01/1965
94	C5NE9K579A	1	Guide, Pump Idling Spring, No Longer Serviced (NHNA), Start Year: 01/01/1965
95	C5NE9C535A	1	Cover, Pump Governor, No Longer Serviced (NHNA), Start Year: 01/01/1965
96	377502S43	1	Bolt, Hex Fluid Type, M10 x 1.5 x 19mm, Start Year: 01/01/1965
97	D1NN9N025A	2	Washer, Flat, M10-1, Start Year: 01/01/1965
98	380407S15	1	Screw, HH, #10-32 x 1.00, No Longer Serviced, Start Year: 01/01/1965
98A	380402S15	1	Screw, HH, #10-32 x 1.50, No Longer Serviced, Start Year: 01/01/1965
99	380412S15	2	Nut, Hex, #10-32, Start Year: 01/01/1965
100	380425S43	2	Washer, .194 I.D. x .312 O.D. x .056, Start Year: 01/01/1965
101	C5NE12B466A	1	Sleeve, Pump Locking, No Longer Serviced (NHNA), Start Year: 01/01/1965
102	C7NN9H501A	1	Housing & Piston Assy., Automatic Advance, Replaces P/N C5NE-9H501-A, 2000-3000-4000, No Longer Serviced, Start Year: 01/01/1965
102	D2NN9H501A	1	Housing & Piston Assy., Automatic Advance, 5000, No Longer Serviced, Start Year: 11/01/1971
103	81810932	1	Gasket, Autmatic Advance Housing, Start Year: 01/01/1965
104	D1NN9G597A	1	Stud, Housing to Body, 5/16"24, 7/16"-20 x .905, Use W/# D1NN-9G593-A, Washer, Replaces P/N 380408-S15, No Longer Serviced (NHNA), Start Year: 01/01/1965
105	81811694	1	Nut, Hex Cap, 5/16"-24, Start Year: 01/01/1965
106	81811703	1	Washer, Automatic Advance Cap Nut, U.K.-Antwerp, Years: 01/01/1965-07/31/1971
106	81811703	1	Washer, Automatic Advance Cap Nut, Must Use W/# 380427-S, Start Year: 08/01/1971
106	81811703	1	Washer, Automatic Advance Cap Nut, Must Use W/# 380427-S, Start Year: 01/01/1965
107	81810977	1	Screw, Fuel Injection Pump Cam Advance, Start Year: 01/01/1965
108	C7NN9K525A	1	Spring, Autmatic Advance Piston, Outer, Replaces P/N C5NE-9K525-A, No Longer Serviced, Start Year: 01/01/1965
109	C5NE9H503A	1	Spring, Automatic Advance Piston, Inner, 2000, No Longer Serviced (NHNA), Start Year: 01/01/1965
109	C5NE9H503A	1	Spring, Automatic Advance Piston, Inner, 3000, No Longer Serviced (NHNA), Start Year: 01/01/1965
109	C5NE9H503A	1	Spring, Automatic Advance Piston, Inner, No Longer Serviced (NHNA), Years: 01/01/1965-03/31/1968
110	D8NN9N696AA	1	Plug, Hex, 13/16"-20, No Longer Serviced (NHNA), Start Year: 01/01/1965
111	81812975	1	Seal, Piston Plug, Start Year: 01/01/1965
112	C5NE9K596A	1	Cap, Automatic Advance Piston Spring, 2000-3000-4000, No Longer Serviced (NHNA), Years: 01/01/1965-01/31/1973
112	D2NN9K596A	1	Cap, Automatic Advance Piston Spring, FTO-E, 2000-3000-4000, No Longer Serviced (NHNA), Start Year: 02/01/1973
112	D2NN9K596B	1	Cap, Automatic Advance Piston Spring, 5000, No Longer Serviced (NHNA), Start Year: 11/01/1972
113	81812975	1	Seal, Spring Cap, Start Year: 01/01/1965
114	C5NE9H549A	1	Screw, Piston Spring Cap, No Longer Serviced (NHNA), Years: 01/01/1965-01/31/1973
114	D2NN9H549A	1	Screw, #10-32UNF, Piston Spring Cap, No Longer Serviced (NH-E), Start Year: 02/01/1973
115	380561S	1	Washer, Piston Spring Cap Screw, Years: 01/01/1965-01/31/1973
115	D2NN9N640A	1	O-Ring, Piston Spring Cap Screw, No Longer Serviced, Start Year: 02/01/1973
116	380431S2	AR	Shim, .004 Thick, No Longer Serviced, Start Year: 01/01/1965

## 3400 3 CYL UTILITY TRACTOR (1/65-9/75)

## 09F01 FUEL PUMP ASSEMBLY, GASOLINE (PETROL)

Ref	Part Number	Qty	Description
	F2NN9350AA	1	Pump Assy., Fuel Includes: Ref. 1 thru 16, NHNA Only, Start Year: 01/01/1965
1	C5NE9375A	1	Body Assy., Fuel Pump Lower, Start Year: 01/01/1965
2	C5NE9400B	1	Rod, Push, Fuel Pump, No Longer Serviced, Start Year: 01/01/1965
3	PL	1	Pin, Push Rod to Diaphragm, NHNA Only, Start Year: 01/01/1965
4	C5NE9A417A	1	Spring, Fuel Pump Operating Rod, Inner, Start Year: 01/01/1965
5	C5NE9396A	1	Spring, Fuel Pump Diaphragm, No Longer Serviced (NH-E), Start Year: 01/01/1965
6	C5NE9A415A	1	Seat, Operating Rod Return Spring, No Longer Serviced, Start Year: 01/01/1965
7	C5NE9A416A	1	Retainer, Return Spring Seat, No Longer Serviced (NH-E), Start Year: 01/01/1965
8	C5NE9398A	1	Diaphragm Assy., Fuel Pump, Start Year: 01/01/1965
9	C5NE9368A	1	Screen, Fuel Pump, Start Year: 01/01/1965
10	C5NE9343A	1	Body & Plugs Assy., Fuel Pump Upper, Start Year: 01/01/1965
11	PL	1	Screw & Washer Assy., Pan Hd., Upper to Lower Body, M5 x 12, NHNA Only, Start Year: 01/01/1965
12	C5NE9A359A	1	Cover, Fuel Pump, Start Year: 01/01/1965
13	C5NE9A420A	1	Gasket, Fuel Pump Cover, Start Year: 01/01/1965
14	C5NE9A419A	1	Gasket, Fuel Pump Cover Screw, Start Year: 01/01/1965
15	PL	1	Screw, HH, M5 x 18, NHNA Only, Start Year: 01/01/1965
16	80681	2	Washer, Lock, 5/16", Start Year: 01/01/1965
17	9635884	2	Screw, Cap, HH, G5, 5/16"-18 x 1", Start Year: 01/01/1965
18	377196S	2	Elbow, 90°, Inlet & Outlet Connection, U.S., No Longer Serviced (NHNA), Start Year: 01/01/1965
18	87382S	2	Elbow, 90°, U.K.-Antwerp, No Longer Serviced (NH-E), Start Year: 01/01/1965



## 3400 3 CYL UTILITY TRACTOR (1/65-9/75)

## 11A01 ELECTRICAL SYSTEM, RH, NHNA

Ref	Part Number	Qty	Description
1	372047S100	AR	Clip, Start Year: 01/01/1965
	9628503	2	Nut, G5, 3/8"-16, W/O Loader, 4500, Start Year: 01/01/1965
	88434	2	Screw, Cap, HH, G5, 3/8"-16 x 3/4", W/O Loader, 4500, Start Year: 01/01/1965
2	375911S100	2	Clip, Headlamp to Loader Post, 4500, No Longer Serviced (NH-E), Start Year: 01/01/1965
3	251405	1	Switch Assy., Lighting, Includes:, NHNA Only, Start Year: 01/01/1965
	D4AB14A094ZA	1	Fuse Assy., 25 Amp., Start Year: 01/01/1965
4	D4NN14421A	1	Terminal Assy., Light Switch, Start Year: 01/01/1965
5	C5NN11662A	1	Nut, Lighting Switch, 9/16"-28, Start Year: 01/01/1965
6	C5NN11666B	1	Knob Assy., Lighting, Includes: Knob & Ref. 16, Start Year: 01/01/1965
7	372769S36	1	Screw, Hex Headless, #8-32 x .19, Start Year: 01/01/1965
8	7000201	1	Cable Assy., Headlamp, 4500, NHNA Only, Start Year: 01/01/1965
9	C5NN13N035A	2	Conduit, Headlamp Wire, 8.75" (22.23cm), 4500, NHNA Only, No Longer Serviced, Start Year: 03/01/1966
10	310068	2	Headlamp Assy., See Fig. 11A2, Start Year: 01/01/1965
11	378173S43	1	Clip, Ground Cable to Starter Relay Bracket, NHNA Only, No Longer Serviced, Start Year: 01/01/1965
12	F120DS	1	Battery Assy., 80 Amp. Hour, Dry, Standard W/ 2000-3000, Gas & Diesel, 4000-5000, Gas, NHNA Only, Start Year: 01/01/1965
12	F150DS	1	Battery Assy., 128 Amp. Hour, Dry, Standard W/ 4000-5000, Optional W/2000-3000, NHNA Only, Start Year: 01/01/1965
12	F165DS	1	Battery Assy., 73 Amp. Hour, Dry, 5200 Standard Gas, Optional Diesel, NHNA Only, Start Year: 09/01/197
13	NLS	1	Cable Assy., Battery to Relay, 36.00" (91.4cm), 5100 {67NY14300A}, Mexico Only, Start Year: 01/01/1968
13	D8NN14N330DA	1	Cable Assy., Battery to Relay, 36.50", Diesel, NHNA Only, Start Year: 01/01/1965
13	D8NN14N330DA	1	Cable Assy., Battery to Relay, 36.50", 5200 Gasoline, NHNA Only, Years: 06/01/1971-11/30/1972
13	D1NN14300E	1	Cable Assy., Battery to Relay, 24.5" (622.3mm), Battery & 4-1/2" Starter, 3400 Gasoline, Start Year: 01/01/1965
13	D1NN14300E	1	Cable Assy., Battery to Relay, 24.5" (622.3mm), Use W/4-1/2" (11.43cm) Starter, 5000 Gasoline, Years: 01/01/1965-05/31/1971
13	D1NN14300E	1	Cable Assy., Battery to Relay, 24.5" (622.3mm), 2000-3000-4000 Gasoline, Years: 01/01/1965-10/31/1972
13	D2NN14300A	1	Cable Assy., Battery to Starter Motor, 33", Use W/73 Amp. Battery & 4-1/2" Starter, 5200 Gasoline, NHNA Only, Start Year: 12/01/1972
13	D2NN14300A	1	Cable Assy., Battery to Starter Motor, 33", Use W/73 Amp. Use W/4-1/2" (11.43cm) Starter, 3400 Gasoline, Includes: Cable & Ref. 62 & 63, NHNA Only, Start Year: 11/01/1972
14	C5NN14277B	1	Boot, Cable, Straight, Start Year: 01/01/1965
14	D5NN14277B	1	Boot, Cable, 180°, Start Year: 01/01/1965
14	NLS	1	Cover, Cable, 5100 {C5TF14277C}, Mexico Only, Start Year: 01/01/1968
14	NLS	1	Cover, Terminal, 5100 {67NY14277A}, Mexico Only, Start Year: 01/01/1968
15	C7NN14321A	1	Cover, Starter Cable Terminal, Replaces CONN14321A, Start Year: 01/01/1965
	9635082	1	Nut, G5, 5/16"-18, Start Year: 01/01/1965
	9706690	1	Nut, CL 8, M8 x 1.25, Start Year: 01/01/1965
	E6NN10B659AB	1	Bolt, Square Hd., 5/16"-18 x 1-1/4", Start Year: 01/01/1965
	E6NN10B659AB	1	Bolt, M8 x 32, Start Year: 01/01/1965
16	D1NN14301L	1	Cable Assy., Battery to Ground, 48.5" (123.19cm), 5000 Gasoline, Years: 01/01/1965-05/31/1968



3400 3 CYL UTILITY TRACTOR (1/65-9/75)

11B03 SPECIAL HEADLAMPS, FRANCE - ITALY (65/), NETHERLANDS (1965)

**NO ART REQUIRED**

## 3400 3 CYL UTILITY TRACTOR (1/65-9/75)

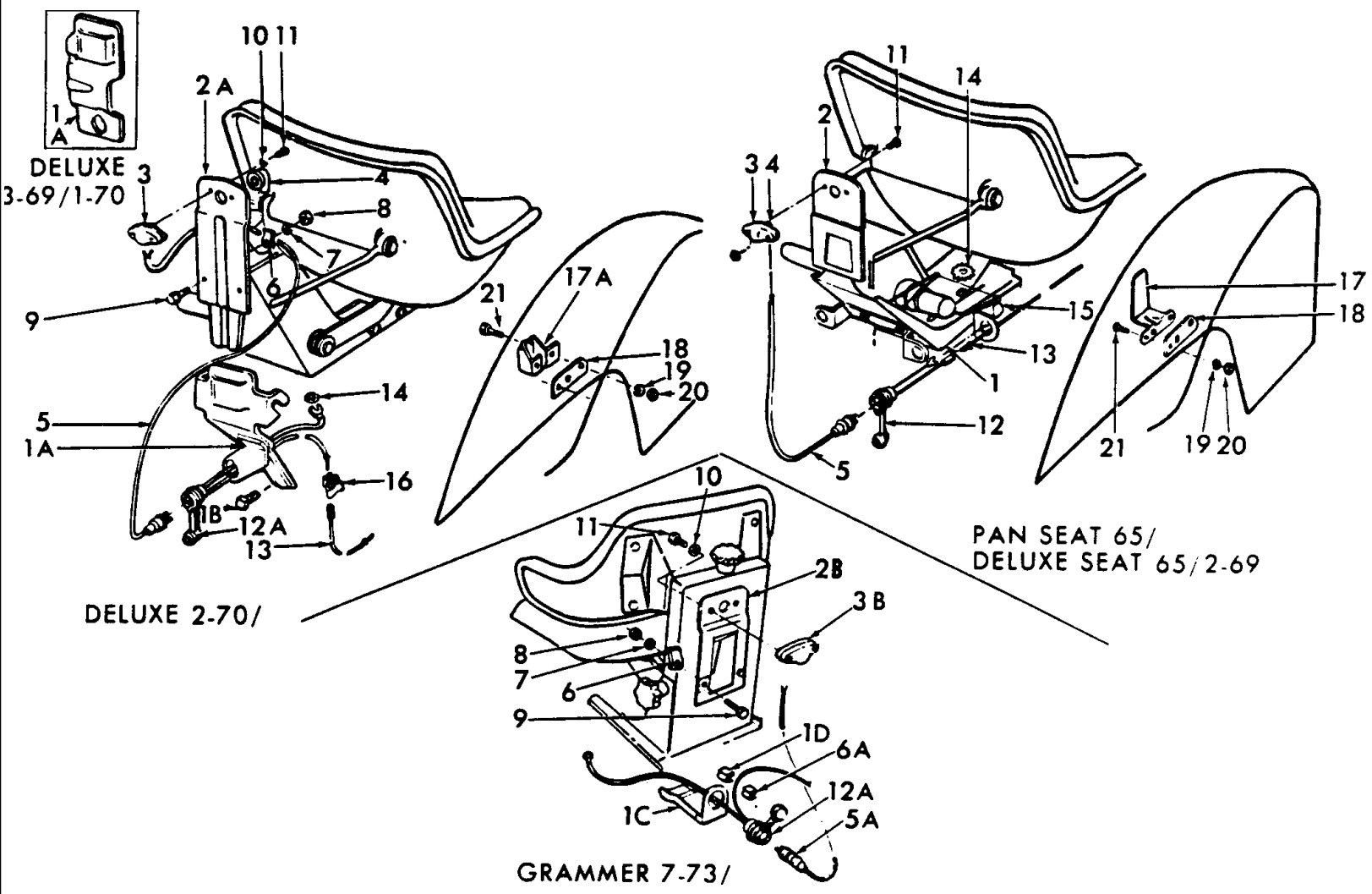
## 11C01 REAR LAMPS, FLASHER &amp; WIRING

Ref	Part Number	Qty	Description
	370211S	AR	Grommet, Rear Fender Wiring, Italy, w/Wide Fenders, Start Year: 01/01/1974
		2	Clip, Wire to Fender, Italy, w/Wide Fenders, NH-E Only, Start Year: 01/01/1974
	9672276	4	Washer, Lock, Int T, 3/8", Italy, W/Wide Fenders, Start Year: 01/01/1974
	C9NN13N332A	4	Nut, Lamps to Fenders, Italy, w/Wide Fenders, Start Year: 01/01/1974
		1	Trailer Socket & Rear Lamp Wire Assy., LH, Italy, w/Wide Fenders, 2100-3100, NH-E Only, No Longer Serviced, Start Year: 01/01/1974
		1	Trailer Socket & Rear Lamp Wire Assy., LH, Italy, w/Wide Fenders, 3055-4100, NH-E Only, No Longer Serviced, Start Year: 01/01/1974
		1	Trailer Socket & Rear Lamp Wire Assy., LH, Italy, w/Wide Fenders, 5100-7100, NH-E Only, No Longer Serviced, Start Year: 01/01/1974
		1	Rear Lamp Wire Assy., RH, Single 130.0", Italy, w/Wide Fenders, NH-E Only, Start Year: 01/01/1974
		2	Rear Lamp to Parking Lamp Wire Assy., Italy, w/Wide Fenders, 7100, NH-E Only, No Longer Serviced, Start Year: 01/01/1974
38		1	Ground Wire Assy., Trailer Lamp Socket, Except 3400,3500,4400,4500, NH-E Only, No Longer Serviced, Start Year: 01/01/1965
38		1	Ground Wire Assy., Trailer Lamp Socket, 3400,3500,4400,4500, NH-E Only, No Longer Serviced, Years: 01/01/1965-12/31/1970
38		1	Ground Wire Assy., Trailer Lamp Socket, 3400,3500,4400,4500, NH-E Only, No Longer Serviced, Start Year: 01/01/1971
39	D0NN13N359B	2	Flasher Lamp Assy., NH-E Only, No Longer Serviced, Start Year: 01/01/1972
39	D0NN13N359B	2	Flasher Lamp Assy., Includes: Holder & Ref. 40 thru 45, NH-E Only, Years: 01/01/1965-12/31/1971
40		2	Turn Signal Indicator Body Assy., NH-E Only, No Longer Serviced, Start Year: 01/01/1965
41	81AG13466AA	2	Bulb, Flasher, 21 Watt, NH-E Only, Start Year: 01/01/1972
42	C5NN13N218A	2	Mount, Bulb, NH-E Only, No Longer Serviced, Start Year: 01/01/1965
43	957E13230	2	Mount, Lens, Start Year: 01/01/1965
44	C5NN13N219A	2	Lens, Amber, No Longer Serviced (NHNA), Start Year: 01/01/1965
45	C5NN13N800B	2	Contact & Wire Holder Assy., Japan, Morocco, La Reunion, Tunisia, No Longer Serviced, Start Year: 01/01/1965
	80682	AR	Washer, Lock, 1/4"
	7770	AR	Nut, Hex, 1/4"-20
	84467	4	Screw, Truss Hd, G2, 1/4"-20 x 1/2", Years: 01/01/1965-12/31/1971
	57307S36	4	Screw, Pan Hd, W/Washer, G5, 1/4"-20 x 3/4", Lamp to Fender, Start Year: 01/01/1972
		1	Rear Harness to Light Switch Wire Assy., Brown, 9" (22.86cm) Lg., 4400,4500, NH-E Only, No Longer Serviced, Start Year: 01/01/1965
		1	Rear Harness to Light Switch Wire Assy., Brown, 9" (22.86cm) Lg., Except 4400,4500, NH-E Only, No Longer Serviced, Years: 01/01/1965-05/31/1968
46	C5NN14N000N	2	Parking Lamp Wire Assy., Red/Blue, 57" (144.78cm) Lg., Ireland & Spain, Replaces C5NN14N000AD, 2000,3000, No Longer Serviced, Start Year: 01/01/1965
46	C7NN14N000A	2	Single Wire Assy., Red/Brown, 60" (152.4cm) Lg., Ireland & Spain, 4000,5000, NH-E Only, Years: 01/01/1965-03/31/1968
47	C5NN14N000AE	2	Single Wire Assy., Green, 51" (129.54cm) Lg., Ireland, NH-E Only, Years: 01/01/1965-03/31/1968

## 3400 3 CYL UTILITY TRACTOR (1/65-9/75)

## 11C02 REAR LAMPS &amp; WIRING (NH-E) - 3400, 4000

Ref	Part Number	Qty	Description
30		2	Clip, Wiring Conduit to Rear Axle Housing, No Longer Serviced (NH-E), Start Year: 01/01/1965
30		2	Clip, Wiring Conduit, L/Stop Lights, Except 4400-4500, NH-E Only, No Longer Serviced, Start Year: 01/01/1965
30		2	Clip, Wiring Conduit, 4400-4500, NH-E Only, No Longer Serviced, Years: 01/01/1965-12/31/1968
30		1	Clip, Wiring Conduit, 4400-4500, NH-E Only, No Longer Serviced, Start Year: 01/01/1969
30	NLS	4	Clip, Conduit, 3400 {C5NN14N199H}, No Longer Serviced, Start Year: 01/01/1966
31	C5NN14N204A	AR	Clip, Conduit to Platform, No Longer Serviced (NHNA), Start Year: 01/01/1965
31	NLS	1	Clip, Conduit to Platform, 3400 {377870S36}, No Longer Serviced, Start Year: 01/01/1966
31A	C5NN14N199G	1	Clip, Wiring Conduit, Conduit to RH Platform, 4400-4500, No Longer Serviced (NHNA), Start Year: 01/01/1965
31A	E9NN14N199AA	1	Clip, Wiring Conduit to RH Platform, 3400-4100, Start Year: 04/01/1968
31A		2	Clip, Wiring Conduit to Hydraulic Top Cover, 4400-4500, NH-E Only, No Longer Serviced, Start Year: 01/01/1965
32	C5NN14488A	1/2	Connector, Wire, 4 Way Female, France & Italy, NH-E Only, No Longer Serviced, Start Year: 01/01/1965
33		2	Cover, Wiring Connector, France & Italy, NH-E Only, No Longer Serviced, Start Year: 01/01/1965
34	E8NN13200AA	1	Lamp, Reflector & Bracket Assy., Rear, RH, 3400-4400-4500, Start Year: 01/01/1965
35	E8NN13201AA	1	Lamp, Reflector & Bracket Assy., Rear LH, 3400-4400-4500 Includes: Holder, Connector & Ref. 36 thru 45, No Longer Serviced, Start Year: 01/01/1965
36	957E13230	1	Bracket & Body Assy., RH, 3400-4400-4500, Years: 01/01/1965-12/31/1971
37	NLS	1	Bracket & Body Assy., LH, 3400-4400-4500 {957E13280}, Years: 01/01/1965-12/31/1971
38	E2NN13465AA	2	Bulb Assy., 3400-4400-4500, Start Year: 01/01/1965
39	957E13230	4	Mounting, Lens, 3400-4400-4500, Start Year: 01/01/1965
40	957E13450	2	Lens, Red, 3400-4400-4500, Start Year: 01/01/1965
41	957E13208	2	Lens, White, 3400-4400-4500, Start Year: 01/01/1965
42	E93A14463B	2	Terminal, Wiring, Eyelet Type, 3400-4400-4500, No Longer Serviced (NHNA), Start Year: 01/01/1965
43	E80NC1	2	Reflector Assy., 3400,4400,4500, No Longer Serviced, Start Year: 01/01/1965
44	87812	2	Washer, Lock, #8, 3400-4400-4500, Start Year: 01/01/1965
45	87653	2	Nut, #8-32, 3400-4400-4500, Start Year: 01/01/1965
46	B16386	2	Grommet, Lamp to Fender, 3400-4400-4500, Start Year: 01/01/1965
47	85700573	4	Washer, Lock, Ext T, 1/4", 3400-4400-4500, Start Year: 01/01/1965
48	7770	4	Nut, Hex, 1/4"-20, 3400-4400-4500, Start Year: 01/01/1965
49	84467	4	Screw, Truss Hd, G2, 1/4"-20 x 1/2", 3400-4400-4500, Start Year: 01/01/1965
	C5NN14N000AG	1	Single Wire Assy., Green/Yellow, w/Stop Lights, 30" (76.2cm) Lg., Except Wide Fenders, United Kingdom & Ireland, NH-E Only, Years: 01/01/1965-03/31/1968
		1	Single Wire Assy., Trailer Socket to Fender, Green/Yellow, w/Stop Lights, 43" (109.22cm), Except Wide Fenders, United Kingdom & Ireland, NH-E Only, No Longer Serviced, Start Year: 04/01/1968
	D0NN14N000E	1	Single Wire Assy., Trailer Socket to Side Lights, Red, w/Stop Lights, 49", Replaces C5NN14N000AJ, NH-E Only, Start Year: 01/01/1965
	C5NN14N000AF	1	Single Wire Assy., Feed to Stop Lamp Switch, w/Stop Lights, Except Wide Fenders, United Kingdom & Ireland, NH-E Only, Years: 01/01/1965-03/31/1968



## 3400 3 CYL UTILITY TRACTOR (1/65-9/75)

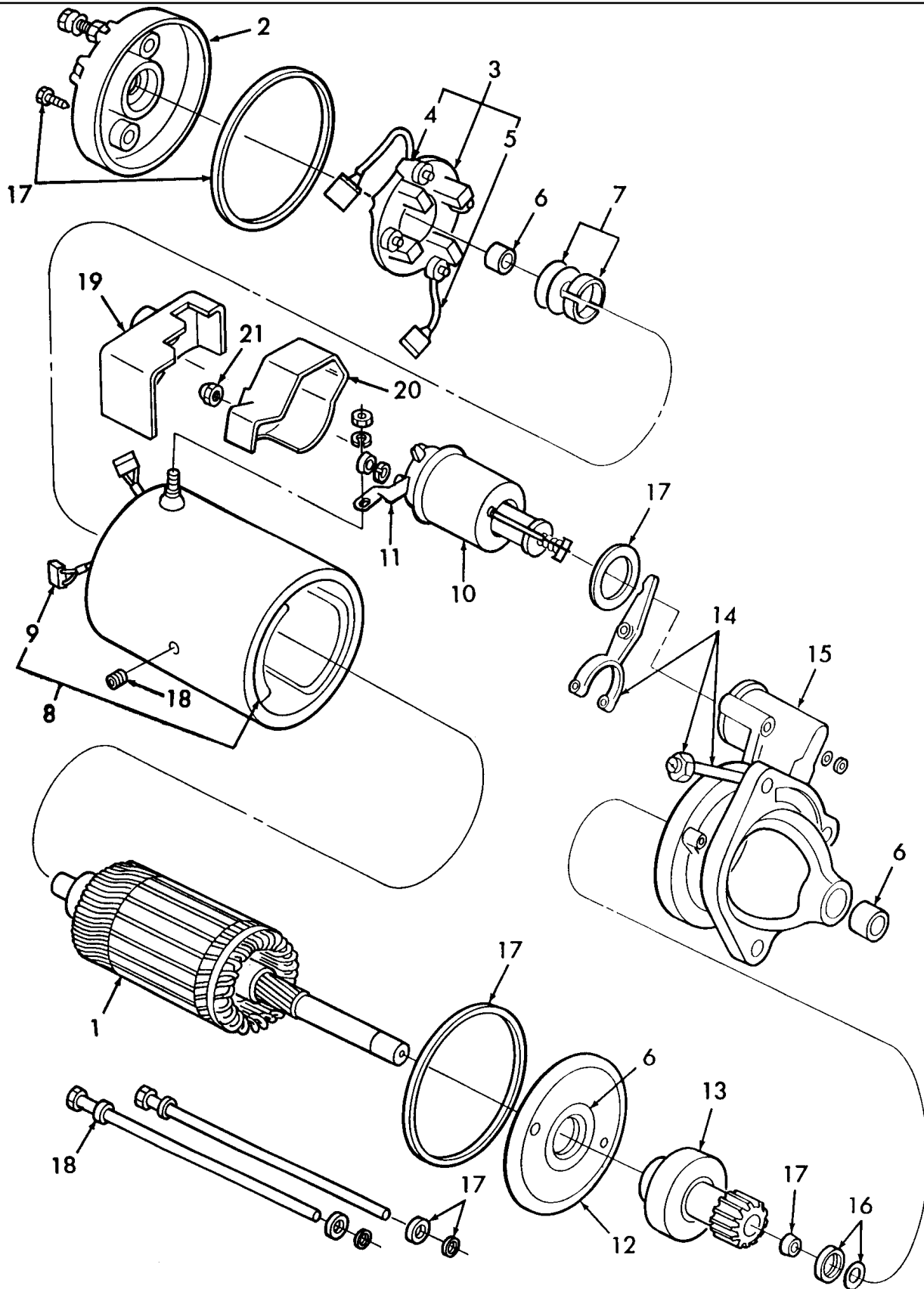
## 11D02 BATTERY &amp; BATTERY SUPPORT - 5000 GASOLINE (PETROL) &amp; ALL DIESEL

Ref	Part Number	Qty	Description
1		1	Dry Battery Assy., 80 A.H., Except U.S., Replaces C5NN10657G, Standard w/2000 & 3000 Diesel & 5000 Gasoline, Optional w/4000, NH-E Only, Start Year: 01/01/1965
1	82995740	1	Dry Battery Assy., 128 A.H., Except U.S., Standard w/4000-5000-7000 Diesel, Optional w/2000-3000, Start Year: 01/01/1965
1	F120DS	1	Dry Battery Assy., 80 A.H., U.S., Optional 4000, Standard 2000-3000, 5000 Gasoline Except 10 Speed, Optional Diesel, NHNA Only, Start Year: 01/01/1965
1	F120DS	1	Dry Battery Assy., U.S., , 5200 Standard Gasoline, Optional Diesel, NHNA Only, Years: 01/01/1965-08/31/1971
1	F165DS	1	Dry Battery Assy., 73 A.H., U.S., 5200 Standard Gasoline, Optional Diesel, NHNA Only, Start Year: 09/01/1971
1	F150DS	1	Dry Battery Assy., 128 A.H., U.S., Optional 2000-3000, Optional 5000 Gasoline, Standard 4000-5000-7000 Diesel & 5000 Gasoline w/10 Speed, NHNA Only, Start Year: 01/01/1965
1	F100DS	1	Dry Battery Assy., Economy, NHNA Only, Start Year: 01/01/1965
1	NLS	1	Dry Battery Assy., 128 A.H., Consists of Battery Plus: {71NY10657A}, Mexico Only, Start Year: 01/01/1968
1A		6	Filler Plug Assy., Except U.S., NH-E Only, No Longer Serviced, Start Year: 01/01/1965
1A	D8PF10720DA	6	Filler Cap Assy., U.S., No Longer Serviced, Start Year: 01/01/1965
1A	C9PF10720A	6	Filler Cap Assy., Non-Spill, Start Year: 01/01/1965
2	E5NN10769BA	1	Rear Bracket Assy., 2000-3500-4000, Start Year: 01/01/1965
2	E5NN10769AA	1	Rear Bracket Assy., 5100-7100, Start Year: 01/01/1965
2	C7NN10769A	1	Bracket Assy., Replaces C5NN10769R, 5200-7200, NHNA Only, No Longer Serviced, Start Year: 01/01/1967
2	D1NN10769A	1	Rear Bracket Assy., 3000, No Longer Serviced, Start Year: 01/01/1965
3	81547	4	Washer, Lock, 7/16", Start Year: 01/01/1965
4	280244	4	Screw, Cap, HH, G5, 7/16"-14 x 3/4", Start Year: 01/01/1965
5	C5NN10723H	1	Battery Tray Assy., 128 A.H., Replaces C5NN10723G, Standard w/4000, Optional w/2000-3000-5000 Diesel, Years: 01/01/1965-01/31/1967
5	D3NN10723A	1	Battery Tray Assy., 73 & 80 A.H., 2000-3000-4000-5000 Gas, Start Year: 01/01/1966
5	E4NN10723AA	1	Battery Tray Assy., 128 A.H., Start Year: 01/01/1967
6	C5NN10N765C	2	Pad, Tray, 8" (20.32cm) Lg., U.S., No Longer Serviced, Start Year: 01/01/1965
7	D6NN10716C	1	Clamp, Hold Down, 128 A.H. Battery, Start Year: 01/01/1965
7	D6NN10716A	1	Clamp, Hold Down, 80 A.H. Battery, Except 5200 Gasoline, Replaces C5NN10716B, Start Year: 01/01/1965
7	D6NN10716A	1	Clamp, Hold Down, 80 A.H. Battery, 5200 Gasoline, Years: 01/01/1967-03/31/1971
7	D6NN10716C	1	Hold Down Clamp Assy., 128 A.H. Battery, Mexico, Mexico Only, Start Year: 01/01/1968
7	C5AB10755A	1	Bracket, Hold Down, 73 A.H. Battery, 5200 Gasoline, NHNA Only, No Longer Serviced, Start Year: 04/01/1971
8	86531712	2	Rod, Hold Down Yoke, 80 & 128 A.H. Battery, Except 5200 Gasoline, Start Year: 01/01/1965
8	86531712	2	Rod, Hold Down Yoke, 80 & 128 A.H. Battery, 5200 Gasoline, Years: 01/01/1967-03/31/1971
8	D0AB10756A	2	Rod, Clamp, 73 A.H. Battery, 5200 Gasoline, NHNA Only, No Longer Serviced, Start Year: 04/01/1971
9	87362	2	Washer, SAE, 5/16", Start Year: 01/01/1965
10	383705S36	2	Nut, Lock, Hex, 5/16"-18, Start Year: 01/01/1965
11	C5NN10N680B	1	Pin, Tray, 8" Long x .75 ID, Replaces C5NN10N680A, Start Year: 01/01/1965

## 3400 3 CYL UTILITY TRACTOR (1/65-9/75)

11F03 STARTING MOTOR, DRIVE &amp; RELAY ASSY., 4-1/2" DIA. - 2000, 3000 DIESEL (1-73/) 5000 GASOLINE (12-72/)

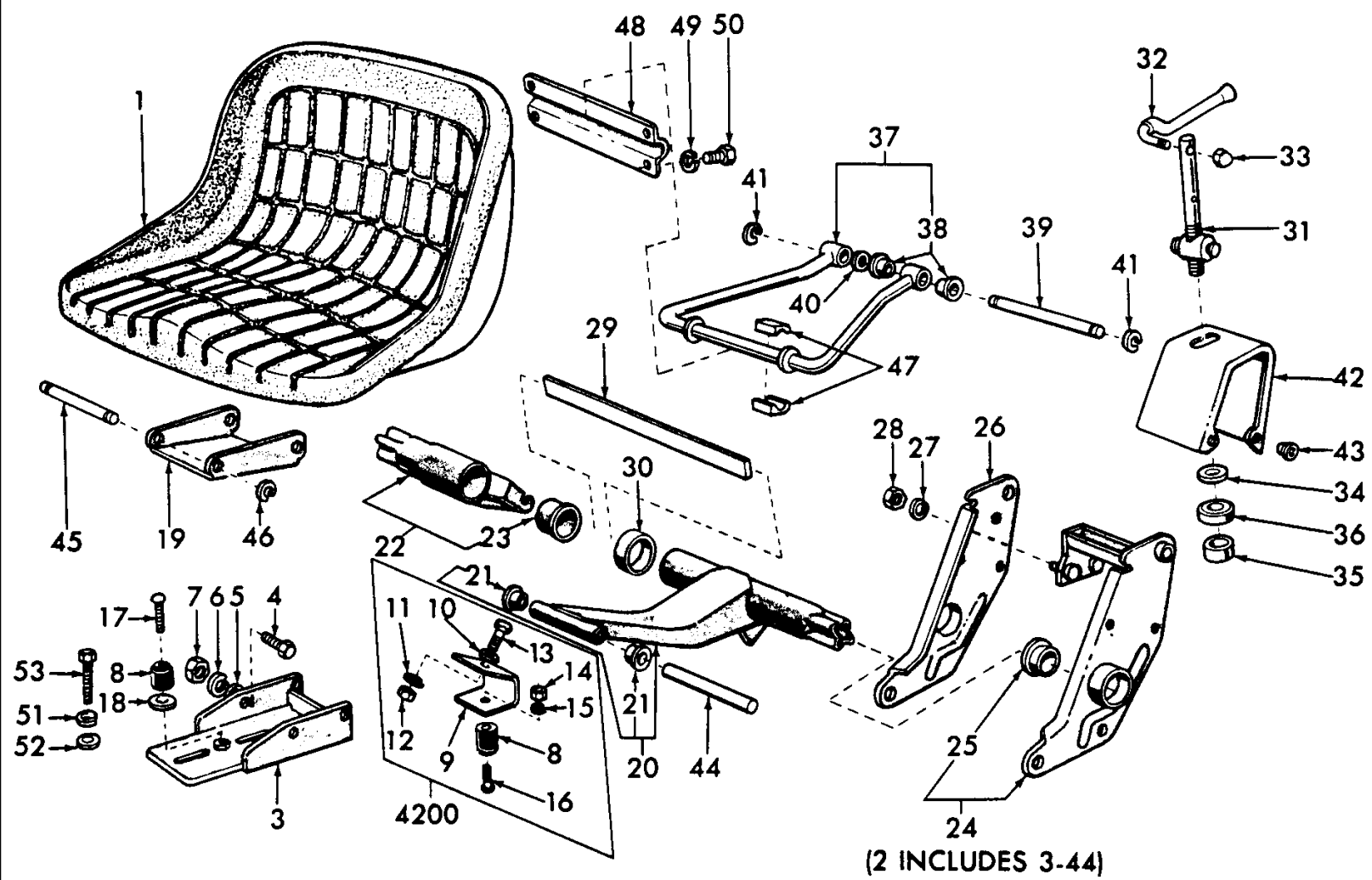
Ref	Part Number	Qty	Description
	D8NN11000DA	1	Starting Motor Drive & Relay Assy., 4-1/2" Dia., 2000, 3000, Includes: Ref. 1 & 2, Ref. to Flg. 11F3C, Start Year: 01/01/1973
	D8NN11000DA	1	Starting Motor Drive & Relay Assy., 4-1/2" Dia., 5000, Includes: Ref. 1 & 2, Ref. to Flg. 11F3C, Start Year: 12/01/1972
1	D2NN11005A	1	Armature Assy., Includes: Armature plus Ref. 2, Start Year: 01/01/1973
2	D2NN11360A	1	Pin, Drive Shaft Drift, Start Year: 01/01/1973
3	D2NN11050A	1	Plate Assy., Brush End, Includes: Plate & Ref. 3A thru 6, Start Year: 01/01/1973
3A	D2NN11A022A	1	Dowel, Start Year: 01/01/1973
4	NSS	1	Bushing, Start Year: 01/01/1973
5	2701E11059A	4	Spring, Start Year: 01/01/1973
6	D2NN11055A	1	Brush Set, Consists of (4) Brushes, Start Year: 01/01/1973
	E4NN11A018BA	1	Kit, Drive Brake Shoe, 4-1/2" & 5" Dia. Includes: Shoe & Ref. 8 thru 14, Start Year: 01/01/1965
	NSS	2	Shoe, Drive Brake, 4-1/2" & 5" Dia., Start Year: 01/01/1965
8	C5NF11A020A	2	Spring, Brake Shoe, 4-1/2" & 5" Dia., Start Year: 01/01/1965
9	C5NF11036B	1	Washer, Thrust, Metal, Start Year: 01/01/1965
10	C5NF11036D	1	Washer, Thrust, Fabric, Start Year: 01/01/1965
11	C5NF11415A	4	Screw, Pole Shoe, 3/8"-16 x 1/2", Start Year: 01/01/1965
12	D3NN11N020A	1	Terminal, Field, Start Year: 01/01/1973
12A	C5NF11094B	2	Washer, Terminal Insulating, Start Year: 01/01/1965
12C	C5NF11107A	1	Insulator, Field Terminal, Start Year: 01/01/1965
13	C5NF11094A	3	Washer, Insulating, Start Year: 01/01/1965
13A	80701	3	Washer, 1/4", Start Year: 01/01/1965
13B	80682	2	Washer, Lock, 1/4", Start Year: 01/01/1965
13C	C5NF11A112A	2	Nut, Hex, 1/4"-26, Terminal, Start Year: 01/01/1965
14	D2NN11082A	1	Coil Assy., Field Complete, Includes: Coil & Ref. 15 thru 18A, Start Year: 01/01/1973
15	D2NN11055A	1	Brush Set, Consists of 4 Brushes, Start Year: 01/01/1973
16	C9NN11N017A	1	Grommet, Starter Index Coil Lead, Replaces C5NF11441A, No Longer Serviced, Years: 01/01/1965-04/30/1971
16	D1NN11N017A	1	Grommet, Starter Index Coil Lead, Start Year: 05/01/1971
16A	C5NF11074A	1	Insulator, Field Coil, No Longer Serviced (NHNA), Years: 01/01/1965-04/30/1971
16A	D1NN11074A	1	Insulator, Field Coil, Start Year: 05/01/1971
17	C5NF11036C	AR	Washer, Thrust, .010 (.254mm) Thick, Start Year: 01/01/1965
18	D2NN11395A	1	Plate Assy., Center Bearing, Includes: Ref. 19, Start Year: 01/01/1973
19	NSS	1	Bearing, Rear End Plate, Start Year: 01/01/1965
20	D2NN11350C	1	Drive Assy., Start Year: 01/01/1973
21	C5NF11166A	1	Collar, Drive Pinion Stop, Start Year: 01/01/1965
22	C5NF11223B	1	Retainer, Drive Stop Collar, Start Year: 01/01/1965
23	D2NN11067A	1	Lever Assy., Drive Assy. Control, Start Year: 01/01/1973
24	D8NN11139AA	1	Pin, Lever, Start Year: 01/01/1965
24A	D2NN11A115A	1	Nut, Hex, 1/2"-26, Lever Pivot, Start Year: 01/01/1965
25	D8NN11440AA	1	Grommet, Relay Housing Seal, Start Year: 01/01/1965

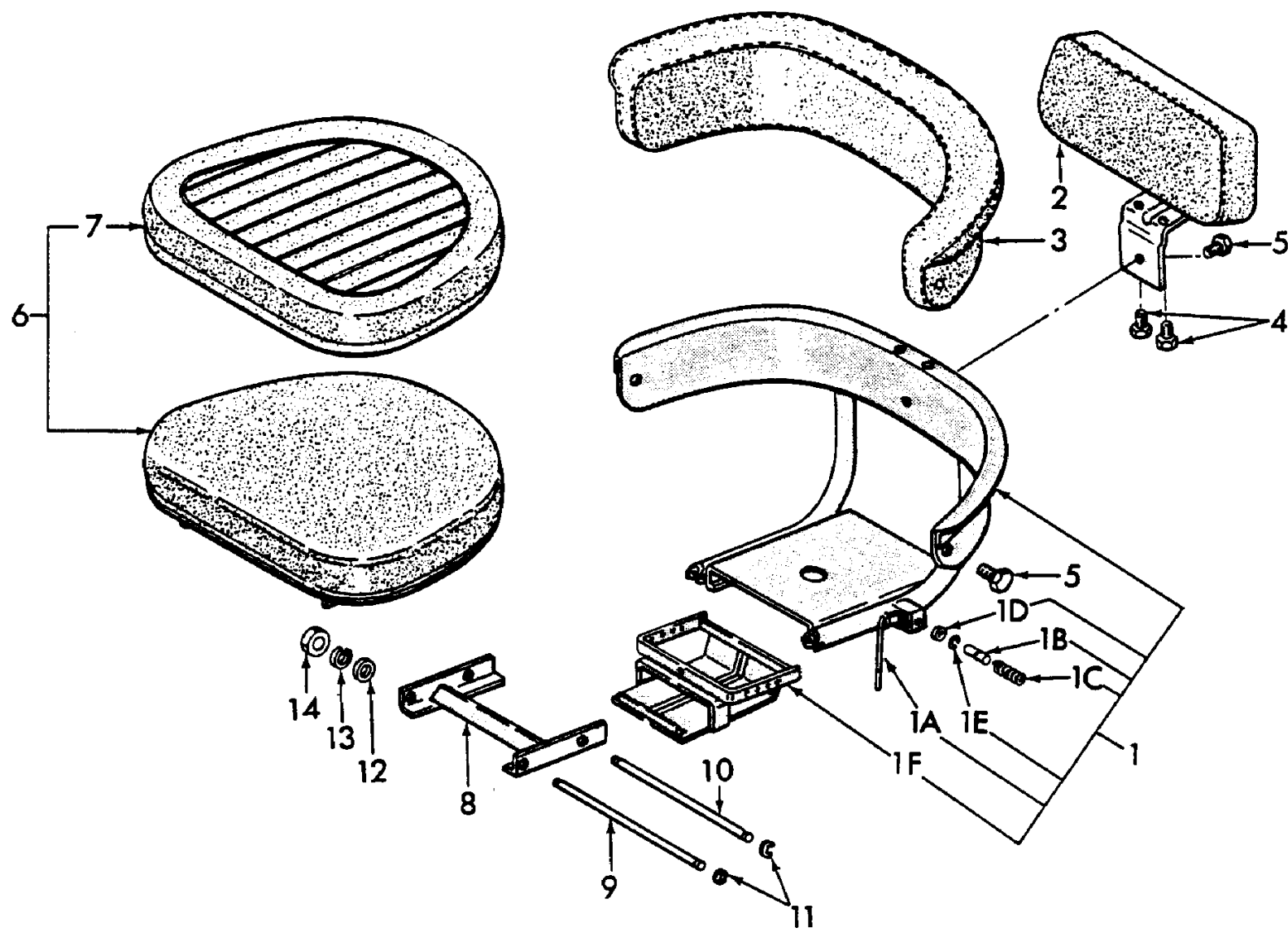


## 3400 3 CYL UTILITY TRACTOR (1/65-9/75)

## 11H03 FRONT MOUNTED HEADLAMPS, NETHERLANDS, FRANCE &amp; U.S., BELGIUM, ISRAEL, SWEDEN, FINLAND &amp; NORWAY

Ref	Part Number	Qty	Description
13	81821693	2	Washer, Lock, 3/8", Years: 01/01/1966-03/31/1968
14	9628503	2	Nut, G5, 3/8"-16, Years: 01/01/1966-03/31/1968
15	C5NN13N066B	2	Sleeve, Mounting, No Longer Serviced, Years: 01/01/1966-03/31/1968
16	7703464	2	Grommet, Mounting, Years: 01/01/1966-03/31/1968
17	87016	2	Washer, SAE, 3/8", Start Year: 01/01/1966
18	81821693	2	Washer, Lock, 3/8", Start Year: 01/01/1966
19	9628503	2	Nut, G5, 3/8"-16, Start Year: 01/01/1966
20	88044	2	Screw, Cap, HH, G5, 3/8"-16 x 1-1/2", 2000-3000, Years: 01/01/1966-03/31/1968
20	88044	2	Screw, Cap, HH, G5, 3/8"-16 x 1-1/2", 4000-5000, Start Year: 01/01/1965
20	88434	2	Screw, Cap, HH, G5, 3/8"-16 x 3/4", 2000-3000, Start Year: 04/01/1968
21	D6NN13N073A	2	Spacer, Mounting Bracket Pivot, 1.41" Lg. Replaces P/N C7NN13N073A, No Longer Serviced, Start Year: 04/01/1968
21	C5NN13N073A	2	Spacer, Mounting Bracket Pivot, 1.25" Lg., No Longer Serviced, Start Year: 04/01/1968
22	C7NN13N005B	2	Bracket, Mounting, No Longer Serviced, Start Year: 04/01/1968
22		2	Bracket, Mounting, Use in Belgium, Israel, Sweden, Finland & Norway, No Longer Serviced (NH-E), Start Year: 01/01/1970
23	86529539	2	Washer, Lock, Int T, 1/4", Start Year: 04/01/1968
24	7770	2	Nut, Hex, 1/4"-20, Start Year: 04/01/1968
25	87405	2	Screw, Cap, HH, G5, 1/4"-20 x 2-1/4", No Longer Serviced (NHNA), Start Year: 04/01/1968





## 3400 3 CYL UTILITY TRACTOR (1/65-9/75)

## 14A01 FENDERS, PLATFORM, TOOL BOX &amp; RELATED PARTS - 2000, 3000 EXCEPT 3550 &amp; 4110

Ref	Part Number	Qty	Description
14	C5NN16451BY	1	Platform Assy., LH, W/Handbrake, U.S., 2000-3000-4110, Start Year: 01/01/1965
14	C5NN16451BY	1	Platform Assy., W/or L/Handbrake, 3400-3500, Start Year: 01/01/1965
14	C5NN16451AJ	1	Platform, LH, L/Handbrake & Raised Fenders, W/10 Speed,, 2300-3300, No Longer Serviced, Start Year: 01/01/1965
14	C5NN16451AS	1	Platform, LH, W/Handbrake & Raised Fenders, L/10 Speed, 2300-3300, No Longer Serviced, Start Year: 01/01/1965
14	C5NN16451AZ	1	Platform, LH, L/Handbrake, W/Raised Fenders, W/10 Speed, 2300-3300, No Longer Serviced, Start Year: 01/01/1965
14	C5NN16451AY	1	Platform, LH, W/Handbrake & Raised Fenders, L/10 Speed, 2300-3300, No Longer Serviced, Start Year: 01/01/1965
14	C5NN16451AL	1	Platform, LH, L/10 Speed, 2310-3310, No Longer Serviced, Start Year: 01/01/1965
14	D2NN16451B	1	Platform, LH, W/10 Speed, 2310-3310, NH-E Only, No Longer Serviced, Start Year: 01/01/1965
14A	C7NN16451D	1	Platform, LH, W/U.K. Wide Fenders & Handbrake, Start Year: 01/01/1965
14A	C7NN16451E	1	Platform, LH, L/Handbrake, NH-E, Start Year: 01/01/1965
14B	C5NN2B184B	1	Platform, LH, W/U.K. Wide Fenders & Handbrake, U.S., Start Year: 01/01/1965
14B	D0NN16N524B	1	Extension Assy., Platform, RH, W/Safety Frame/Cab, Basildon-Antwerp, 2100-3100, NH-E Only, No Longer Serviced, Start Year: 08/01/1970
14B	D1NN16N525A	1	Platform Extension Assy., LH, W/Safety Frame/Cab, Basidon-Antwerp, 2100-3100, NH-E Only, No Longer Serviced, Start Year: 08/01/1970
15	C5NN16N475N	1	Support Assy., Platform, Rear, LH, L/Handbrake, No Longer Serviced, Start Year: 01/01/1965
15	C5NN16N475G	1	Support Assy., Platform, Rear, LH, W/Handbrake, Start Year: 01/01/1965
15	C5NN16N475T	1	Support Assy., Platform, Rear, LH, W/Handbrake, L/10 Spd. & Handbrake (U.S.) 3400-3500, No Longer Serviced, Start Year: 01/01/1965
15A	C5NN16487A	1	Support Assy., Platform, Rear, LH, W/Handbrake, (U.K.), No Longer Serviced (NHNA), Start Year: 01/01/1965
16	80664	2	Washer, 5/16", Start Year: 01/01/1965
17	80681	2	Washer, Lock, 5/16", Start Year: 01/01/1965
18	86629539	2	Nut, G5, 5/16"-24, Start Year: 01/01/1965
19	350476S36	2	Bolt, 5/16-24 x .88 (Run. Board LH to Support) Carr., Start Year: 01/01/1965
20	81821693	2	Washer, Lock, 3/8", Start Year: 01/01/1965
20	81547	2	Washer, Lock, 7/16", Start Year: 01/01/1965
21	304666S36	2	Screw, Cap, HH, G5, 3/8"-16 x 7/8", Rear LH Support to Hsng, Start Year: 01/01/1965
21	9627887	2	Screw, Cap, HH, G5, 7/16"-14 x 1-1/4", Rear LH Support to Hsg, 2310 -3310 W/10 Spd, Start Year: 01/01/1965
22	81821693	2	Washer, Lock, 3/8", Start Year: 01/01/1965
23	304666S36	2	Screw, Cap, HH, G5, 3/8"-16 x 7/8", Front LH Board to Hsng, Start Year: 01/01/1965
23	NLS	2	Riser, Platform Foot Support, 2100-3100, Sweden, Austria {C9NN16523A}, Start Year: 01/01/1970
23	80664	4	Washer, 5/16", Sweden, Start Year: 01/01/1970
23	80681	4	Washer, Lock, 5/16", Sweden, Start Year: 01/01/1970
23	9635082	4	Nut, G5, 5/16"-18, Sweden, Start Year: 01/01/1970
23	280497	4	Bolt, Carriage, Short Neck, G5, 5/16"-18 x 3/4", Carr., Sweden, Start Year: 01/01/1970

## 3400 3 CYL UTILITY TRACTOR (1/65-9/75)

## 14B02 ENGINE HOOD, GRILLE &amp; RELATED PARTS - 5100 GASOLINE &amp; ALL DIESEL, EXCEPT 4200, 5200 &amp; 7200

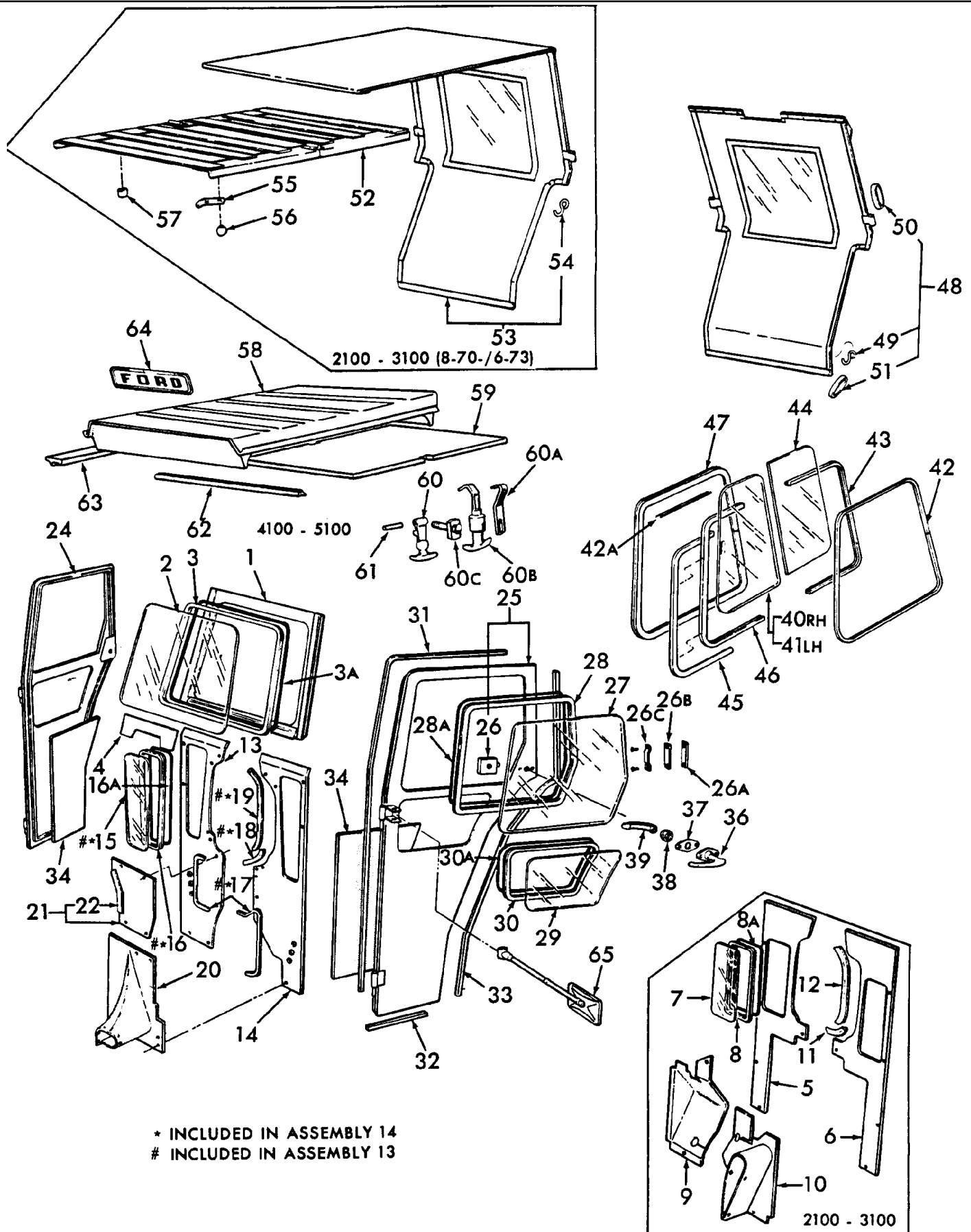
Ref	Part Number	Qty	Description
1	C5NN8N202AH	1	Radiator Shell Assy., 4100 & 5100, No Longer Serviced, Years: 01/01/1965-03/31/1968
1	C5NN8N202BT	1	Radiator Shell Assy., 2000-3000-4110, No Longer Serviced (NH-E), Years: 01/01/1965-03/31/1968
1	C5NN8N202BT	1	Radiator Shell Assy., W/Wet Air Clean, 3400, No Longer Serviced (NH-E), Years: 01/01/1965-03/31/1969
1	D4NN8N202J	1	Radiator Shell Assy., W/Dry Air Clean, 3400, Also use D5NN-8200-C (83905164) Grille Assy., W/Inset Lights or D5NN-8200-A (83905165) L/Inset Lights, No Longer Serviced, Years: 01/01/1965-03/31/1968
1	C5NN8N202CS	1	Radiator Shell Assy., 4400, No Longer Serviced, Years: 01/01/1965-03/31/1968
1A	D4NN8N202D	1	Radiator Shell Assy., Dry Air Cleaner, 2000-3000-4140, Also use D5NN-8200-C (83905164) Grille Assy., W/Inset Lights or D5NN-8200-A (83905165) L/Inset Lights, Start Year: 04/01/1968
1A	D0NN8N202K	1	Radiator Shell Assy., 4100-5100, Start Year: 04/01/1968
1A	D0NN8N202K	1	Radiator Shell Assy., W/Wet Air Cleaner, 4400, Start Year: 01/01/1965
1A	D4NN8N202C	1	Radiator Shell Assy., Wet, 2000-3000-4110-4140, Also use D5NN-8200-C (83905164) Grille Assy., W/Inset Lights or D5NN-8200-A (83905165) L/Inset Lights, Start Year: 04/01/1968
1A	D4NN8N202C	1	Radiator Shell Assy., Germany, Years: 04/01/1968-12/31/1971
1A	D5NN8N202G	1	Radiator Shell Assy., Germany, 4100-5100, Also use D5NN-8200-C (83905164) Grille Assy., W/Inset Lights or D5NN-8200-A (83905165) L/Inset Lights, Start Year: 01/01/1972
1A	D4NN8N202J	1	Radiator Shell Assy., 6" Hole, L.H. Side, W/Dry Air Cleaner, 3400-4110-4410, Also use D5NN-8200-C (83905164) Grille Assy., W/Inset Lights or D5NN-8200-A (83905165) L/Inset Lights, No Longer Serviced, Start Year: 04/01/1968
1A	C7NN8N202N	1	Radiator Shell Assy., W/Dry Air Cleaner, 4400, No Longer Serviced, Start Year: 04/01/1968
1A	D0NN8N202F	1	Radiator Shell Assy., 7100, No Longer Serviced, Start Year: 01/01/1971
1A	D4NN8N202T	1	Radiator Shell Assy., W/Dual Power, 7000, Also use D5NN-8200-C (83905164) Grille Assy., W/Inset Lights or D5NN-8200-A (83905165) L/Inset Lights, Start Year: 06/01/1973
1B	C5NN8N209C	2	Plug, Radiator Shell, 1/2", L/Side Headlamps, Start Year: 01/01/1965
1C	C5NN8N209E	2	Plug, Radiator Shell Air Cleaner, 2-3/4", 3400 & 4400, No Longer Serviced, Start Year: 01/01/1965
2	81541	2	Washer, 7/16", 2000-3000, Start Year: 01/01/1965
2	80702	4	Washer, 3/8", 4000-5000-7000, Start Year: 01/01/1965
3	280244	2	Screw, Cap, HH, G5, 7/16"-14 x 3/4", Rad. Shell to Axle, 2000-3000, Start Year: 01/01/1965
3	88434	4	Screw, Cap, HH, G5, 3/8"-16 x 3/4", Radiator Shell to Axle, 4000-5000-7100, Start Year: 01/01/1965
4	D7NN8A256A	1	Seal, Air Upper, Center, .62 x .62 x 20.50, Start Year: 01/01/1965
5	D7NN8A256A	2	Seal, Air Deflector Sd., .62 x .62 x 20.50, 2000-3000-4140, Start Year: 01/01/1965
6	C5NN8348A	2	Seal, Air Deflector Side, 1-1/4" x 1-1/2" x 16-1/2" 4000-5000-7100, Start Year: 01/01/1965
7	C5NN16N655B	12	Pad, Hood to Radiator Shell, Start Year: 01/01/1965
8	C5NN8202AA	1	Radiator Grille Assy., Lower, L/Inset Lights, Years: 01/01/1965-03/31/1968
8	C5NN8202AD	1	Radiator Grille Assy., Lower, W/Inset Lights, No Longer Serviced (NHNA), Years: 01/01/1965-03/31/1968
8A	D1NN8151AY	1	Grille, Radiator, Lower, W/External Lights, 1 Piece, 3400-4400-4410, Start Year: 04/01/1968
8A	D1NN8151A	1	Grille, Radiator, Lower, W/External Lights, 1 Piece,, Start Year: 04/01/1968
8A	D1NN8151B	1	Grille, Radiator, Lower, W/Inset Lights, 1 Piece, Start Year: 04/01/1968
8C	C7NN8A067A	2	Clip, Radiator Grille, Start Year: 04/01/1968
8D	97411S36	2	Ring, Snap, 3/8", Clip, Years: 04/01/1968-04/30/1970
9	C5NN16N655B	4	Pad, Radiator Grille Mounting, Years: 01/01/1965-03/31/1968
10	C5NN8N212B	2	Nut, Lower Grille Mounting, Screw, Years: 01/01/1965-03/31/1968

FOR 3500, 3550 &amp; 4500 SHELL &amp; GRILLE, SEE FIG. 14E1 OR 14E2

3400 3 CYL UTILITY TRACTOR (1/65-9/75)

15B02 WINDSHIELD WIPER MOTOR KIT (ACCESSORY) (NH-E) (65/7-70)

Ref	Part Number	Qty	Description
	NS	AR	Kit, Windshield Wiper Motor, Includes: Ref. 1 thru 9, NHNA Only, No Longer Serviced, Years: 01/01/1965-07/31/1970
1		1	Motor Assy., Wiper, Replaces C5NN17504A, NH-E Only, No Longer Serviced, Years: 01/01/1965-07/31/1970
2	C5NN17A463A	1	Arm, Windshield Wiper, NH-E Only, No Longer Serviced, Years: 01/01/1965-07/31/1970
3	PL	1	Blade, Windshield Wiper, NHNA Only, No Longer Serviced, Years: 01/01/1965-07/31/1970
4	C5NN14N000BD	1	Wire Assy., Single, NH-E Only, No Longer Serviced, Years: 01/01/1965-07/31/1970
5	C5NN14N107E	1	Fuse & Wire Assy., Includes: Wire & Ref. 6, NH-E Only, No Longer Serviced, Years: 01/01/1965-07/31/1970
6	279863	1	Fuse, 5 Amp., Years: 01/01/1965-03/31/1968
6	FFC14599B	1	Fuse, 7 Amp., Years: 04/01/1968-07/31/1970
7	117818ES2	1	Clip, Wire to Cab Body, Years: 01/01/1965-07/31/1970
8	NLS	8	Clip, Wire to Cab Body {E42JA9}, Years: 01/01/1965-07/31/1970
9		4	Screw, Self-Tapping, Clip to Body, 1/4"-20 x 1/2", U.K., Antwerp, NH-E Only, No Longer Serviced, Years: 01/01/1965-07/31/1970
	D5NN14N031B	1	Terminal, Male Blade, Years: 01/01/1965-07/31/1970
	E0A19550	AR	Fluid, Windshield Washer, Accessory, NH-E Only, No Longer Serviced, Start Year: 01/01/1965
	E2094T9	1	Kit, Windshield Washer, Accessory, NH-E Only, No Longer Serviced, Start Year: 01/01/1970



Ref. 13-22, 58, 59, 60, and 61-63 are listed for Standard Model # 4100, 5100, & 7100 only.

## 3400 3 CYL UTILITY TRACTOR (1/65-9/75)

## 15B05 TRACTOR SAFETY FRAME &amp; ELECTRICAL SYSTEM, NH-E, 2000, 3000, 4100, 5100 &amp; 7100

Ref	Part Number	Qty	Description
40	D2NN13N407C	1	Lamp Assy., Stop & Rear, LH, Replaces D0NN13N407B, 2120-3120, Includes: Body and Ref. 41-47, NH-E Only, NOTE: Stop & Rear Lamps not serviced in assemblies for 4100-5100. Use Lamp Components shown on Fig. 11C., Start Year: 08/01/1970
41	E2NN13465AA	2	Bulb Assy., 12 Volt, 6 Watt, L/Stop Lights, Replaces D2NN13466A, Start Year: 08/01/1970
41	82AG13464AA	2	Bulb, 12 Volt, 24 Watt, W/Stop Lights, Years: 08/01/1970-12/31/1972
41	82AG13464AA	2	Bulb Assy., 12 Volt, 21.5 Watt, W/Stop Lights, Start Year: 01/01/1973
42	C5NN13461A	2	Gasket, Lamp Lens, No Longer Serviced (NH-E), Start Year: 08/01/1970
42	D2NN13461A	2	Gasket, Lamp Lens, W/Wide Fenders, 4100-5100-7100, Start Year: 01/01/1973
42	D8NN13N475AA	2	Gasket, Lamp Mounting, W/Wide Fenders, 4100-5100-7100, Start Year: 01/01/1973
43	E8NN13N407AA	1	Lens Assy., RH, L/Stop Lights, W/U.K. Fenders, Start Year: 08/01/1970
43	D2NN13444B	1	Lens Assy., RH, W/Stop Lights, W/U.K. Fenders, No Longer Serviced (NHNA), Start Year: 08/01/1970
44	E8NN13N407AA	1	Lens Assy., LH, L/Stop Lights, W/U.K. Fenders, Start Year: 08/01/1970
44	E8NN13N407AA	1	Lens Assy., LH, L/Stop Lights, W/U.K. Fenders, Start Year: 08/01/1970
44	D2NN13445B	1	Lens Assy., LH, W/Stop Lights, W/U.K. Fenders, Start Year: 08/01/1970
44	D2NN13444C	2	Lens Assy., LH & RH, L/Stop Light, W/Wide Fenders, 4100-5100-7100, Start Year: 01/01/1973
44	D2NN13444C	2	Lens Assy., LH & RH, W/Stop Light, W/Wide Fenders, 4100-5100-7100, Start Year: 01/01/1973
45	359826S	4	Washer, Lens to Body, No Longer Serviced, Start Year: 08/01/1970
46		4	Screw, Pan Hd., Lens to Body, #8-32 x 5/8", NH-E Only, Start Year: 08/01/1970
46	E6NN13N416AA	4	Screw, Lens to Body, W/Wide Fenders, 4100-5100-7100, Start Year: 01/01/1973
47		2	Grommet, Lamp Wiring, L/Stop Lights, NH-E Only, No Longer Serviced, Start Year: 08/01/1970
47	C7NN13091C	2	Grommet, Lamp Wiring, W/Stop Lights, Start Year: 08/01/1970
49	D0NN14N000A	1	Wire Assy., Rear Lamp, RH, L/Turn Signals, 60" (1524.0mm), 2000-3000, NH-E Only, Start Year: 08/01/1970
49		1	Wire Assy., Rear Lamp, L/Turn Signals, 72" (1828.3mm), 4100-5100-7100, NH-E Only, No Longer Serviced, Start Year: 08/01/1970
49	D0NN16N406M	1	Harness Assy., Rear Lamp, RH, W/Turn Signals, 2000-3000, NH-E Only, Start Year: 08/01/1970
49	D0NN16N406R	1	Harness Assy., Rear Lamp, RH, W/Turn Signals, 4100-5100-7100, NH-E Only, Start Year: 08/01/1970
	9672521	3	Washer, Lock, Ext T, #10, Deluxe Cab, Start Year: 05/01/1973
	27145S8	3	Screw, Panel to Side Cover, #10-32 x 1", Deluxe Cab, No Longer Serviced (NH-E), Start Year: 05/01/1973
50	D0NN14N000D	1	Wire Assy., Rear Lamp, LH, L/Turn Signals, 81" (2057.4mm), 2000-3000, NH-E Only, Start Year: 08/01/1970
50	D0NN14N000AB	1	Wire Assy., Rear Lamp, LH, L/Turn Signals, 115" (2921.0mm), 4100, NH-E Only, Start Year: 08/01/1970
50	D0NN14N000E	1	Wire Assy., Rear Lamp, LH, L/Turn Signals, 122" (3098.0mm), 5100-7100, NH-E Only, Start Year: 08/01/1970
50	D0NN16N406L	1	Harness Assy., Rear Lamp, W/Turn Signals, 2000-3000, NH-E Only, No Longer Serviced, Start Year: 08/01/1970
50	D0NN16N406N	1	Wire Assy., Rear Lamp, LH, W/Turn Signals, 4100-5100-7100, NH-E Only, Start Year: 08/01/1970
51		2	Conduit, Rear Lamp Wire, 4100-5100-7100, NH-E Only, No Longer Serviced, Start Year: 08/01/1970
52	354475S36	4	Clip, Wire to Brake Cross Shaft, 2000-3000, No Longer Serviced (NH-E), Start Year: 08/01/1970
53	376507S100	4	Clip, Wire to Fender, 4100-5100-7100, Start Year: 08/01/1970
	80681	4	Washer, Lock, 5/16", 4100-5100-7100, Start Year: 08/01/1970

## 3400 3 CYL UTILITY TRACTOR (1/65-9/75)

## 15C01 SEAT BELT &amp; ROLLBAR ASSEMBLIES (NHNA)

Ref	Part Number	Qty	Description
25	81821693	4	Washer, Lock, 3/8", 4200-5200, Start Year: 01/01/1967
26	9628503	4	Nut, G5, 3/8"-16, 4200-5200, Start Year: 01/01/1967
27	80280503	2	Bolt, Carriage, Short Neck, G5, 3/8"-16 x 1", 4200-5200, Start Year: 01/01/1967
28	80679	4	Washer, Lock, 1/2", 4200-5200-7200, Start Year: 01/01/1967
28	44736S8	2	Washer, 1/2", 4200-5200, NHNA Only, Start Year: 01/01/1967
29	280431	4	Nut, G5, 1/2"-13, 4200-5200-7200, Start Year: 01/01/1967
30	86505992	4	Screw, Cap, HH, G5, 1/2"-13 x 3-3/4", 4200-5200, Start Year: 01/01/1967
	C5NN13N309B	1	Gasket, Flasher Warning Lamp, 2100-2110-3100-4110, Start Year: 01/01/1969
	81821693	2	Washer, Lock, 3/8", 2100-2110-3100-4110
	88206	2	Screw, Cap, HH, G5, 3/8"-16 x 1", 2100-2110-3100-4110, Start Year: 01/01/1969
	C9NN16A408A	4	Spacer, Rear Fender Front Brace, Used W/Model 2110-4110, NHNA Only, Start Year: 01/01/1969
	88556	4	Screw, Cap, HH, G5, 5/8"-11 x 2-1/4", Start Year: 01/01/1969
	86548695	1	Bracket Assy., Tool Box, Used W/Model 2110-4110, NHNA Only, Start Year: 01/01/1969
	280278	2	Washer, Lock, Ext T, 5/16", Used W/Models 2110 thru 4110, Start Year: 01/01/1969
	NS	1	Rollbar Assy., Refer to Wholegoods #19-655, 3550-4100-4140-4400-4410, NHNA Only, Start Year: 01/01/1969
	NS	1	Rollbar Assy., Refer to Wholegoods #19-656, 5100, NHNA Only, Start Year: 01/01/1969
	C9NN16A454A	2	Extension, Platform to Fender, W/Rollbar, Canada Only, 2100-3100, NHNA Only, No Longer Serviced, Start Year: 01/01/1969
	C9NN16A454B	2	Extension, Platform to Fender, W/Rollbar, Canada Only, 4100, NHNA Only, No Longer Serviced, Start Year: 01/01/1969
	C9NN16A454C	2	Extension, Platform to Fender, W/Rollbar, Canada Only, 5100, NHNA Only, No Longer Serviced, Start Year: 01/01/1969
	80701	18	Washer, 1/4", Start Year: 01/01/1969
	80682	6	Washer, Lock, 1/4", Start Year: 01/01/1969
	7770	6	Nut, HH, Extension, 1/4"-20, Start Year: 01/01/1969
	C5NN16N485A	6	Nut, Captive, Platform to Extension, Start Year: 01/01/1969
	280641	12	Screw, Cap, HH, G5, 1/4"-20 x 5/8", Extension, Canada Only, Start Year: 01/01/1969
	NLS	1	Kit, Drawbar Stabilizer, 2100 {C9NNN904A}, Start Year: 01/01/1969
	NLS	1	Kit, Drawbar Stabilizer, 3100 {C9NNN904B}, Start Year: 01/01/1969

## 3400 3 CYL UTILITY TRACTOR (1/65-9/75)

## 16A01 TRANSMISSION SHIFT PATTERN DECALS (NHNA)

Ref	Part Number	Qty	Description
	C5NN7B292A	1	Decal, 4 Speed W/Transmission, PTO or L/PTO, 3500-4000, NHNA Only, No Longer Serviced, Years: 01/01/1965-04/30/1970
	C5NN7B292C	1	Decal, 4 Speed W/Transmission PTO, 2000 Diesel, 3000 Gas & Diesel, NHNA Only, Years: 01/01/1965-04/30/1970
	C5NN7B292BC	1	Decal, 4 Speed W/Transmission PTO, 2000 Gasoline, NHNA Only, Years: 01/01/1965-04/30/1970
	C5NN7B292JY	1	Decal, 4 Speed W/Over & Under Auxiliary Transmission, 2000-3000, NHNA Only, No Longer Serviced, Years: 01/01/1965-04/30/1970
	C9NN7B292A	1	Decal, 6 Speed, Gas, W/Tachometer, 2100-2110, NHNA Only, Start Year: 01/01/1970
	C9NN7B292B	1	Decal, 6 Speed, Gas, W/Transmission & Live PTO 3100-3400, NHNA Only, Start Year: 01/01/1970
	D0NN7B292A	1	Decal, 6 Speed, Diesel, 2100-2110-3100-3400, NHNA Only, Start Year: 01/01/1970
	D0NN7B292B	1	Decal, 6 Speed, L/Ground Speed, 2100-3500, NHNA Only, Start Year: 01/01/1970
	C7NN7B292J	1	Decal, 6 x 4 Manual Reverse Transmission IPTO, 3400-3500-3550-4400-4500, NHNA Only, Start Year: 04/01/1968
	C5NN7B292AA	1	Decal, 8 Speed, Diesel, W/Transmission PTO or L/PTO, Prior to Transmission S/N 5J21B, 2000-3000 Except 3500, NHNA Only, Years: 01/01/1965-09/30/1965
	C5NN7B292BS	1	Decal, 8 speed, Gasoline, W/Transmission PTO or L/PTO, Prior to Transmission S/N 5J21B, 3000 Except 3500, NHNA Only, Years: 01/01/1965-09/30/1965
	C5NN7B292FT	1	Decal, 8 Speed, W/Transmission PTO or L/PTO, Effective W/Transmission S/N 5J21B, 2000-3000 Except 3500, NHNA Only, Start Year: 09/01/1965
	C5NN7B292AD	1	Decal, 8 Speed, Diesel, W/Live PTO, Prior to Transmission S/N 5J17B, 2000-3000 Except 3500, NHNA Only, Years: 01/01/1965-09/30/1965
	C5NN7B292BV	1	Decal, 8 Speed, Gasoline, W/Live PTO, Prior to Transmission S/N 5J17B, 3000, NHNA Only, No Longer Serviced, Years: 01/01/1965-09/30/1965
	C5NN7B292FY	1	Decal, 8 Speed, W/Live PTO, Effective W/Transmission S/N 5J17B, 2000-3000 Except 3500, NHNA Only, Start Year: 09/01/1965
	C5NN7B292FJ	1	Decal, 8 Speed, Gasoline, W/Live PTO, Prior to Transmission S/N 5J17B, 2110-4110, NHNA Only, No Longer Serviced, Years: 01/01/1965-09/30/1965
	C5NN7B292HB	1	Decal, 8 Speed, Gasoline, W/Live PTO, Effective W/Transmission S/N 5J17B, 2110-4110, NHNA Only, No Longer Serviced, Start Year: 09/01/1965
	C5NN7B292FH	1	Decal, 8 Speed, Gasoline, W/Transmission PTO, Prior to Transmission S/N 5K4B, 2000 LCG, NHNA Only, No Longer Serviced, Years: 01/01/1965-09/30/1965
	C5NN7B292AG	1	Decal, 8 Speed, W/Transmission or Independent PTO, Prior to Transmission S/N 5J10B, 4000 Except 4400-4500, NHNA Only, Years: 01/01/1965-09/30/1965
	C5NN7B292FN	1	Decal, 8 Speed, W/Transmission or Independent PTO, Effective W/Transmission S/N 5J10B, 4000 Except 4400-4500, NHNA Only, Start Year: 09/01/1965
	C5NN7B292Y	1	Decal, 8 Speed, W/Independent PTO or L/PTO, 3500-4400-4500, NHNA Only, Start Year: 01/01/1965
	C5NN7B292AK	1	Decal, 8 Speed, Diesel, W/Independent or L/PTO, Prior to Transmission S/N 5J6B, 5100, NHNA Only, No Longer Serviced, Years: 01/01/1965-09/30/1965
	D3NN7B292B	1	Decal, 8 Speed, Diesel, W/Independent or L/PTO, Effective W/Transmission S/N 5J6B, 5100-7000, NHNA Only, No Longer Serviced, Start Year: 09/01/1965
	C7NN7B292Z	1	Decal, 8 Speed, 5200, NHNA Only, Start Year: 01/01/1967

## 3400 3 CYL UTILITY TRACTOR (1/65-9/75)

## 16A01[C] TRANSMISSION SHIFT PATTERN DECALS, MANUAL REVERSING

Ref	Part Number	Qty	Description
	C5NN7B292JT	1	Decal, Transmission Shift Pattern, Manual Reversing, Gasoline & Diesel, MPH, U.S., 3400-4000-4500-5000, NHNA Only, Years: 01/01/1965-03/31/1968
	C7NN7B292J	1	Decal, Transmission Shift Pattern, Manual Reversing, Gasoline/Petrol & Diesel, MPH, U.S., Transmission or IPTO, 3400-4000-4500-5000, NHNA Only, Start Year: 04/01/1968
	D5NN7B292B	1	Decal, Transmission Shift Pattern, Manual Reversing, Gasoline/Petrol & Diesel, Kilos, Europe, 4400-4500, NH-E Only, No Longer Serviced, Years: 01/01/1965-12/31/1972
	C7NN7B292H	1	Decal, Transmission Shift Pattern, Manual Reversing, Transmission or IPTO, MPH, U.S., 4400-4500, No Longer Serviced, Start Year: 01/01/1965
	NLS	1	Decal, Transmission Shift Pattern, Manual Reversing, Diesel, MPH, U.K., 3400 {C7NN7B292K}, No Longer Serviced, Start Year: 01/01/1965
	C7NN7B292L	1	Decal, Transmission Shift Pattern, Manual Reversing, Gasoline/Petrol, MPH, U.K., 3400, No Longer Serviced (NHNA), Start Year: 01/01/1965
	C7NN7B292E	1	Decal, Transmission Shift Pattern, Manual Reversing, Diesel, Kilos, Europe, 3400, No Longer Serviced, Years: 01/01/1965-03/31/1976
	C7NN7B292D	1	Decal, Transmission Shift Pattern, Manual Reversing, Gasoline/Petrol, Kilos, Europe, 3400, No Longer Serviced, Start Year: 01/01/1965
	C7NN7B292F	1	Decal, Transmission Shift Pattern, Manual Reversing, Diesel, MPH, U.K., 3500, No Longer Serviced, Years: 01/01/1965-12/31/1972
	C7NN7B292G	1	Decal, Transmission Shift Pattern, Manual Reversing, Gasoline/Petrol, MPH, U.K., 3500, No Longer Serviced, Years: 01/01/1965-12/31/1972
	C7NN7B292C	1	Decal, Transmission Shift Pattern, Manual Reversing, Diesel, Kilos, Europe, 3500, No Longer Serviced, Years: 01/01/1965-12/31/1972
	C7NN7B292B	1	Decal, Transmission Shift Pattern, Manual Reversing, Gasoline/Petrol, Kilos, Europe, 3500, No Longer Serviced (NHNA), Years: 01/01/1965-12/31/1972
	C7NN7B292BA	1	Decal, Transmission Shift Pattern, Manual Reversing, Diesel, W/Proofmeter, 4500, Start Year: 04/01/1968
	C7NN7B292J	1	Decal, Transmission Shift Pattern, Manual Reversing, Gas & Diesel, Transmission or IPTO or L/PTO, 3550-4400-4500, NHNA Only, Start Year: 01/01/1973



3400 3 CYL UTILITY TRACTOR (1/65-9/75)

17B02 ENGINE, HYDRAULIC & REAR AXLE OILS, U.S. & U.K.

**NO ART REQUIRED**

3400 3 CYL UTILITY TRACTOR (1/65-9/75)

17C04 HYDRAULIC REMOTE CONTROL CYLINDER ASSEMBLY, ACCESSORY (NHNA)

Ref	Part Number	Qty	Description
	7102266	AR	Cylinder Assy., 2500 PSI, 1-1/4" Bore, 8-1/8" Stroke, Replaces P/N 148956, Includes: Ref. 1 thru 5, NHNA Only, No Longer Serviced, Start Year: 01/01/1965
1	7102268	1	Body Assy., Hydraulic Cylinder, NHNA Only, Start Year: 01/01/1965
2	7102267	1	Rod Assy., Hydraulic Cylinder Piston, NHNA Only, Start Year: 01/01/1965
3	7102289	1	Kit, Seal Repair, NHNA Only, Start Year: 01/01/1965
4	7700628	2	Pin, Clevis, 1" x 2.69" Full Length, No Longer Serviced (NHNA), Start Year: 01/01/1965
5	DA0863043	2	Pin Assy., Linch, NHNA Only, Start Year: 01/01/1965
6	305224	1	Decal, "FORD", Not Shown on Art, NHNA Only, Start Year: 01/01/1965

## 3400 3 CYL UTILITY TRACTOR (1/65-9/75)

## 17E02 REAR TOW HOOK MAIN FRAME KITS (NH-E)

Ref	Part Number	Qty	Description
	304883S36	4	Screw, Cap, HH, G5, 5/8"-11 x 2-3/8", Brackets to Housing, France, Netherlands, 5000-7000, Start Year: 01/01/1974
	NS	1	Fender Assy., Front, LH, 2100-3100, NHNA Only, Start Year: 01/01/1965
	NLS	1	Fender Assy., Front, LH, Rubber, 4100 {D3NN16006G6}, Start Year: 01/01/1965
	PL	1	Fender Assy., Front, LH, 5100-7100, NHNA Only, Start Year: 01/01/1965
	NS	1	Fender Assy., Front, RH, 2100-3100, NHNA Only, Start Year: 01/01/1965
	D1NN16005B	1	Fender Assy., Front, RH, 4100, NH-E Only, Years: 01/01/1965-02/28/1973
	NLS	1	Fender Assy., Front, RH, Rubber, 4100 {D3NN16005G5}, Start Year: 03/01/1973
	D1NN16005A	1	Fender Assy., Front, RH, 5100-7100, NH-E Only, Start Year: 01/01/1965
		1	Kit, Fender, Rubber, L"Q" Cab, 2100-3100, No Longer Serviced, Start Year: 01/01/1965
		1	Kit, Fender, Rubber, W"Q" Cab, 2100-3100, No Longer Serviced, Start Year: 04/01/1976
		1	Mirror & Bracket Assy., Rear View, Includes: Baffle & Ref. 14, NH-E Only, No Longer Serviced, Start Year: 01/01/1965
		1	Decal, Tachometer, 2100-3100, NH-E Only, No Longer Serviced, Start Year: 01/01/1965
		1	Decal, Tachometer, 8 Speed Transmission, 4100, NH-E Only, No Longer Serviced, Start Year: 01/01/1965
		1	Decal, Tachometer, 9 Speed Transmission, 4100, NH-E Only, No Longer Serviced, Start Year: 01/01/1965
	C7NN17N256E	1	Decal, Tachometer, 5100, NH-E Only, Start Year: 01/01/1965
	34804S36	2	Washer, Lock, #12, No Longer Serviced (NH-E), Start Year: 01/01/1965
	86512084	2	Nut, #12-24, Start Year: 01/01/1965
	NLS	2	Screw, #12-24 x 3/4" {352404S36}, Start Year: 01/01/1965
	81547	4	Washer, Lock, 7/16", 2100-3100, Start Year: 01/01/1965
	280717	4	Nut, G5, 7/16"-14, 2100-3100, Start Year: 01/01/1965
		4	Bolt, 7/16"-14 x 2.88, 2100-3100, Start Year: 01/01/1965
	PL	1	Clamp, Fender to Steering Arm, LH, 4100, NHNA Only, Start Year: 03/01/1973
	D1NN16N047A	1	Clamp, Fender to Steering Arm, LH, 5100-7100, NH-E Only, Start Year: 03/01/1973
	PL	1	Clamp, Fender to Steering Arm, RH, 4100, NHNA Only, Start Year: 03/01/1973
	PL	1	Clamp, Fender to Steering Arm, RH, 5100-7100, NHNA Only, Start Year: 03/01/1973
	EFPN17N679A	1	Kit, Rear View Mirror & Arm, U.S., Includes: Arm & the Following, NHNA Only, Start Year: 01/01/1965
	EFPN17N679A	1	Mirror Assy., Rear View, NHNA Only, Start Year: 01/01/1965
	87362	2	Washer, SAE, 5/16", Start Year: 01/01/1965
	87872	2	Screw, Cap, HH, G5, 5/16"-18 x 3/4", Start Year: 01/01/1965
	NLS	1	Plate, Reinforcement {D0NN17N684A}, Start Year: 01/01/1965

3400 3 CYL UTILITY TRACTOR (1/65-9/75)

17G01 HYDRAULIC REMOTE CONTROL CYLINDER ASSEMBLY, ACCESSORY (NHNA)

Ref	Part Number	Qty	Description
20	7000559	4	Pin, Clevis Spring, All Cylinder Assemblies, 2 x 8", 3 x 8" & 3-1/2 x 8", NHNA Only, No Longer Serviced, Start Year: 01/01/1965
21	CE41345711	1	Kit, Limit Stop, 2 x 8" D.A., Includes: Package of (4) Limit Stop Assemblies (1) each of 3/4", 1", 1-1/4", & 1-1/2", NHNA Only, No Longer Serviced, Start Year: 01/01/1965
21	CE41345711	1	Kit, Limit Stop, 3 x 8" & 3-1/2 x 8" D.A., Includes: Package of (4) Limit Stop Assemblies (1) each of 3/4", 1", 1-1/4", & 1-1/2", NHNA Only, No Longer Serviced, Start Year: 01/01/1965

FL TP FDR	Flat Top Fenders	Ailes plates	Guardabarros Aplanados
FLEX LKS	Flexible Links	Embouts souples	Articulaciones Flexibles
FLG	Flange	Bride	Brida
FLR	Floor	Plancher	Suelo
FLSHR	Flasher	Clignotant	Luz Intermitente
FLTR	Filter	Filtre	Filtro
FN	Footnote	Note en Bas de Page	Nota a Pie de Página
FORG	Forged	Forgé	Forjado
FP	Flat Point	Pointe plate	Punta Plana
FR	Frame	Châssis	Chasis, Bastidor
FR	Folded Rim	Bord replié	Pestaña Plegada
FRT	Front	Avant	Delantero, Anterior
FRT POS LTS	Front Position Lights	Feux à Position avant	Faros Delanteros
FT	Foot	Pied	Pie
FT ACL	Foot Accelerator	Accélérateur à Pied	Acelerador de Pie
FT FDRS	Front Fenders	Ailes avant	Guardabarros Delanteros
FT THR	Foot Throttle	Accélérateur à Pied	Acelerador de Pie
FWD	Front Wheel Drive	Traction avant	Tracción Delantera
<b>- G -</b>			
G5	SAE Grade 5 or 5.2	SAE Catégorie 5 ou 5.2	SAE Grado 5 o 5.2
G8	SAE Grade 8	SAE Catégorie 8	SAE Grado 8
GAL	Gallon	Gallon	Galón
GAS	Gasoline	Essence	Gasolina
GB	Grade B	Catégorie B	Grado B
GC	Grade C	Catégorie C	Grado C
GD	Guard	Protecteur, Protection	Protector
GERM	German	Allemand	Alemán
GF	German Fenders	Garde-boue allemand	Guardabarros Alemanes
GR	Gear	Engrenage	Engranaje
GR PMP	Gear Pump	Pompe à Engrenage	Bomba del Engranaje
GSR	Greaser	Graisser	Engrasador
<b>- H -</b>			
H EXH	Horizontal Exhaust	Echappement horizontal	Escape Horizontal
HAZ WRN	Hazard Warning	Signal de Détresse	Señalador de Emergencia

CLICK HERE TO **DOWNLOAD** THE COMPLETE MANUAL

- Thank you very much for reading the preview of the manual.
- You can download the complete manual from: [www.heydownloads.com](http://www.heydownloads.com) by clicking the link below



- Please note: If there is no response to CLICKING the link, please download this PDF first and then click on it.

CLICK HERE TO **DOWNLOAD** THE COMPLETE MANUAL