



Technical Manual

CLICK HERE TO **DOWNLOAD** THE COMPLETE MANUAL

- Thank you very much for reading the preview of the manual.
- You can download the complete manual from: www.heydownloads.com by clicking the link below



- Please note: If there is no response to CLICKING the link, please download this PDF first and then click on it.

CLICK HERE TO **DOWNLOAD** THE COMPLETE MANUAL

MODEL LA12 CHARGER**LONG-AIRDOX COMPANY**

REMOVE personal metal items such as rings, bracelets, necklaces, and watches when working with a battery. A battery can produce a short circuit current high enough to weld a ring or the like to metal, causing a severe burn.

NEVER charge a frozen battery.

If it is necessary to remove the battery connections, always remove the grounded terminal from the battery first. Make sure all loads are disconnected and unit is off, so as not to cause an arc.

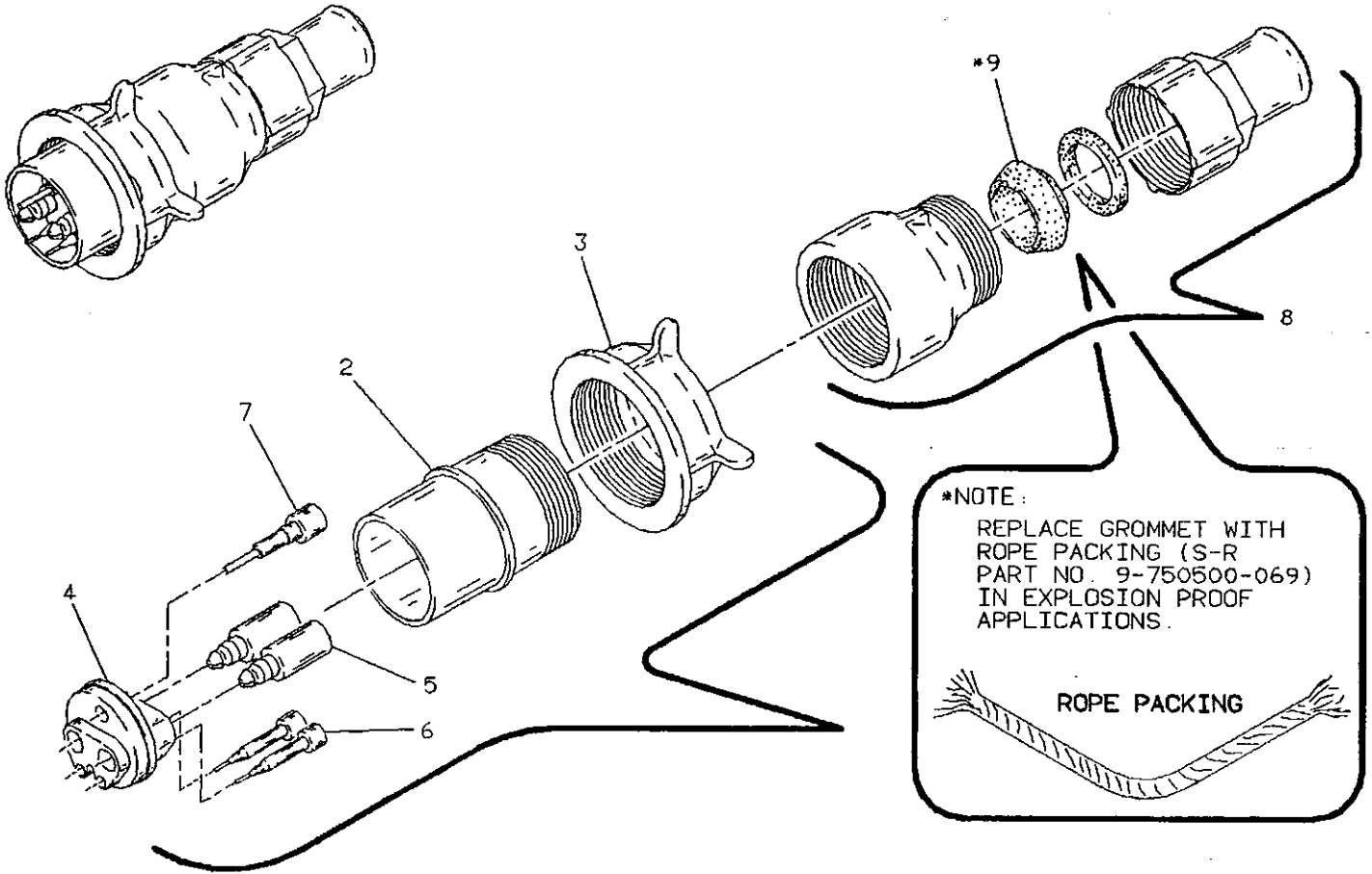
Be sure the area around the battery is well ventilated while the battery is being charged.

When cleaning battery terminals, be careful to keep corrosion from coming in contact with the eyes.

Study all the battery manufacturer's specific precautions such as do not remove cell caps while charging, recommended rates of charge, and maintenance procedures.

MODEL LA12 CHARGER

LONG-AIRDOX COMPANY



REFERENCE	QUANTITY	PART NUMBER	DESCRIPTION
1-----	1-----	A14161	5-POLE BRASS RECP. ASSEMBLY
2-----	1-----	A14161-1	BRASS RECEPTACLE HOUSING
3-----	1-----	A14161-2	BRASS CAP
4-----	1-----	A14161-3	INSULATOR (INCLUDES TIPS)
-----	1-----	A14161-4	INSULATOR (WITHOUT TIPS)
5-----	1-----	A14161-5	POWER TIP SET (2/0-4/0)
6-----	1-----	A14161-6	GROUND TIP
7-----	1-----	A14161-7	CONTROL TIP SET
8-----	1-----	A14163	PACKING GLAND ASSEMBLY (W/ HOSE TUBE) FOR CABLE SIZE #4/0 (.80) #1/0 (.62) #6 (.37)
-----	1-----	A14163X1	PACKING GLAND ASSY (W/ HOSE TUBE) FOR CABLE SIZE #2/0 (.65) #1/0 (.62) #6 (.37)
9-----	1-----	A14163X2	PACKING GLAND ASSY (W/O HOSE TUBE) FOR CABLE SIZE #4/0 (.80) #1/0 (.62) #6 (.37)

REV.1	SHEET 1 OF 2
A14161	
5-POLE BRASS RECEPTACLE	

THIS PAGE INTENTIONALLY LEFT BLANK

CLICK HERE TO **DOWNLOAD** THE COMPLETE MANUAL

- Thank you very much for reading the preview of the manual.
- You can download the complete manual from: www.heydownloads.com by clicking the link below



- Please note: If there is no response to CLICKING the link, please download this PDF first and then click on it.

CLICK HERE TO **DOWNLOAD** THE COMPLETE MANUAL