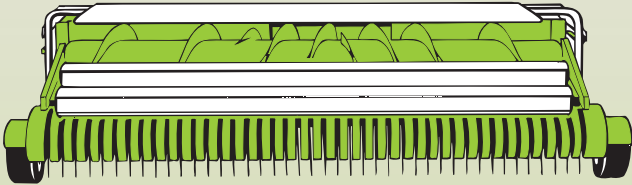


CLAAS



PU 300 HD

JAGUAR 900 / 890 / 870 / 850 / 830

**Fitting and Operating
Instructions**

SERVICE & PARTS

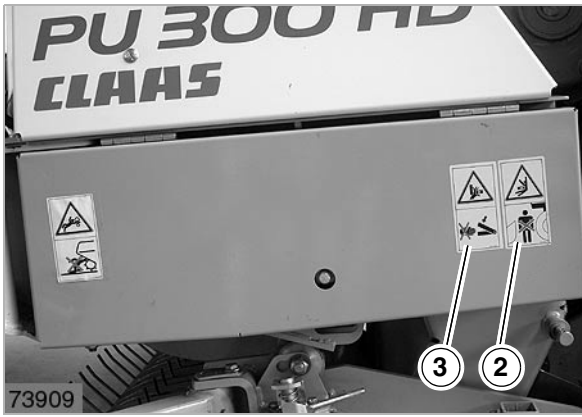
CLICK HERE TO **DOWNLOAD** THE COMPLETE MANUAL

- Thank you very much for reading the preview of the manual.
- You can download the complete manual from: www.heydownloads.com by clicking the link below

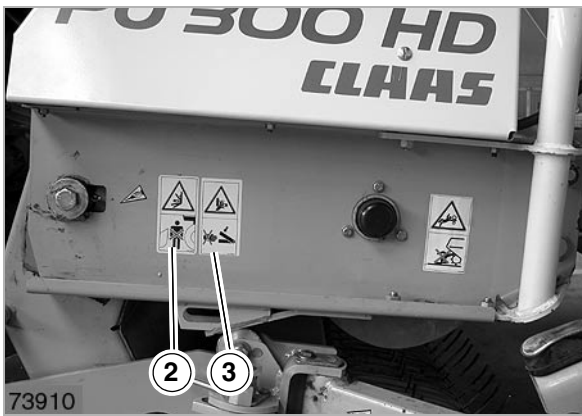


- Please note: If there is no response to CLICKING the link, please download this PDF first and then click on it.

CLICK HERE TO **DOWNLOAD** THE COMPLETE MANUAL



4



5

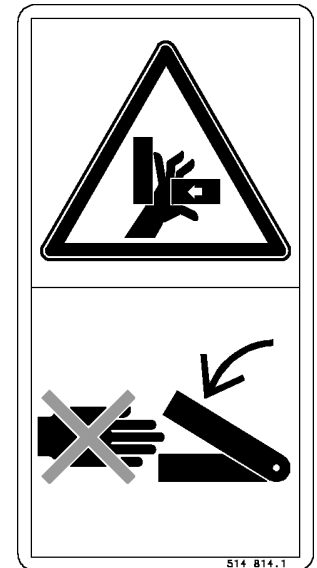


6

Warning symbol 0516 042.0 (2)

Do not walk in the danger area between the front attachment and the machine.

(Fig. 4, 5, 6)

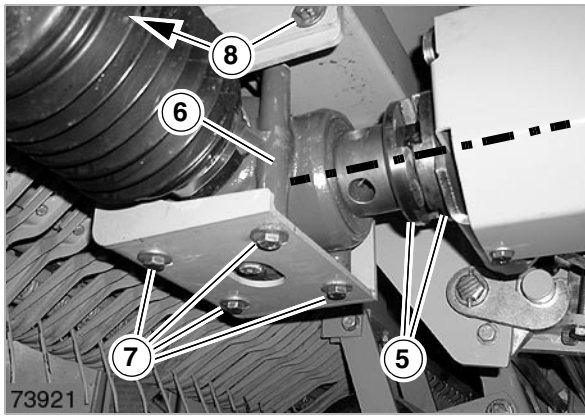


7

Warning symbol 0516 038.0 (3)

Never reach into the pinch danger area whilst the parts in this area can still move.

(Fig. 4, 5, 7)



10

Setting the dog clutch

When fitting for the first time make sure that the dog clutch (5) is aligned.



Danger!

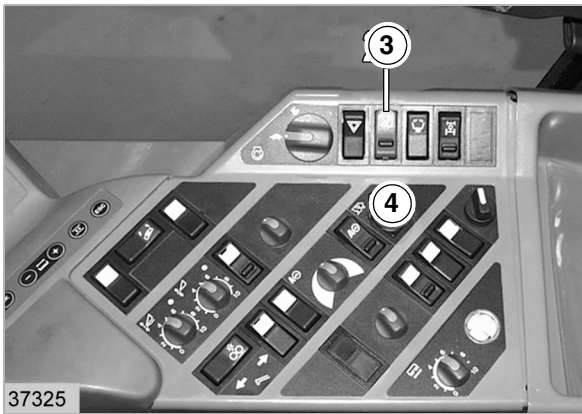
All work under the raised Pickup only to be undertaken with secure support.

– See *Extending the prop stand* on page 8.11.

If necessary, the height, side and/or angular offset can be compensated for by moving the angle drive (6) in the slotted holes.

- Release hex bolts (7) and/or (8).
- Align the angle drive (6).
- Tighten hex bolts (7) and/or (8).

(Fig. 10)



3

Using the Pickup

1. Check the working position of the Pickup – see *Working position* on page 8.4.
2. Start the engine.
3. Switch on the front attachment, by:
Switching on the safety switch (3) and the main drive (impact switch 4).
4. Check the lowering speed of the Pickup and adjust if necessary – see *Setting the Pickup lowering speed* on page 8.6.
5. Set the ground pressure of the Pickup on the potentiometer - see operating instructions for the forage harvester or *Setting the Contour-System (Ground Pressure Control)* on page 9.3.
6. Before entering the field of crops switch on the Pickup at idle speed.

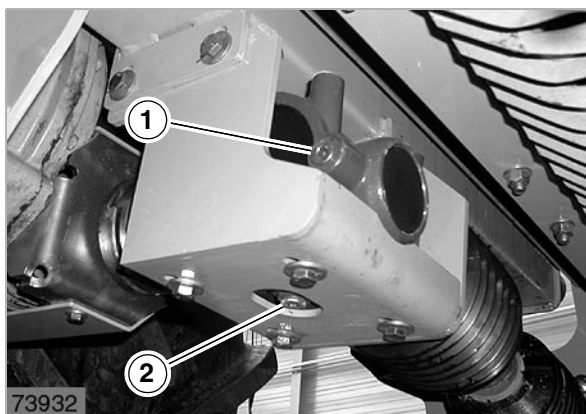


Attention!

The Pickup front attachments may only be lowered to the mid range of the pendulum travel.
Otherwise the Pickup could get damaged.

7. Lower the Pickup down to the working height.
8. Increase to working speed and enter the field of crops.
9. The ground speed depends upon the individual conditions (ground condition, condition of the crops).

(Fig. 3)



Use only gearbox oil SAE 90 to (MIL-L-2105) API GL-4-90 for lubricating the angle drive.

The filling quantity is 0.80 litres.

1 = Oil filling and check screw

2 = Oil draining screw



Environment!

Dispose of drained oil properly.

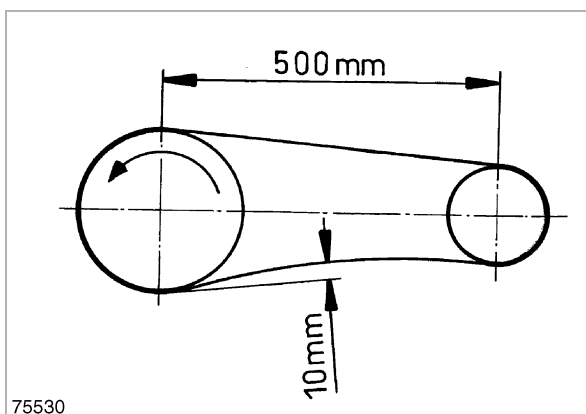
1 Oil change:

After starting to use for the first time or after a gearbox overhaul, the first oil change should be undertaken after 40 operating hours.

After this once yearly or every 500 operating hours.

Check the oil level every 50 operating hours.

(Fig. 1)



75530

Tightening the drive chains

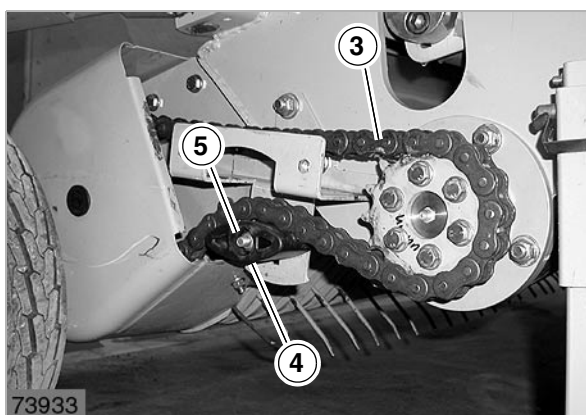
After the first 10 operating hours, all the chains should be checked for tension.

Even when using the machine later, the chain tension must be checked.

The steel roller chain is correctly tensioned if the slack span of the chain, with a small load on the tight span, can be pushed in by thumb pressure by about 2% of the axial separation. In the case of new chains, the tension needs to be checked more regularly.

2 Example: axial separation 500 mm = depression movement on the slack span approx. 10 mm.

(Fig. 2)



73933

Drive chain pick-up

To tighten the drive chain (3) proceed as follows:

- Remove the cover.
- Release the hex nuts (5).
- Move the chain tensioner (4) in the slotted holes to the desired position.
- Retighten the hex nuts (5).
- Refit the cover.

3 (Fig. 3)

CLICK HERE TO **DOWNLOAD** THE COMPLETE MANUAL

- Thank you very much for reading the preview of the manual.
- You can download the complete manual from: www.heydownloads.com by clicking the link below



- Please note: If there is no response to CLICKING the link, please download this PDF first and then click on it.

CLICK HERE TO **DOWNLOAD** THE COMPLETE MANUAL