

XERION 5000 - 4500 TRAC /  
TRAC VC

**CLAAS**

## Anbauanleitung

GPS PILOT

## Fitting Instructions

GPS PILOT

## Notice de montage

GPS PILOT

## Instrucciones de montaje

GPS PILOT

## Istruzioni di montaggio

GPS PILOT

## Руководство по установке

GPS PILOT



Service & Parts

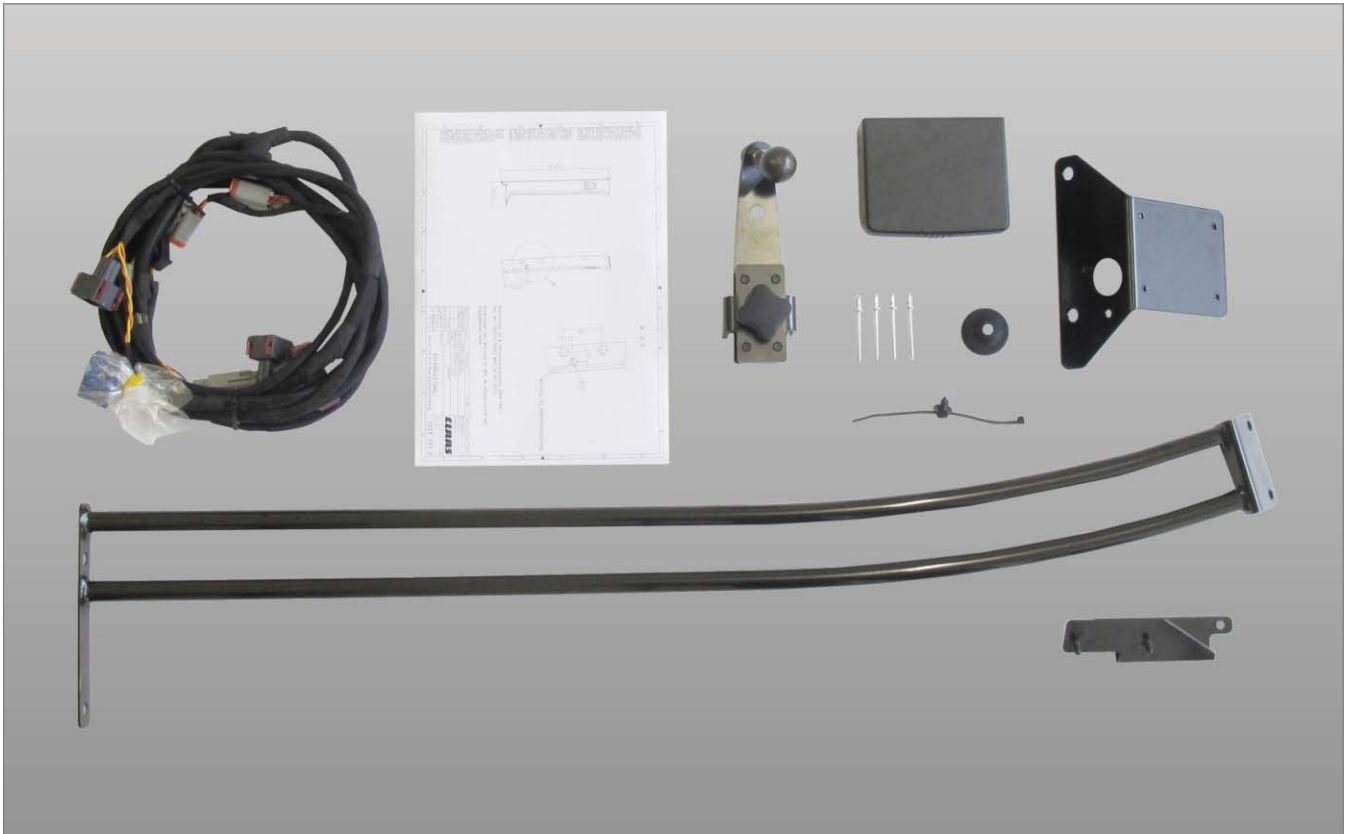
CLICK HERE TO **DOWNLOAD** THE COMPLETE MANUAL

- Thank you very much for reading the preview of the manual.
- You can download the complete manual from: [www.heydownloads.com](http://www.heydownloads.com) by clicking the link below



- Please note: If there is no response to CLICKING the link, please download this PDF first and then click on it.

CLICK HERE TO **DOWNLOAD** THE COMPLETE MANUAL



Terminal ready

163935-001

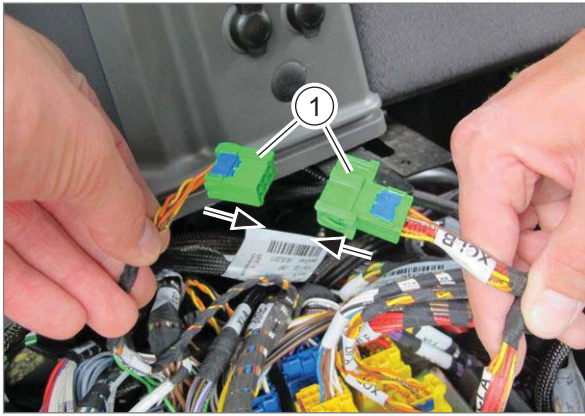
2




GPS ready

163937-001

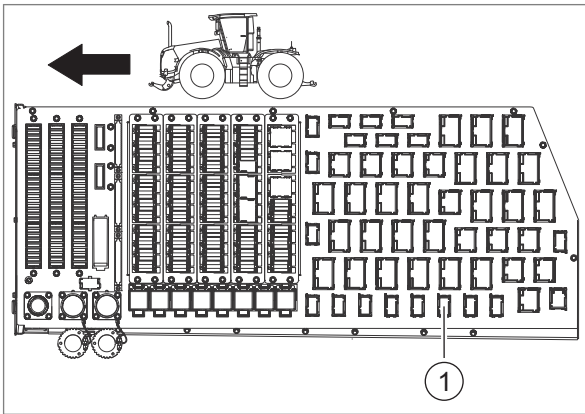
3




153367-001

1		00 0500 792 1 XCLB XCL
---	--	------------------------------

29



153358-001

1		00 0500 792 1 XCLA CL
---	---	-----------------------------

30




153369-001

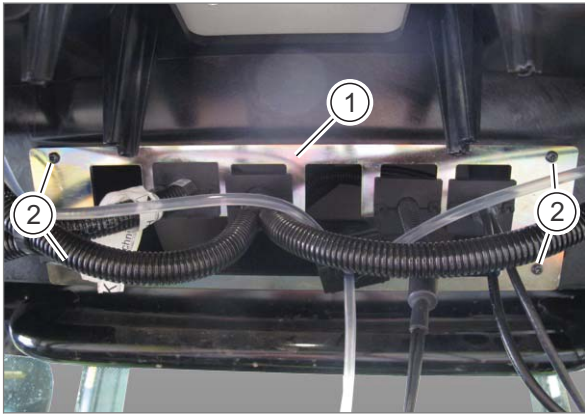
31		
----	--	--



134933-001

1		00 0500 792 1 XGPRS, XR14.X, XA127, XA128
---	--	---

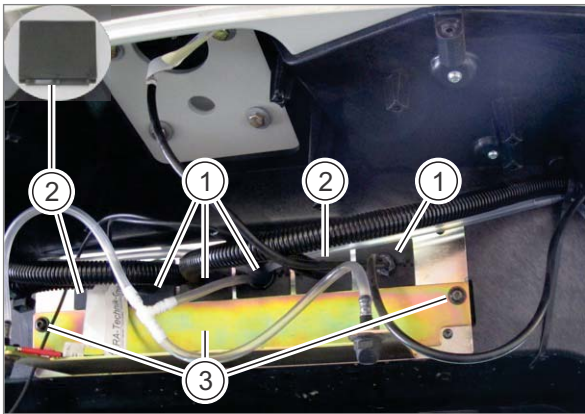
32



161909-001

1		-
2		-

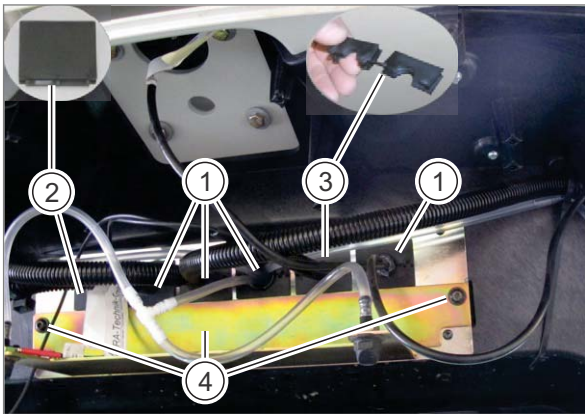
63



\* BASELINE HD, EGNOS, OMNISTAR HP, RTK ready, RTK 161818-001

1		-
2		-
3		-

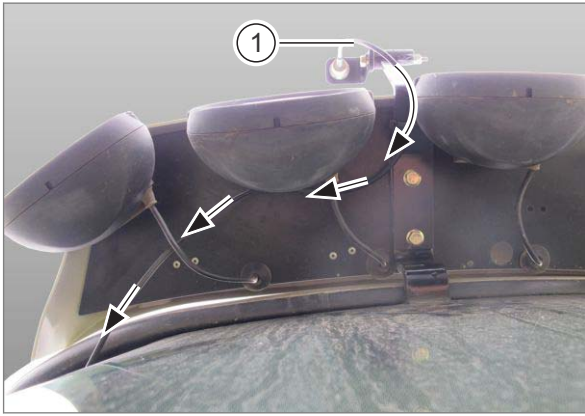
64



\* RTK NET 166027-001




1		-
2		-
2		-
4		-

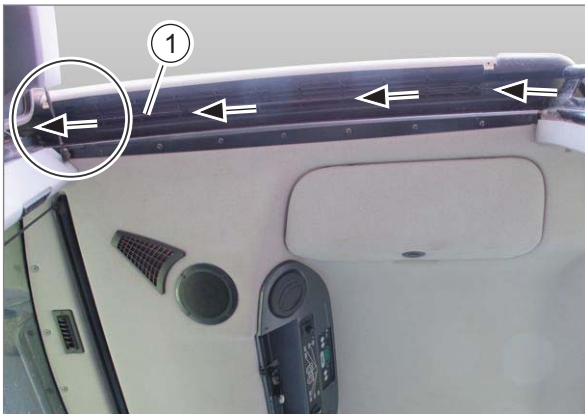
65



153237-001




93

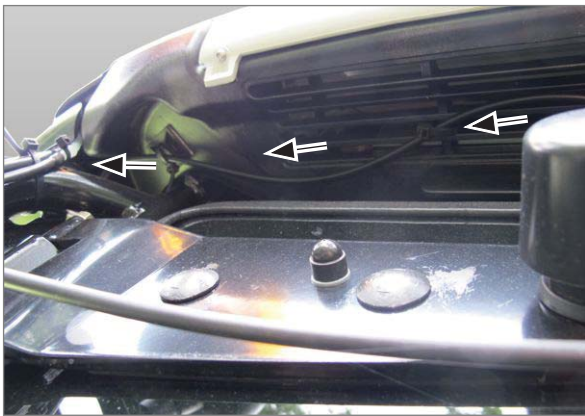
1		00 1400 075 0
	 	(1x)



153238-001

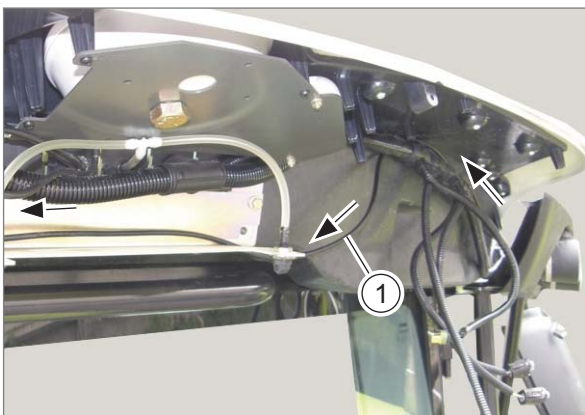
94

1		00 1400 075 0
	 	(6x)






153236-001

95



146232-001

96

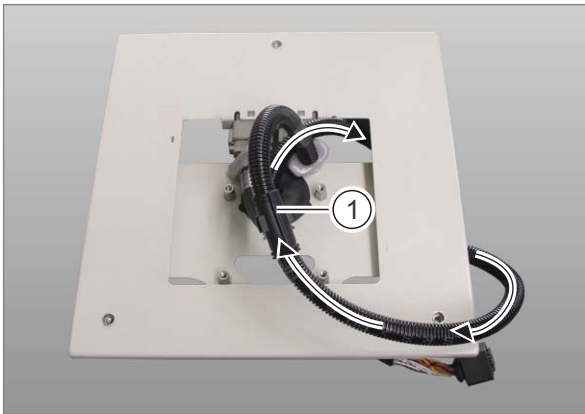
1		00 1400 075 0
	 	(2x)



161736-001

1		00 1811 403 0
---	--	---------------

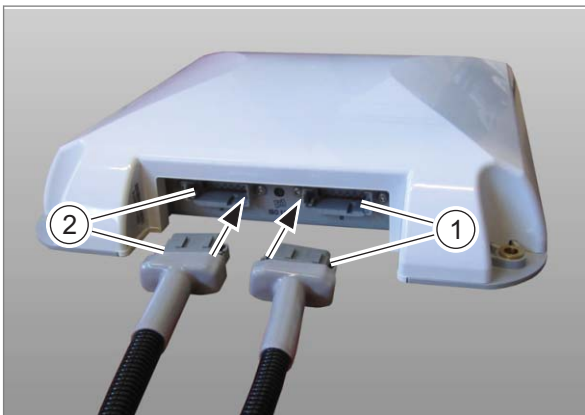
125



161738-001

1		00 1811 403 0
---	--	---------------

126



136440-001

1		00 1411 403 0 X2A005
2		00 1411 403 0 X1A005

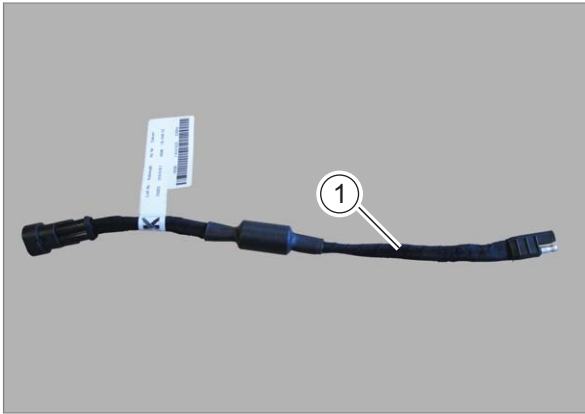
127



161807-002

1		-
2		M6x30 (1x) A6 (1x)
3		M6x25 (2x) A6 (2x)

128

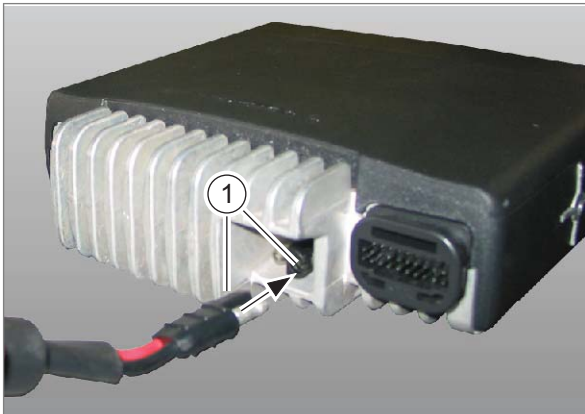


00 0016 619 1

165064-001

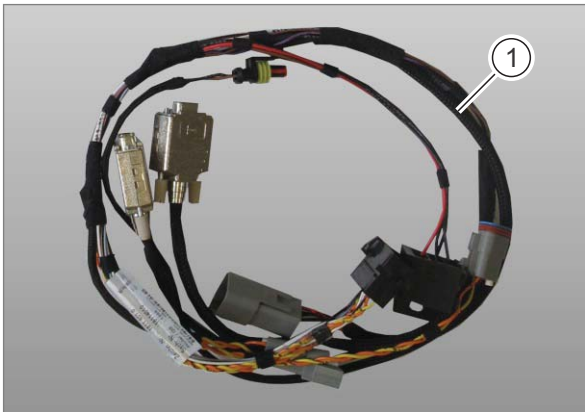
1		00 0016 619 1 XB
---	--	---------------------

**155**



136574-001

**156**

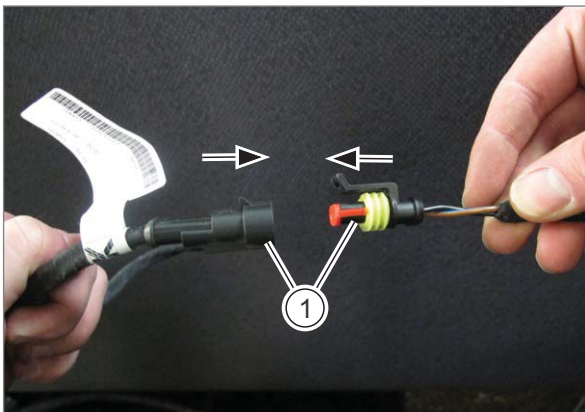


00 1811 401 0

163965-001

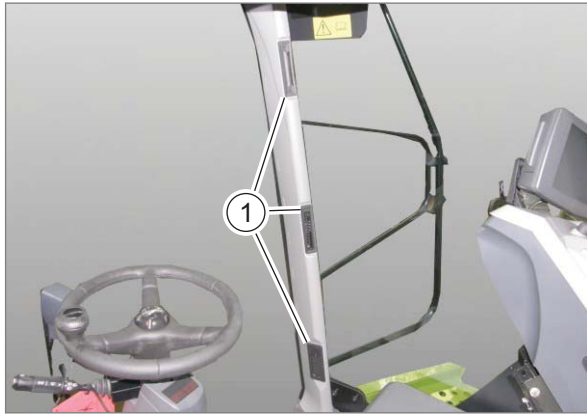
1		00 0016 619 1 XA 00 1811 401 0 X49S
---	--	--

**157**



161858-001

**158**



39514-002

1		-
---	--	---

180



39515-002

1		-
---	--	---

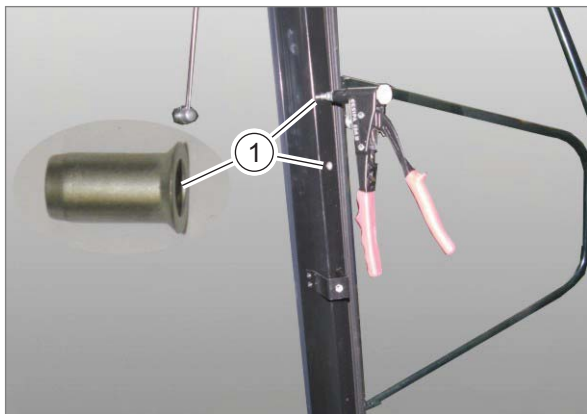
181



39516-002

1		-
---	--	---

182



39517-003

1		M6 (2x)
---	--	---------

183

CLICK HERE TO **DOWNLOAD** THE COMPLETE MANUAL

- Thank you very much for reading the preview of the manual.
- You can download the complete manual from: [www.heydownloads.com](http://www.heydownloads.com) by clicking the link below



- Please note: If there is no response to CLICKING the link, please download this PDF first and then click on it.

CLICK HERE TO **DOWNLOAD** THE COMPLETE MANUAL