

Anbauanleitung

GPS PILOT FLEX

Fitting Instructions

GPS PILOT FLEX

Notice de montage

GPS PILOT FLEX

Instrucciones de montaje

GPS PILOT FLEX

Istruzioni di montaggio

GPS PILOT FLEX

Руководство по установке

GPS PILOT FLEX



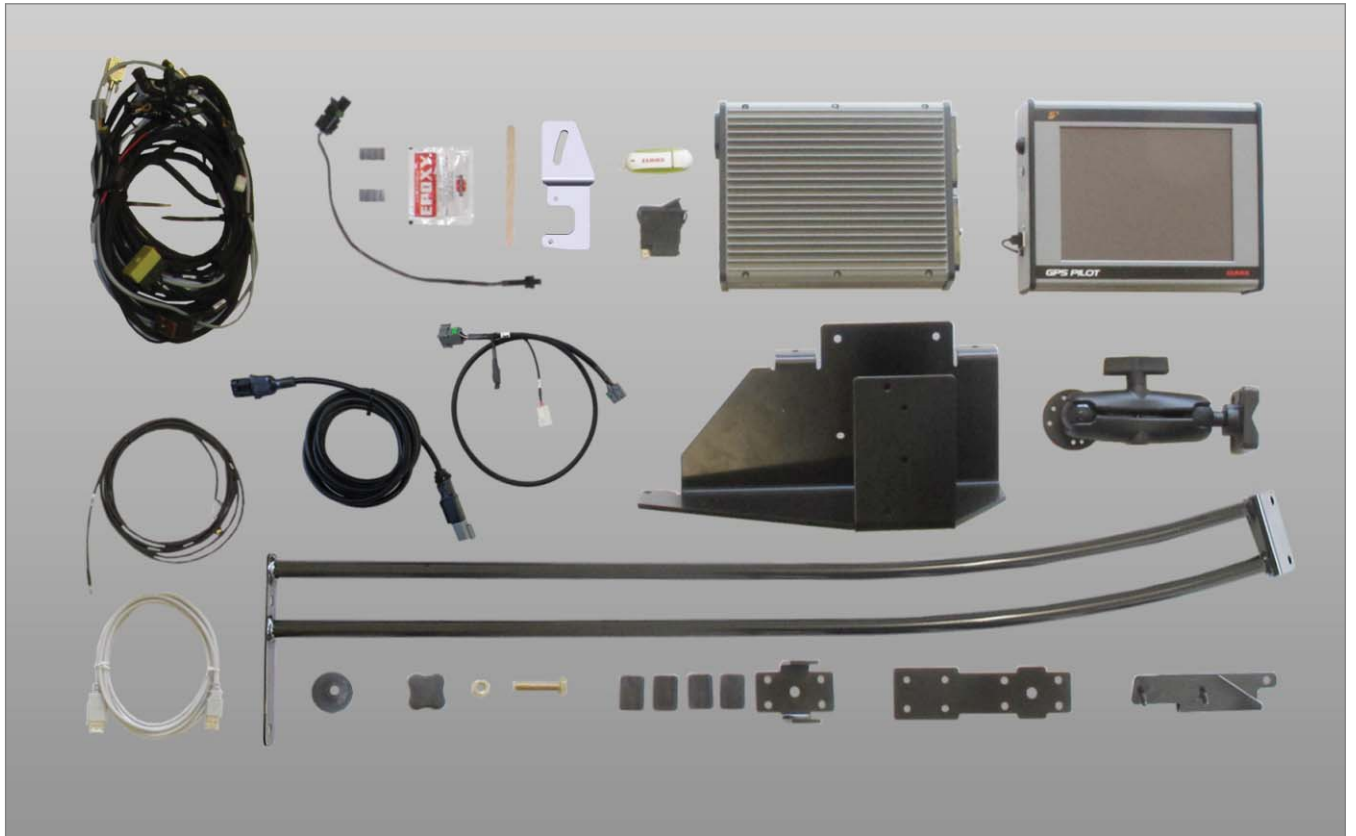
CLICK HERE TO **DOWNLOAD** THE COMPLETE MANUAL

- Thank you very much for reading the preview of the manual.
- You can download the complete manual from: www.heydownloads.com by clicking the link below



- Please note: If there is no response to CLICKING the link, please download this PDF first and then click on it.

CLICK HERE TO **DOWNLOAD** THE COMPLETE MANUAL



GPS PILOT

177016-001

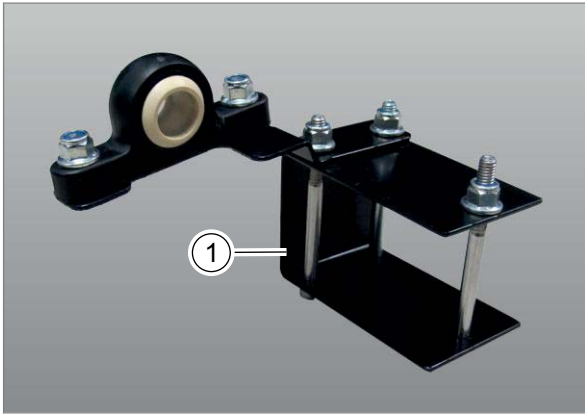
2



EGNOS, BASELINE HD

165196-001

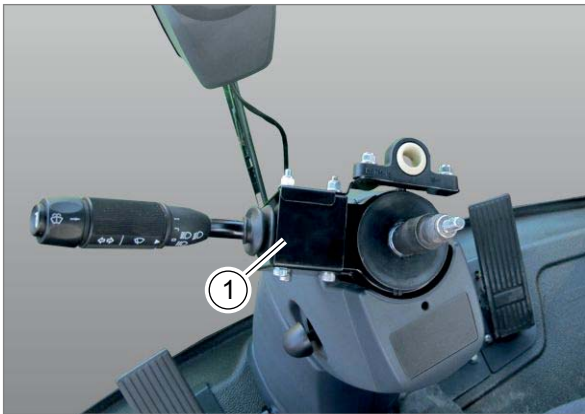
3



175723-001

| | | |
|---|--|---------------------------------|
| 1 | | M6x70 (3x) M6 - DIN 562 (5x) |
|---|--|---------------------------------|

18



175724-001

| | | |
|---|--|---|
| 1 | | - |
|---|--|---|

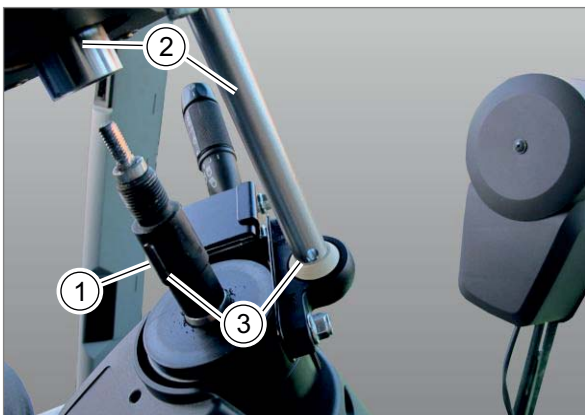
19



175765-001

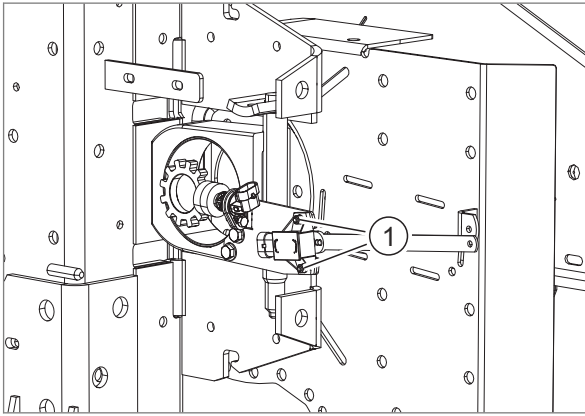
| | | |
|---|--|---|
| 1 | | - |
| 2 | | - |
| 3 | | - |

20

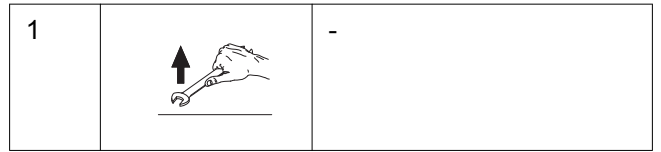


175714-001

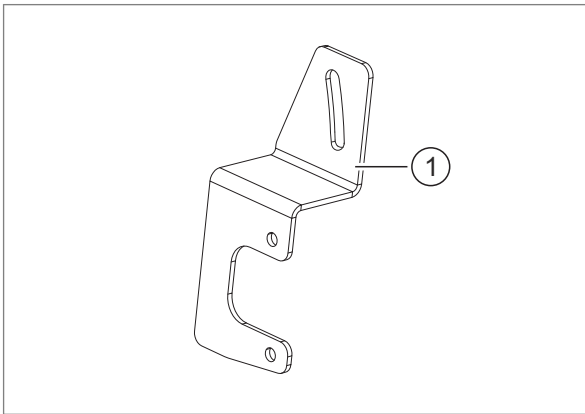
21



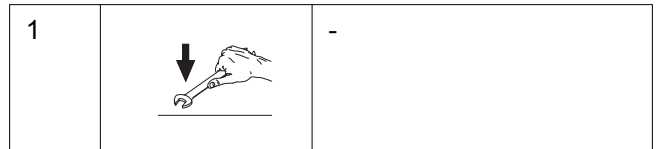
174872-001



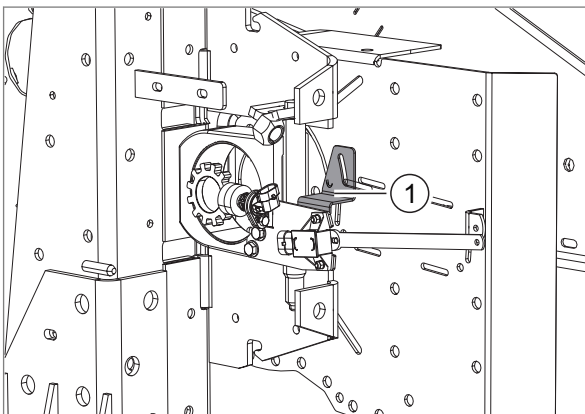
46



174873-001

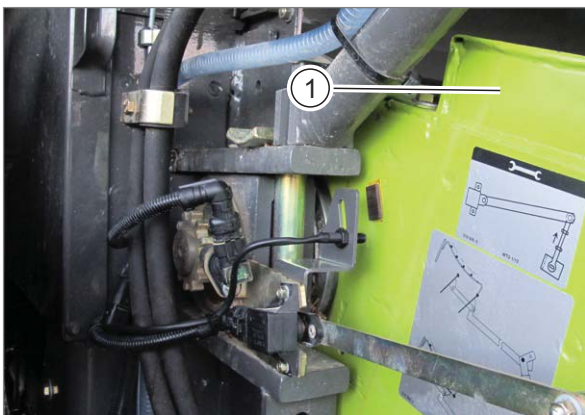


47



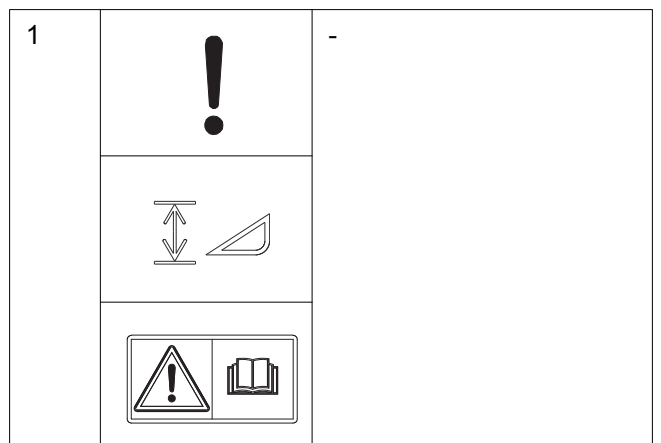
174875-001

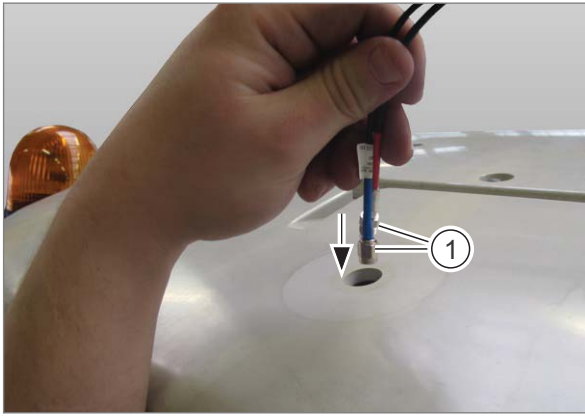
48



176468-001

49

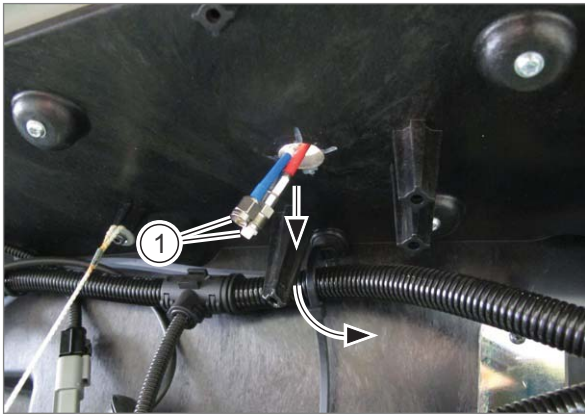




161842-001

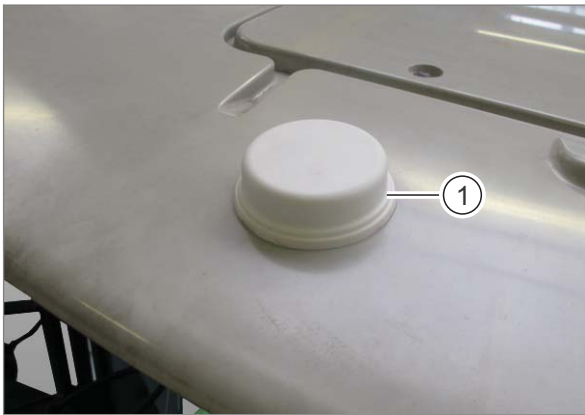
| | | |
|---|--|---------------|
| 1 | | 00 1402 448 0 |
|---|--|---------------|

76



161844-001

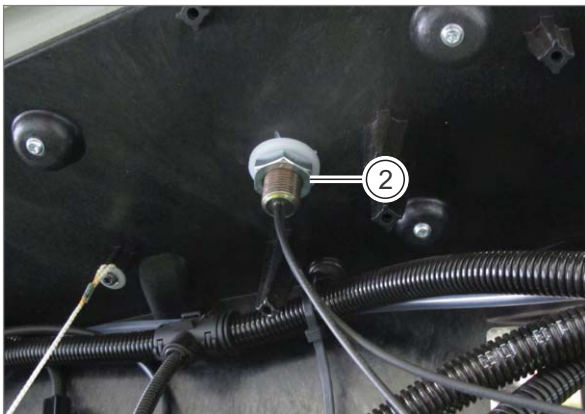
77



161845-001

| | | |
|---|--|---|
| 1 | | - |
| 2 | | - |

78



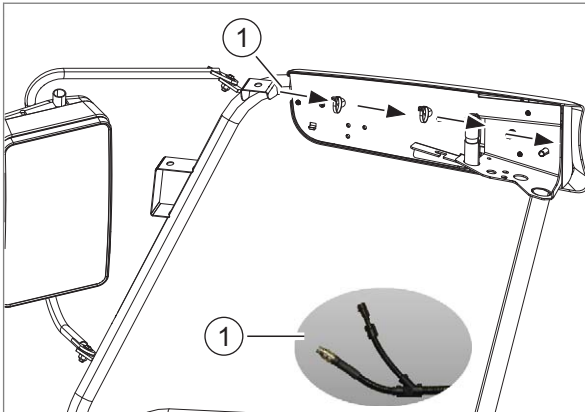
161847-001

79



00 1401 009 1

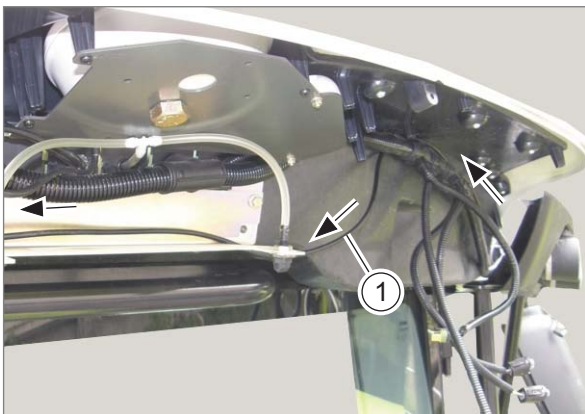
158782-001



165207-001

| | | |
|---|--|---------------|
| 1 | | 00 1401 009 1 |
|---|--|---------------|

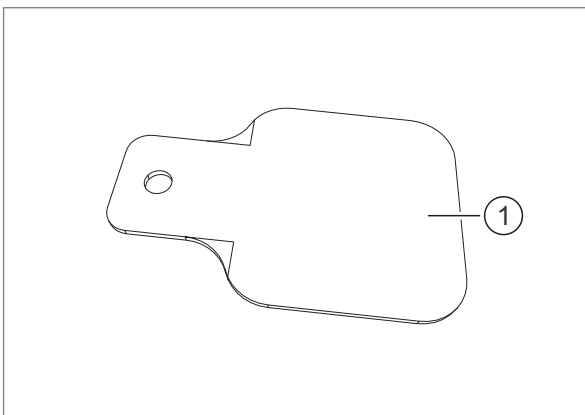
103



146232-001

| | | |
|---|--|---------------|
| 1 | | 00 1401 009 1 |
| | | (2x) |
| | | |

105

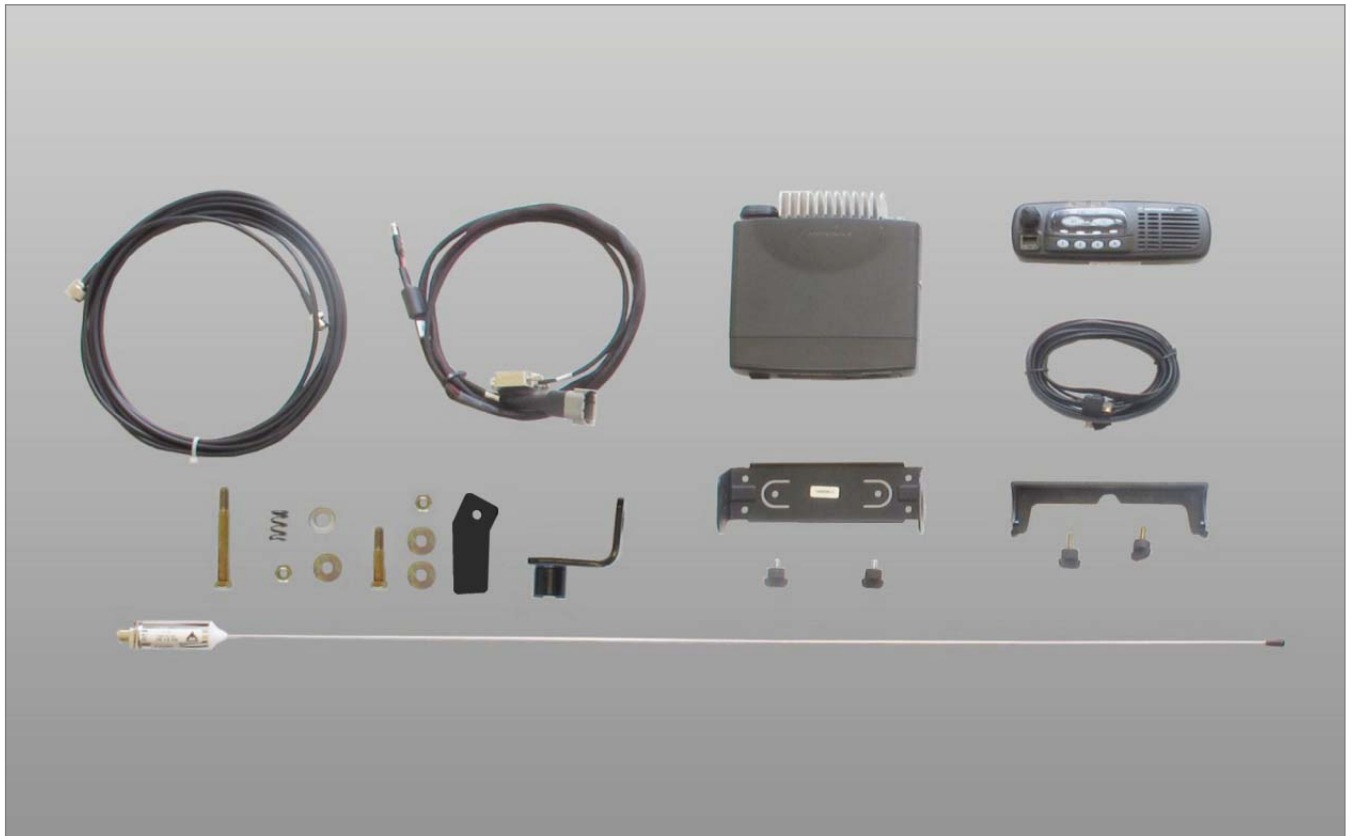


165070-001

| | | |
|---|--|---|
| 1 | | <ul style="list-style-type: none"> M10 x 25 (1x) A10 (2x) M10 - ISO 4032 (1x) |
|---|--|---|

106

RTK



RTK

165073-001

133

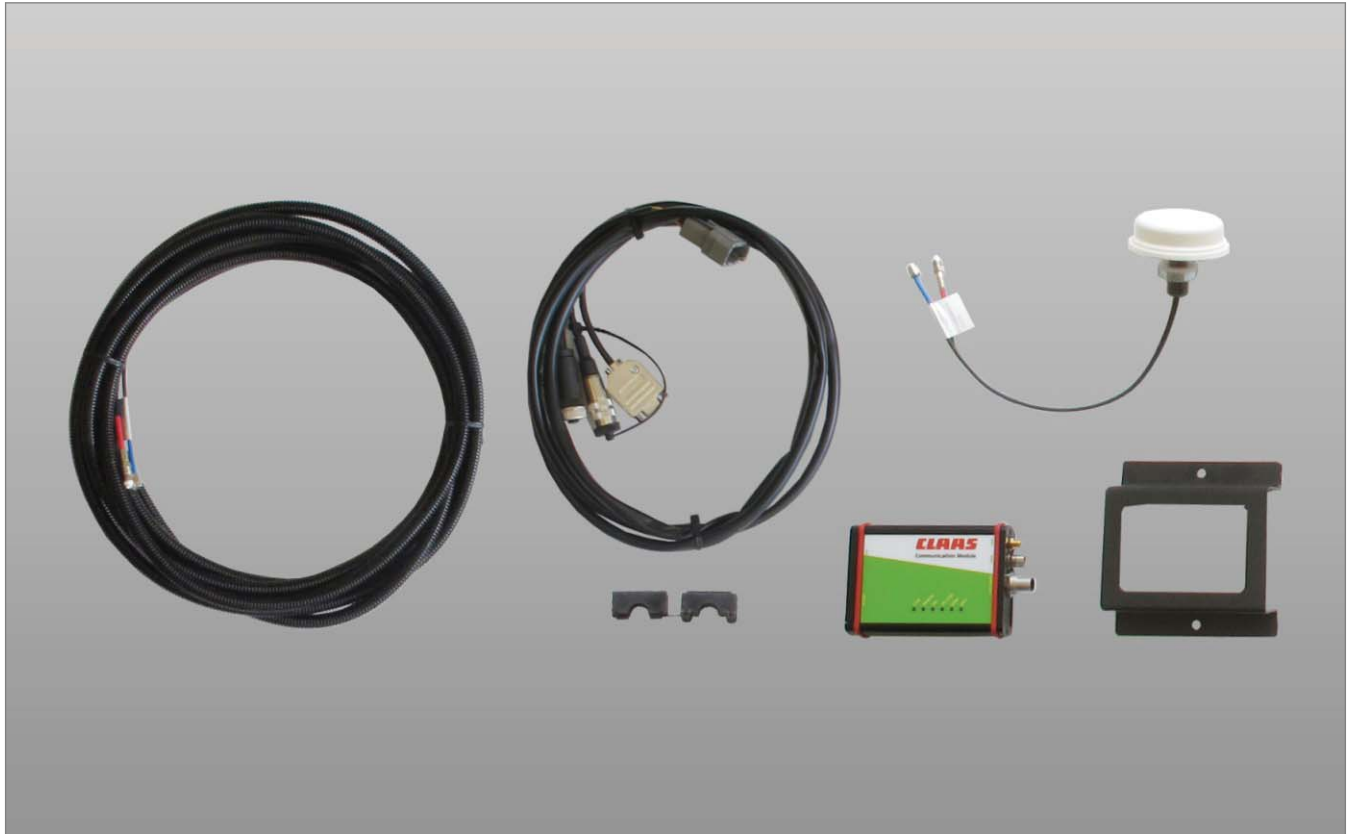


137268-001

134

| | | |
|---|--|---|
| 1 | | - |
|---|--|---|

RTK NET



RTK NET



163534-001

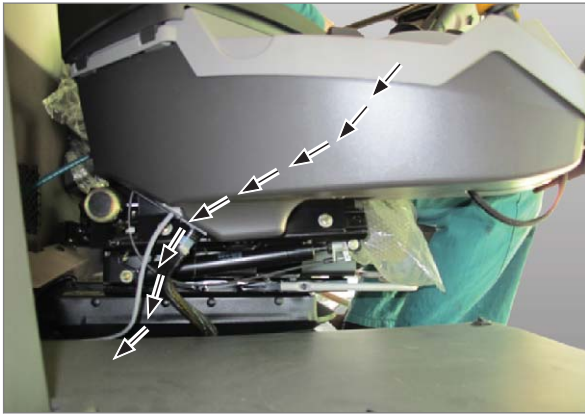
164



145917-001

165

| | | |
|---|---|--|
| 1 |  | - |
| |  | <p>Inbetriebnahme TSM Modul</p> <p>Putting into operation TSM Module</p> <p>Mise en service TSM Module</p> <p>Puesta en marcha TSM Módulo</p> <p>Messa in esercizio TSM Modulo</p> <p>Пуск в эксплуатацию TSM Модуль</p> |



164789-001

189



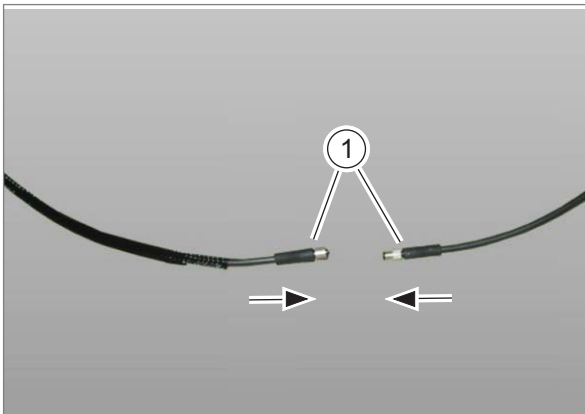
164589-001

190



164588-001

191

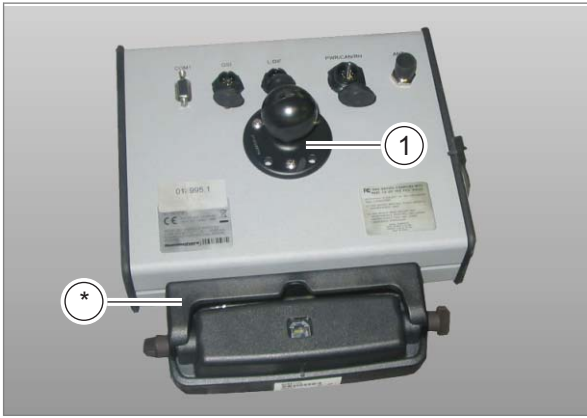


141537-002

192

| | | |
|---|--|---|
| 1 | | - |
|---|--|---|

| | | |
|---|--|--------------------------------------|
| 1 | | 00 1401 005 2 EA 00 1401 016 1 |
|---|--|--------------------------------------|

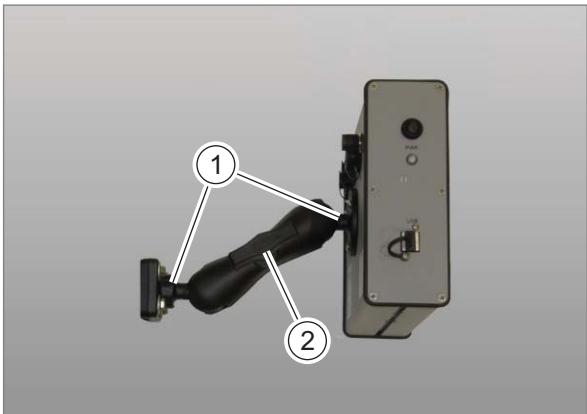


* RTK

138115-001

223

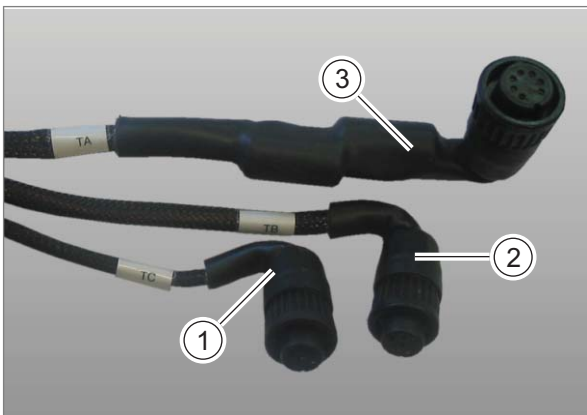
| | | |
|---|--|---|
| 1 | | - |
|---|--|---|



145685-002

224

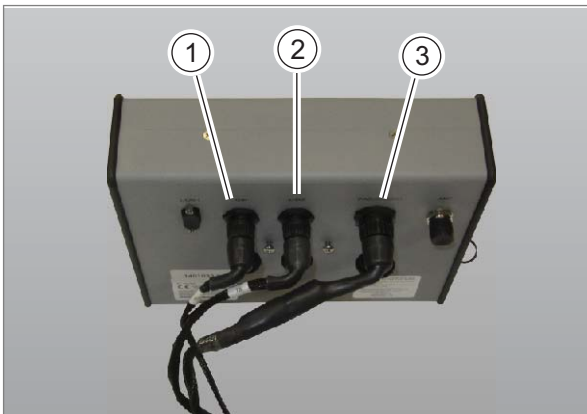
| | | |
|---|--|---|
| 1 | | - |
| 2 | | - |



139568-001

225

| | | |
|---|--|---------------------|
| 1 | | 00 1401 005 2 TA |
| 2 | | 00 1401 005 2 TB |
| 3 | | 00 1401 005 2 TC |



143126-001

226

CLICK HERE TO **DOWNLOAD** THE COMPLETE MANUAL

- Thank you very much for reading the preview of the manual.
- You can download the complete manual from: www.heydownloads.com by clicking the link below



- Please note: If there is no response to CLICKING the link, please download this PDF first and then click on it.

CLICK HERE TO **DOWNLOAD** THE COMPLETE MANUAL