

**Anbauanleitung**

GPS PILOT FLEX

**Fitting Instructions**

GPS PILOT FLEX

**Notice de montage**

GPS PILOT FLEX

**Instrucciones de montaje**

GPS PILOT FLEX

**Istruzioni di montaggio**

GPS PILOT FLEX

**Руководство по установке**

GPS PILOT FLEX



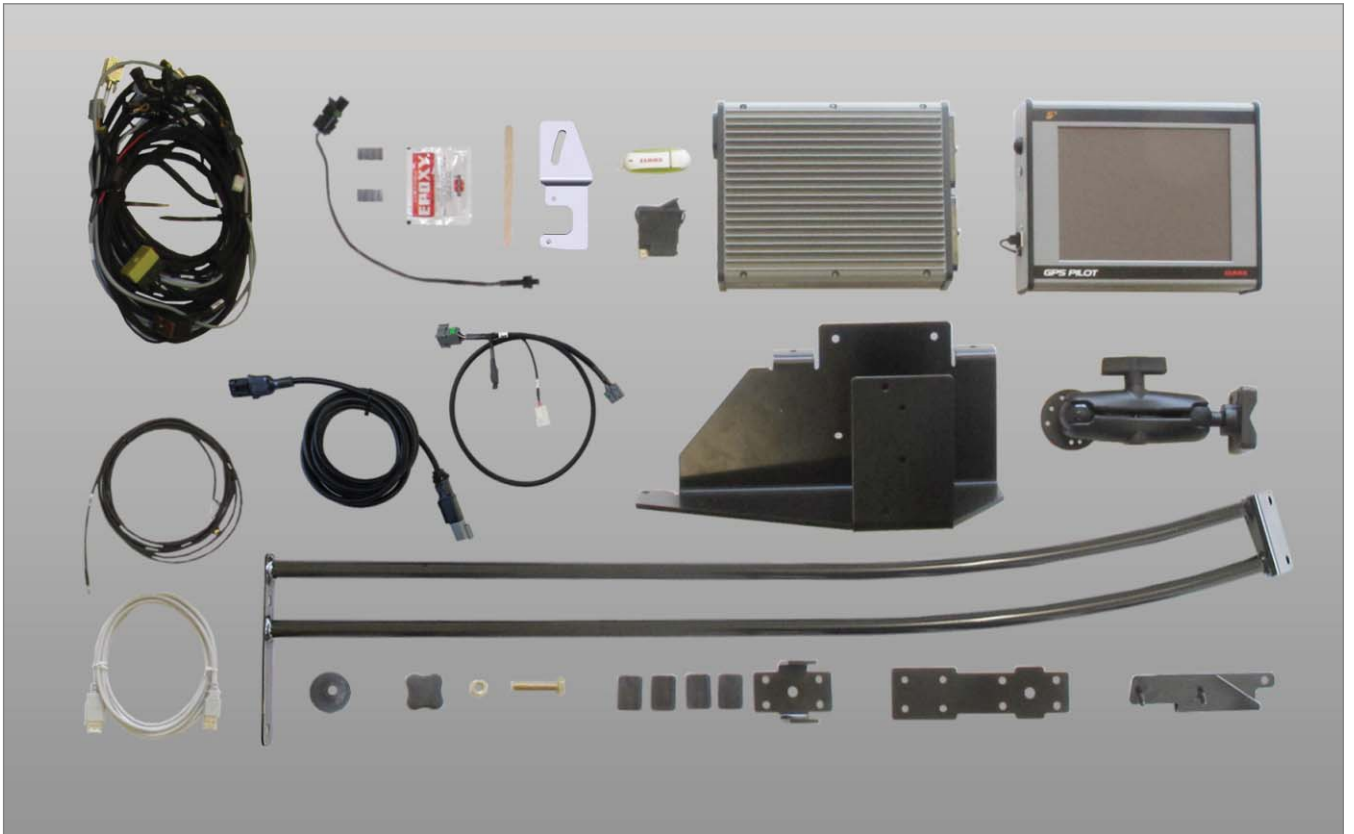
CLICK HERE TO **DOWNLOAD** THE COMPLETE MANUAL

- Thank you very much for reading the preview of the manual.
- You can download the complete manual from: [www.heydownloads.com](http://www.heydownloads.com) by clicking the link below



- Please note: If there is no response to CLICKING the link, please download this PDF first and then click on it.

CLICK HERE TO **DOWNLOAD** THE COMPLETE MANUAL



GPS PILOT

177016-001

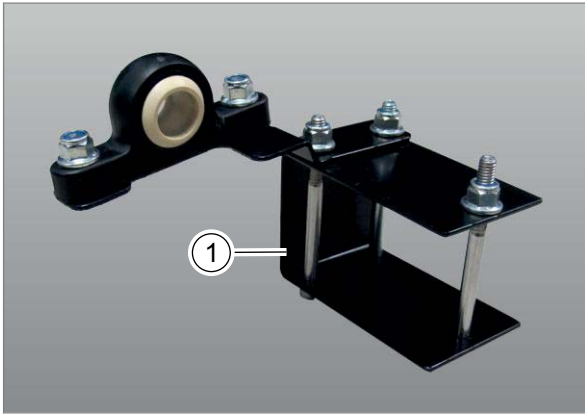
2



EGNOS, BASELINE HD

165196-001

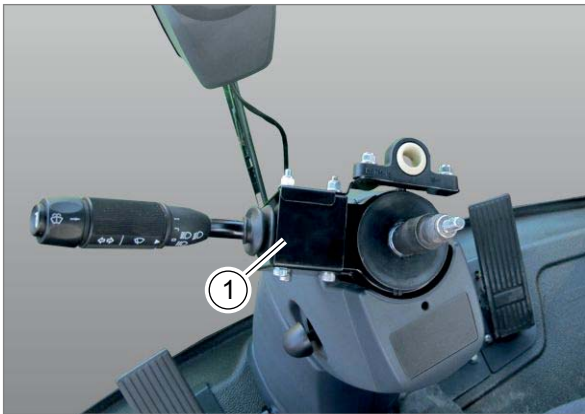
3



175723-001

1		M6x70 (3x) M6 - DIN 562 (5x)
---	--	---------------------------------

18



175724-001

1		-
---	--	---

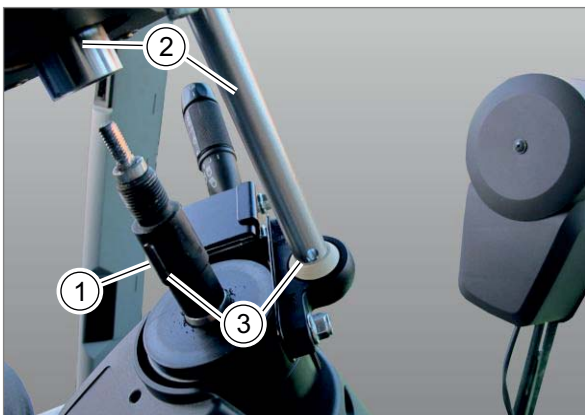
19



175765-001

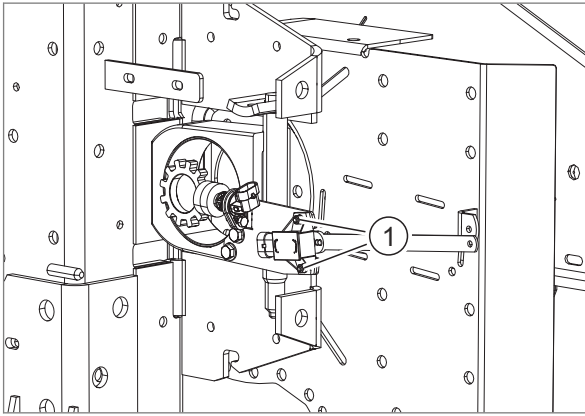
1		-
2		-
3		-

20



175714-001

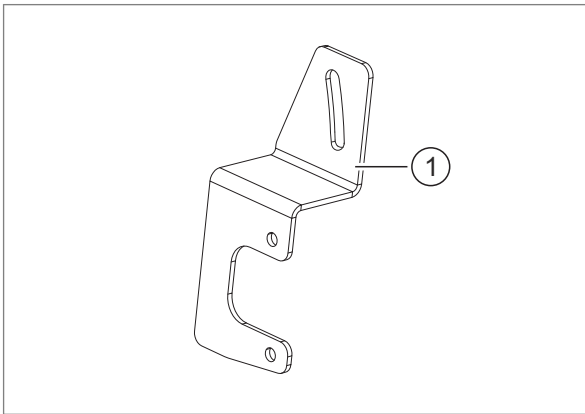
21



174872-001

1		-
---	--	---

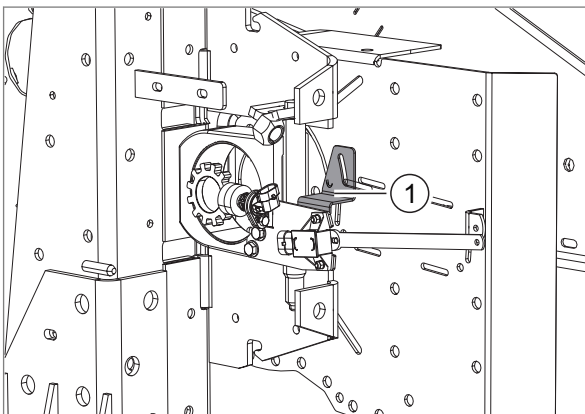
**46**



174873-001

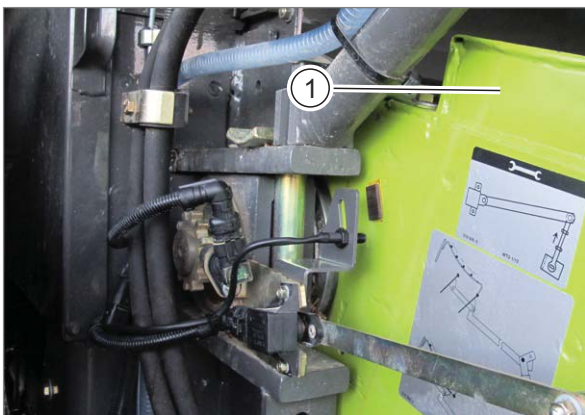
1		-
---	--	---

**47**



174875-001

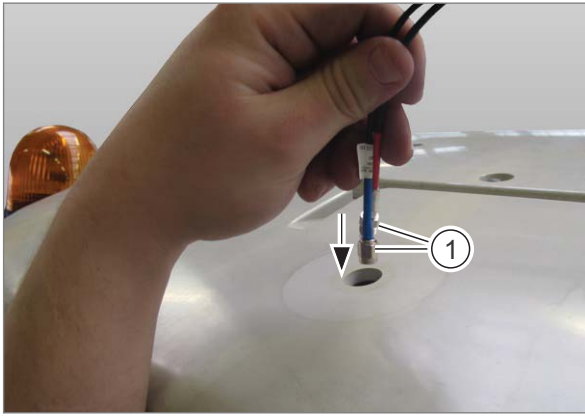
**48**



176468-001

1		-

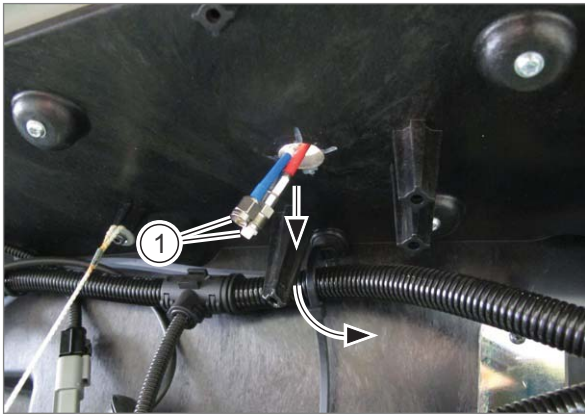
**49**



161842-001

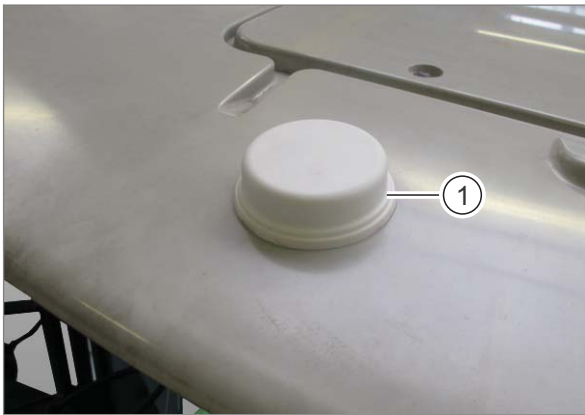
1		00 1402 448 0
---	--	---------------

76



161844-001

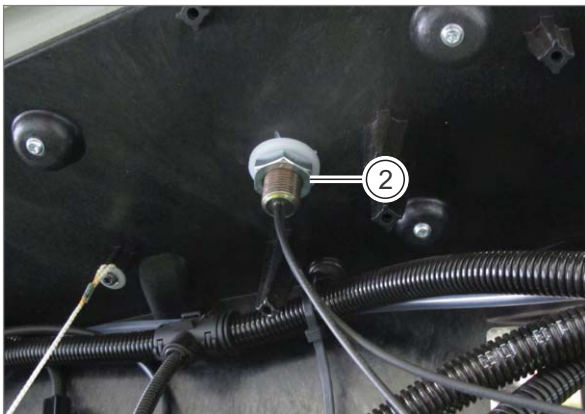
77



161845-001

1		-
2		-

78



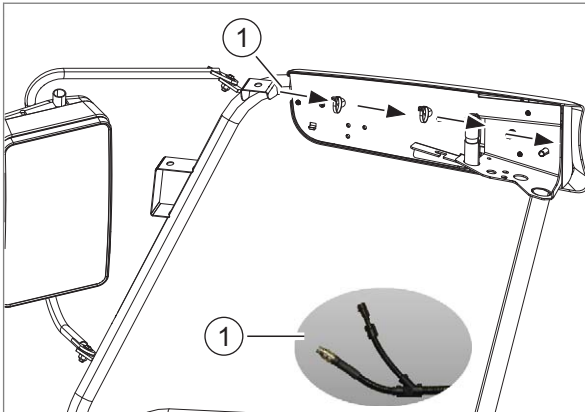
161847-001

79



00 1401 009 1

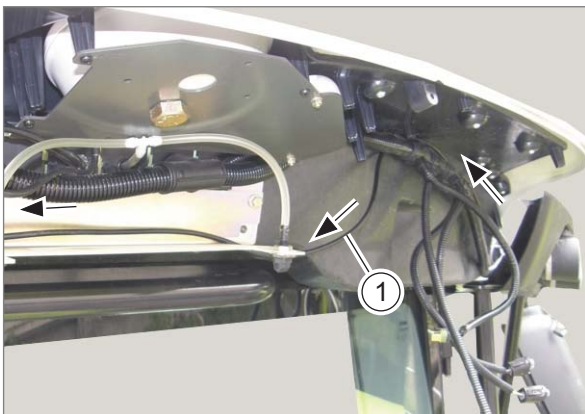
158782-001



165207-001

1		00 1401 009 1
---	--	---------------

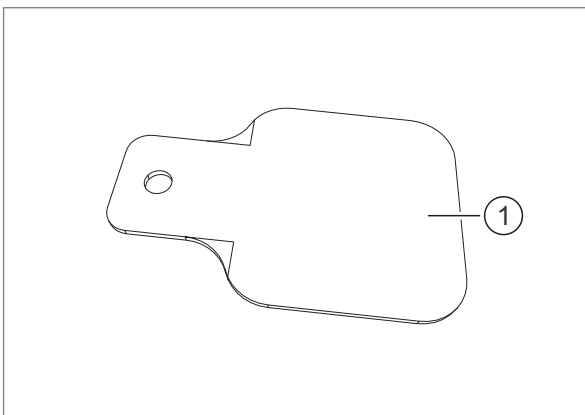
103



146232-001

1		00 1401 009 1
		(2x)

105



165070-001

1		<ul style="list-style-type: none"> <li> M10 x 25 (1x)</li> <li> A10 (2x)</li> <li> M10 - ISO 4032 (1x)</li> </ul>
---	--	---

106

**RTK**



RTK

165073-001

**133**

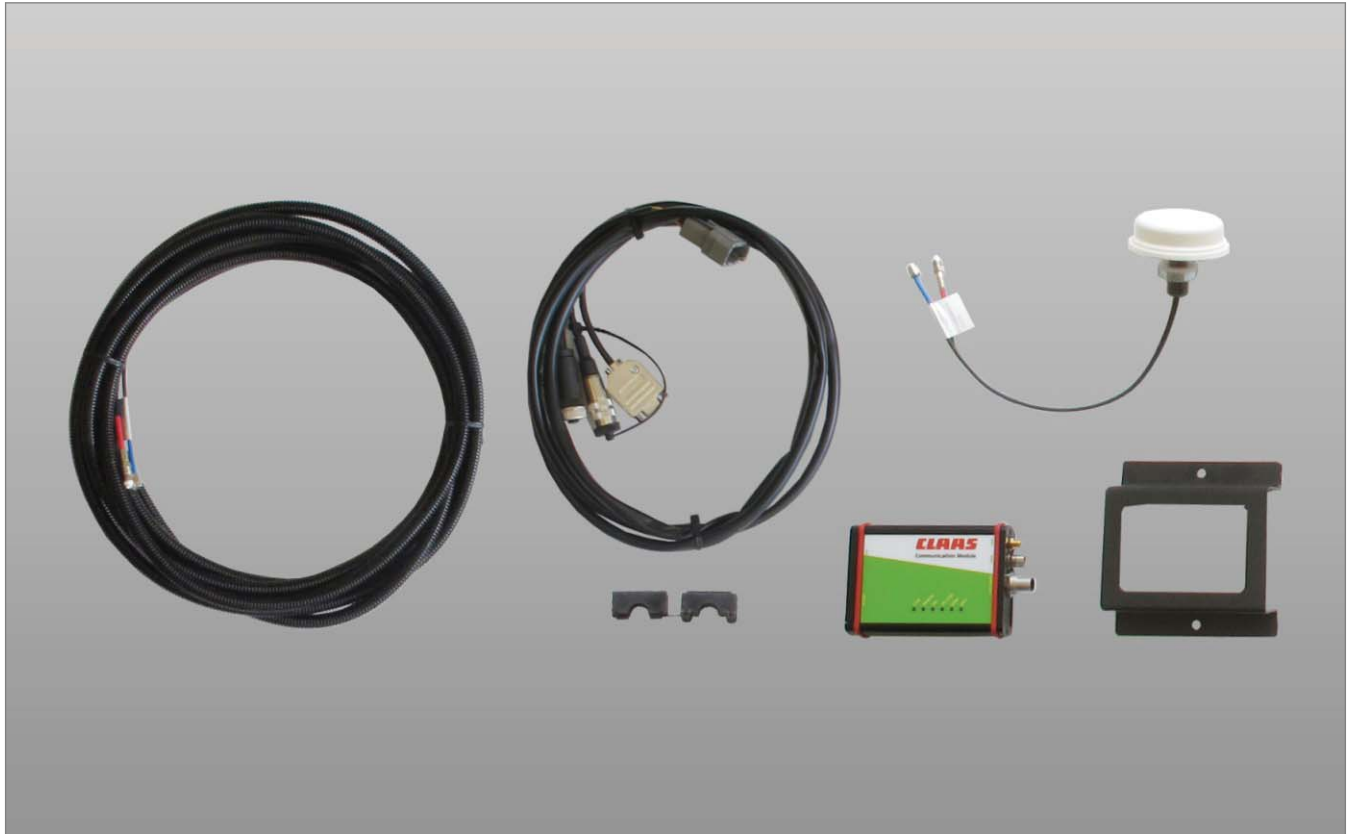


137268-001

**134**

1		-
---	--	---

RTK NET



RTK NET



163534-001

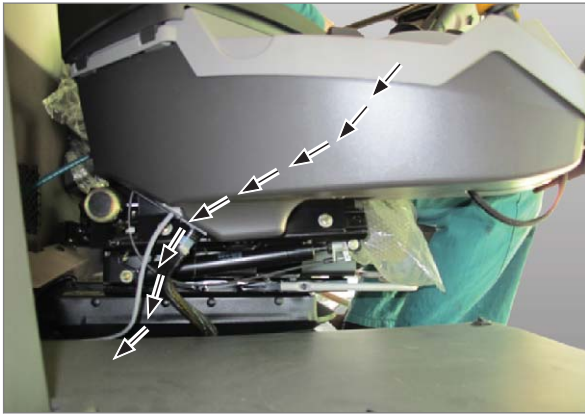
164



145917-001

165

1		-
		<p>Inbetriebnahme TSM Modul</p> <p>Putting into operation TSM Module</p> <p>Mise en service TSM Module</p> <p>Puesta en marcha TSM Módulo</p> <p>Messa in esercizio TSM Modulo</p> <p>Пуск в эксплуатацию TSM Модуль</p>



164789-001

189



164589-001

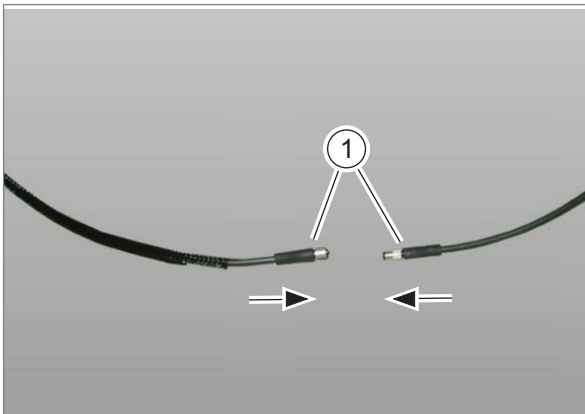
190

1		-
---	--	---



164588-001

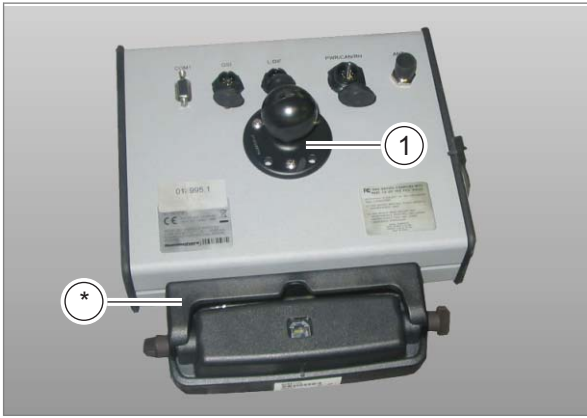
191



141537-002

192

1		00 1401 005 2 EA 00 1401 016 1
---	--	--------------------------------------

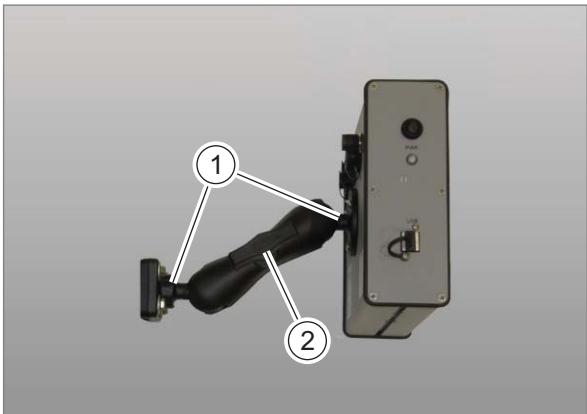


\* RTK

138115-001

223

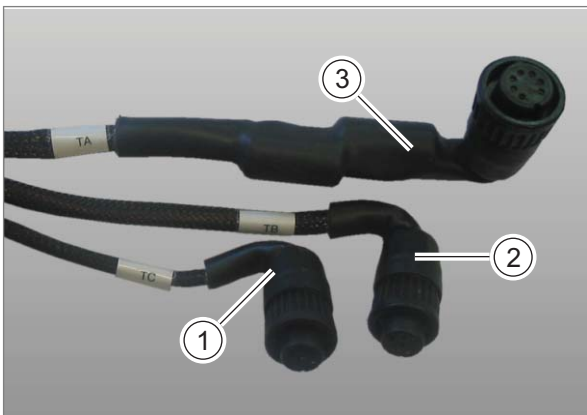
1		-
---	--	---



145685-002

224

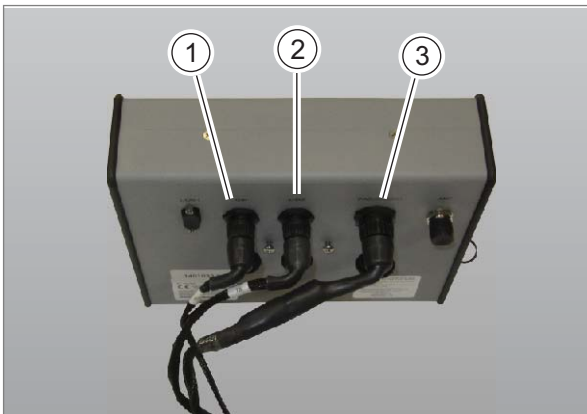
1		-
2		-



139568-001

225

1		00 1401 005 2 TA
2		00 1401 005 2 TB
3		00 1401 005 2 TC



143126-001

226

CLICK HERE TO **DOWNLOAD** THE COMPLETE MANUAL

- Thank you very much for reading the preview of the manual.
- You can download the complete manual from: [www.heydownloads.com](http://www.heydownloads.com) by clicking the link below



- Please note: If there is no response to CLICKING the link, please download this PDF first and then click on it.

CLICK HERE TO **DOWNLOAD** THE COMPLETE MANUAL