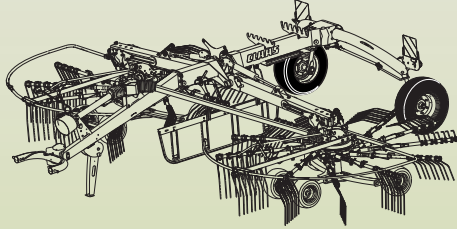


CLAAS



LINER 2900
LINER 2800

Anbauanleitung

Hydr. Kreisel-Höhenverstellung

Fitting instructions

Hydraulic rotor height adjustment

Instructions de montage

*Réglage en hauteur des toupies
hydrauliques*

Istruzioni di montaggio

*Regolazione idraulica
dell'altezza delle giranti*

Instrucciones de montaje

*Regulación hidráulica de la
altura de giroscopios*

Руководство по монтажу

*Гидравлическая
регулировка высоты
рабочего колеса*

SERVICE & PARTS

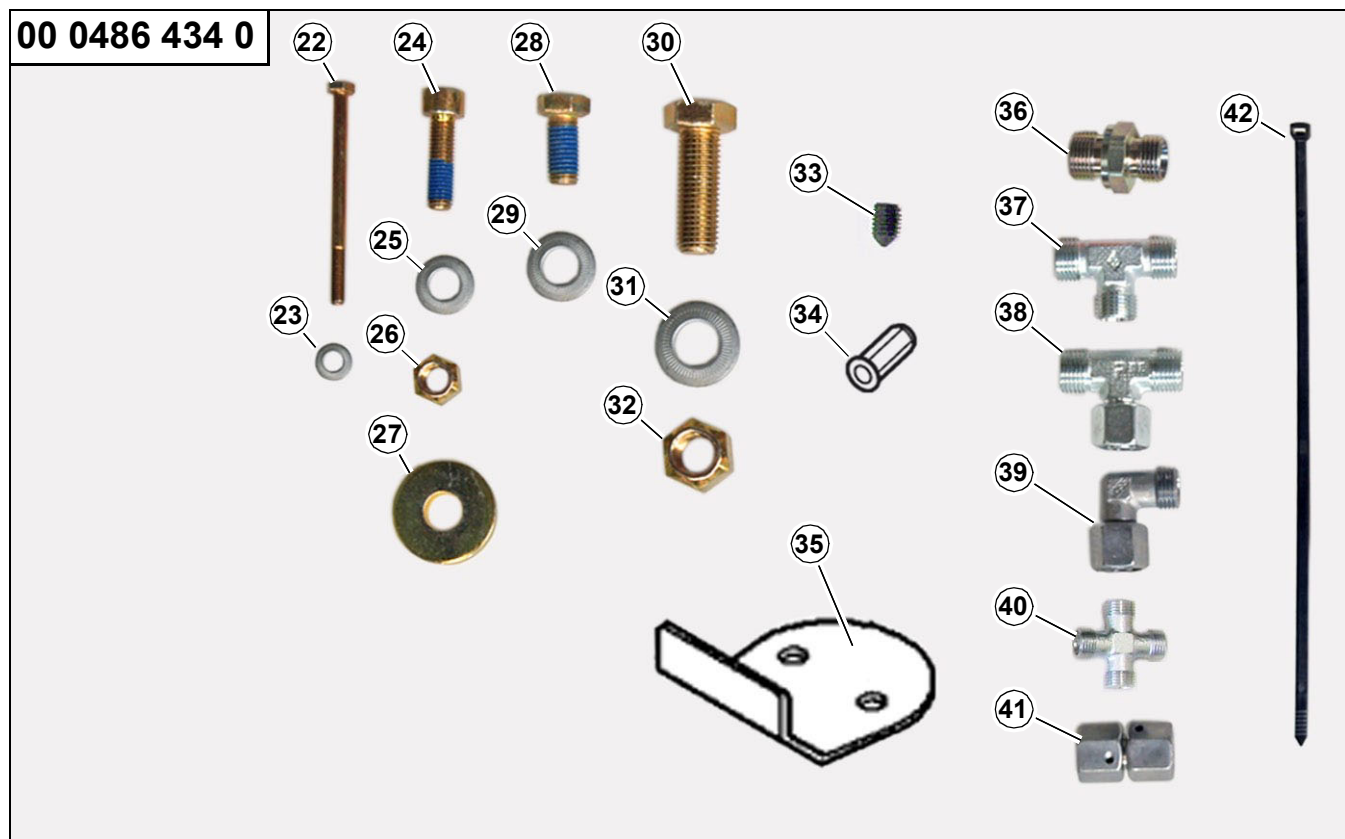
CLICK HERE TO **DOWNLOAD** THE COMPLETE MANUAL

- Thank you very much for reading the preview of the manual.
- You can download the complete manual from: www.heydownloads.com by clicking the link below



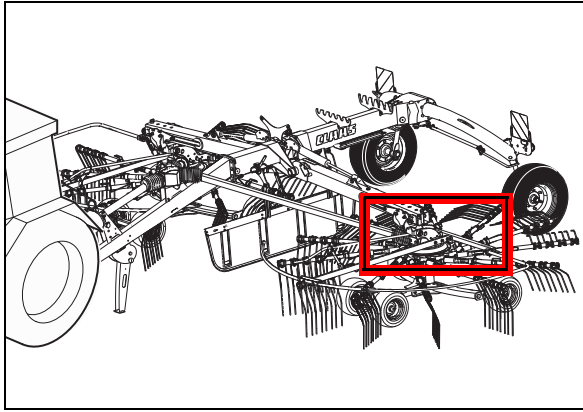
- Please note: If there is no response to CLICKING the link, please download this PDF first and then click on it.

CLICK HERE TO **DOWNLOAD** THE COMPLETE MANUAL

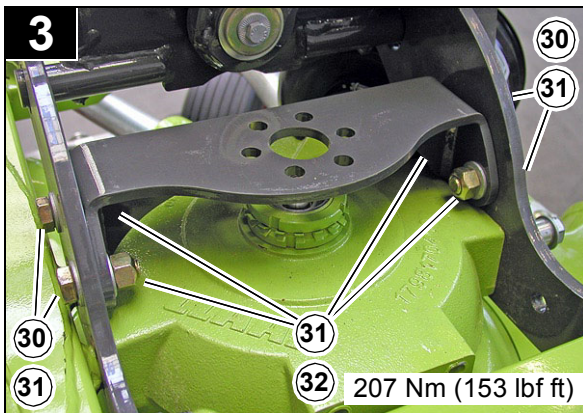
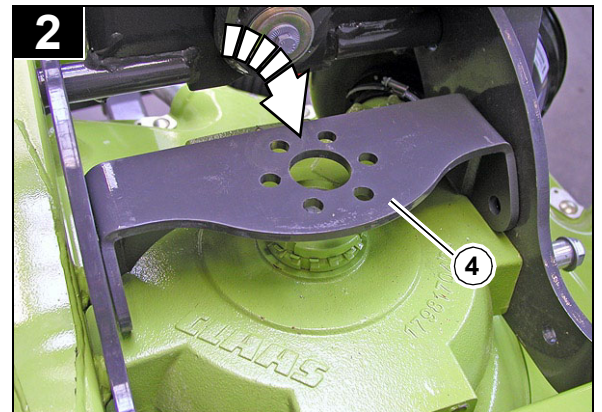
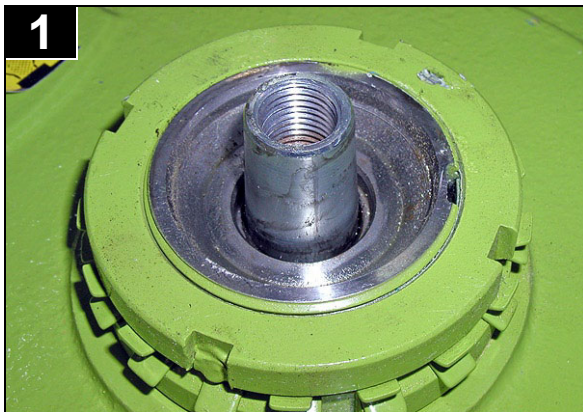


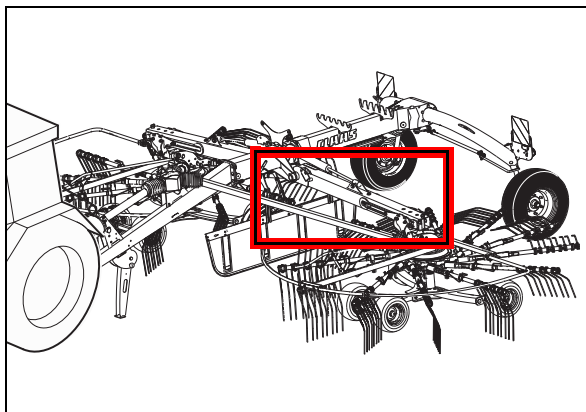
22	2x	00 0242 374 0	M6x80 ISO 4014
23	2x	00 0239 386 0	A6
24	6x	00 0216 138 0	M10x35-MK ISO 4762
25	6x	00 0239 388 0	A10
26	6x	00 0237 947 0	VM10 ISO 7042
27	2x	00 0233 577 0	8,5x30x5
28	4x	00 0233 574 0	M12x25-MKL ISO 4017
29	4x	00 0239 389 0	A12
30	8x	00 0235 585 0	M16x45 ISO 4017
31	16x	00 0239 391 0	A16
32	8x	00 0238 047 0	VM16 ISO 7042
33	2x	00 0238 375 0	M10x16 ISO 4029
34	4x	00 0215 913 0	M8x20,5-SW11
35	2x	00 1314 867 1	4x90x147

36	2x	00 0238 784 0	SDS-L10xG3/8A ISO 8434-1
37	1x	00 0238 795 0	T-L10 ISO 8434-1
38	1x	00 0239 039 0	SWOBT-L10 ISO 8434-1
39	8x	00 0238 693 0	SWOE- L10 ISO 8434-1
40	1x	00 0215 371 0	K-L10
41	2x	00 0216 093 0	L10
42	50x	00 0237 871 0	4,7x188



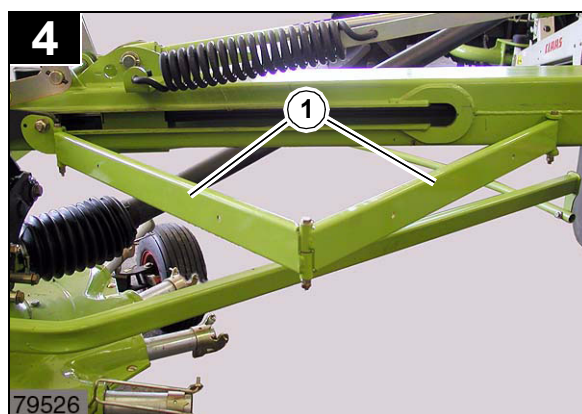
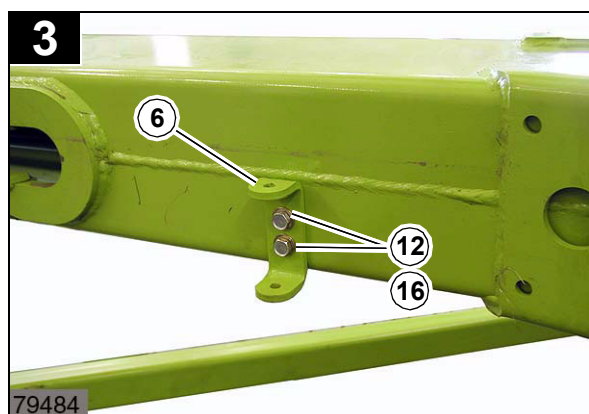
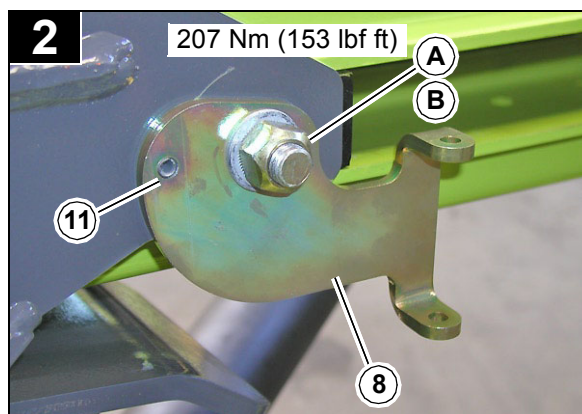
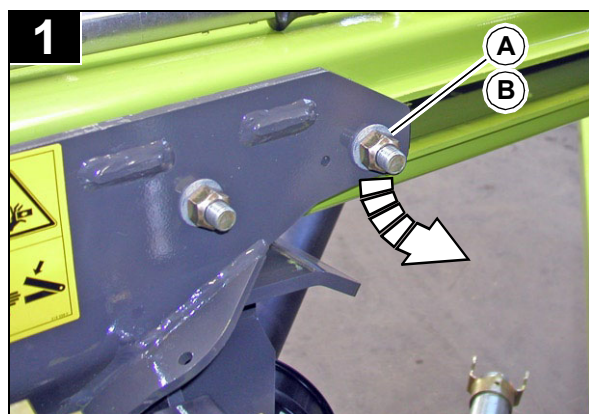
④	1x		
③①	4x		M16x45 ISO 4017
③①	8x		A16
③②	4x		VM16 ISO 7042 207 Nm (153 lbf ft)

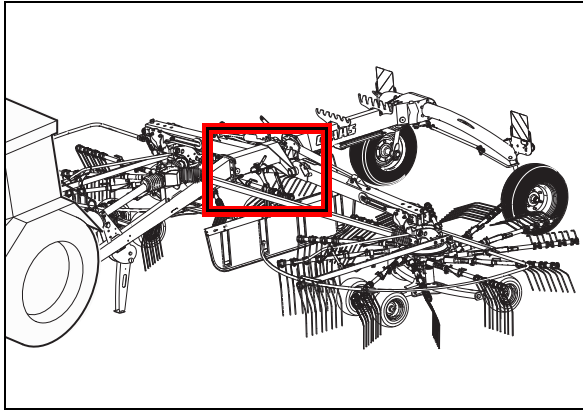






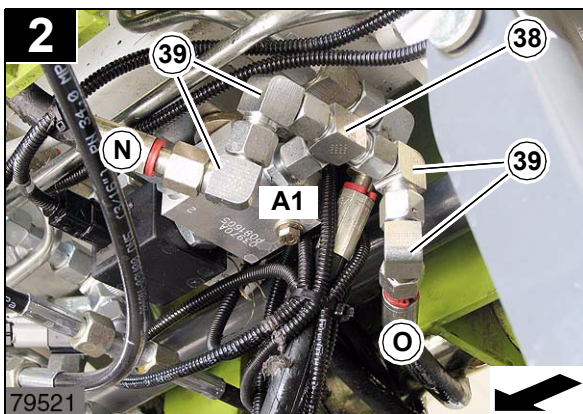
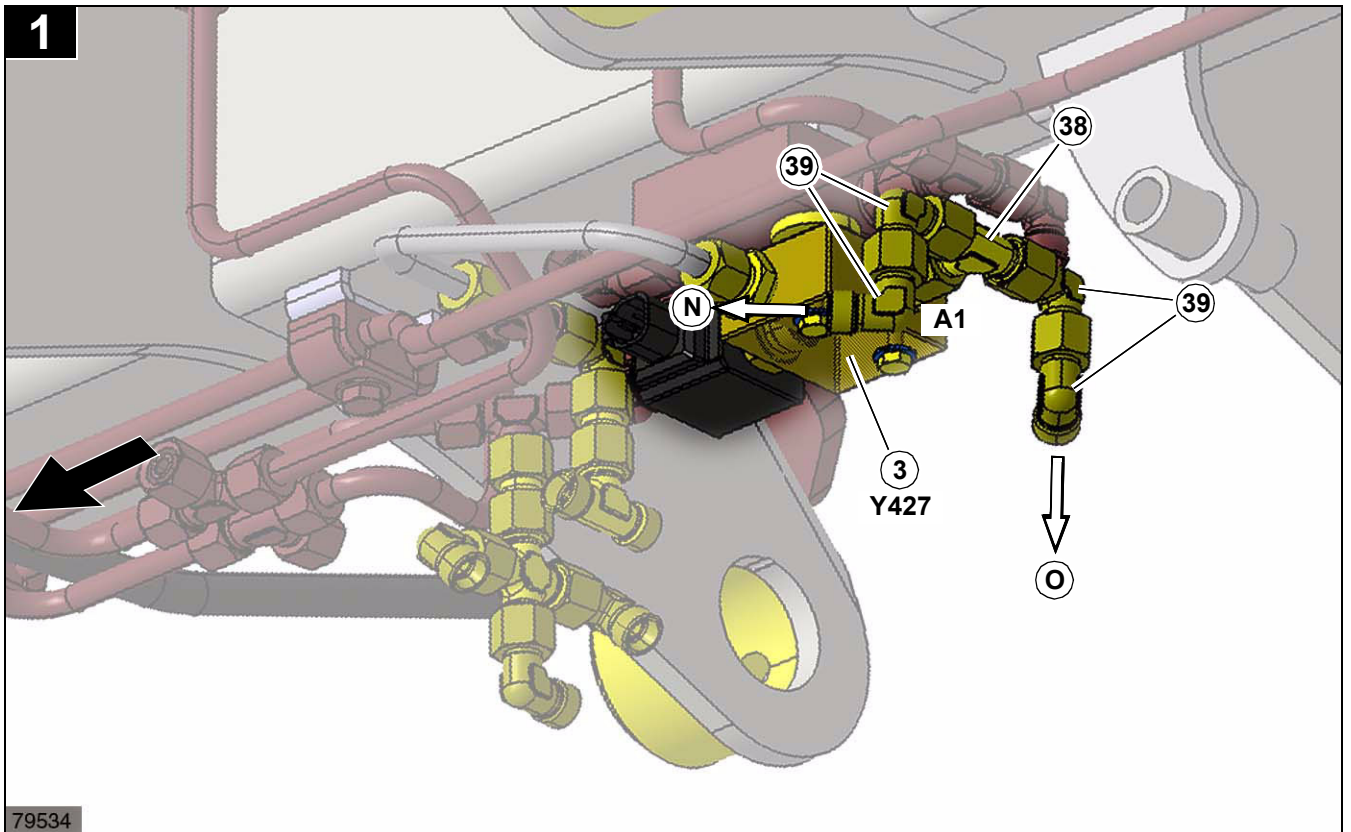
A	4x		VM16 ISO 7042 207 Nm (153 lbf ft)
B	8x		A16
1	2x		
6	1x		6x30x141

8	1x		6x100x132 links / L/H / gauche
11	1x		8x14 ISO 8752
12	2x		M8x25 ISO 4017
14	1x		M8x100 ISO 4014
15	2x		M8x110 ISO 4014
16	8x		A8
17	1x		8,4x17x3
18	3x		M8 ISO 4032
19	3x		VM8 ISO 7042





38	1x		SWOBT-L10 ISO 8434-1
39	4x		SWOE-L10 ISO 8434-1



CLICK HERE TO **DOWNLOAD** THE COMPLETE MANUAL

- Thank you very much for reading the preview of the manual.
- You can download the complete manual from: www.heydownloads.com by clicking the link below



- Please note: If there is no response to CLICKING the link, please download this PDF first and then click on it.

CLICK HERE TO **DOWNLOAD** THE COMPLETE MANUAL