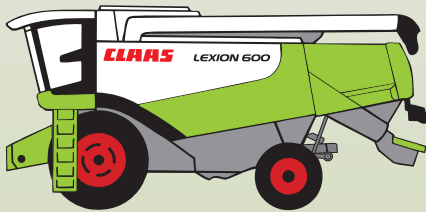


# **CLAAS**



**LEXION 600 / 570  
LEXION 570 MONTANA**

## **Anbauanleitung**

**3-D-Reinigung**

## **Fitting Instructions**

**3-D Cleaning System**

## **Notice de montage**

**Nettoyage 3-D**

***SERVICE & PARTS***

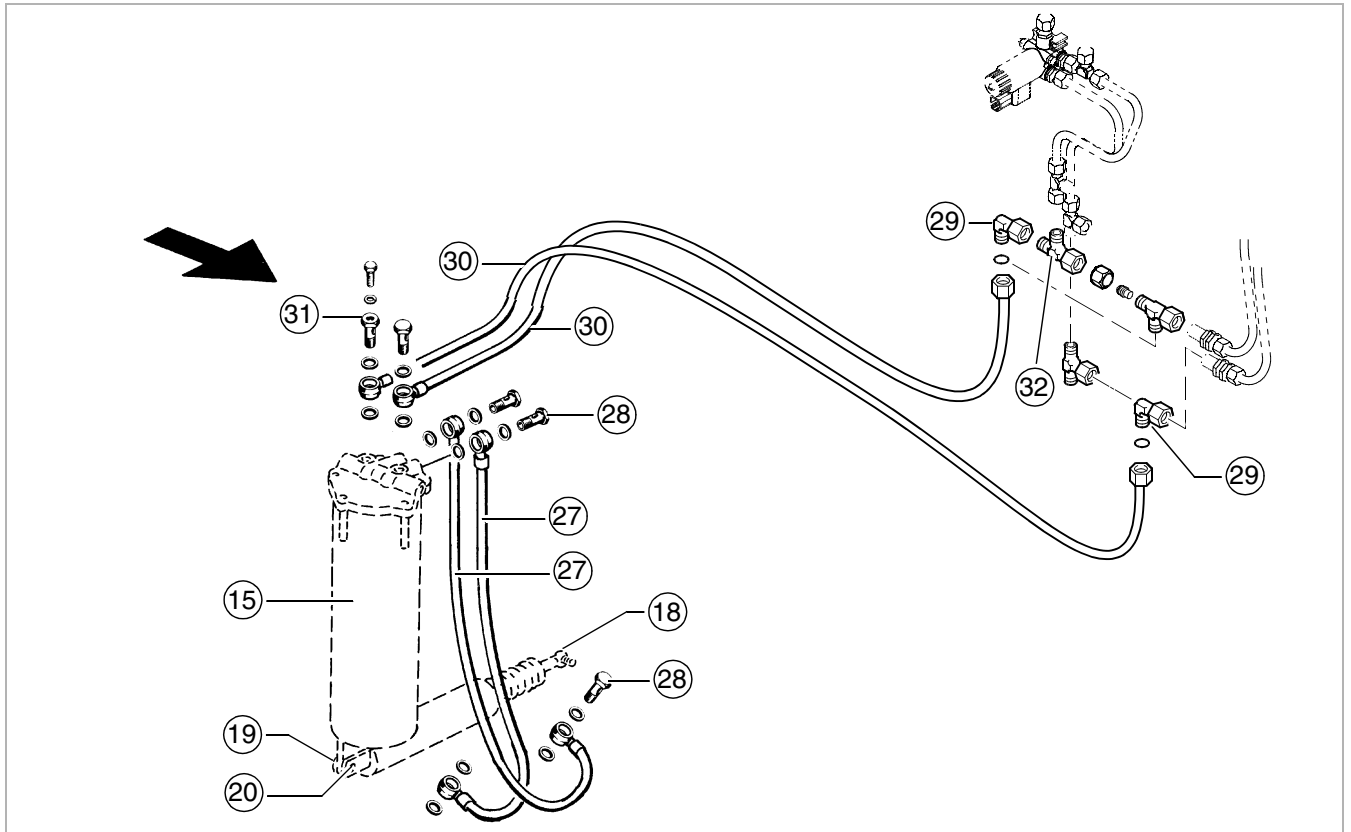
CLICK HERE TO **DOWNLOAD** THE COMPLETE MANUAL

- Thank you very much for reading the preview of the manual.
- You can download the complete manual from: [www.heydownloads.com](http://www.heydownloads.com) by clicking the link below



- Please note: If there is no response to CLICKING the link, please download this PDF first and then click on it.

CLICK HERE TO **DOWNLOAD** THE COMPLETE MANUAL



5283

**3**

Pos.-Nr.	Bezeichnung	Abmessungen	Norm ISO/DIN	Anzahl
18	Hydraulikzylinder			1
19	Sechskantschraube	M 8 x 35	4014-10.9	1
	Sechskantmutter	M 8		1
	Contact-Scheibe	A 8		1
20	Hülse			1
27	Schlauchleitung			2
28	Hohlschraube			5
29	Winkel			2
30	Schlauchleitungen			2
31	Hohlschraube mit Entlüftungsschraube			1
32	L-Stutzen bei Quantimeter			1

(Abb. 3)

# 1 Introduction

## 1.1 General Information

1457

### 1.1.1 How to use this manual

This manual shows you how to assembly the parts listed in the Package List section.

In the following chapters, the cutterbar is referred to as a front attachment. The combine harvester / forage harvester is referred to as the machine.

Text and pictures are kept neutral if possible. Differences are indicated using picture headings or text notes.

In the assembly descriptions, for better clarification, existing parts are designated using letters and new parts are designated using numbers.

Directions such as front, back, right and left are always relative to the direction of travel.

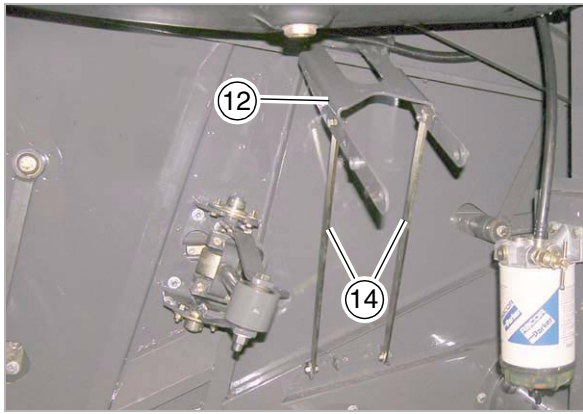
Technical data, dimensions and weights are given as an indication only. We reserve the right to make changes in response to technical development and errors.

12580

### 1.1.2 Validity of instructions

These instructions apply to the following machine / front attachment:

Designation	TYPE	Machine serial number	
		from	to
LEXION 600	589	58900011	-
LEXION 570	585	58500011	-
LEXION 570 MONTANA	581	58100011	-

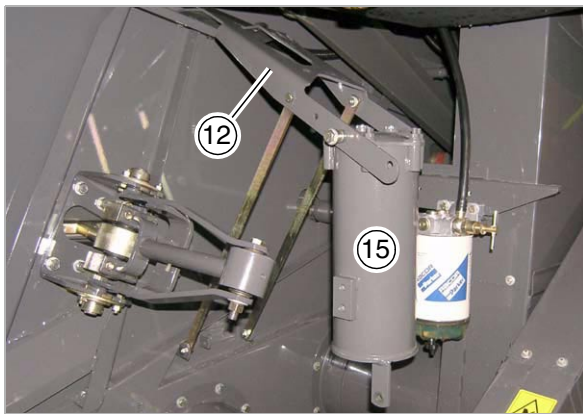


11

5270

- Fasten the holder (12) loosely for the time being to the side panel with bolts (13).
- Bolt bracket (12) together with bracket (H), using supports (14). Tighten all bolts.

(Fig. 11)

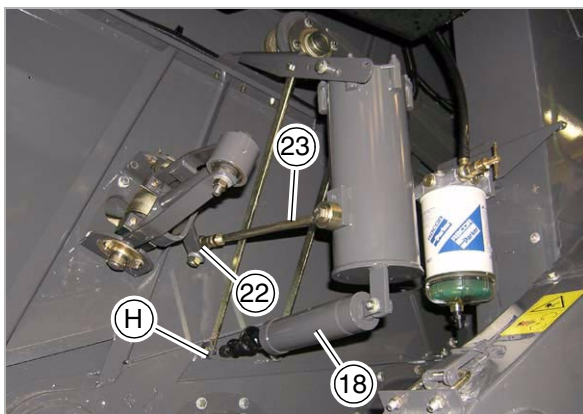


12

5271

- Bolt down the pendulum control unit (15) in bracket (12), using spacer bushings (16) and bolts (17).

(Fig. 12)

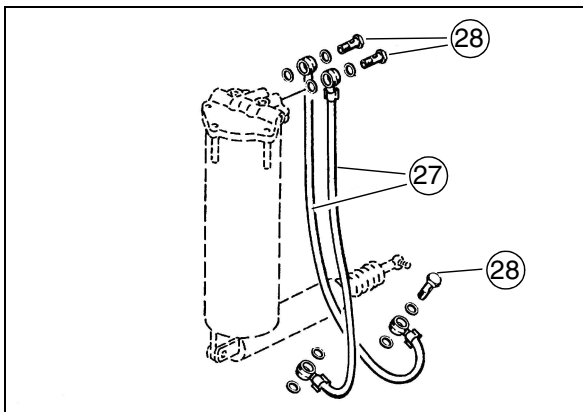


13

5272

- Bolt hydraulic cylinder (18) down to the pendulum control unit (15), using bolt (19) and sleeve (20).
- Bolt hydraulic cylinder (18) down to bracket (H).
- Bolt nut (21) and angle joint (22) on the control lever (23).
- Bolt the control lever (23) down to the pendulum control unit (15) in the bottom hole with the plastic bushing (24), the spacer bushing (25) and bolt (26).
- Bolt the control lever (23) down to the pivot arm (6).

(Fig. 13)



14

5273

- Bolt the hoses (27) down to the pendulum housing and to the hydraulic cylinder, using hollow screws (28).

(Fig. 14)

N° Pos.	Désignation	Dimensions	Norme ISO/DIN	Nombre
22	Articulation angulaire			1
23	Tige de commande			1
24	Douille en plastique			1
25	Douille d'entretoisement			1
26	Vis six pans	M 12 x 35 MK	4017	1
	Rondelle contact	A 12		1

CLICK HERE TO **DOWNLOAD** THE COMPLETE MANUAL

- Thank you very much for reading the preview of the manual.
- You can download the complete manual from: [www.heydownloads.com](http://www.heydownloads.com) by clicking the link below



- Please note: If there is no response to CLICKING the link, please download this PDF first and then click on it.

CLICK HERE TO **DOWNLOAD** THE COMPLETE MANUAL