

Anbauanleitung

GPS PILOT

Руководство по установке

GPS PILOT

Fitting Instructions

GPS PILOT

Notice de montage

GPS PILOT

Instrucciones de montaje

GPS PILOT

Istruzioni di montaggio

GPS PILOT



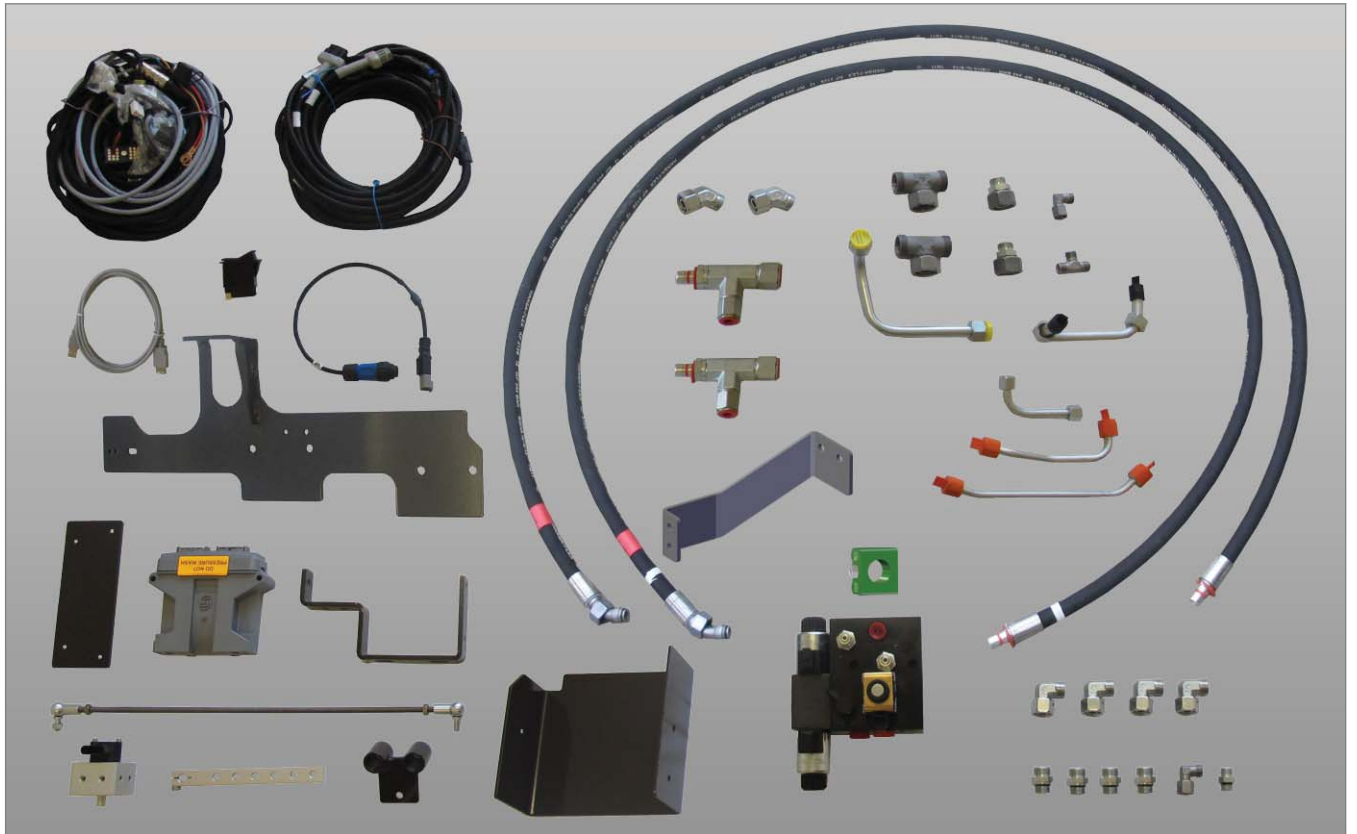
CLICK HERE TO **DOWNLOAD** THE COMPLETE MANUAL

- Thank you very much for reading the preview of the manual.
- You can download the complete manual from: www.heydownloads.com by clicking the link below



- Please note: If there is no response to CLICKING the link, please download this PDF first and then click on it.

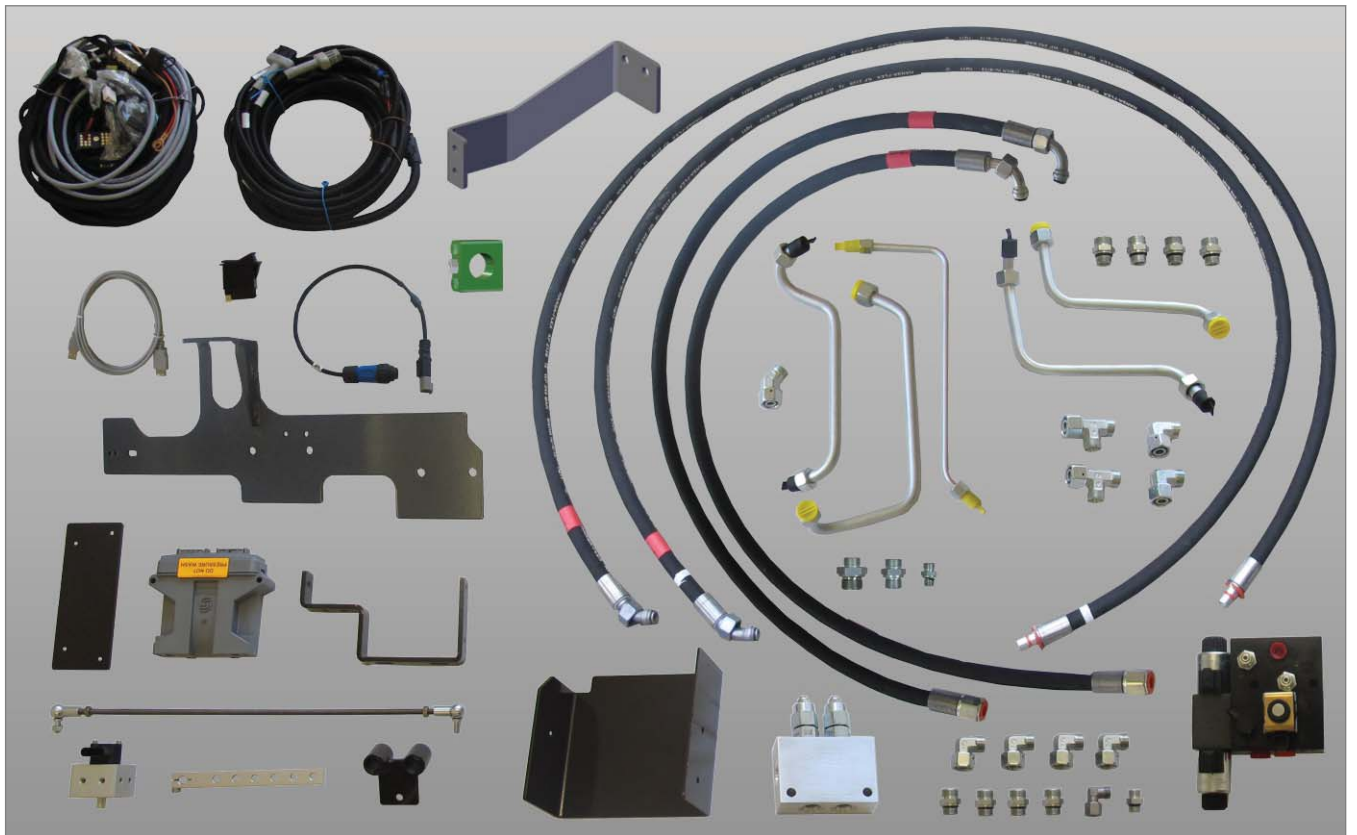
CLICK HERE TO **DOWNLOAD** THE COMPLETE MANUAL



40km/h +Powerbeyond

165816-002

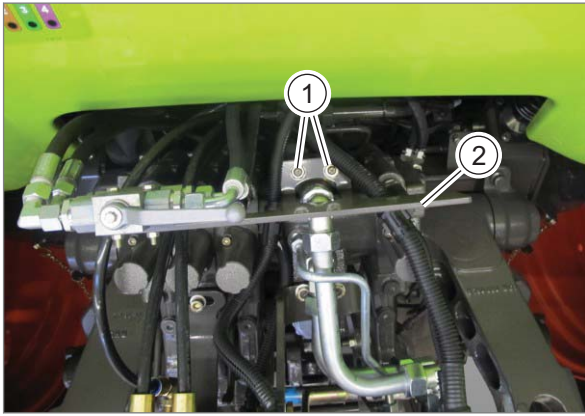
2



50km/h -Powerbeyond

165818-002

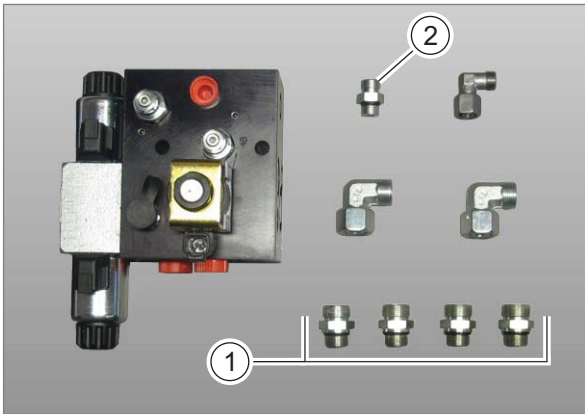
3



156112-001

18

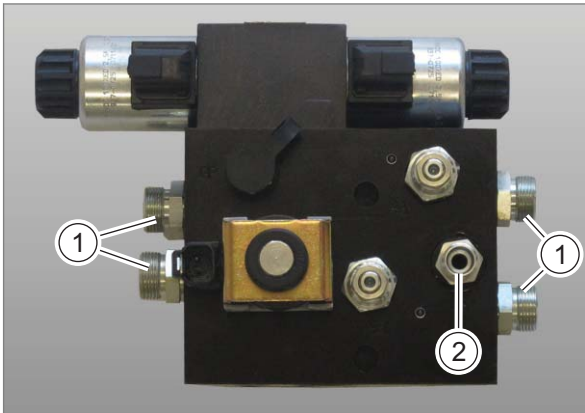
1		-
		-
2		-



156467-001

19

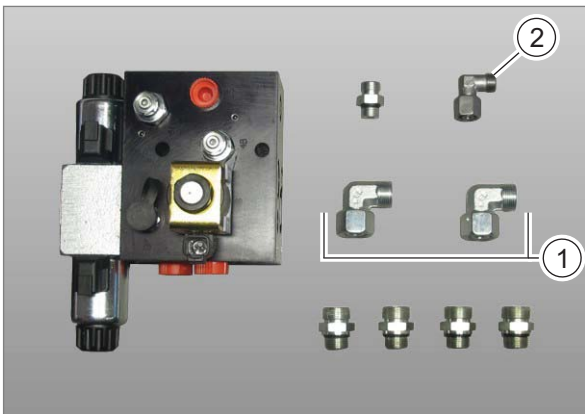
1		-
2		-



155371-001

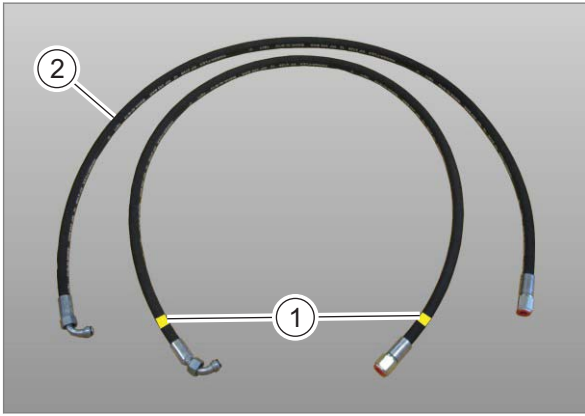
20

1		-
2		-

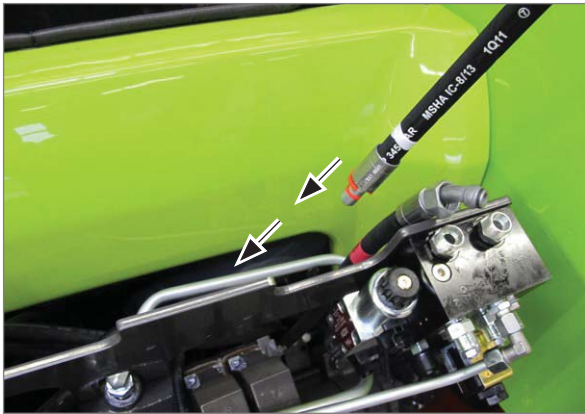


156468-001

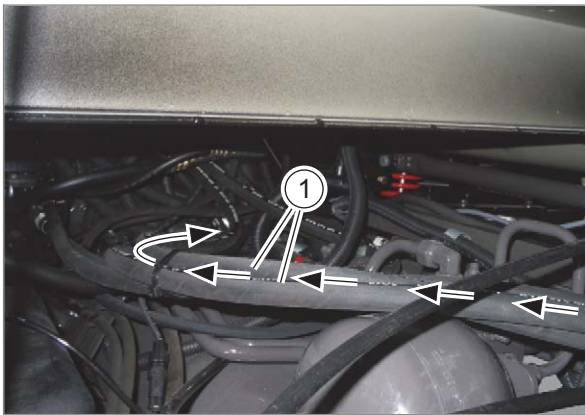
21







156500-001






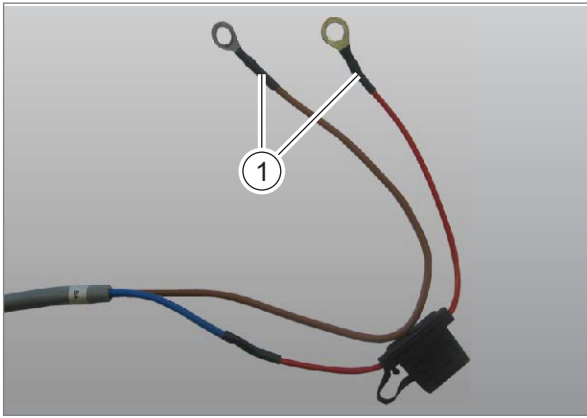
156119-001



156304-001

1		-
52	 	00 1402 408 0
		

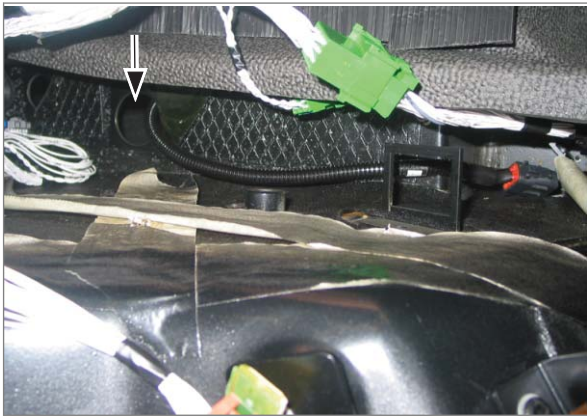
53		
54	 	00 1402 408 0
		



139465-001

143

1		00 1401 005 2 BA



HEXASHIFT - CEBIS

139462-001

144



HEXASHIFT - CIS / CMATIC

140655-001

145



139463-002

146

1		00 1401 005 2 BA

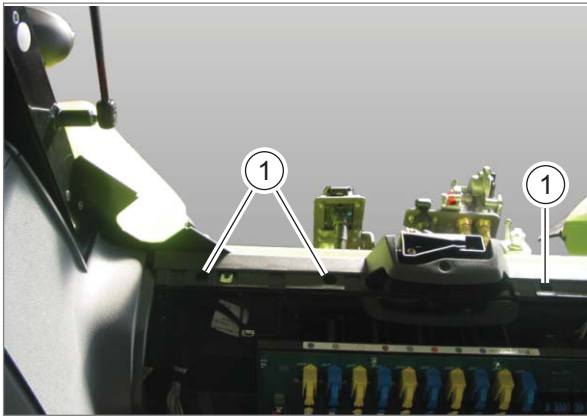
CLICK HERE TO **DOWNLOAD** THE COMPLETE MANUAL

- Thank you very much for reading the preview of the manual.
- You can download the complete manual from: www.heydownloads.com by clicking the link below



- Please note: If there is no response to CLICKING the link, please download this PDF first and then click on it.

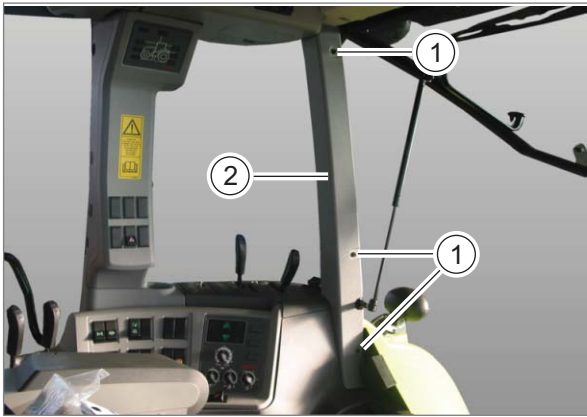
CLICK HERE TO **DOWNLOAD** THE COMPLETE MANUAL



140544-001

171

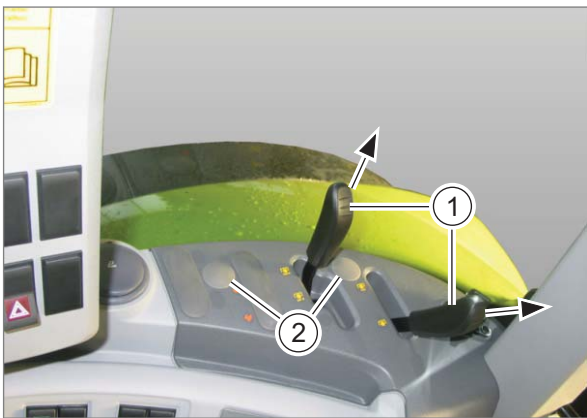
1		-
---	--	---



140543-001

172

1		-
2		-



140545-002

173

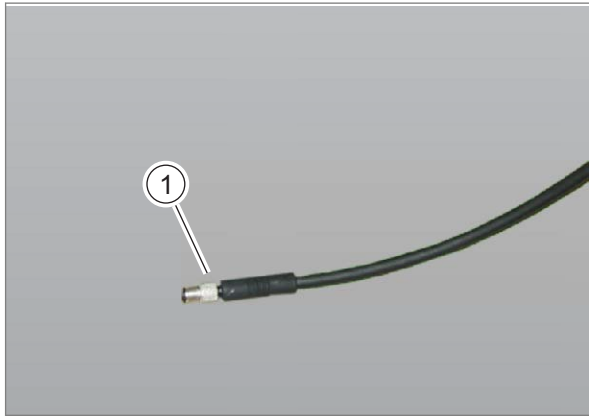
1		-
2		-
		-



136655-001




174

1		-
---	--	---



141538-002

206

1		00 1401 014 0
		
		






140276-001

207



144217-001

208

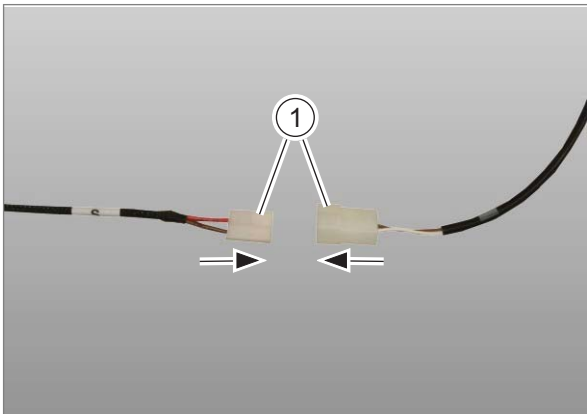
1		00 1401 014 0
		
		



141526-001

236

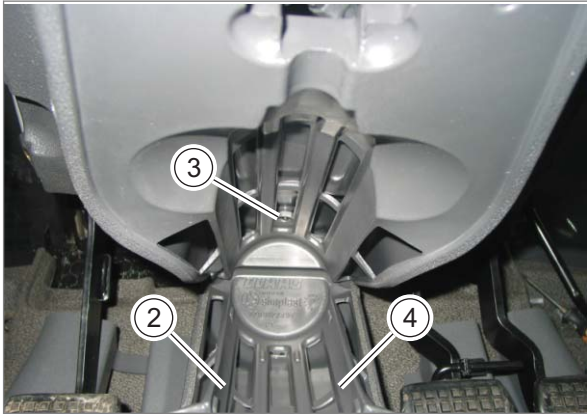
1		-



144570-001

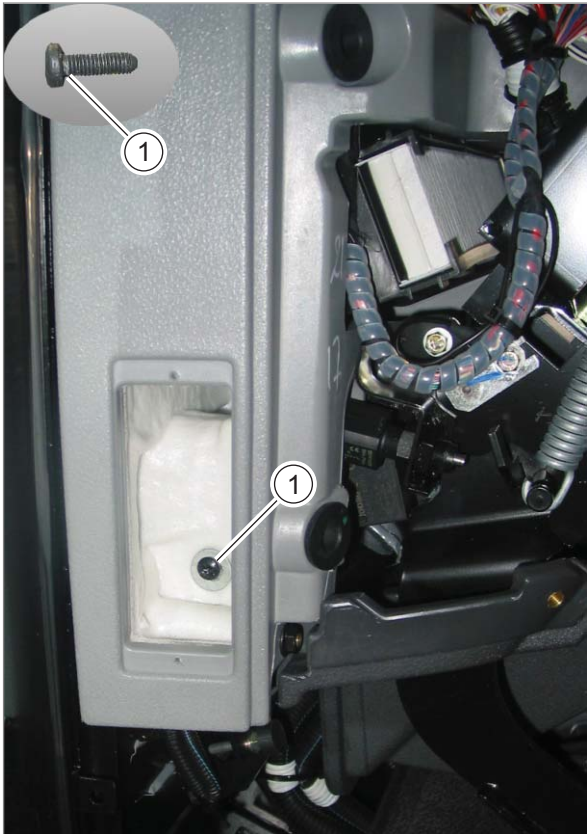
237

1		00 1401 005 2 S
---	--	--------------------



136505-001

269



136506-001

270

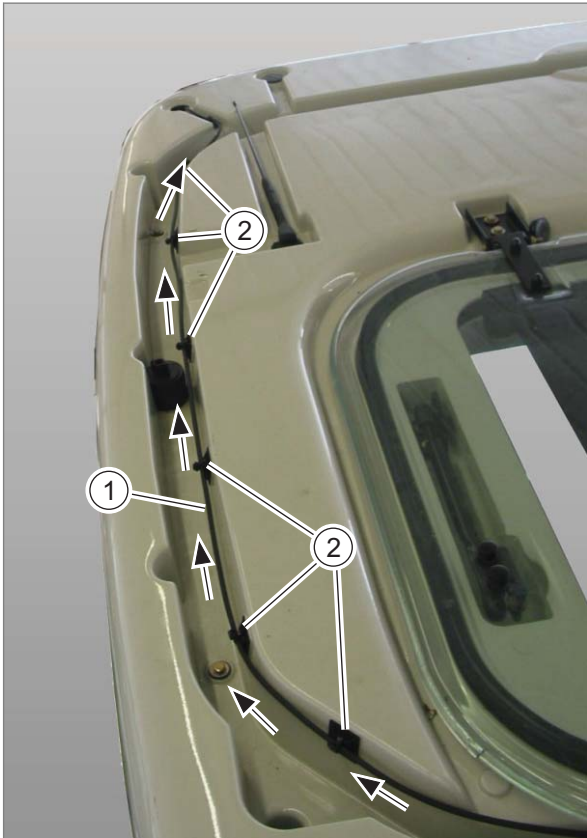


136507-001

271

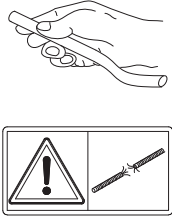

1		-
---	--	---

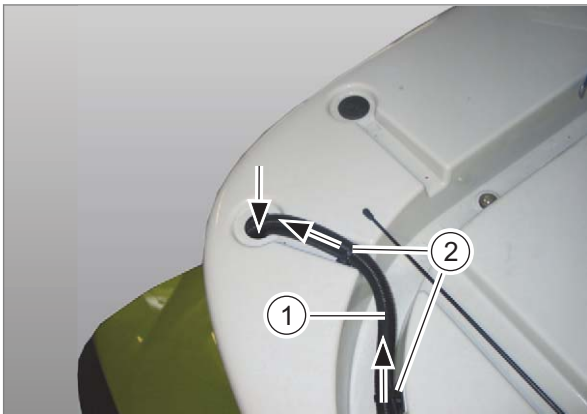
1		-
---	--	---



136530-002

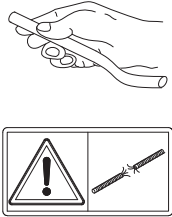

292

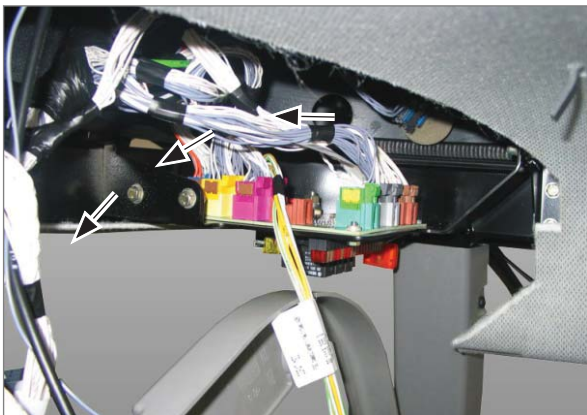
1		00 1400 150 0
2		-



136466-002

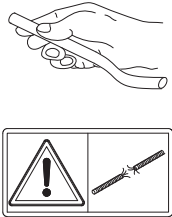
293

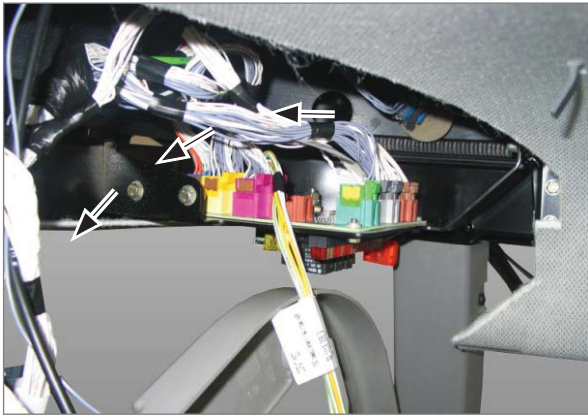
1		00 1400 150 0
2		-



136542-002

294

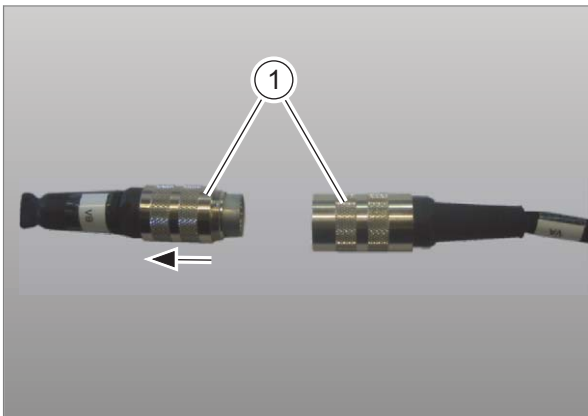
1		00 1400 150 0
---	--	---------------



136542-002

1		00 1401 007 1
---	--	---------------

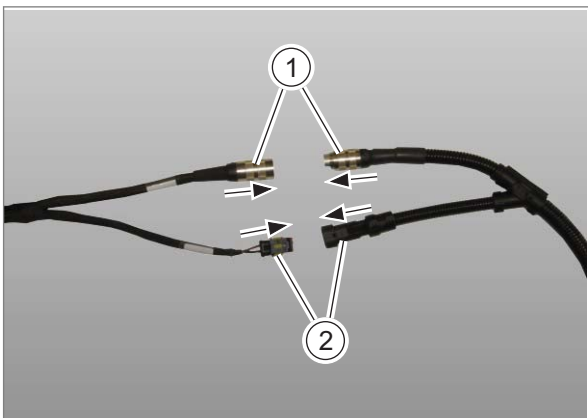
316



140328-002

1		00 1401 005 2 VA, VB
---	--	-------------------------

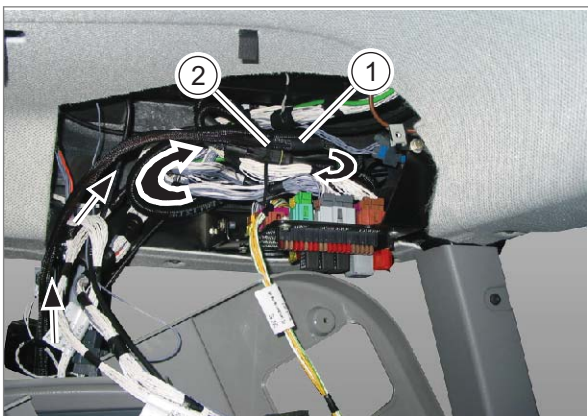
317



144568-001

1		00 1401 005 2 VA 00 1401 007 1
2		00 1401 005 2 PA 00 1401 007 1

318

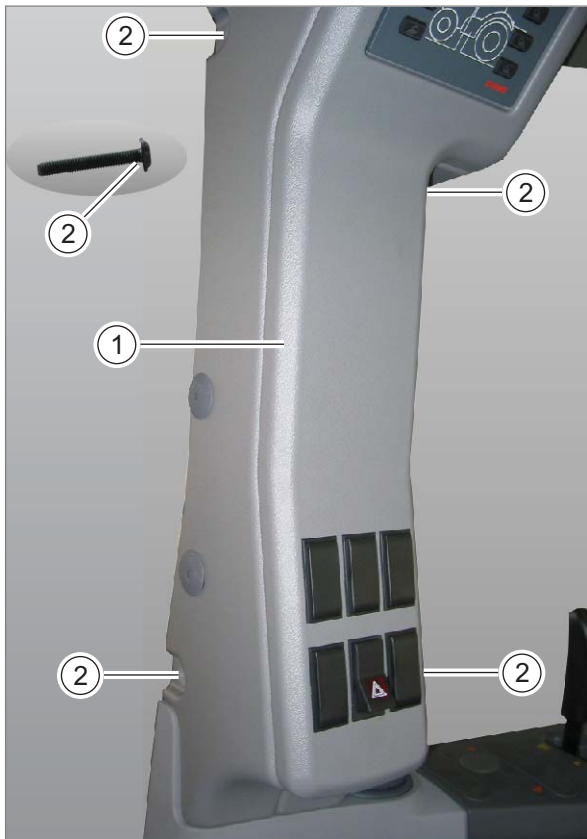


OMNISTAR HP, RTK ready

136549-001

1		00 1401 005 2 00 1401 007 1
2		-

319



140435-001

368

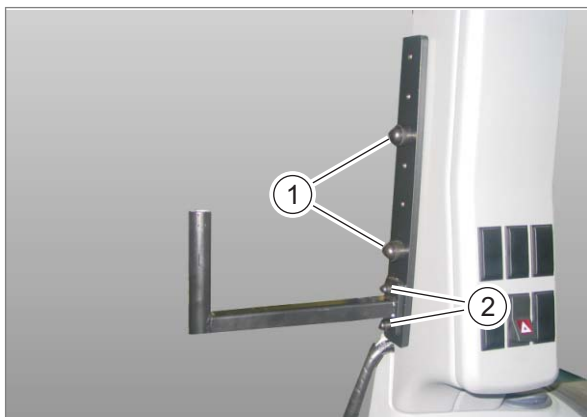
1		-
2		-



140436-001

369

1		-
2		-



138110-001

370

1		<ul style="list-style-type: none"> M10x25 (2x) A10 (2x) M10 - ISO 4032 (2x) M10 (2x)
2		<ul style="list-style-type: none"> M6x16 (2x) A6 (2x) M6 - ISO 4032 (2x) M6 (2x)

CLICK HERE TO **DOWNLOAD** THE COMPLETE MANUAL

- Thank you very much for reading the preview of the manual.
- You can download the complete manual from: www.heydownloads.com by clicking the link below



- Please note: If there is no response to CLICKING the link, please download this PDF first and then click on it.

CLICK HERE TO **DOWNLOAD** THE COMPLETE MANUAL