

ARION 600

CLAAS

Anbauanleitung

GPS PILOT



Service & Parts

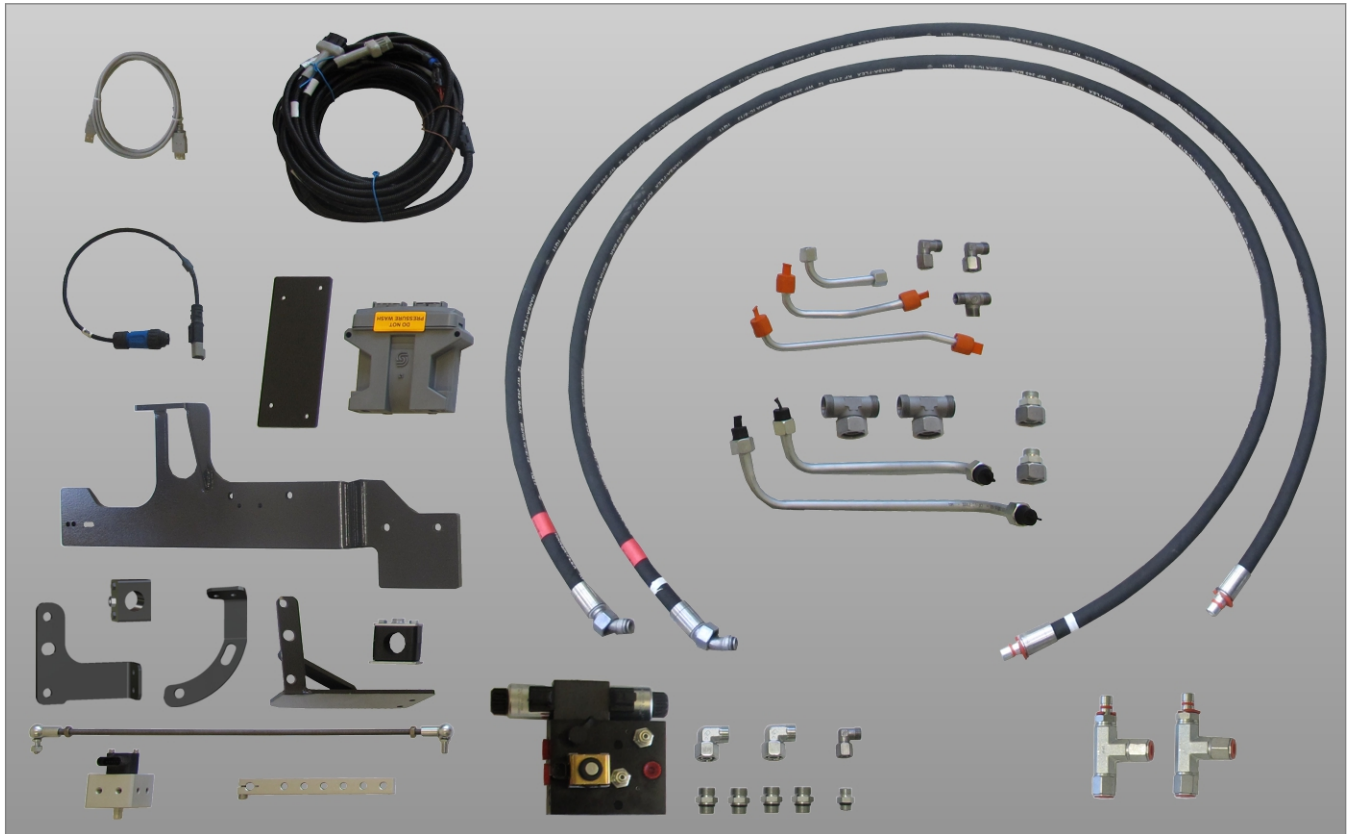
CLICK HERE TO **DOWNLOAD** THE COMPLETE MANUAL

- Thank you very much for reading the preview of the manual.
- You can download the complete manual from: www.heydownloads.com by clicking the link below



- Please note: If there is no response to CLICKING the link, please download this PDF first and then click on it.

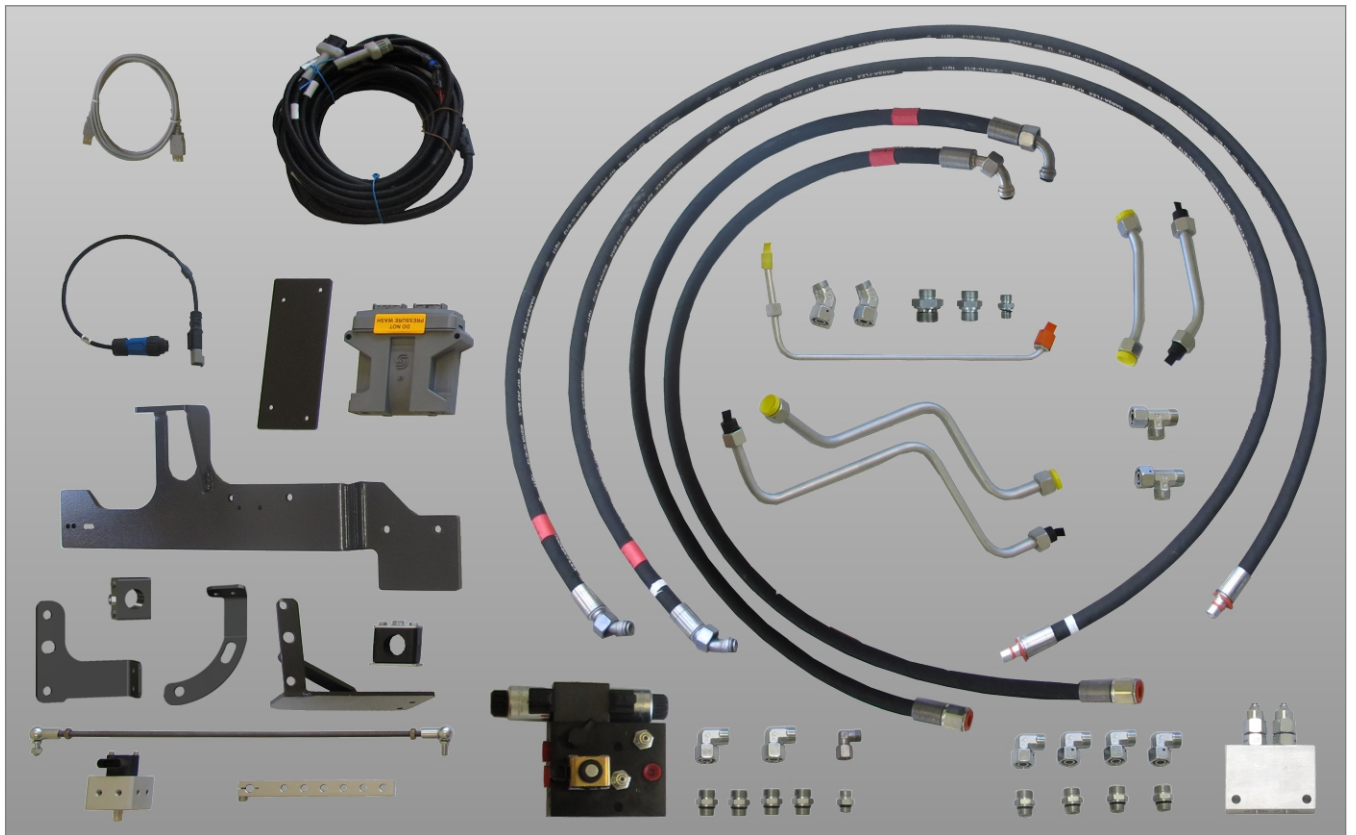
CLICK HERE TO **DOWNLOAD** THE COMPLETE MANUAL



40km/h +Powerbeyond

244985-001

2



50km/h -Powerbeyond

244986-001

3



143853-001

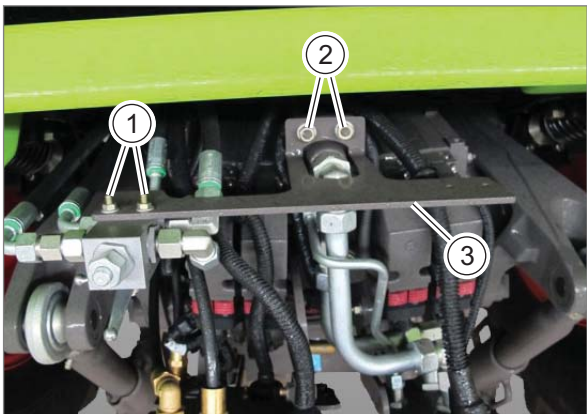
GPS PILOT

18	1		-
	2		-
	3		OFF
	4		-



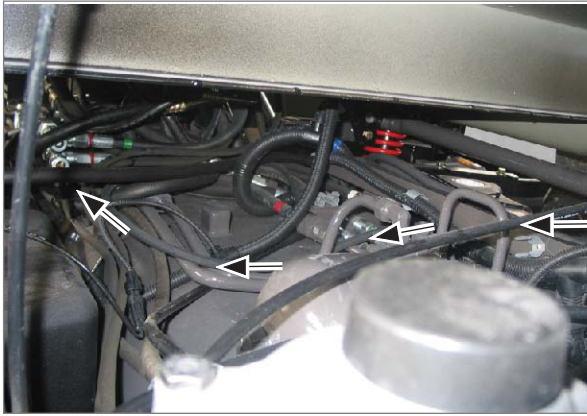
143824-001

19	1		-
----	---	--	---

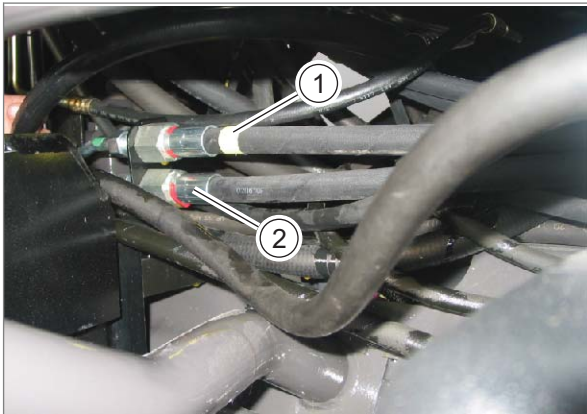


156102-001

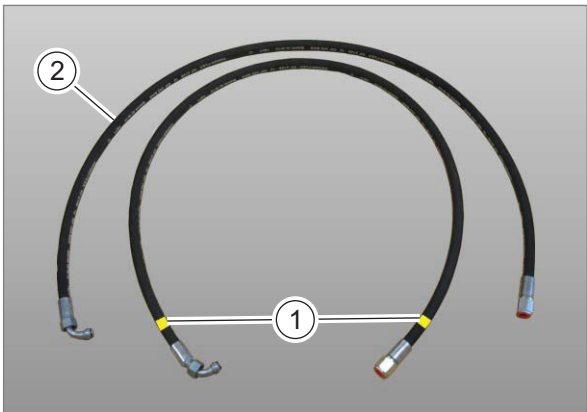
20	1		-
	2		-
	3		-



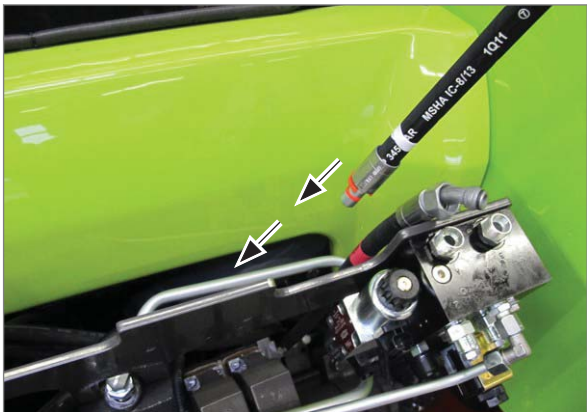
136756-001



136775-001



156500-001



156119-001

51

1, 2	 	00 1402 412 0

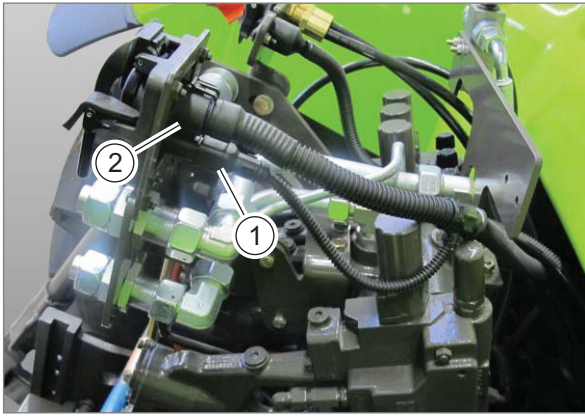
52

1		00 1402 412 0
2		00 1402 412 0

53

1		-
1, 2	 	00 1400 049 0

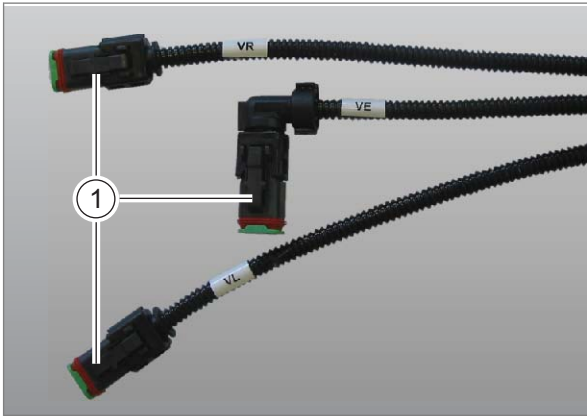
54



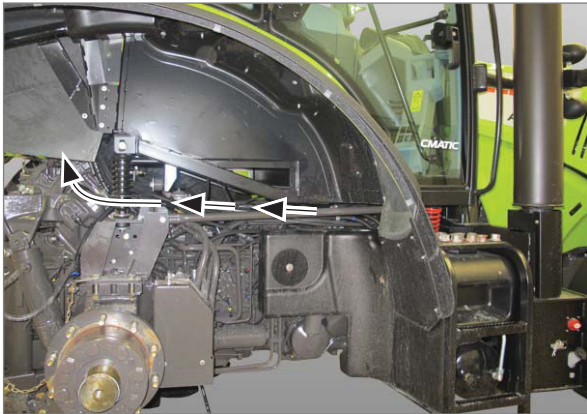
156584-001

1		-
2		-

83



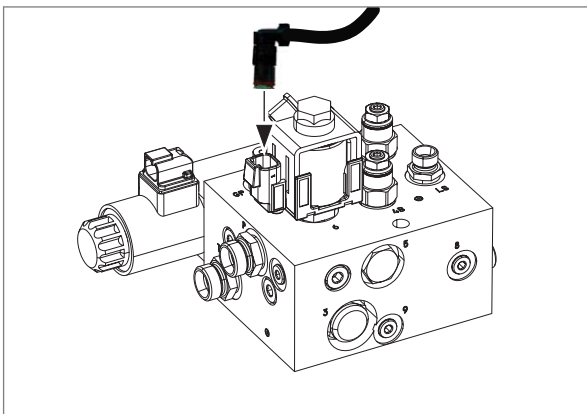
139423-001



139445-002



156076-001



144572-002

109

1		00 1401 006 X VR, VE, VL

110

111

1		00 1401 006 X VR, VE, VL




112

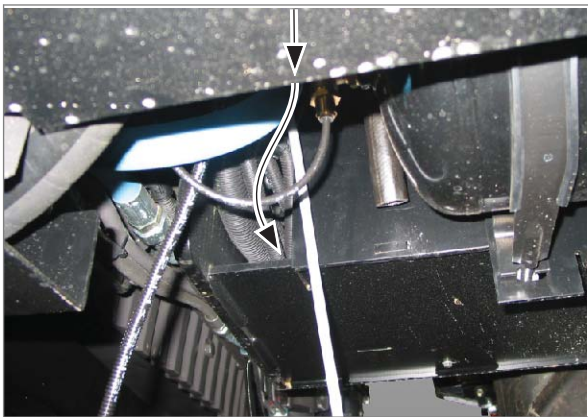
1		00 1401 006 X VE
---	--	---------------------



139463-002

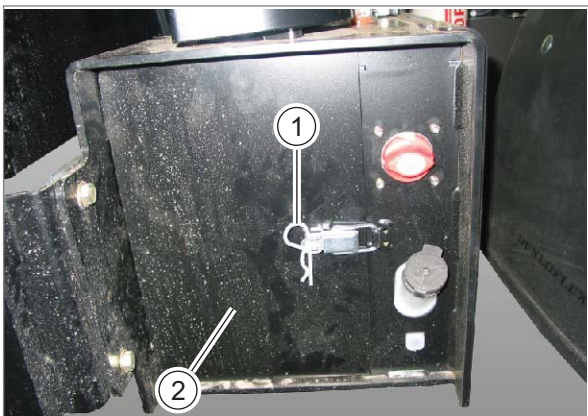
141

1		00 1405 004 X BA-, BA+
		
		





136553-001

142



136458-001


143

1		—
2		—



136452-001

144

1		—
---	---	---

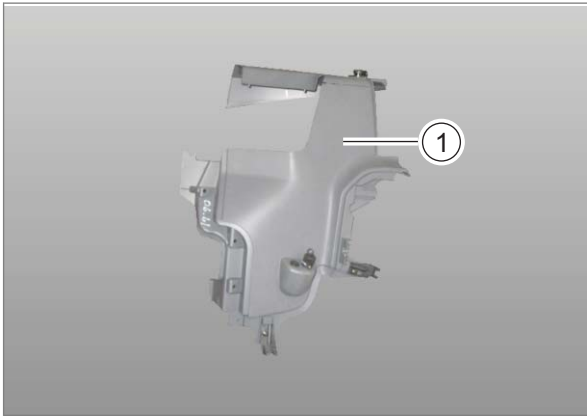
CLICK HERE TO **DOWNLOAD** THE COMPLETE MANUAL

- Thank you very much for reading the preview of the manual.
- You can download the complete manual from: www.heydownloads.com by clicking the link below



- Please note: If there is no response to CLICKING the link, please download this PDF first and then click on it.

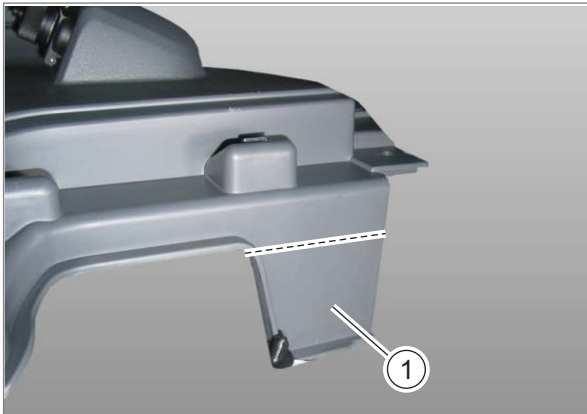
CLICK HERE TO **DOWNLOAD** THE COMPLETE MANUAL



140578-001

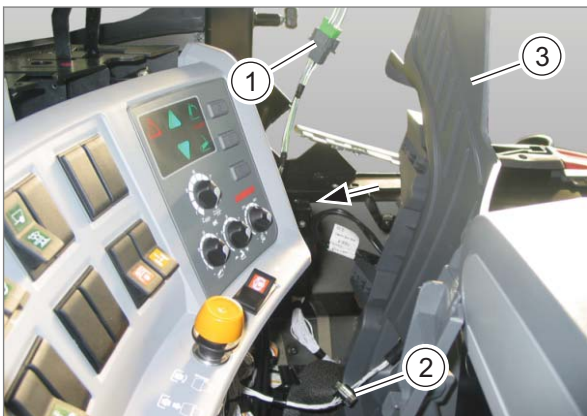
173

1		-
---	--	---



140551-001

174



140599-002

175

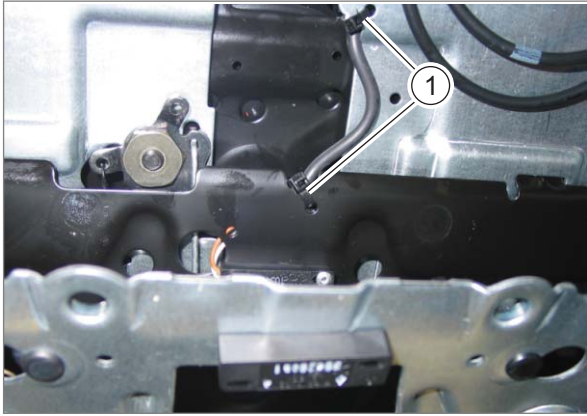
1		-
2		-
3		-




140598-001

176

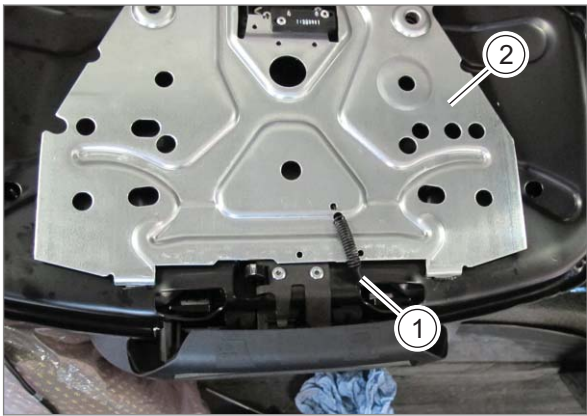
1		-
---	--	---



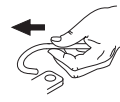

136588-001

1		-
---	---	---

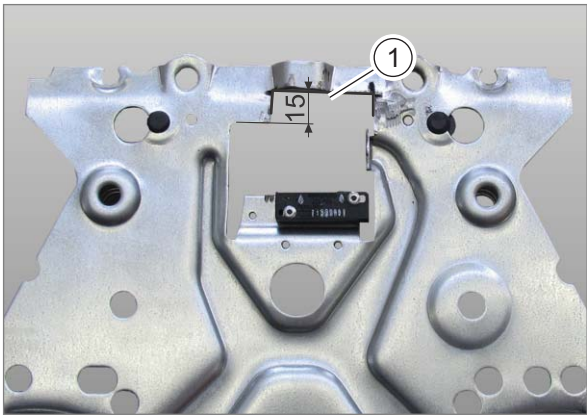
198




155442-001

1		-
2		-

199



155440-001

1		-
---	---	---

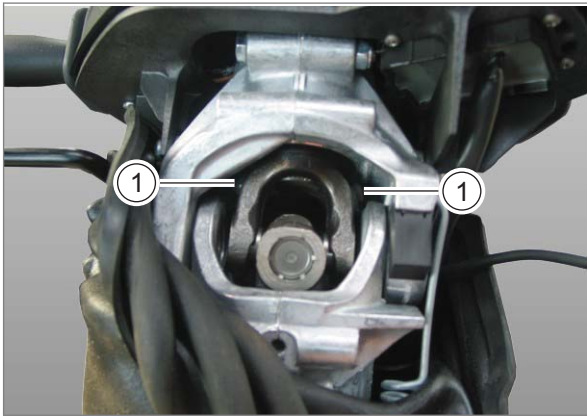
200



136471-001

1		-
---	--	---

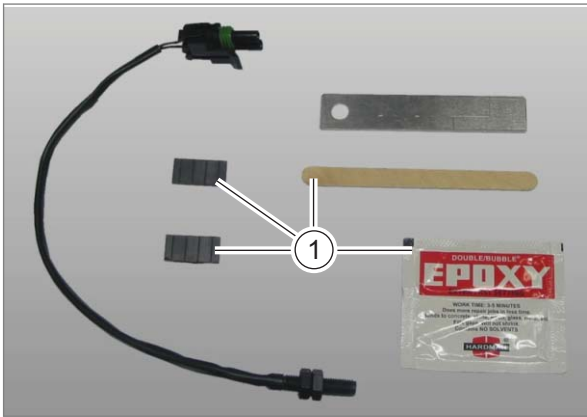
228



143757-001

1		-
---	--	---

229



139546-001

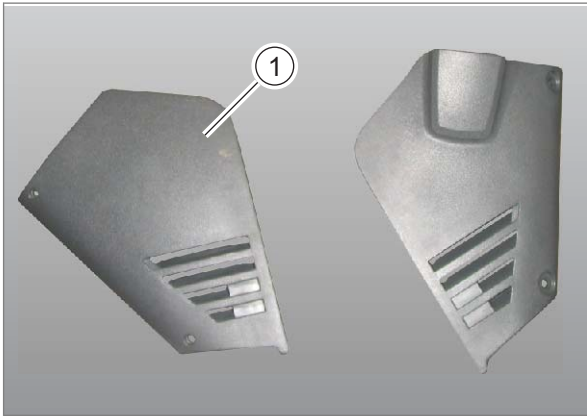
230



136481-001

231

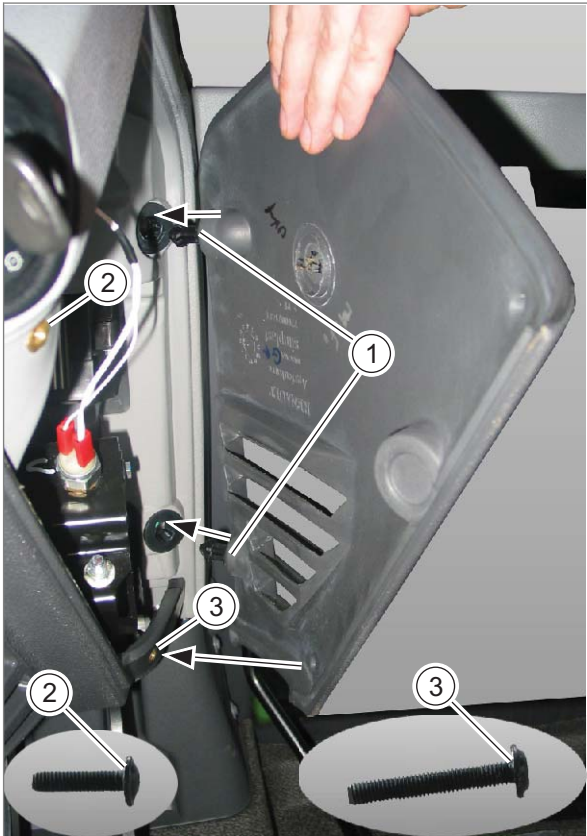
1		-
---	--	---



136499-001

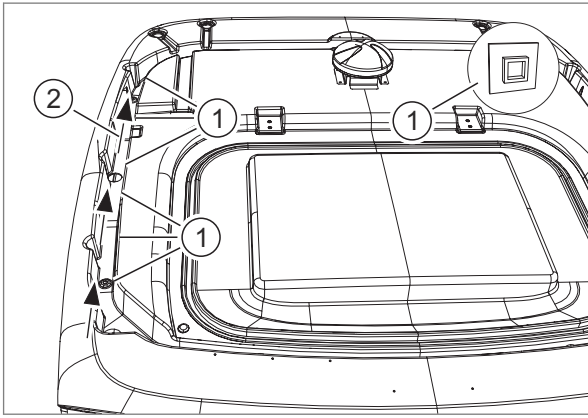
260

1		-
2		-
3		-



136508-001

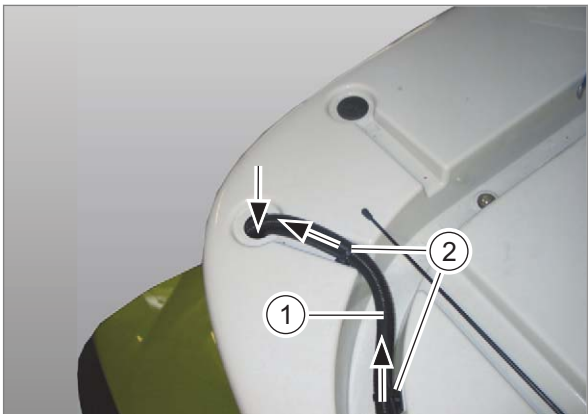
261



239438-001

285

1		—
2	 	00 1405 015 X

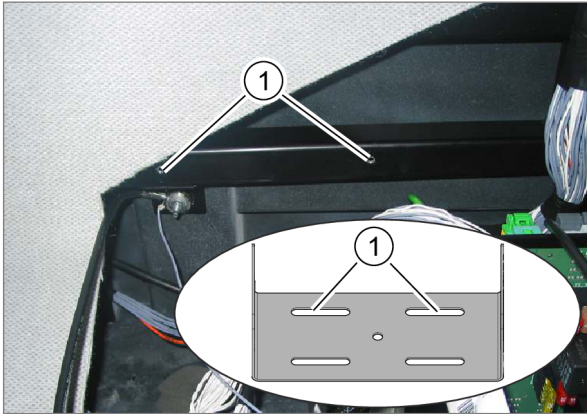


136466-002



286

1	 	00 1405 015 X
2		—

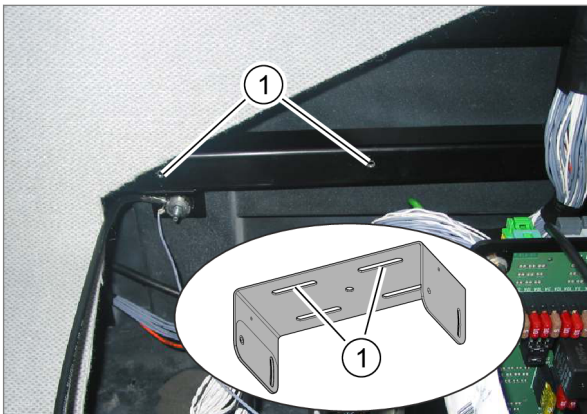
RTK FARM BASE





312963-001

1		—
		Ø 3mm

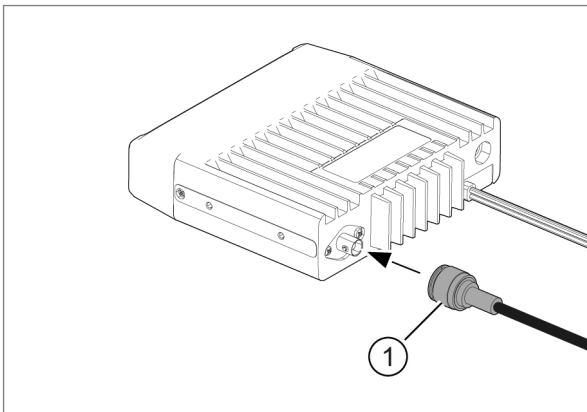
311




312964-001

1		 (2x)
---	---	--

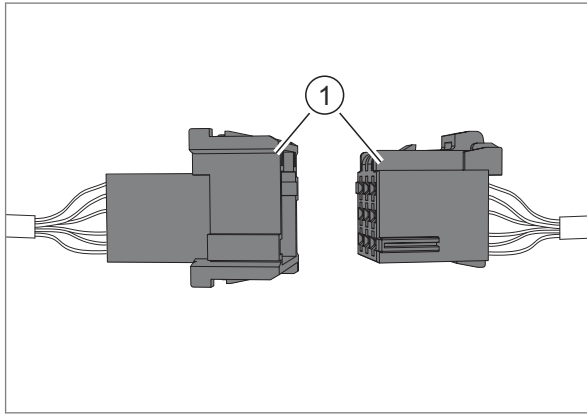
312



311496-001

1		00 1400 148 X
---	---	---------------

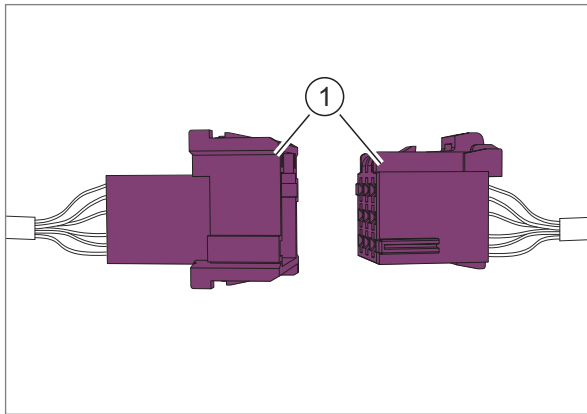
313



186719-002

339

1		<p>00 1405 001 X XHVS</p> <p>S10 00 1405 002 X XHVT</p> <p>S7 00 1405 003 X XHVT</p>
---	--	--



186403-002

340

1		<p>S10 00 1405 002 X XKDT</p> <p>S7 00 1405 003 X XKDT</p> <p>RTK NET 00 1405 009 X XKDS</p> <p>RTK (Motorola) 00 1405 010 X XKDS</p> <p>RTK FARM BASE 00 1405 008 X XKDS</p> <p>RTK FIELD BASE / BASELINE HD 00 1405 013 X XKDS</p>
---	--	--

CLICK HERE TO **DOWNLOAD** THE COMPLETE MANUAL

- Thank you very much for reading the preview of the manual.
- You can download the complete manual from: www.heydownloads.com by clicking the link below



- Please note: If there is no response to CLICKING the link, please download this PDF first and then click on it.

CLICK HERE TO **DOWNLOAD** THE COMPLETE MANUAL