

ARION 500
ARION 600

CLAAS

Anbauanleitung

GPS PILOT

Fitting Instructions

GPS PILOT

Notice de montage

GPS PILOT

Instrucciones de montaje

GPS PILOT

Istruzioni di montaggio

GPS PILOT

Руководство по установке

GPS PILOT



CLICK HERE TO **DOWNLOAD** THE COMPLETE MANUAL

- Thank you very much for reading the preview of the manual.
- You can download the complete manual from: www.heydownloads.com by clicking the link below



- Please note: If there is no response to CLICKING the link, please download this PDF first and then click on it.

CLICK HERE TO **DOWNLOAD** THE COMPLETE MANUAL



GPS PILOT

167434-002

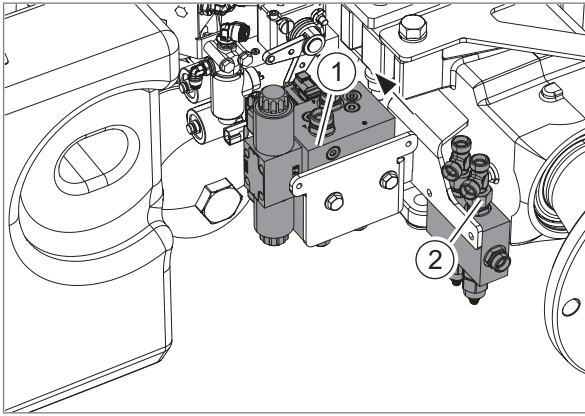
2



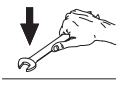



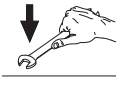



EGNOS, BASELINE HD

167226-002

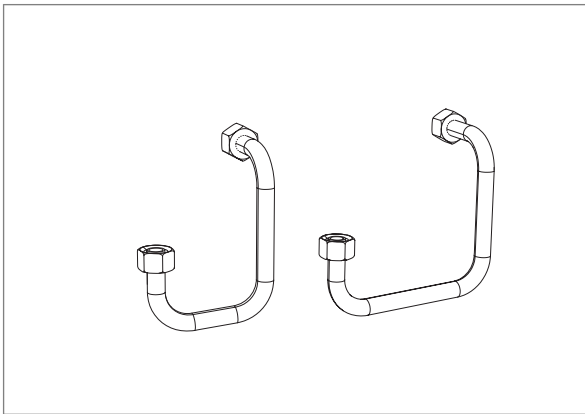
3



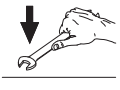
167963-001

1		<ul style="list-style-type: none">  M10x100 (2x)  A10 (4x)  M10 - ISO 4032 (2x)
2		<ul style="list-style-type: none">  M8x55 (2x)  A8 (4x)  M8 - ISO 4032 (2x)

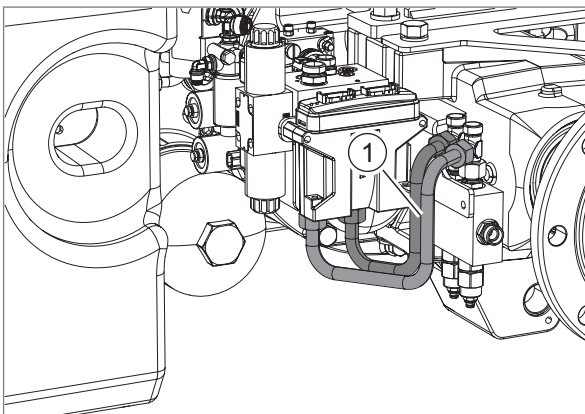
22



167989-001

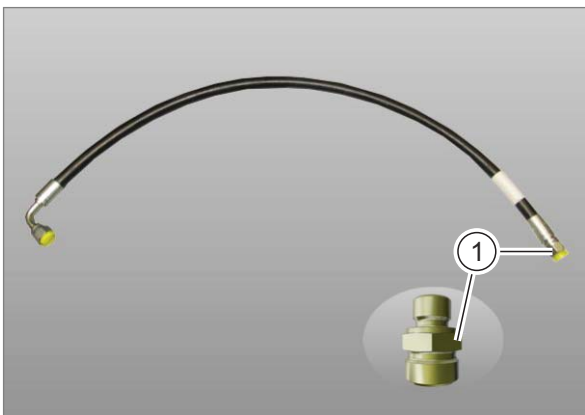
1		-
---	---	---

23

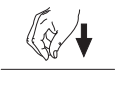


167962-001

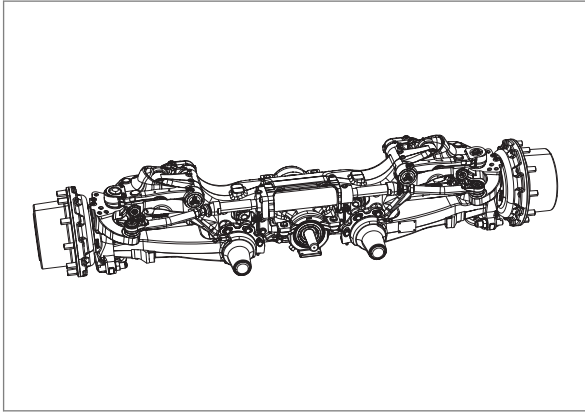
24



168001-001

1		00 0689 544 0
---	---	---------------

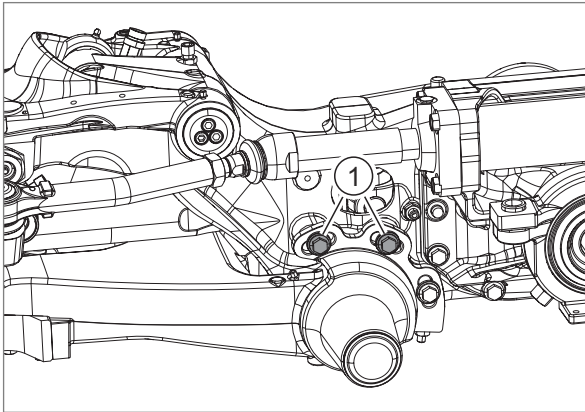
25



ARION 650

237013-001

51

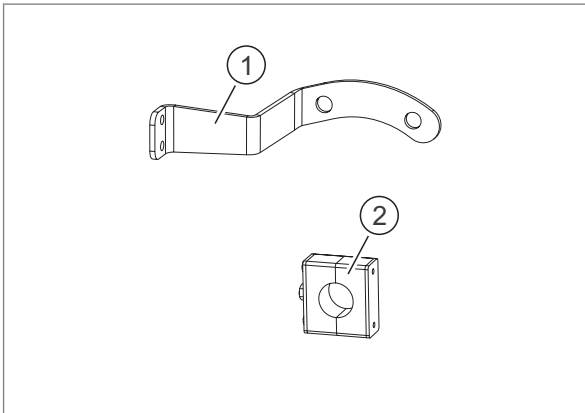


ARION 650

237017-001

52

1		-

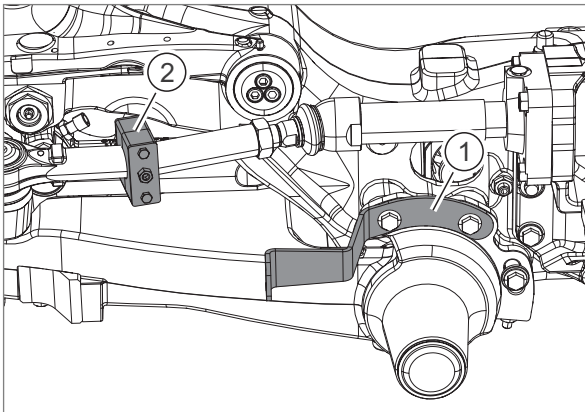


ARION 650

237015-001

53

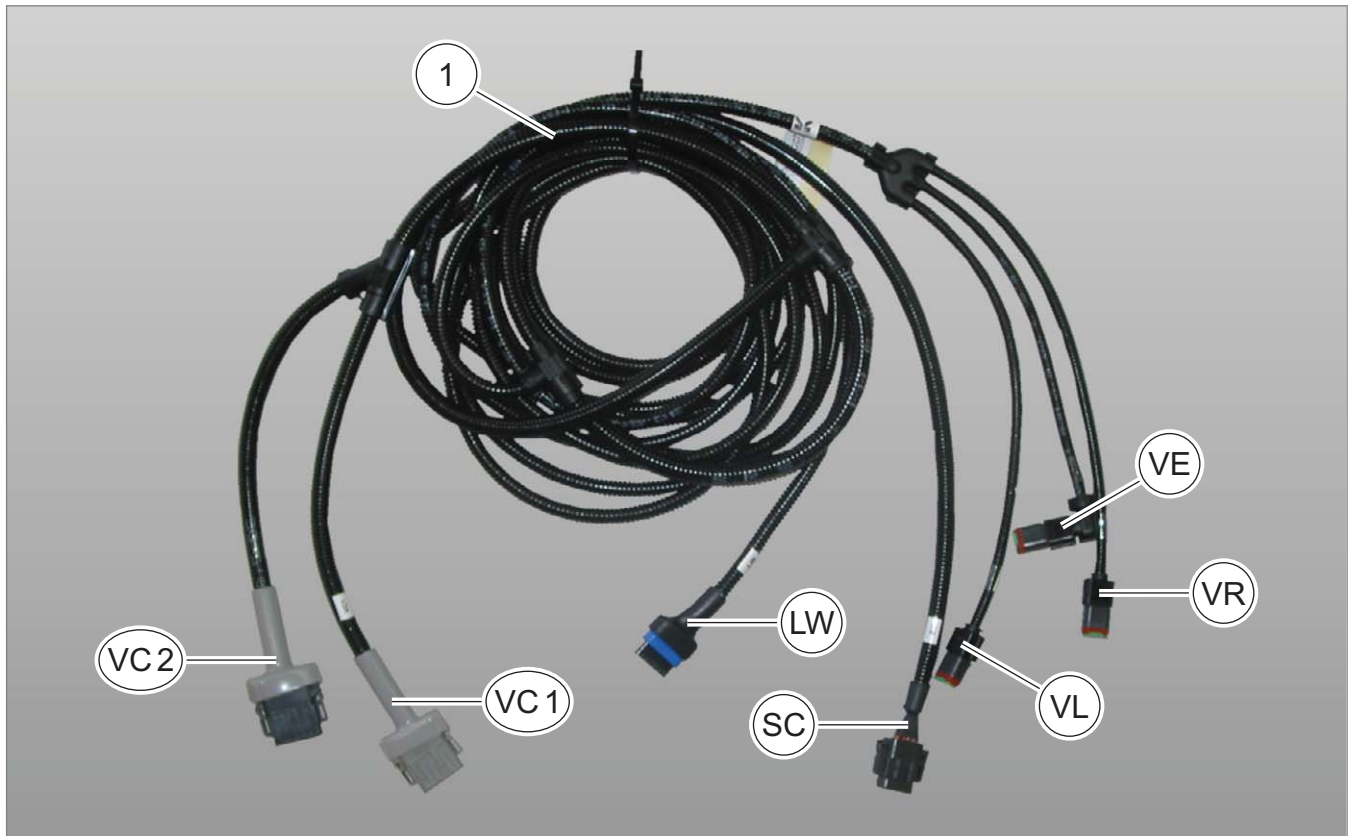
1		M12x40 12.9 (2x)
2		-



ARION 650

237016-001

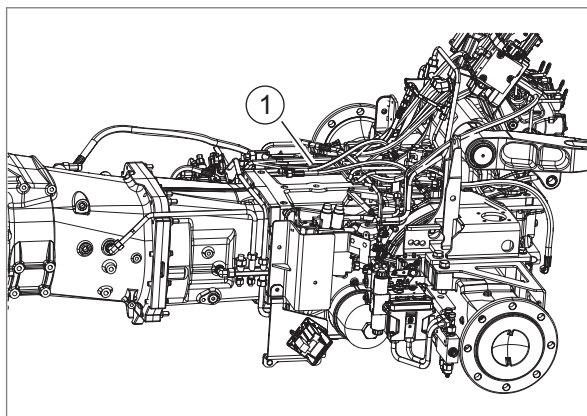
54



00 1401 006 0

140187-001

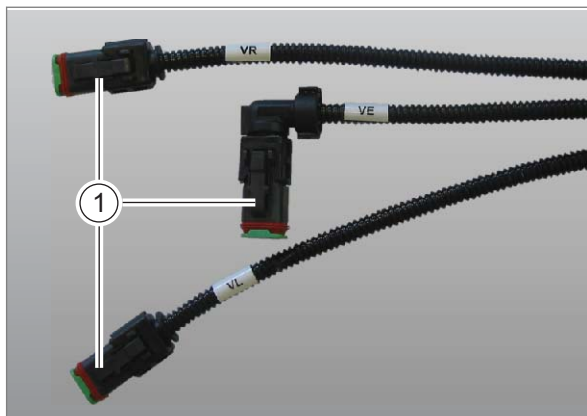
81



168016-001

1		00 1401 006 0
---	--	---------------

82



139423-001

1		00 1401 006 0 VR, VE, VL

83

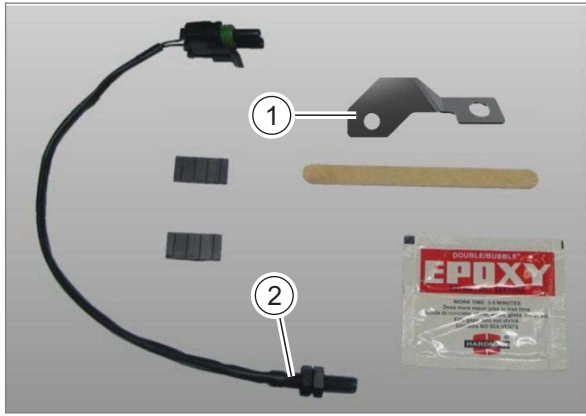
CLICK HERE TO **DOWNLOAD** THE COMPLETE MANUAL

- Thank you very much for reading the preview of the manual.
- You can download the complete manual from: www.heydownloads.com by clicking the link below



- Please note: If there is no response to CLICKING the link, please download this PDF first and then click on it.

CLICK HERE TO **DOWNLOAD** THE COMPLETE MANUAL



167436-001

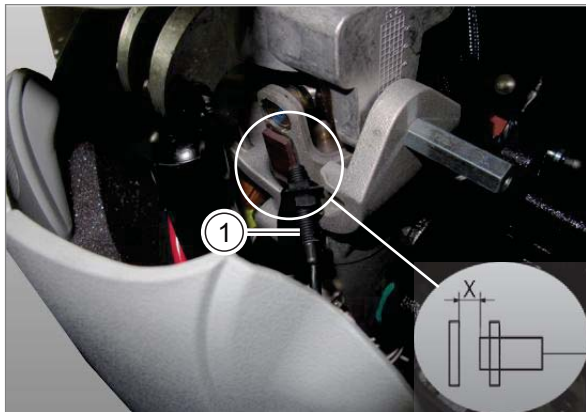
149

1		-
---	--	---



167438-001

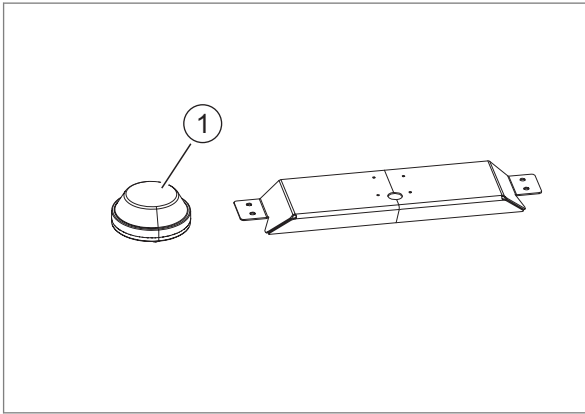
150



167367-002

151

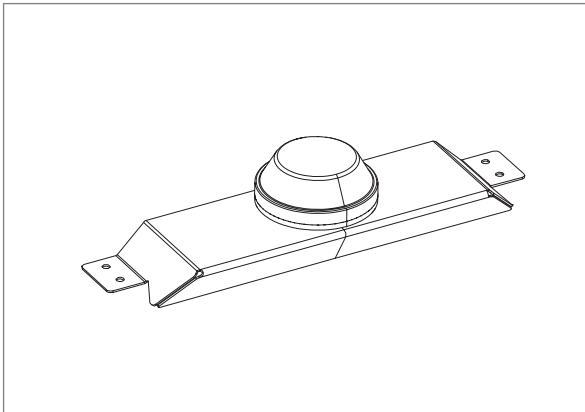
1		-
		X = 1 - 4mm
		-



167211-001

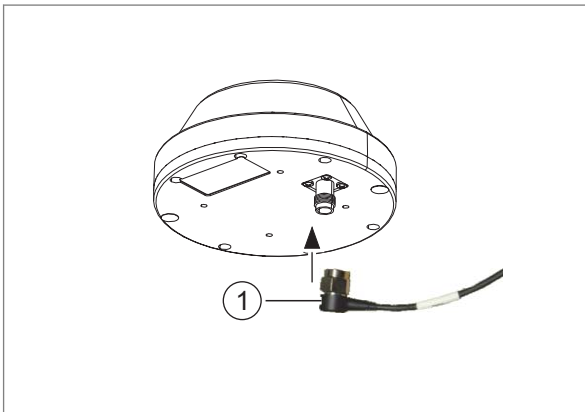
175

1		N8-32 x 1/2" (4x) A4 (4x)
---	--	------------------------------



167210-001

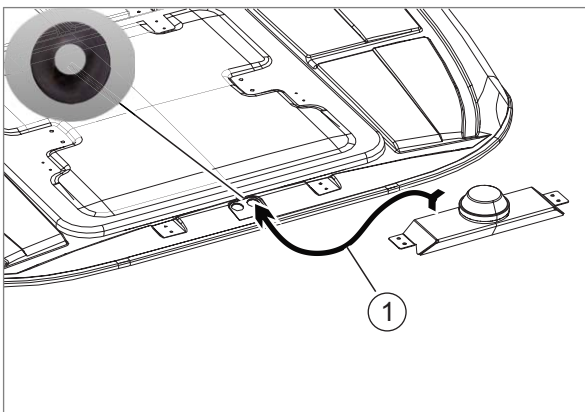
176



167495-002

177

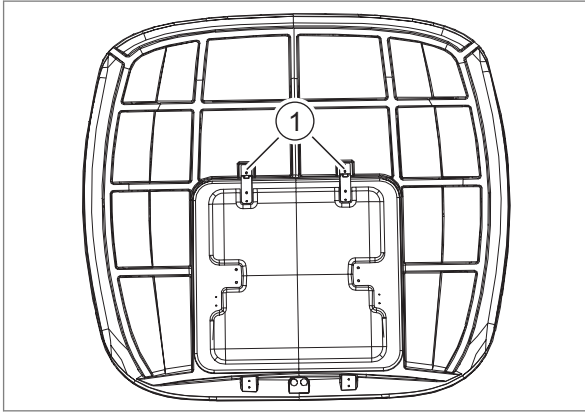
1		00 1400 150 0
---	--	---------------



167212-002

178

1	 	00 1400 150 0

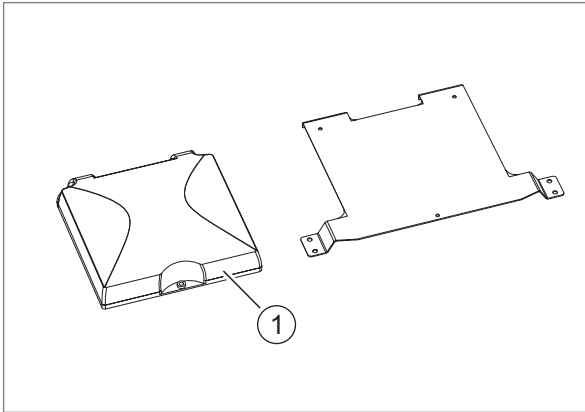


* OPTIONAL

167474-001

198

1		-
---	--	---

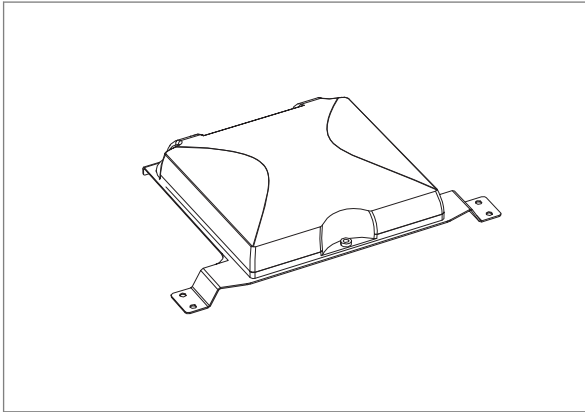


* OPTIONAL

167472-001

199

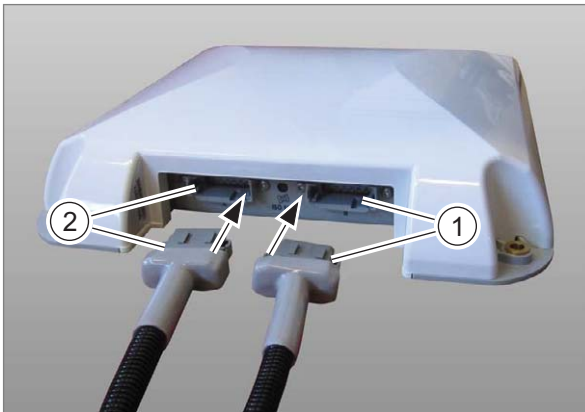
1		<ul style="list-style-type: none"> M6x25 (3x) A6 (3x) M6 - ISO 4032 (3x)
---	--	--



* OPTIONAL

167473-001

200

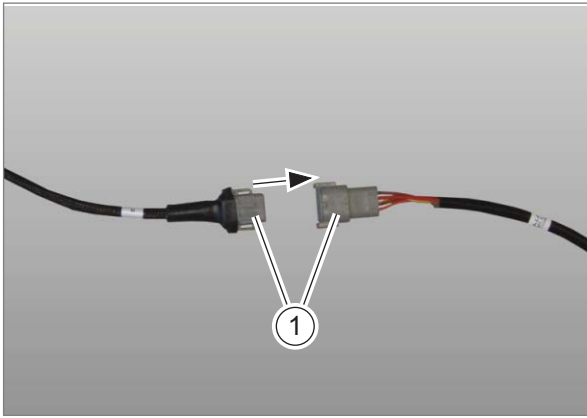


* OPTIONAL

136440-002

201

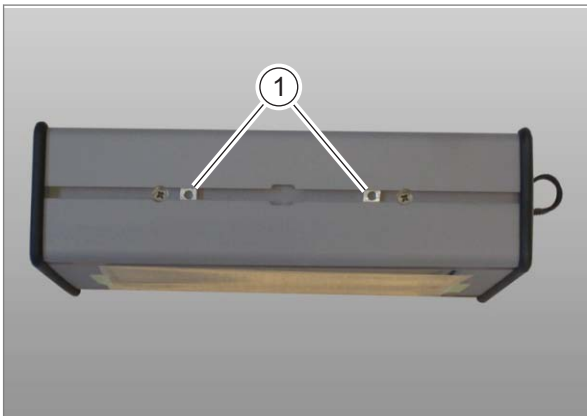
1		00 1401 007 1 XB
2		00 1401 007 1 XA



141018-001

1		00 1401 010 1 XM 00 1401 005 3 KD
---	--	--

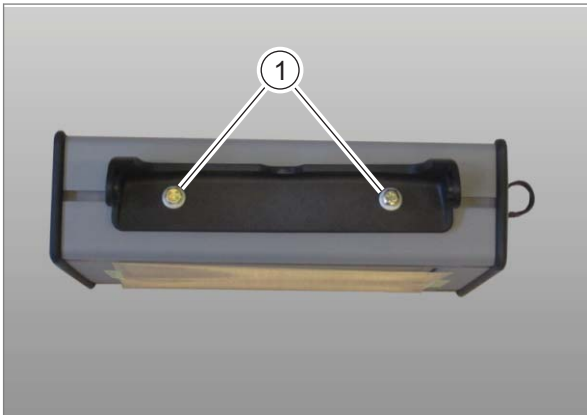
224



141031-001

1		M5 - DIN 562 (2x)
---	--	-------------------

225



141032-001

1		M5x8 (2x) A5 (2x)
---	--	----------------------

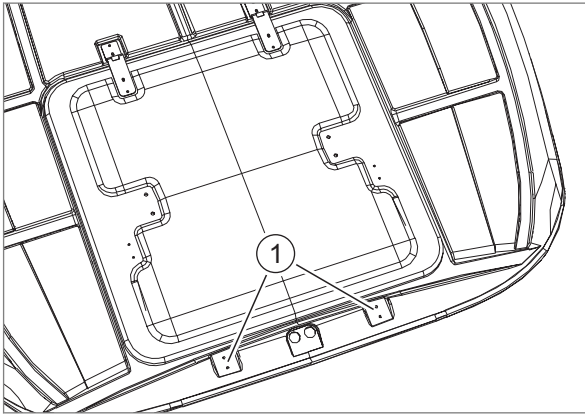
226



141033-001

1		-
---	--	---

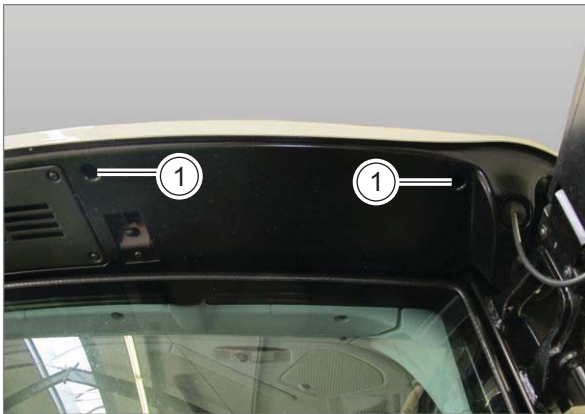
227



167413-001

1		-
---	--	---

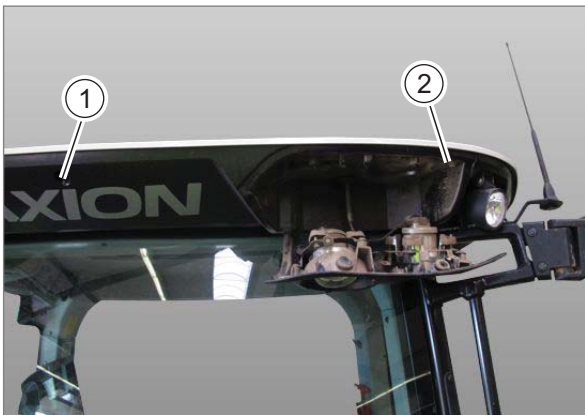
249



166971-001

1		-
---	--	---

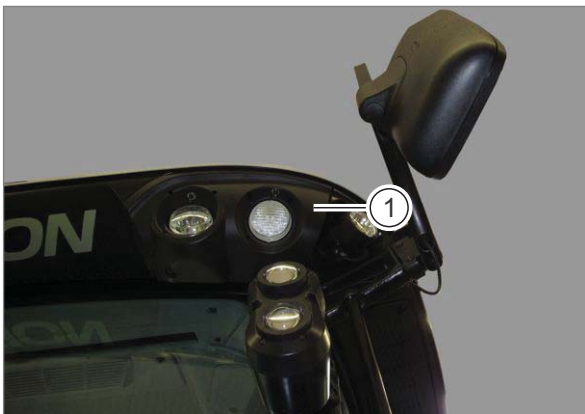
250



167074-001

1		-
2		-

251



166970-001

1		-

252

CLICK HERE TO **DOWNLOAD** THE COMPLETE MANUAL

- Thank you very much for reading the preview of the manual.
- You can download the complete manual from: www.heydownloads.com by clicking the link below



- Please note: If there is no response to CLICKING the link, please download this PDF first and then click on it.

CLICK HERE TO **DOWNLOAD** THE COMPLETE MANUAL