

LEXION 770 - 620

**CLAAS**

# Anbauanleitung

GPS PILOT



Service & Parts

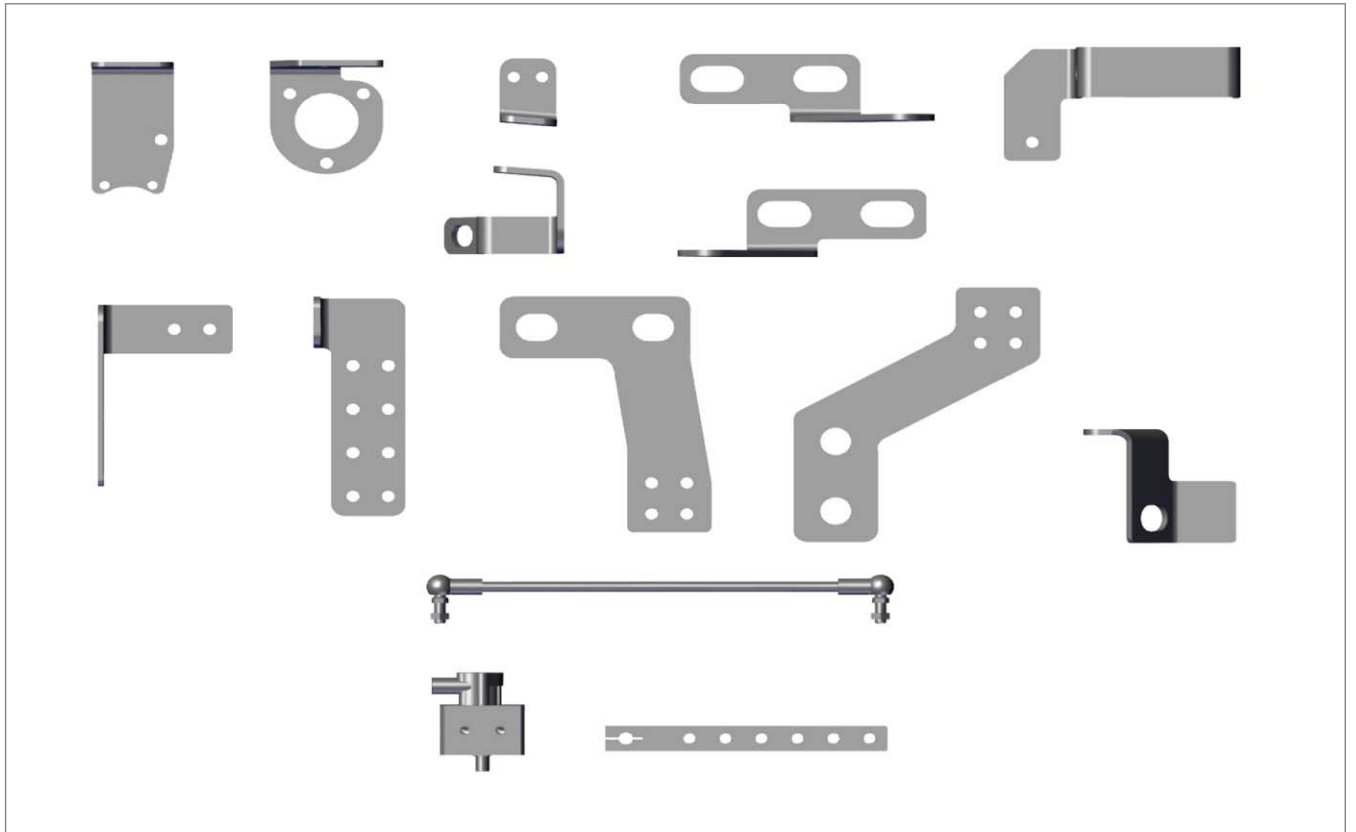
CLICK HERE TO **DOWNLOAD** THE COMPLETE MANUAL

- Thank you very much for reading the preview of the manual.
- You can download the complete manual from: [www.heydownloads.com](http://www.heydownloads.com) by clicking the link below



- Please note: If there is no response to CLICKING the link, please download this PDF first and then click on it.

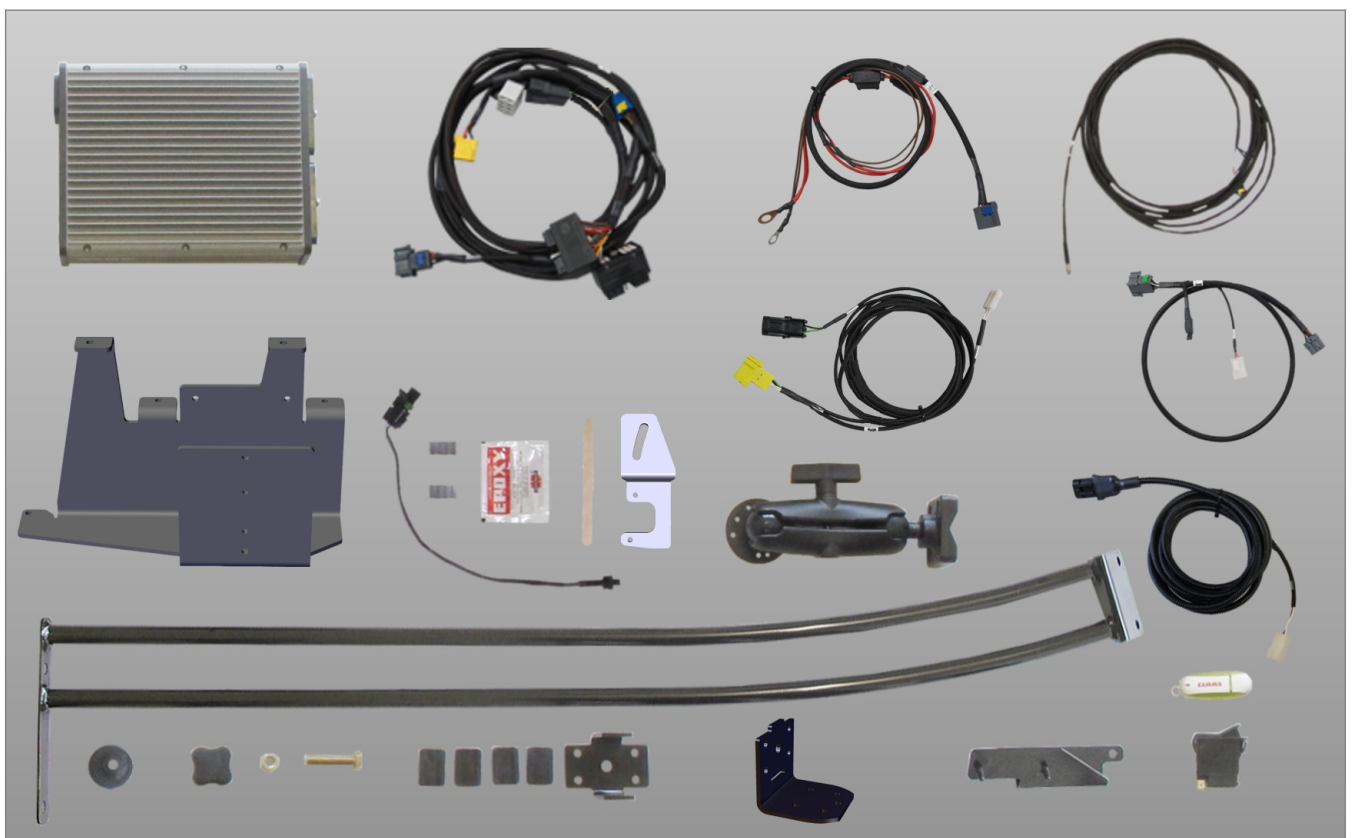
CLICK HERE TO **DOWNLOAD** THE COMPLETE MANUAL



GPS PILOT

174975-001

**2**



GPS PILOT

254375-001

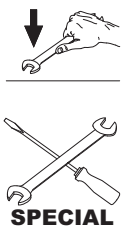


**3**

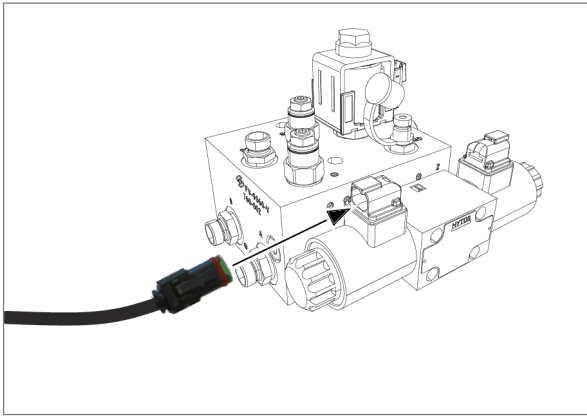


25113-003



154385-001

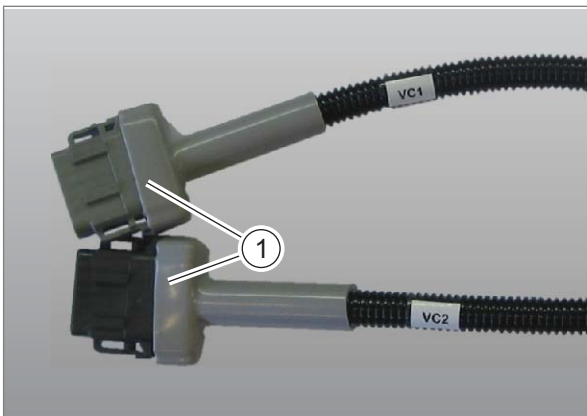
<p>1</p>		<p>00 0181 619 X</p>
<p>18</p>		<p>2</p>  <p>Druckluft P = 6 - 8 bar          Unterdruck erzeugen.          Air P = 6 - 8 bar          Generate depression.          D'air P = 6 - 8 bar          Générer dépressurisation.          Presión de aire P = 6 - 8 bar          Crear subpresión.          Aria compressa P = 6 - 8 bar          Creare una depressione.          Ἡἀὸὐέ ἀἱçáὸð P = 6 - 8 bar          Ἡἱçáàὸὐ ὀαçðáæáἱéá.</p>
<p>19</p>		



144575-003

1		VR
---	--	----

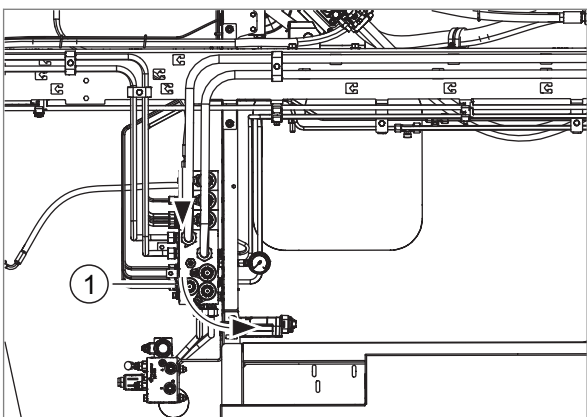
49



139422-001

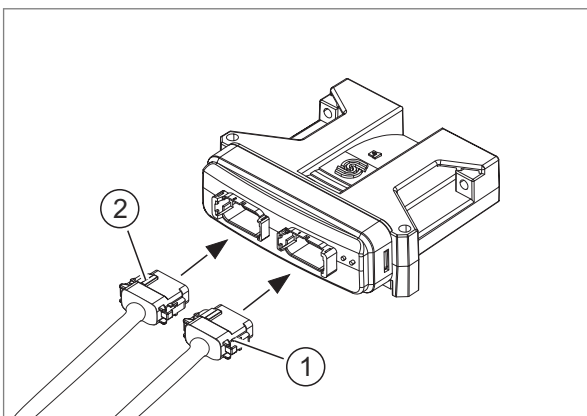
1		00 1400 450 0 VC1, VC2

50



171755-001

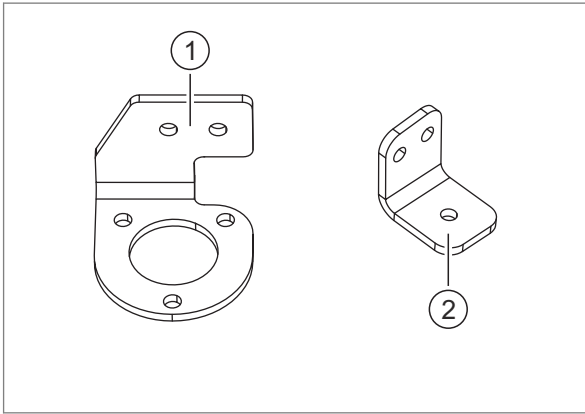
51



144571-002

1		VC1
2		VC2

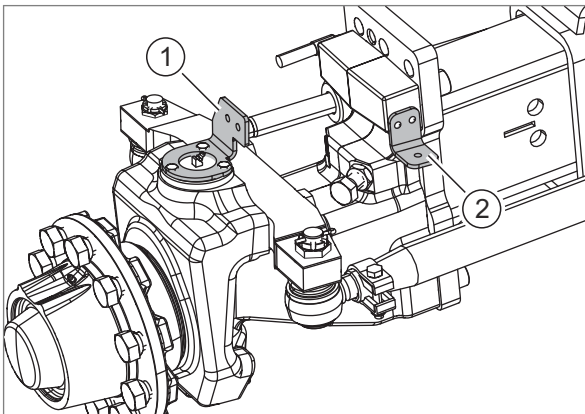
52



171775-001

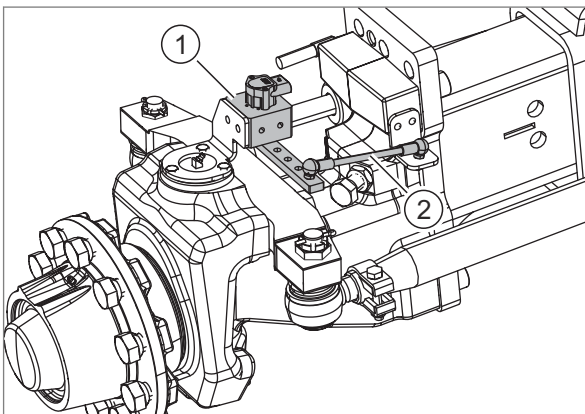
1		M8x25 (3x) A8 (3x)
2		M8x20 (2x) A8 (2x)

**80**



171771-001

**81**

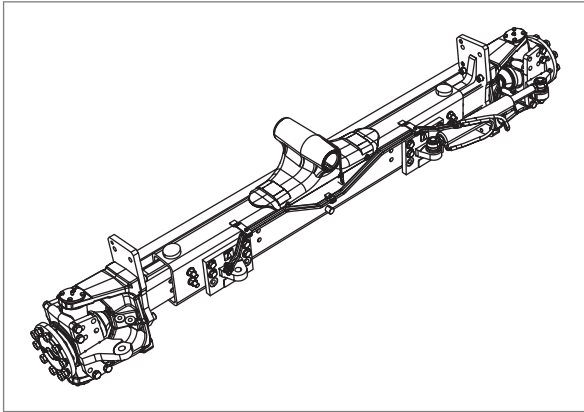


171770-001

1		M8x20 (2x) A8 (2x)
2		M8 - ISO 4032 (2x)

**82**

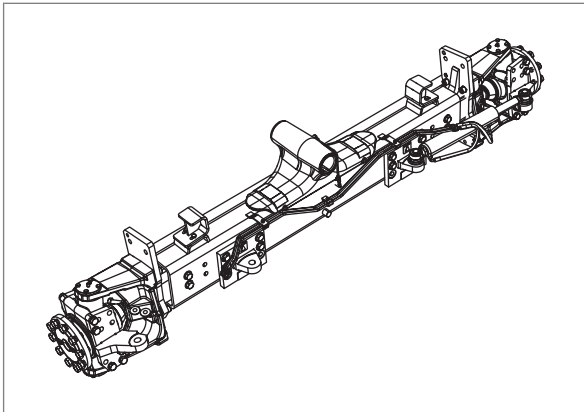
**00 0768 740 5, 00 0768 980 3**



00 0768 740 5

174208-001

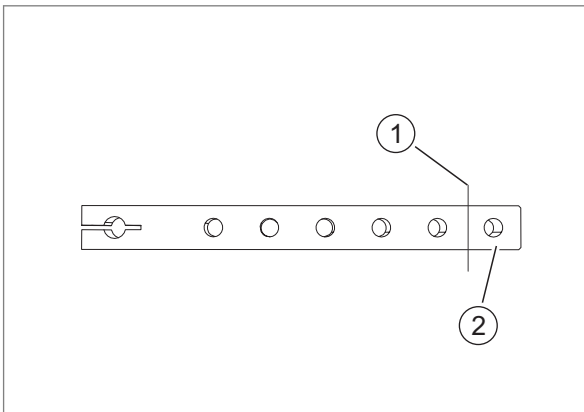
**112**



00 0768 980 3



174215-001

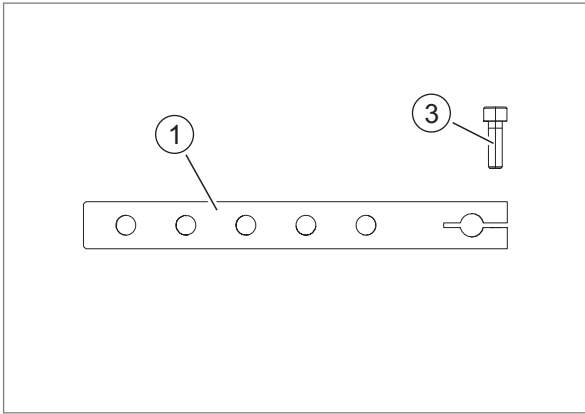
**113**



167451-001

**114**

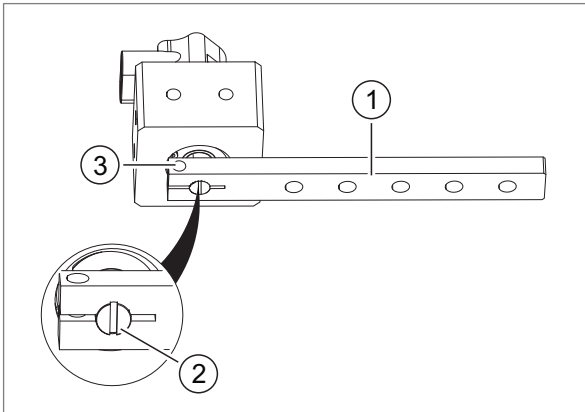
1		-
2		-



167424-002

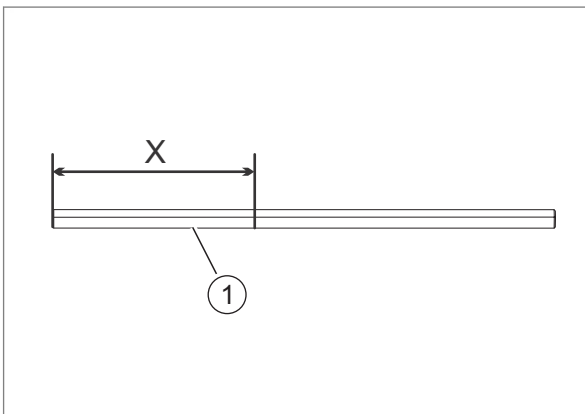
144

1		-
2		-
3		M6x20 (1x)



174922-002

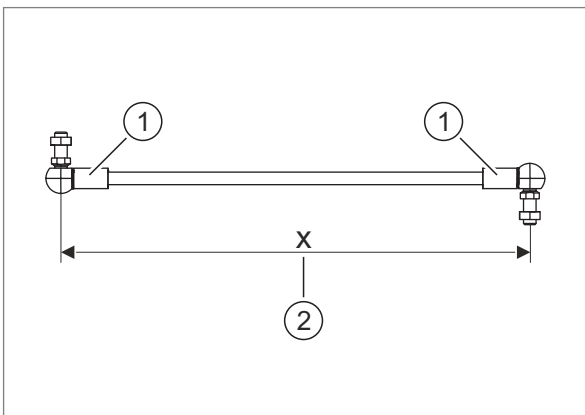
145



167425-001

146

1		X = 290 mm
---	--	------------



174181-001

147

1		M8 - ISO 4032 (2x)
2		X = 310 mm

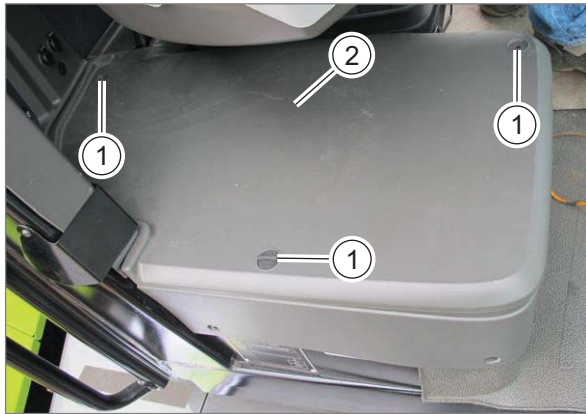
CLICK HERE TO **DOWNLOAD** THE COMPLETE MANUAL

- Thank you very much for reading the preview of the manual.
- You can download the complete manual from: [www.heydownloads.com](http://www.heydownloads.com) by clicking the link below



- Please note: If there is no response to CLICKING the link, please download this PDF first and then click on it.

CLICK HERE TO **DOWNLOAD** THE COMPLETE MANUAL



153219-001

GPS PILOT

1		-
2		-

178



39492-002

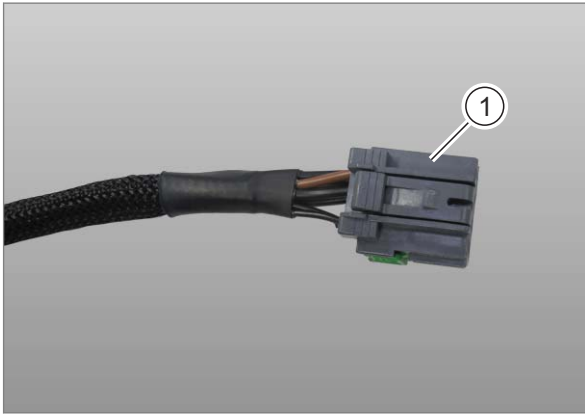
1		-
---	--	---

179



39493-002

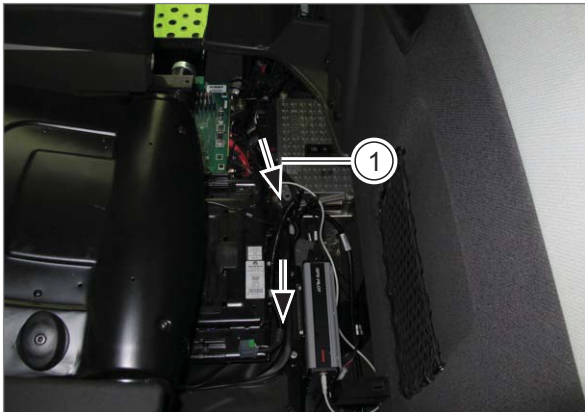
180



174746-001

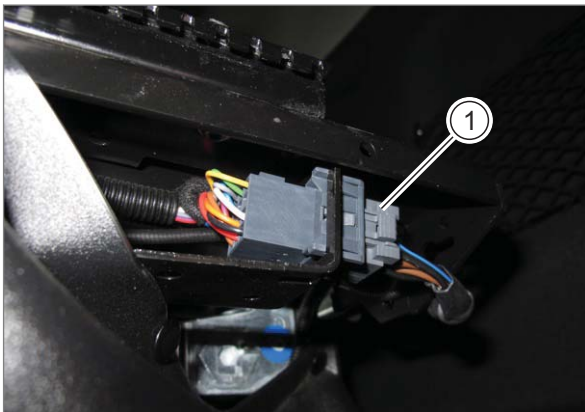
1		00 1400 836 0 SK
---	--	---------------------

212



174509-001

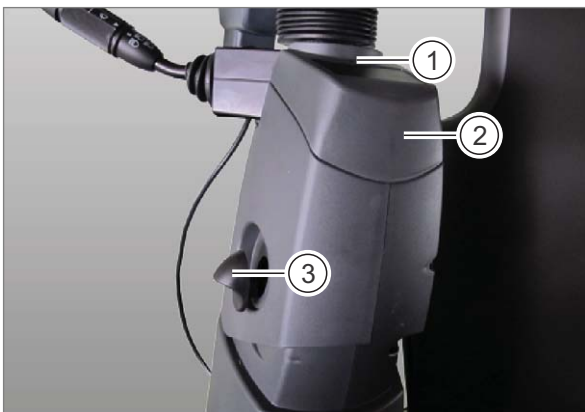
213



174504-001

1		00 1400 836 0 SK
---	--	---------------------

214

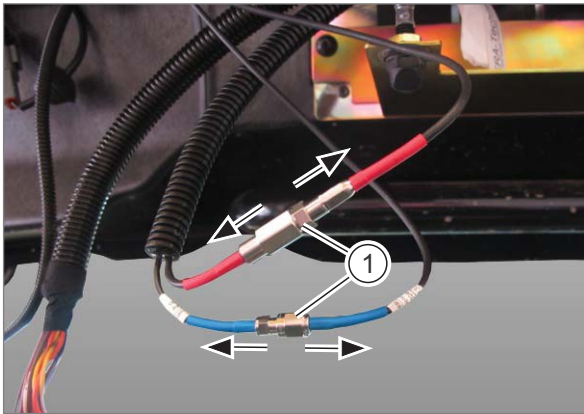


164553-001

215

1		-
2		-
3		-

TELEMATICS / RTK NET



\* TELEMATICS

163453-001

247

1		—
		—



\* TELEMATICS

161841-001

248

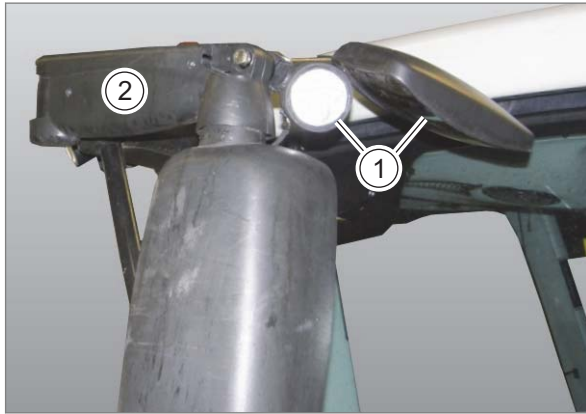
1		—
2		—



\* TELEMATICS

161716-001

249



146214-001

1		-
2		-

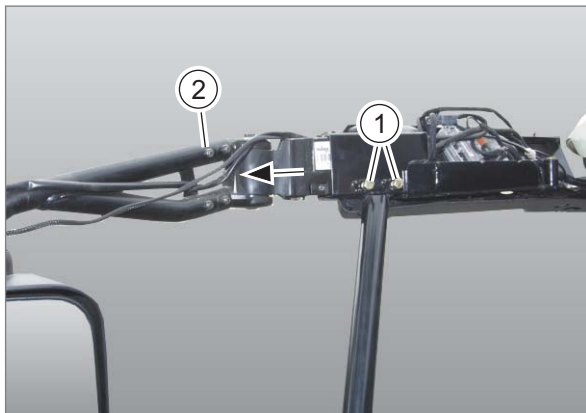
276



137268-001

1		-
---	--	---

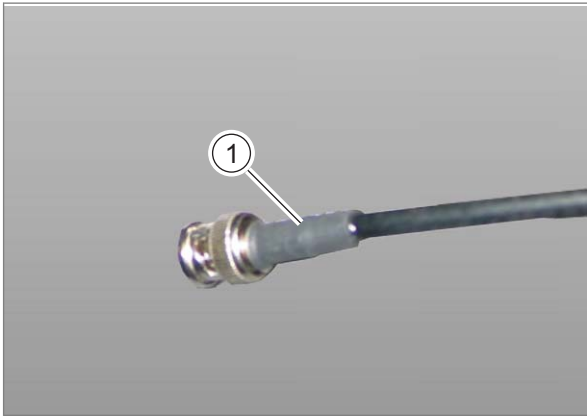
277



146223-001

1		lösen loosen dévisser desatornillar svitare ослаблять
2		-

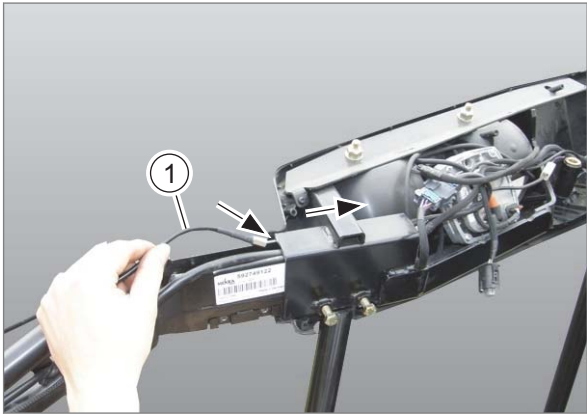
278



146093-001

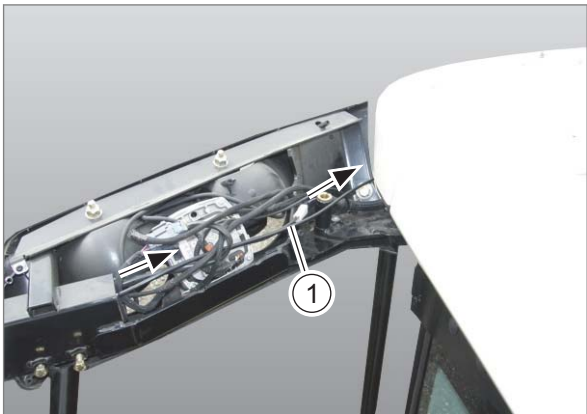
1		00 1400 148 X
---	--	---------------

307



146229-001

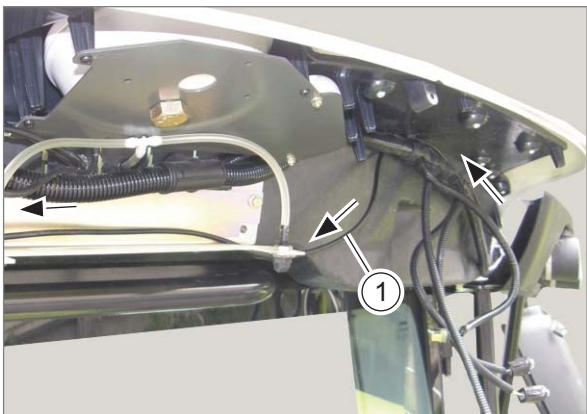
308



146230-001

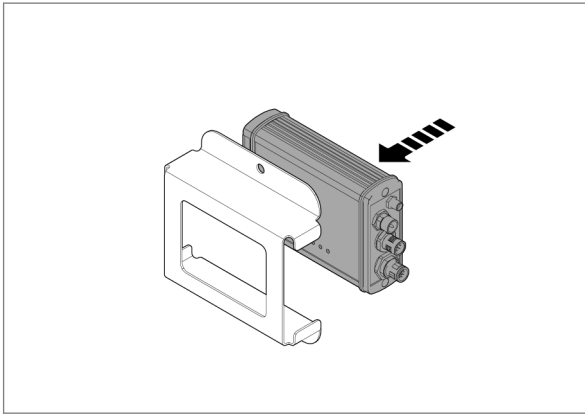
309

1		00 1400 148 X
---	--	---------------



146232-001

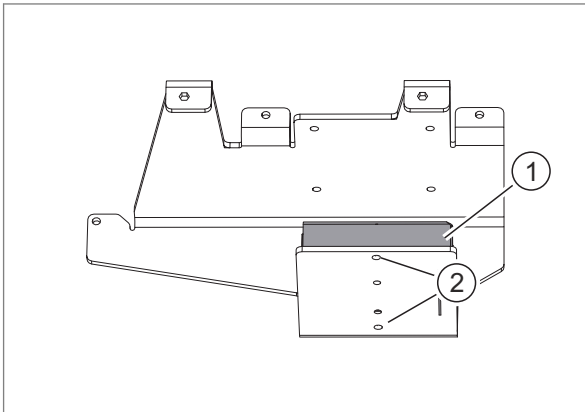
310



156298-002

337

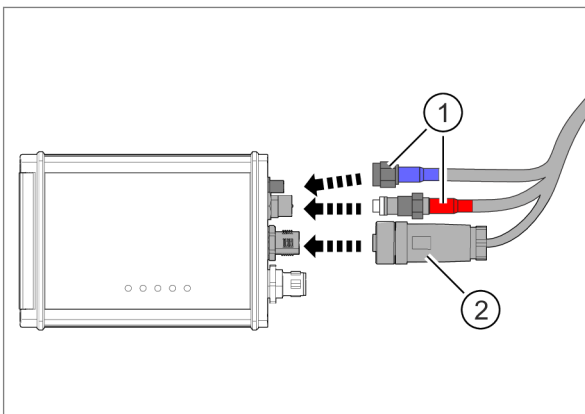
1		—
2		<ul style="list-style-type: none"> <li> M6x16 (2x)</li> <li> A6 (2x)</li> <li> M6 - ISO 4032 (2x)</li> </ul>



163487-002

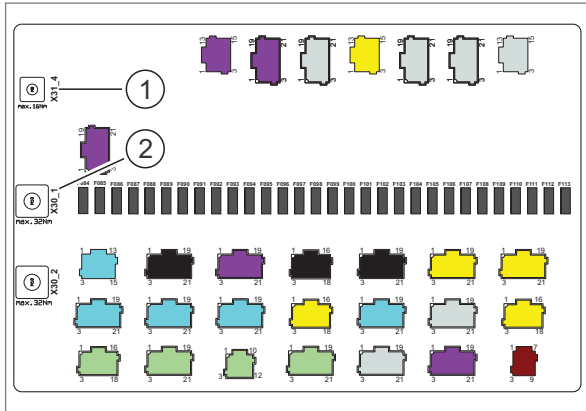
338

1		00 1401 719 X AH, AI
2		00 1405 009 X

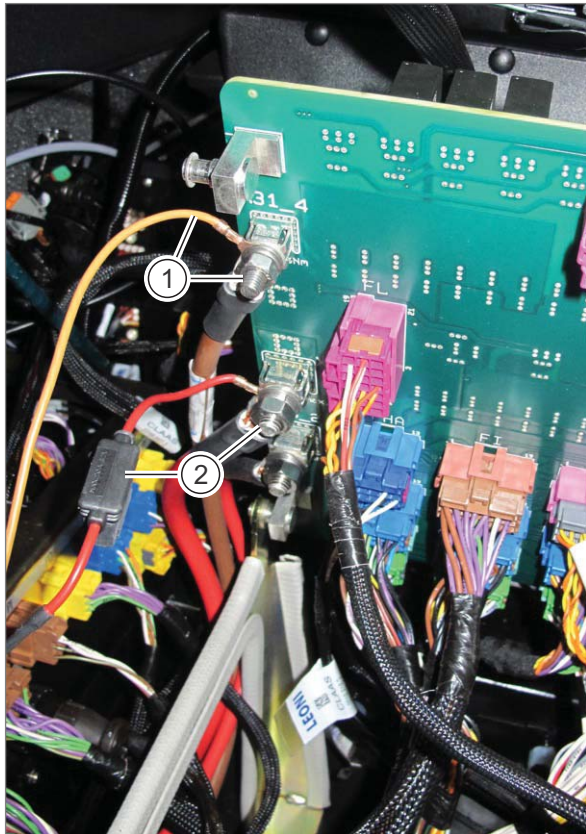


165065-002

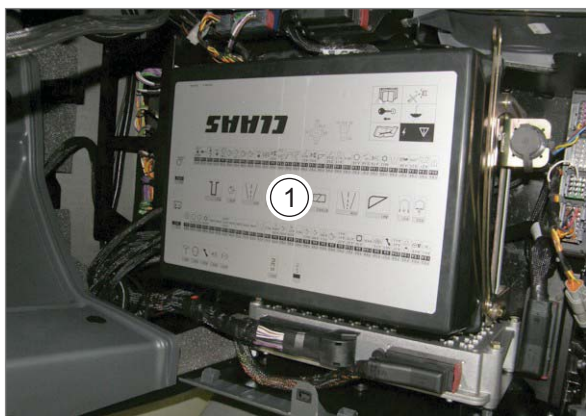
339



163144-001



163141-001



39495-002

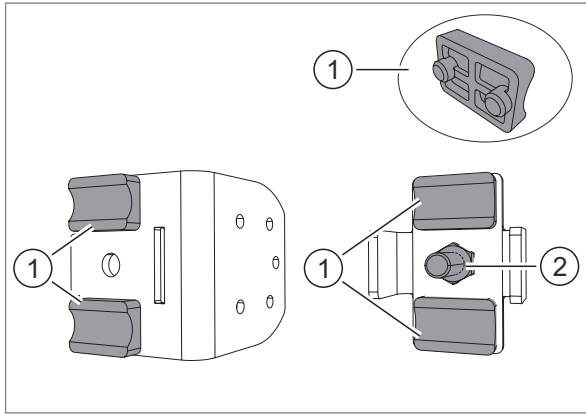
371

1		00 1405 005 X BA-
2		00 1405 005 X BA+

372

1		-
---	--	---

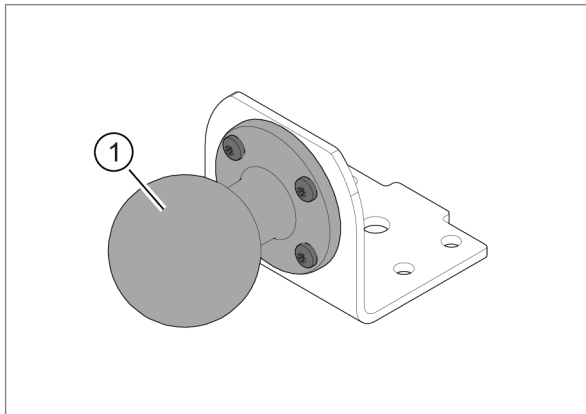
373



249137-001

1		—
2		<ul style="list-style-type: none"> <li> M10x45 (1x)</li> <li> M10 - ISO 4032 (1x)</li> </ul>

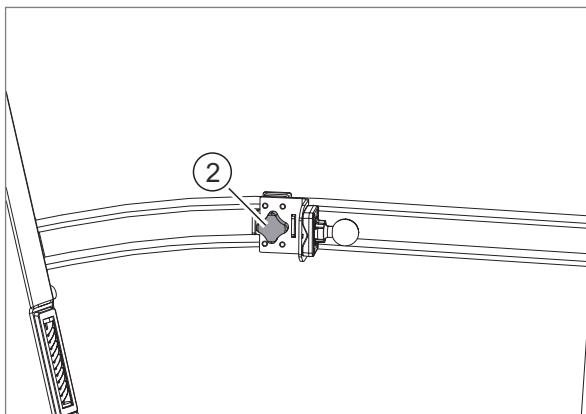
405



249138-002

1		<ul style="list-style-type: none"> <li> M5x16 (4x)</li> <li> A5 (4x)</li> <li> M5 (4x)</li> </ul>
2		—

406



249139-001

407

CLICK HERE TO **DOWNLOAD** THE COMPLETE MANUAL

- Thank you very much for reading the preview of the manual.
- You can download the complete manual from: [www.heydownloads.com](http://www.heydownloads.com) by clicking the link below



- Please note: If there is no response to CLICKING the link, please download this PDF first and then click on it.

CLICK HERE TO **DOWNLOAD** THE COMPLETE MANUAL