

# Deutz Engines F3M 1011F BF3M 1011F

(All Engine SN ranges)

## F4M 1011F

(Engine SN 0275761 and Up), (Engine SN

0275760 and Before, see Form No. 907764)

## BF4M 1011F

(Engine SN 0262361 and Up), (Engine SN

0262360 and Before, see Form No. 907763)

Used In:

**SL4635, SL4835,  
SL5635, SL6635  
Skid-Steer Loaders**



# GEHL®

Form No.  
917115

Rev. C  
01/11

**Engine Service Parts Manual**

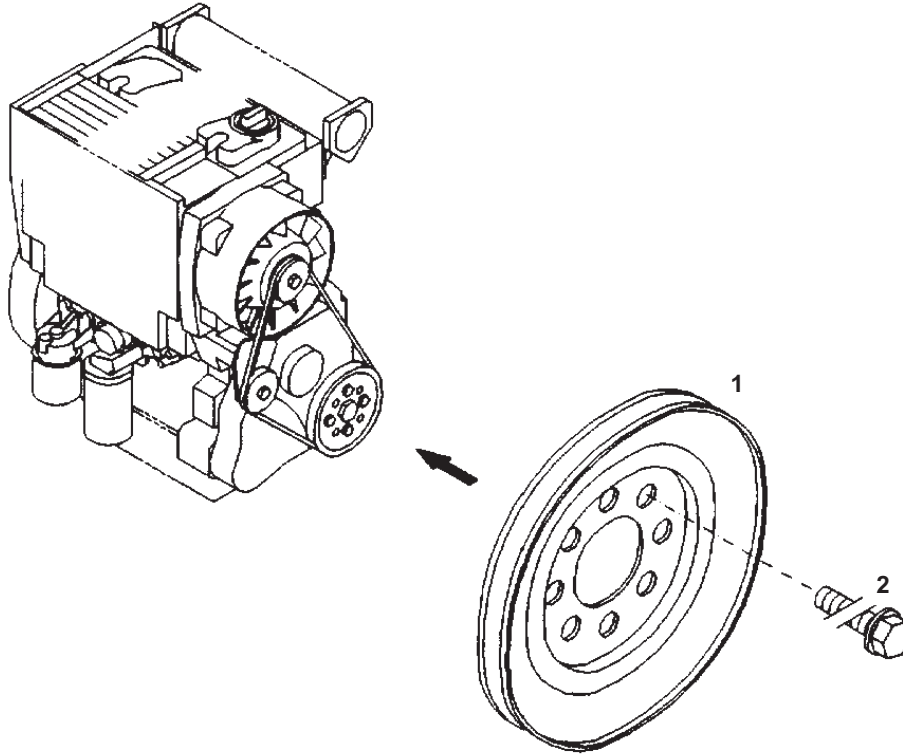
CLICK HERE TO **DOWNLOAD** THE COMPLETE MANUAL

- Thank you very much for reading the preview of the manual.
- You can download the complete manual from: [www.heydownloads.com](http://www.heydownloads.com) by clicking the link below

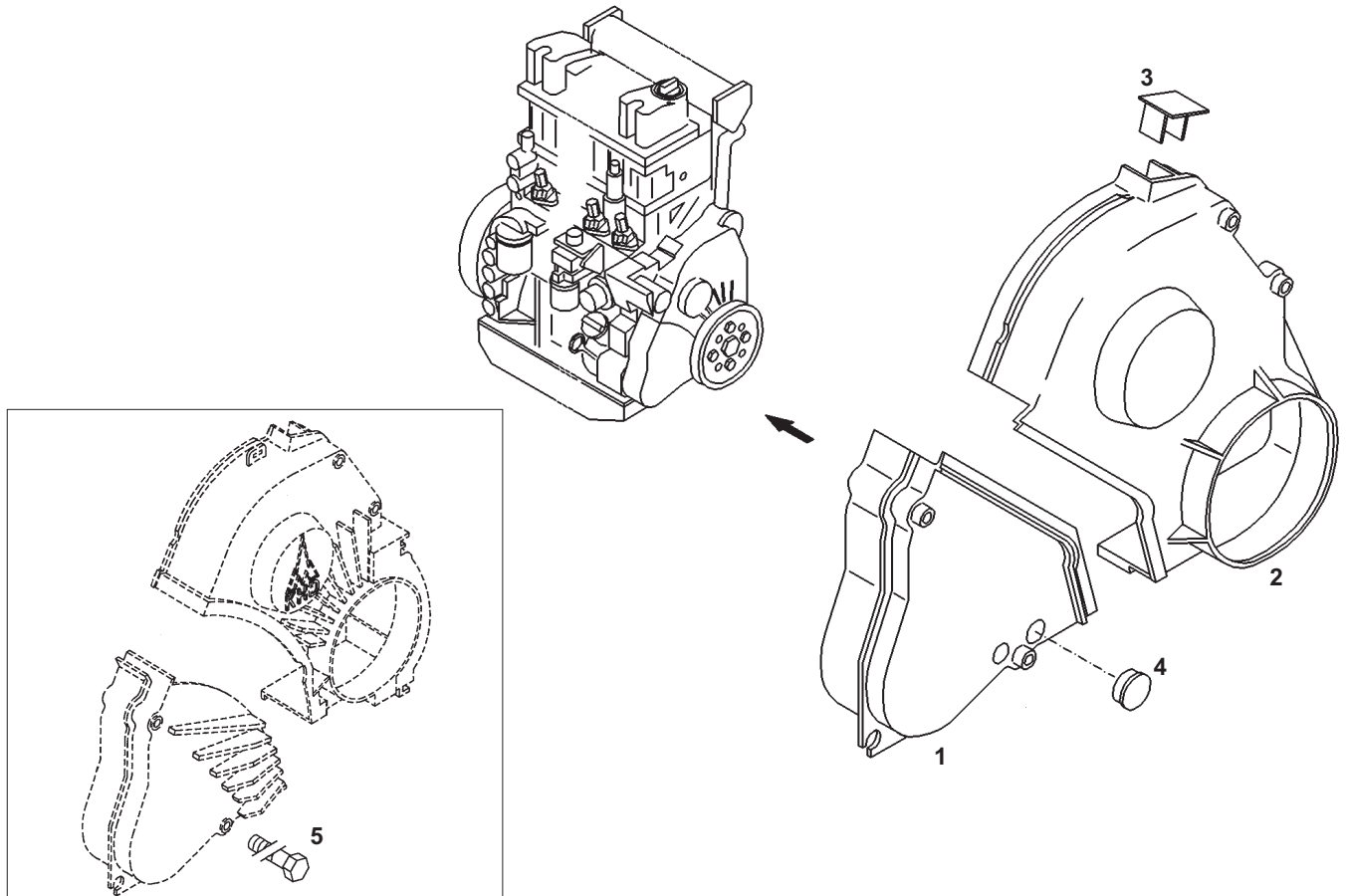


- Please note: If there is no response to CLICKING the link, please download this PDF first and then click on it.

CLICK HERE TO **DOWNLOAD** THE COMPLETE MANUAL

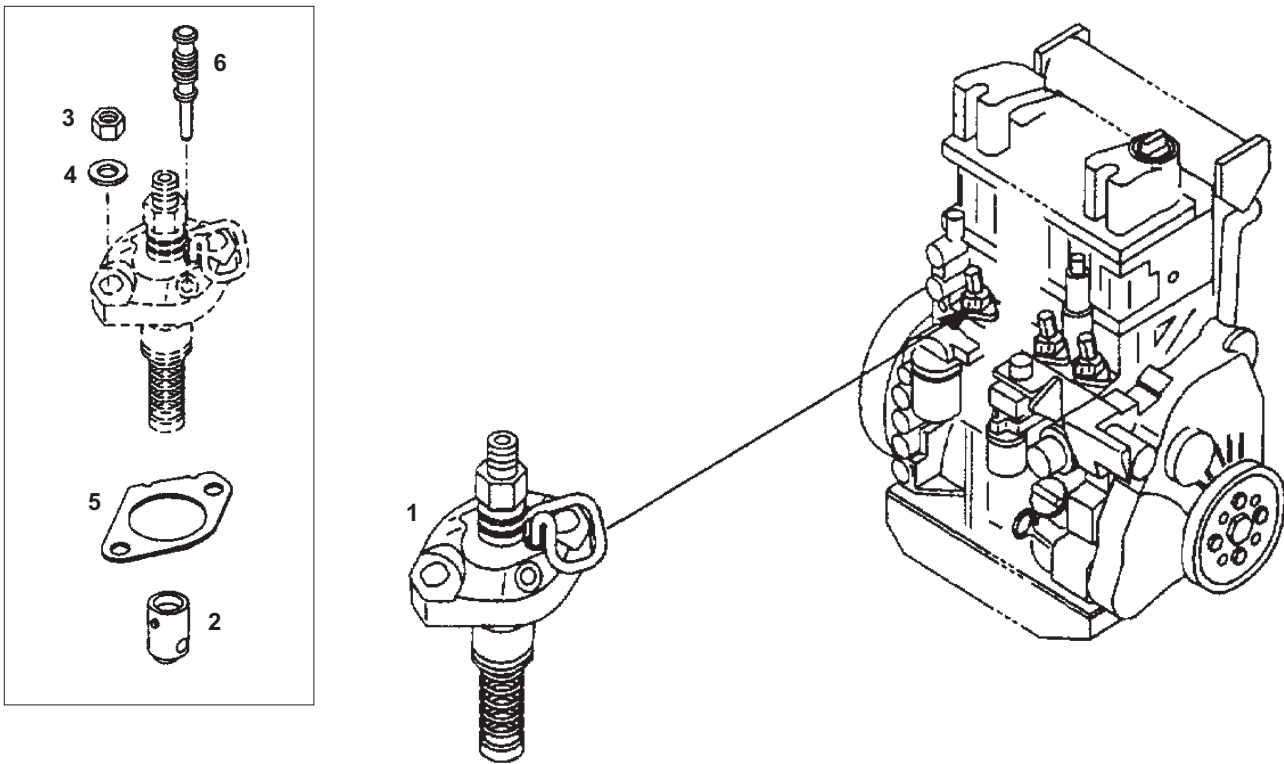


Ref No.	Part No.	Description	Quantity			
			F3M	F4M	BF3M	BF4M
1	133508	PULLEY/V-GROOVED	1	-	-	-
	133521	PULLEY/V-GROOVED	-	1	1	1
2	187240	BOLT/HEX	4	4	4	4

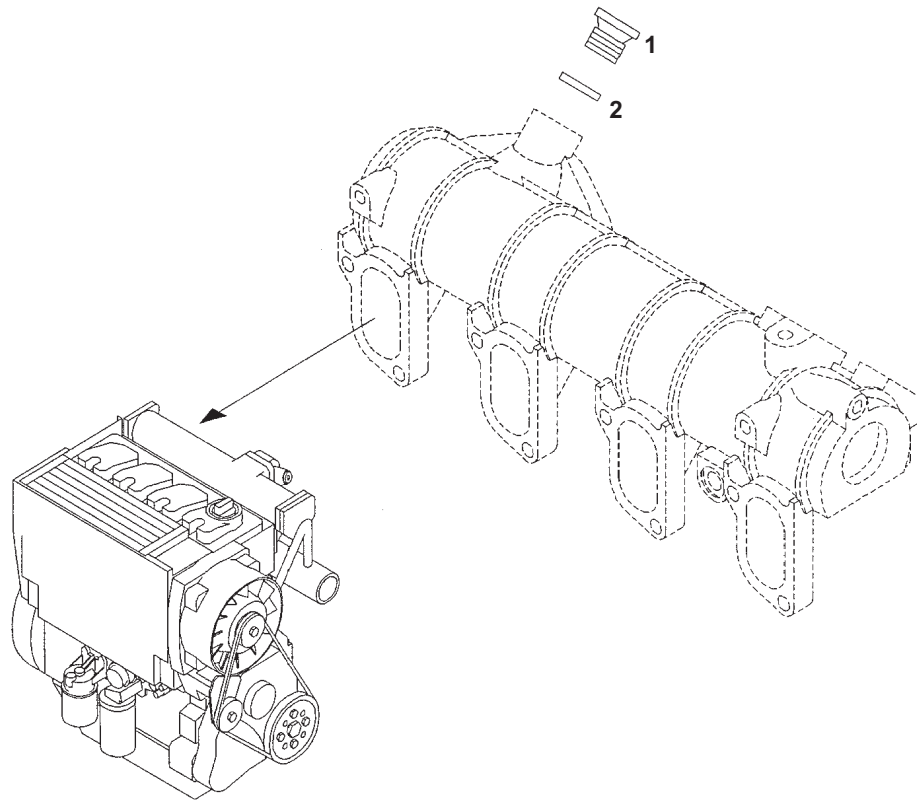


Ref No.	Part No.	Description	Quantity
1	135545	HOOD/PROTECTION TIMING BELT (INCLUDES ITEM 4)	1
2	133467	HOOD/PROTECTION CRANKSHAFT COVER	1
3	135534	PLUG	1
4	133216	PLUG	1
5	133145	BOLT/HEX 6 X 70MM CLASS 8.8	4

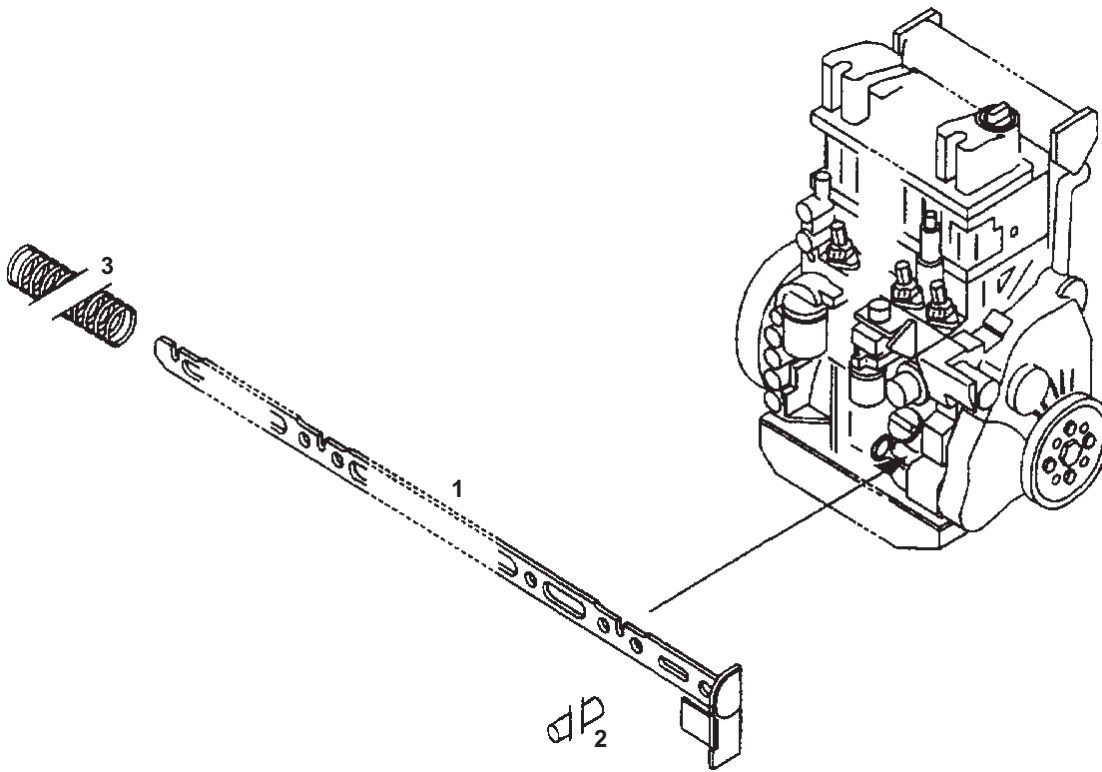
135561 Torx Socket (Special Tool) for screws on protection hoods.



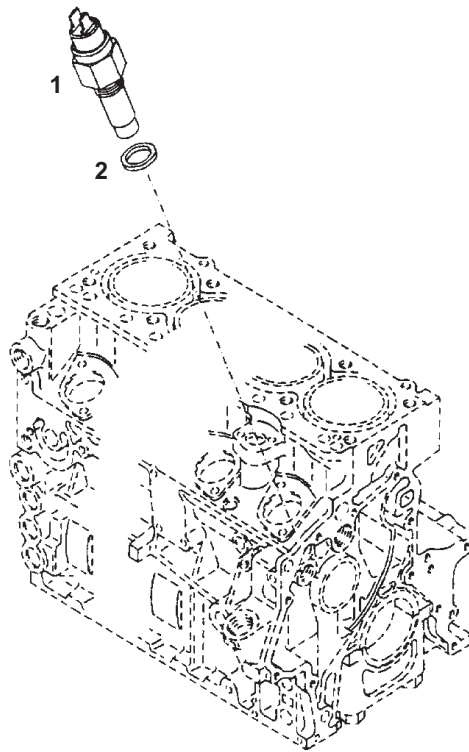
Ref No.	Part No.	Description	Quantity	
			F3M/F4M	BF3M/BF4M
1	133589	PUMP/FUEL INJECTION	1	-
	135523	PUMP/FUEL INJECTION	-	1
2	133392	TAPPET/ROLLER	1	1
3	133150	NUT/HEX 8-8MM	2	-
	133126	NUT/HEX	-	2
4	133337	WASHER/PLAIN	2	2
5	133418	GASKET/COMPENSATION 0.4MM	AR	AR
5A	133419	GASKET/COMPENSATION 0.5MM	AR	AR
5B	133420	GASKET/COMPENSATION 0.6MM	AR	AR
5C	133421	GASKET/COMPENSATION 0.7MM	AR	AR
5D	133422	GASKET/COMPENSATION 0.8MM	AR	AR
5E	133423	GASKET/COMPENSATION 0.9MM	AR	AR
5F	133424	GASKET/COMPENSATION 1.0MM	AR	AR
5G	187152	GASKET/COMPENSATION 1.1MM	AR	AR
5H	187151	GASKET/COMPENSATION 1.2MM	AR	AR
6	133438	PLUG	1	1



Ref No.	Part No.	Description	Quantity
1	133168	PLUG/SCREW	1
2	133138	RING/SEALING	1



Ref No.	Part No.	Description	Quantity	
			F3M/BF3M	F4M/BF4M
1	135527	ROD/CONTROL	1	-
	133578	ROD/CONTROL	-	1
2	133396	PIN/LOCATING	1	1
3	133360	SPRING/COMPRESSION	1	1



Ref No.	Part No.	Description	Quantity
1	133225	TRANSMITTER/TEMPERATURE SENDING (INCLUDES ITEM 2)	1
2	133161	RING/SEALING	1

CLICK HERE TO **DOWNLOAD** THE COMPLETE MANUAL

- Thank you very much for reading the preview of the manual.
- You can download the complete manual from: [www.heydownloads.com](http://www.heydownloads.com) by clicking the link below



- Please note: If there is no response to CLICKING the link, please download this PDF first and then click on it.

CLICK HERE TO **DOWNLOAD** THE COMPLETE MANUAL