

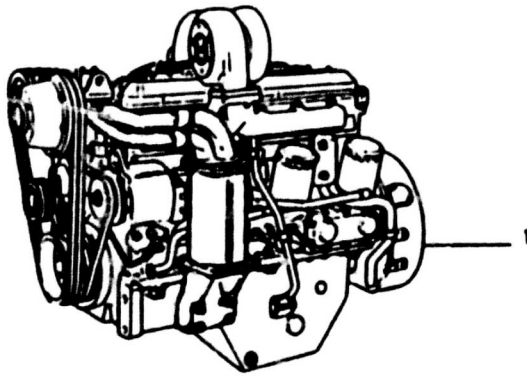
FIATALLIS FD9

AO.00

PICTURE 1

PAGE 1

ITEM	PART NUMBER	QTY	CODE	DESCRIPTION	DENOINACAO
1	4790845	01	130M	ENGINE ASS'Y	MOTOR COMPLETO



01

ENGINE - MOTOR

AO.00

1

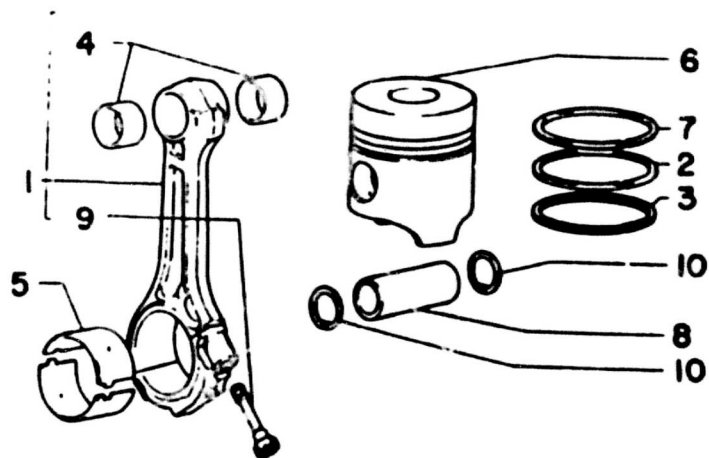
CLICK HERE TO **DOWNLOAD** THE COMPLETE MANUAL

- Thank you very much for reading the preview of the manual.
- You can download the complete manual from: www.heydownloads.com by clicking the link below

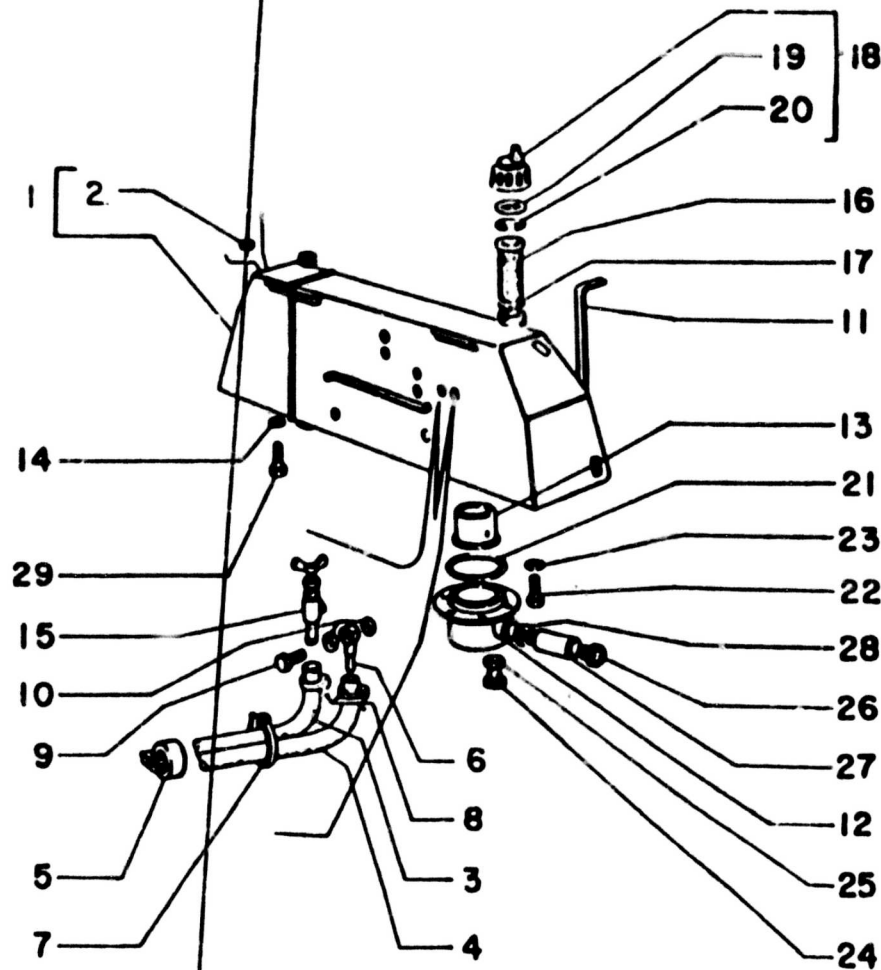


- Please note: If there is no response to CLICKING the link, please download this PDF first and then click on it.

CLICK HERE TO **DOWNLOAD** THE COMPLETE MANUAL



FIATALLIS FD9		A1.05		PICTURE 1	PAGE 1
ITEM	PART NUMBER	QTY	CODE	DESCRIPTION	DENOMINAÇÃO
1	4781342	06	50B	LINK ASS'Y	BIELA COMPLETA
2	4754401	06	50A	OILSCRAPER RING 0,0	ANEL RASPADOR 0,0
	4770632	06	50A	OILSCRAPER RING 0,4	ANEL RASPADOR 0,4
	4770634	06	50A	OILSCRAPER RING 0,8	ANEL RASPADOR 0,8
3	4754400	06	50A	OILSCRAPER RING 0,0	ANEL RASPADOR 0,0
	4771793	06	50A	OILSCRAPER RING 0,4	ANEL RASPADOR 0,4
	4771795	06	50A	OILSCRAPER RING 0,8	ANEL RASPADOR 0,8
4	4783226	06	95B	BUSHING	BUCHA
5	4780959	12	103S	HALF-BEARING -0,00	SEMI-CASQUILHO -0,00
	4780960	12	103S	HALF-BEARING -0,10	SEMI-CASQUILHO -0,10
	4780961	12	103S	HALF-BEARING -0,25	SEMI-CASQUILHO -0,25
	4780962	12	103S	HALF-BEARING -0,50	SEMI-CASQUILHO -0,50
	4780963	12	103S	HALF-BEARING -0,75	SEMI-CASQUILHO -0,75
	4780964	12	103S	HALF-BEARING -1,0	SEMI-CASQUILHO -1,0
6	4770996	06	235S	PISTON + 0,0	PISTÃO + 0,0
	4771827	06	235S	PISTON + 0,4	PISTÃO + 0,4
	4771829	06	235S	PISTON + 0,8	PISTÃO + 0,8
7	4758713	06	53A	RING + 0,0	ANEL + 0,0
	4771788	06	53A	RING + 0,4	ANEL + 0,4
	4771790	06	53A	RING + 0,8	ANEL + 0,8
8	4770451	06	80P	PIN	PINO
9	4780627	12	40V	SCREW	PARAFUSO
10	4770452	12	51A	LOCKRING	ANEL TRAVA



ITEM PART NO. QTY. LEX. DESCRIPTION

1	76006730	01	115S	TANK ASSY. 600X PRIOR TO UNIT NO. 30379
	75222058	01	115S	TANK ASSY. 600Y UNIT NO. 30379 AND UP
2	4588020	02	60D	DISK
3	75221740	01	193T	PIPE
4	75221741	01	193T	PIPE
5	79011405	01	231S	CLIP
6	79010217	01	20R	FITTING
7	79013422	03	31F	BAND
8	79084753	04	190C	CLAMP
9	10184317	01	90B	UNION
10	10279985	02	133R	SEAL
11	79037005	01	91A	DIPSTICK
12	79032038	01	265C	COVER OUTER
13	79032207	01	193T	PIPE
14	79005242	08	131R	WASHER
15	4989818	01	150R	COCK
16	79043879	01	65F	FILTER
17	4971843	01	51A	LOCKRING
18	4977118	01	54T	FILLER CAP ASSY.
19	60024509	01	133R	SEAL
20	4977122	01	51A	LOCKRING
21	14488480	01	55A	O RING
22	16043631	08	40V	SCREW
23	10571771	08	132R	LOCKWASHER
24	79007135	01	50T	PLUG
25	10296685	01	133R	SEAL
26	4987197	01	31I	LEVER GAUGE
27	79005104	01	20R	FITTING
28	10295485	01	133R	SEAL
29	11112631	08	40V	SCREW, M12X1.5X35

FD9

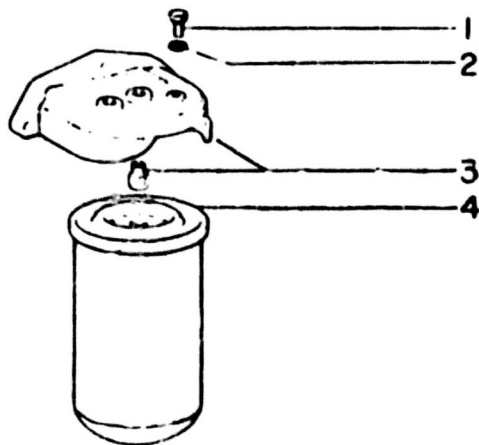
FUEL TANK AND LINES

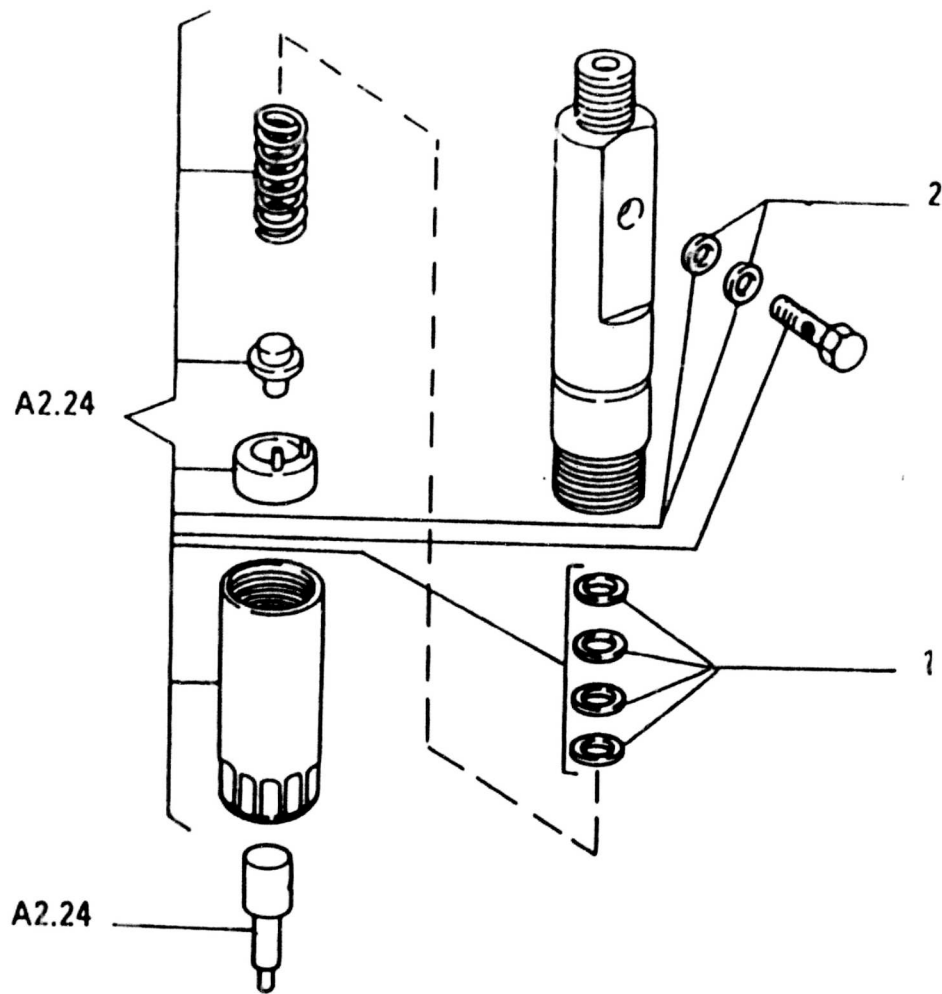
A201

1

REVISED MARCH 1991

ITEM	Nº DA PEÇA	QTDE	COD.	DENOMINAÇÃO	DESCRIPTION
1	4626467	01	50T	PLUG	BUJÃO
2	4626468	01	133R	SEAL	ARRUELA VEDAÇÃO
3	4640764	01	300C	BODY	CORPO
4	4964322	01	20E	FILTERING ELEMENT	ELEMENTO FILTRANTE





ITEM PART NO. QTY. LEX. DESCRIPTION

-	04802392	1	195P	HOLDER NOZZLE
			600L	INCL ITEM 1,2
1	00775014		198S	SHIM .30 MM
	00775015		198S	SHIM .41 MM
	00775016		198S	SHIM .44 MM
	00775017		198S	SHIM .47 MM
	00775018		198S	SHIM .50 MM
	00775019		198S	SHIM .53 MM
	00775025		198S	SHIM .56 MM
	00775026		198S	SHIM .59 MM
	00775027		198S	SHIM .62 MM
	00775028		198S	SHIM .65 MM
	00775029		198S	SHIM .68 MM
	00775030		198S	SHIM 0.98 MM
	00775031		198S	SHIM 1.28 MM
	00775032		198S	SHIM 1.58 MM
	00775116		198S	SHIM 1.80 MM
	00775146		198S	SHIM 2.18 MM
2	00772051	2	133R	SEAL

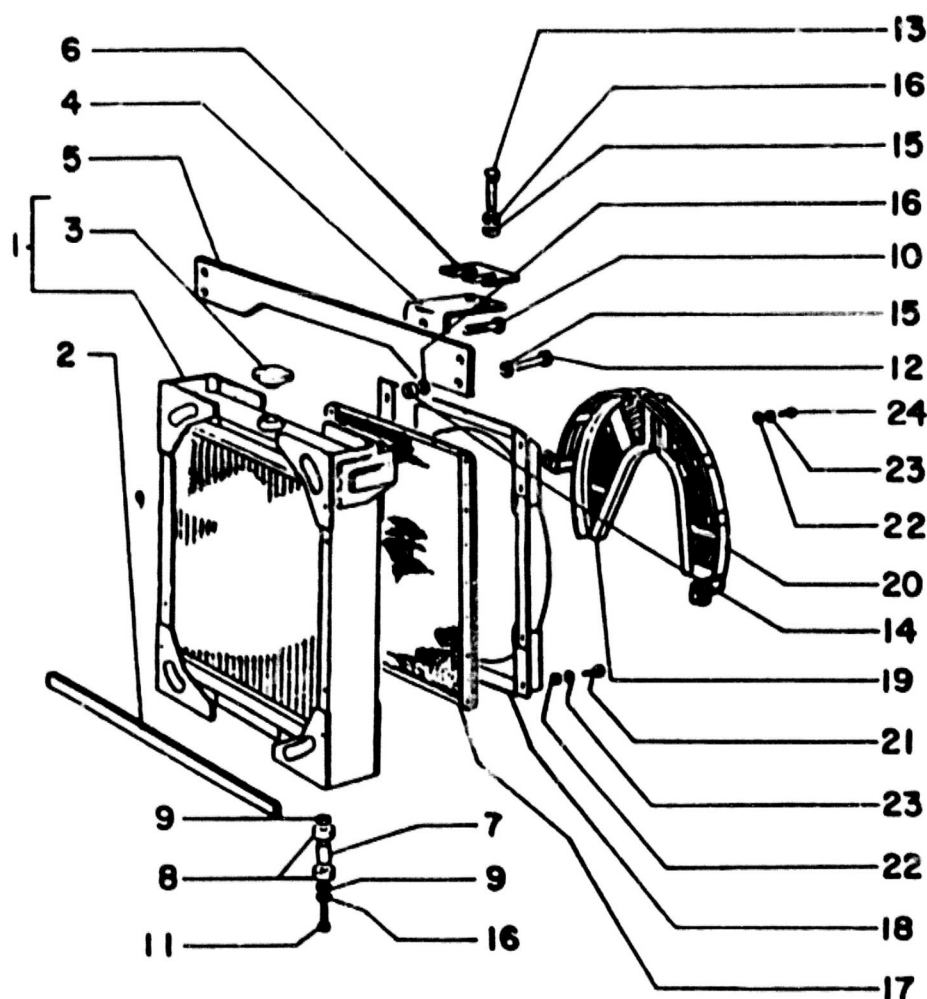
FD9

NOZZLE HOLDER 4802394

A235

2

ADDED MARCH 1991



ITEM PART NO. QTY. LEX. DESCRIPTION

1	79034941	01	25R	RADIATOR ASSY.
2	79040345	04	120G	LINING
3	4959324	01	50T	PLUG
4	78005619	02	225S	BRACKET
5	79035116	01	180T	CROSS BEAM
6	78005621	-	196S	SHM
				AS REQUIRED
7	75223898	04	75D	SPACER
8	4977098	08	61T	PAD
9	4977099	08	131R	WASHER
10	11113831	02	40V	SCREW
11	11113731	02	40V	SCREW
12	11112431	02	40V	SCREW
13	11112831	04	40V	SCREW
14	11702921	02	10D	NUT
15	12648921	08	131R	WASHER
16	10517079	10	132R	LOCKWASHER
17	79035139	01	110S	SCREEN
18	79035130	01	280C	SHROUD
19	79035143	01	115G	GUARD, RIGHT
20	79035165	01	115G	GUARD, LEFT
21	16043431	08	40V	SCREW
22	12646721	12	131R	WASHER
23	10571771	12	132R	LOCKWASHER
24	16043231	08	40V	SCREW

FD9

RADIATOR

A401

1

REVISED MARCH 1991

CLICK HERE TO **DOWNLOAD** THE COMPLETE MANUAL

- Thank you very much for reading the preview of the manual.
- You can download the complete manual from: www.heydownloads.com by clicking the link below



- Please note: If there is no response to CLICKING the link, please download this PDF first and then click on it.

CLICK HERE TO **DOWNLOAD** THE COMPLETE MANUAL