



**2004 KENTUCKY HDX  
ELECTRICAL WIRING  
MANUAL**

CLICK HERE TO **DOWNLOAD** THE COMPLETE MANUAL

- Thank you very much for reading the preview of the manual.
- You can download the complete manual from: [www.heydownloads.com](http://www.heydownloads.com) by clicking the link below



- Please note: If there is no response to CLICKING the link, please download this PDF first and then click on it.

CLICK HERE TO **DOWNLOAD** THE COMPLETE MANUAL

BOARD # 1 "BLUE"						
CONN	PIN	CIRCUIT CODE	WIRE COLOR	CIRCUIT DESCRIPTION	FUSE	RELAY
J1 BUZZER POWER SHUNT 52004092						
	1	BATT+	N/A	BATTERY POWER		
	2	SA33	N/A	BUZZER+	FUSE #24 (5 AMP)	
	3	IGN+	N/A	IGNITION POWER		
J2 STEP LIGHT POWER SHUNT 52004092						
	1	LM168	N/A	PARKING LIGHTS		
	2	-	N/A	TO STEP LIGHTS	FUSE #4 (10 AMP)	RELAY #2
	3	IGN+	N/A	IGNITION POWER		
J3 TO MAIN HARNESS CONN P/N AMP# 173851-1						
	1	LR170A	BLUE	BACK-UP LIGHT FEED		
	2	LS38	PURPLE	STROBE LIGHT		
	3	SA30	TAN	BUZZER-		
	4	SA29	BLUE	REAR DOOR BUZZER		
	5	SA31	GRAY	SIDE DOOR BUZZER (GROUND)		
	6					
	7	FD34	GRAY	LEFT DEFROSTER FAN LOW		
	8	LD21	BLACK	FRONT INTERIOR (DOME) LIGHTS		
	9	GND	WHITE	GROUND		
	10	SA33	PINK	BUZZER+		
	11	F317	ORANGE	HATCH FAN		
	12	DS27	PINK	IDENTIFICATION SIGN		
J4 TO MAIN HARNESS (TAIL LIGHTS) CONN P/N AMP# 173850-1						
	1	LR13	BLUE	RIGHT BACK-UP LIGHT		
	2	LR14	BLUE/WHITE	LEFT BACK-UP LIGHT		
	3	LB15	RED	RIGHT BRAKE LIGHT		
	4	LT10	YELLOW	LEFT TURN LIGHT		
	5	LT9	GREEN	RIGHT TURN LIGHT		
	6	LM12	BROWN/WHITE	LEFT TAIL LIGHT		
	7	LM11	BROWN	RIGHT TAIL LIGHT		
	8	LB16	RED/WHITE	LEFT BRAKE LIGHT		
J5 INPUT FROM CHASSIS TO BOARD #1 CONN P/N AMP# 173850-1						
	1	LM169	TAN	TAIL LIGHTS	FUSE #10 (15 AMP)	RELAY #8
	2	LB172	RED	BRAKE LIGHTS		
	3	LR170	BLUE	BACK-UP LIGHTS		
	4	SA32	YELLOW	STARTER INTERLOCK		
	5	LP70A	BLACK	PANEL LIGHTS FROM CHASSIS		
	6	KEY SW	BLACK	KEY SWITCH		RELAY #5
	7	LT175	GREEN	RIGHT TURN LIGHTS		
	8	LT174	YELLOW	LEFT TURN LIGHTS		
J6 TO MAIN HARNESS CONN P/N AMP# 173851-1						
	1	LM40	BROWN	TO MARKER LIGHTS		
	2	LM17	BROWN	TO CLUSTER LIGHTS		
	3	MH468	ORANGE	TO HEATED MIRRORS		
	4	MH469	BLUE	TO HEATED MIRRORS		
	5	SA32	YELLOW	STARTER INTERLOCK		
	6	DF426	GREEN	TO FRONT DOOR SOLENOID		
	7	LD20	TAN	DRIVER'S DOME LIGHT		
	8	LD19	BLACK	REAR INTERIOR (DOME) LIGHTS		

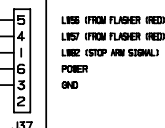
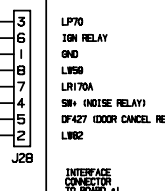
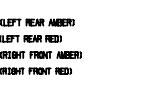
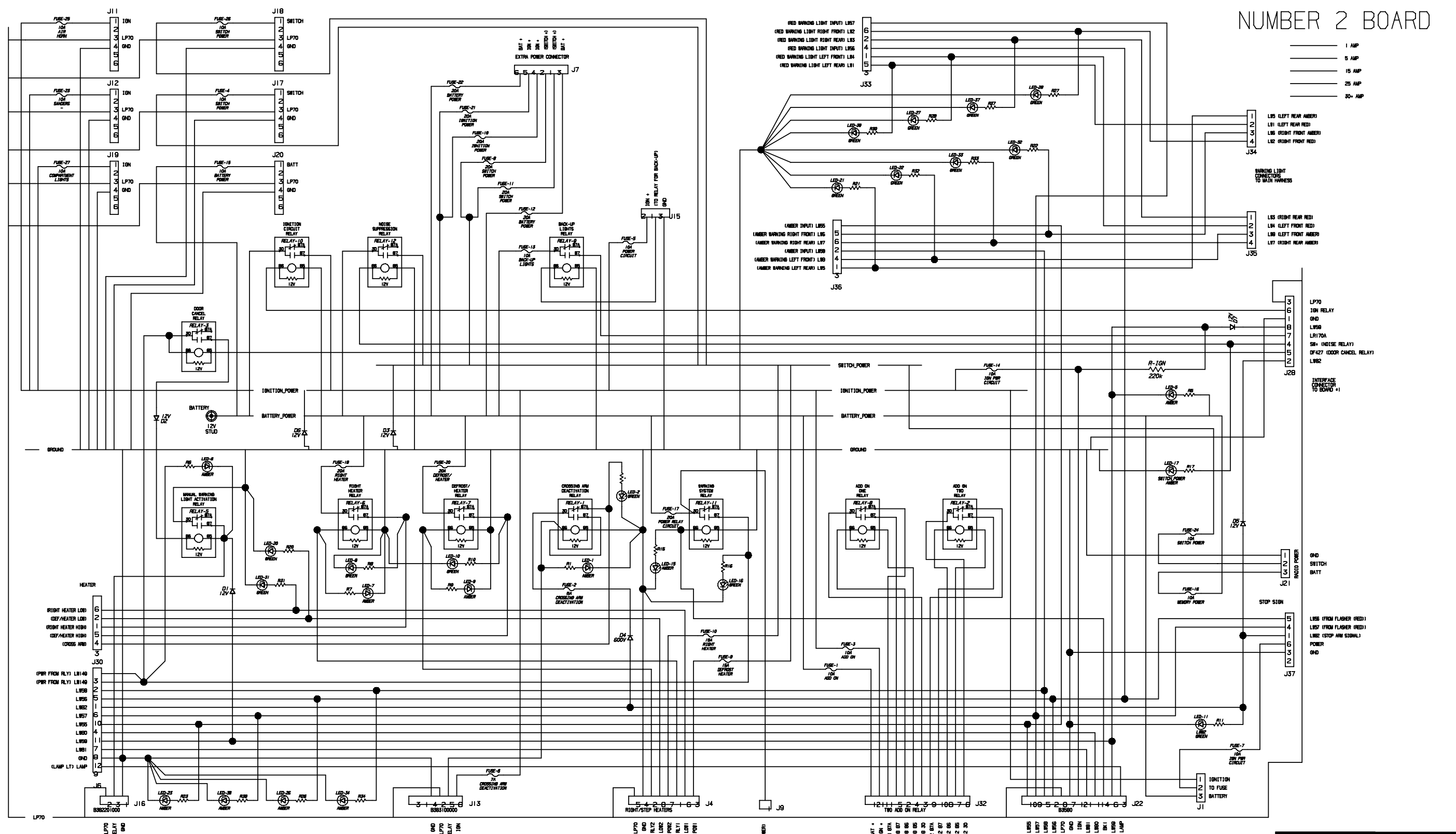
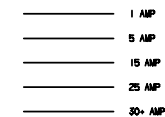
BOARD # 1 "BLUE"						
CONN	PIN	CIRCUIT CODE	WIRE COLOR	CIRCUIT DESCRIPTION	FUSE	RELAY
	9	FD35	TAN	RIGHT DEFROSTER FAN LOW		
	10	FD37	BLUE	RIGHT DEFROSTER FAN HIGH		
	11	FD36	BLACK	LEFT DEFROSTER FAN HIGH		
	12	AV599	PINK	TO VIDEO L.E.D.		
J7 TO FRONT HEATER CONN P/N AMP# 171898-1						
	1	L-H-L	GRAY	LEFT HEATER LOW		
	2	D/H-L	BROWN	DEFROST/HEATER LOW		
	3	D-H-H	TAN	DRIVER'S HEATER HIGH		
	4	D/H-H	YELLOW	DEFROST/HEATER HIGH	FUSE #18 (20 AMP)	RELAY #11
	5	L-H-H	YELLOW	LEFT HEATER HIGH	FUSE #22 (20 AMP)	RELAY #12
	6	D-H-L	PURPLE	DRIVER'S HEATER LOW		
J8 FRONT PASSENGER HEATER LOW CONN P/N AMP# 172128-1						
	1	-	RED/WHITE	FRONT PASSENGER HEATER LOW		
J9 REAR PASSENGER HEATER LOW CONN P/N AMP# 172128-1						
	1	--	RED/WHITE	REAR PASSENGER HEATER LOW		
J10 DEFROSTER FAN SWITCH CONN P/N AMP# 173850-1						
	1	FD35	TAN	RIGHT DEFROSTER FAN LOW		
	2	FD37	BLUE	RIGHT DEFROSTER FAN HIGH		
	3	FD34	GRAY	LEFT DEFROSTER FAN LOW		
	4	SW2+	BLUE	RIGHT FAN POWER	FUSE #16 (15 AMP)	
	5	SW1+	BLUE	LEFT FAN POWER	FUSE #17 (15 AMP)	
	6	FD36	BLACK	LEFT DEFROSTER FAN HIGH		
	7	GND	WHITE	GROUND		
	8	LP70	ORANGE	TO PANEL LIGHTS		



Sheet 2 of 4

PRINTED CIRCUIT BOARD ASSEMBLY 1

# NUMBER 2 BOARD



**Thomas**  
BULLY BUSES

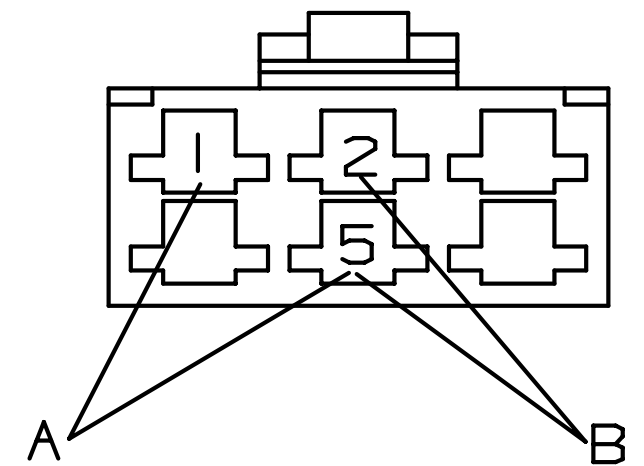
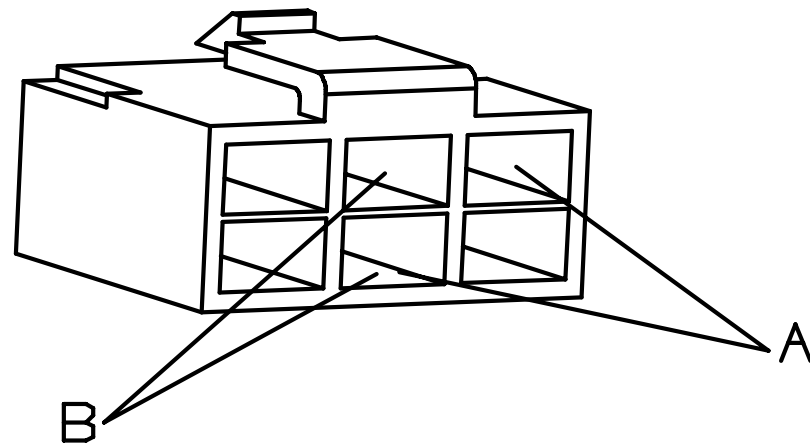
52005370 A

PC BOARD 2 SCHEMATIC

**LIGHTS  
SECTION**

NOTE:


- 1) TAG JUMPER FOR IDENTIFICATION.
- 2) ALL WIRE LENGTHS ON DRAWING ARE WIRE CUT LENGTHS.
- 3) (X) USE TERMINALS APPROPRIATE TO WIRE SIZE BASED ON CONNECTOR MFG. SPECIFICATIONS.



CONNECTOR FACE VIEW

- A) JUMPER BLACK 16 AWG = 2", PIN 1-5
- B) JUMPER BROWN 16 AWG = 2", PIN 2-5

- 1) AMP FASTON CONNECTOR 250 6P HOUSING - 171898-1 QTY:1
- 2) (X) AMP FEMALE TERMINALS - QTY:3
- 3) CONNECTOR TO BE LABELED: (30) IN BLUE INK

	52004096 B
JUMPER, INTERIOR LIGHTS CONNECTOR #30, BOARD #1	

WIRE TABLE  
SORTED BY FROM CONNECTOR AND PIN NO.

WIRE CKT CODE	FROM		TO		COLOR	GAUGE	CIRCUIT DESCRIPTION
	CONNECTOR	PIN NO.	CONNECTOR	PIN NO.			
LM168	BULKHEAD	A	P29-B1	3	BROWN (BR)	18	TAIL LIGHTS
LM168-1	E1	A	RT_PARK	A	BLACK (BK)	16	RIGHT PARK LIGHT
LM168-2	E1	A	LF_PARK	A	BLACK (BK)	16	LEFT PARK LIGHT
GND	E1 (L)	1	E2 (L)	1	BLACK (BK)	14	GROUND
GND	E1 (R)	1	E2 (R)	1	BLACK (BK)	14	GROUND
LM168	EXT_BH	A	E1	A	BLACK (BK)	16	TAIL LIGHTS
LT174	EXT_BH	B	LF_TURN	A	GREEN (GR)	16	LEFT TURN LIGHTS
LT175	EXT_BH	C	RT_TURN	A	YELLOW (YL)	16	RIGHT TURN LIGHTS
---	FUSE-10	B	BAT_STUD	12V	-	-	BOARD #1 BATTERY 12V
COMMON_GND	GND-1	1	GND_STUD	GND	WHITE (WH)	8	COMMON GROUND
GND-8	GND-1	1	E2	A	WHITE (WH)	12	GROUND
-	J4-B1	1	J4-B1	2	-	-	BOARD #1 SIGNAL TRACE
-	J4-B1	1	J5-B1	3	-	-	BOARD #1 SIGNAL TRACE
-	J4-B1	3	J4-B1	8	-	-	BOARD #1 SIGNAL TRACE
-	J4-B1	3	J5-B1	2	-	-	BOARD #1 SIGNAL TRACE
-	J4-B1	4	J29-B1	7	-	-	BOARD #1 SIGNAL TRACE
-	J4-B1	4	J5-B1	8	-	-	BOARD #1 SIGNAL TRACE
-	J4-B1	5	J29-B1	6	-	-	BOARD #1 SIGNAL TRACE
-	J4-B1	5	J5-B1	7	-	-	BOARD #1 SIGNAL TRACE
-	J4-B1	6	J4-B1	7	-	-	BOARD #1 SIGNAL TRACE
-	J4-B1	7	J29-B1	3	-	-	BOARD #1 SIGNAL TRACE
-	J4-B1	7	RELAY-B	87	-	-	BOARD #1 SIGNAL TRACE
LB15	J7-W200-B	A	P9-B	D	RED (RD)	16	RIGHT BRAKE LIGHT
LR13	J7-W200-B	B	P9-B	C	BLUE (BL)	16	RIGHT BACK-UP LIGHT
LM11	J7-W200-B	C	P9-B	B	BROWN (BR)	16	RIGHT TAIL LIGHT
LT9	J7-W200-B	D	P9-B	A	GREEN (GR)	16	RIGHT TURN LIGHT
LT9	J7-W200-B	D	P9A-BJ	A	GREEN (GR)	16	RIGHT TURN LIGHT
LT9	J7-W200-B	D	P9C-BJ	A	GREEN (GR)	16	RIGHT TURN LIGHT
LT10	J7-W200-B	E	P10A-BJ	A	YELLOW (YL)	16	LEFT TURN LIGHT
LT10	J7-W200-B	E	P10C-BJ	A	YELLOW (YL)	16	LEFT TURN LIGHT
LT10	J7-W200-B	E	P8-B	A	YELLOW (YL)	16	LEFT TURN LIGHT
LM12	J7-W200-B	F	P8-B	B	BRN/WHT (BRWH)	16	LEFT TAIL LIGHT
LR14	J7-W200-B	G	P8-B	C	BLU/WHT (BLWH)	16	LEFT BACK-UP LIGHT
LB16	J7-W200-B	H	P8-B	D	RED/WHT (RDWH)	16	LEFT BRAKE LIGHT
LT10	J8-B	A	CONN_#3(L)	A	YELLOW (YL)	16	LEFT TURN LIGHT
LM12	J8-B	B	CONN_#5(L)	B	BRN/WHT (BRWH)	16	LEFT TAIL LIGHT
LM12A	J8-B	B	CONN_#8(L)	A	BRN/WHT (BRWH)	16	LEFT TAIL LIGHT
LR14	J8-B	C	CONN_#9(L)	A	BLU/WHT (BLWH)	16	LEFT BACK-UP LIGHT
LB16	J8-B	D	CONN_#5(L)	A	RED/WHT (RDWH)	16	LEFT BRAKE LIGHT
LB16A	J8-B	D	CONN_#8(L)	B	RED/WHT (RDWH)	16	LEFT BRAKE LIGHT
LT9	J9-B	A	CONN_#3(R)	A	GREEN (GR)	16	RIGHT TURN LIGHT
LM11	J9-B	B	CONN_#5(R)	A	BROWN (BR)	16	RIGHT TAIL LIGHT
LM11A	J9-B	B	CONN_#8(R)	B	BROWN (BR)	16	RIGHT TAIL LIGHT
LR13	J9-B	C	CONN_#9(R)	A	BLUE (BL)	16	RIGHT BACK-UP LIGHT
LB15	J9-B	D	CONN_#5(R)	B	RED (RD)	16	RIGHT BRAKE LIGHT
LB15A	J9-B	D	CONN_#8(R)	A	RED (RD)	16	RIGHT BRAKE LIGHT
-	LED-11	1	J5-B1	1	-	-	BOARD #1 SIGNAL TRACE
-	LED-11	1	RELAY-B	86	-	-	BOARD #1 SIGNAL TRACE
--	LED-11	2	GND_STUD	GND	-	-	BOARD #1 GROUND
-	LED-30	1	J4-B1	4	-	-	BOARD #1 SIGNAL TRACE
--	LED-30	2	GND_STUD	GND	-	-	BOARD #1 GROUND
-	LED-31	1	J4-B1	3	-	-	BOARD #1 SIGNAL TRACE
--	LED-31	2	GND_STUD	GND	-	-	BOARD #1 GROUND
-	LED-32	1	J4-B1	5	-	-	BOARD #1 SIGNAL TRACE
--	LED-32	2	GND_STUD	GND	-	-	BOARD #1 GROUND
GND-4	LF_TURN	B	E2	A	WHITE (WH)	16	GROUND
LT10-A	P10-B-W100	A	P7-W100-B	E	YELLOW (YL)	16	LEFT TURN SIGNAL
LT175	P29-B1	6	BULKHEAD	C	GREEN (GR)	16	RIGHT TURN LIGHTS
LT174	P29-B1	7	BULKHEAD	B	YELLOW (YL)	16	LEFT TURN LIGHTS
LR13	P4-B1	1	P7-W100-B	B	BLUE (BL)	16	RIGHT BACK-UP LIGHT
LR14	P4-B1	2	P7-W100-B	G	BLU/WHT (BLWH)	16	LEFT BACK-UP LIGHT
LB15	P4-B1	3	P7-W100-B	A	RED (RD)	16	RIGHT BRAKE LIGHT
LT10-A	P4-B1	4	P7-W100-B	E	YELLOW (YL)	16	LEFT TURN SIGNAL
LT9-A	P4-B1	5	P7-W100-B	D	GREEN (GR)	16	RIGHT TURN SIGNAL
LM12	P4-B1	6	P7-W100-B	F	BRN/WHT (BRWH)	16	LEFT TAIL LIGHT
LM11	P4-B1	7	P7-W100-B	C	BROWN (BR)	16	RIGHT TAIL LIGHT
LB16	P4-B1	8	P7-W100-B	H	RED/WHT (RDWH)	16	LEFT BRAKE LIGHT
LT9-A	P9-B-W100	A	P7-W100-B	D	GREEN (GR)	16	RIGHT TURN SIGNAL
GND-5	RT_TURN	B	E2	A	WHITE (WH)	18	GROUND

WIRE TABLE  
SORTED BY WIRE CIRCUIT CODE

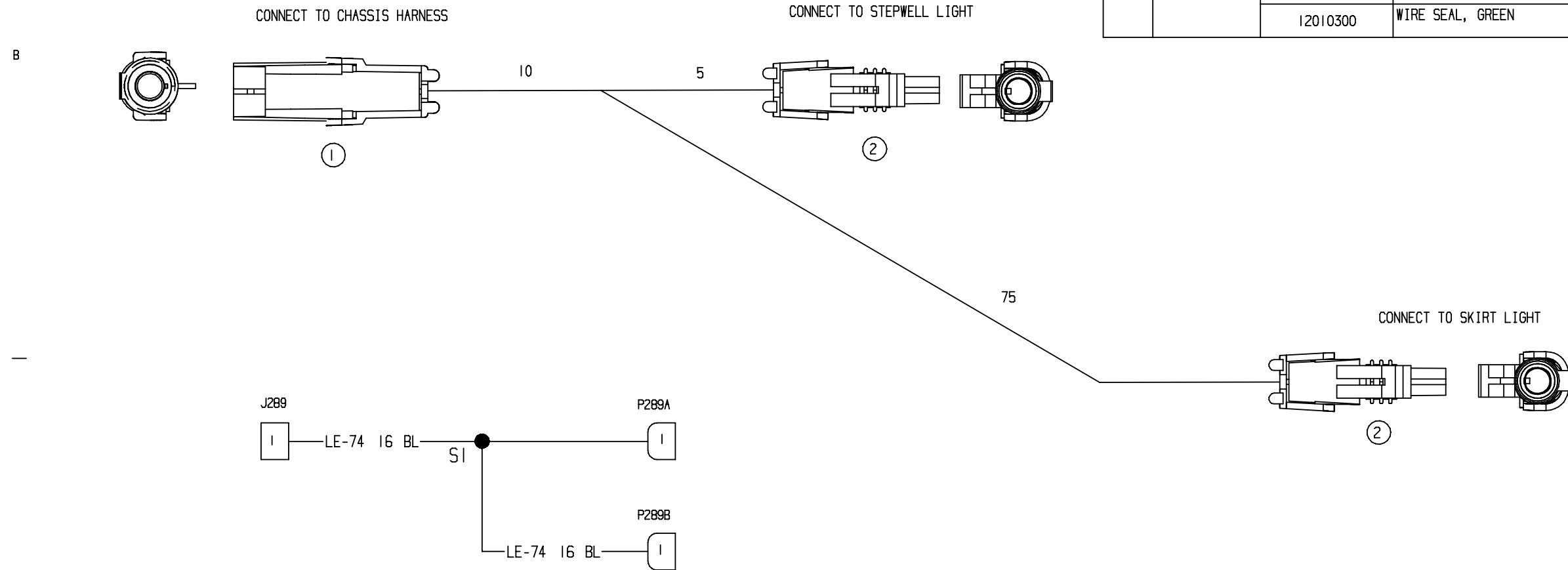
WIRE CKT CODE	FROM		TO		COLOR	GAUGE	CIRCUIT DESCRIPTION
	CONNECTOR	PIN NO.	CONNECTOR	PIN NO.			
-	J4-B1	1	J4-B1	2	-	-	BOARD #1 SIGNAL TRACE
-	J4-B1	1	J5-B1	3	-	-	BOARD #1 SIGNAL TRACE
-	J4-B1	3	J4-B1	8	-	-	BOARD #1 SIGNAL TRACE
-	J4-B1	3	J5-B1	2	-	-	BOARD #1 SIGNAL TRACE
-	J4-B1	4	J29-B1	7	-	-	BOARD #1 SIGNAL TRACE
-	J4-B1	4	J5-B1	8	-	-	BOARD #1 SIGNAL TRACE
-	J4-B1	5	J29-B1	6	-	-	BOARD #1 SIGNAL TRACE
-	J4-B1	5	J5-B1	7	-	-	BOARD #1 SIGNAL TRACE
-	J4-B1	6	J4-B1	7	-	-	BOARD #1 SIGNAL TRACE
-	J4-B1	7	J29-B1	3	-	-	BOARD #1 SIGNAL TRACE
-	J4-B1	7	RELAY-B	87	-	-	BOARD #1 SIGNAL TRACE
-	LED-11	1	J5-B1	1	-	-	BOARD #1 SIGNAL TRACE
-	LED-11	1	RELAY-B	86	-	-	BOARD #1 SIGNAL TRACE
-	LED-30	1	J4-B1	4	-	-	BOARD #1 SIGNAL TRACE
-	LED-31	1	J4-B1	3	-	-	BOARD #1 SIGNAL TRACE
-	LED-32	1	J4-B1	5	-	-	BOARD #1 SIGNAL TRACE
-	RELAY-B	30	FUSE-10	A	-	-	BOARD #1 SIGNAL TRACE
--	LED-11	2	GND_STUD	GND	-	-	BOARD #1 GROUND
--	LED-30	2	GND_STUD	GND	-	-	BOARD #1 GROUND
--	LED-31	2	GND_STUD	GND	-	-	BOARD #1 GROUND
--	LED-32	2	GND_STUD	GND	-	-	BOARD #1 GROUND
---	FUSE-10	B	BAT_STUD	12V	-	-	BOARD #1 BATTERY 12V
COMMON_GND	GND-1	1	GND_STUD	GND	WHITE (WH)	8	COMMON GROUND
GND	E1 (L)	1	E2 (L)	1	BLACK (BK)	14	GROUND
GND	E1 (R)	1	E2 (R)	1	BLACK (BK)	14	GROUND
GND-4	LF_TURN	B	E2	A	WHITE (WH)	16	GROUND
GND-5	RT_TURN	B	E2	A	WHITE (WH)	18	GROUND
GND-8	GND-1	1	E2	A	WHITE (WH)	12	GROUND
LB15	J7-W200-B	A	P9-B	D	RED (RD)	16	RIGHT BRAKE LIGHT
LB15	J9-B	D	CONN_#5(R)	B	RED (RD)	16	RIGHT BRAKE LIGHT
LB15	P4-B1	3	P7-W100-B	A	RED (RD)	16	RIGHT BRAKE LIGHT
LB16	J7-W200-B	H	P8-B	D	RED/WHT (RDWH)	16	LEFT BRAKE LIGHT
LB16	J8-B	D	CONN_#5(L)	A	RED/WHT (RDWH)	16	LEFT BRAKE LIGHT
LB16	P4-B1	8	P7-W100-B	H	RED/WHT (RDWH)	16	LEFT BRAKE LIGHT
LB15A	J9-B	D	CONN_#8(R)	A	RED (RD)	16	RIGHT BRAKE LIGHT
LB16A	J8-B	D	CONN_#8(L)	B	RED/WHT (RDWH)	16	LEFT BRAKE LIGHT
LM11	J7-W200-B	C	P9-B	B	BROWN (BR)	16	RIGHT TAIL LIGHT
LM11	J9-B	B	CONN_#5(R)	A	BROWN (BR)	16	RIGHT TAIL LIGHT
LM11	P4-B1	7	P7-W100-B	C	BROWN (BR)	16	RIGHT TAIL LIGHT
LM12	J7-W200-B	F	P8-B	B	BRN/WHT (BRWH)	16	LEFT TAIL LIGHT
LM12	J8-B	B	CONN_#5(L)	B	BRN/WHT (BRWH)	16	LEFT TAIL LIGHT
LM12	P4-B1	6	P7-W100-B	F	BRN/WHT (BRWH)	16	LEFT TAIL LIGHT
LM168	BULKHEAD	A	P29-B1	3	BROWN (BR)	18	TAIL LIGHTS
LM168	EXT_BH	A	E1	A	BLACK (BK)	16	TAIL LIGHTS
LM11A	J9-B	B	CONN_#8(R)	B	BROWN (BR)	16	RIGHT TAIL LIGHT
LM12A	J8-B	B	CONN_#8(L)	A	BRN/WHT (BRWH)	16	LEFT TAIL LIGHT
LM168-1	E1	A	RT_PARK	A	BLACK (BK)	16	RIGHT PARK LIGHT
LM168-2	E1	A	LF_PARK	A	BLACK (BK)	16	LEFT PARK LIGHT
LR13	J7-W200-B	B	P9-B	C	BLUE (BL)	16	RIGHT BACK-UP LIGHT
LR13	J9-B	C	CONN_#9(R)	A	BLUE (BL)	16	RIGHT BACK-UP LIGHT
LR13	P4-B1	1	P7-W100-B	B	BLUE (BL)	16	RIGHT BACK-UP LIGHT
LR14	J7-W200-B	G	P8-B	C	BLU/WHT (BLWH)	16	LEFT BACK-UP LIGHT
LR14	J8-B	C	CONN_#9(L)	A	BLU/WHT (BLWH)	16	LEFT BACK-UP LIGHT
LR14	P4-B1	2	P7-W100-B	G	BLU/WHT (BLWH)	16	LEFT BACK-UP LIGHT
LT9	J7-W200-B	D	P9-B	A	GREEN (GR)	16	RIGHT TURN LIGHT
LT9	J7-W200-B	D	P9A-BJ	A	GREEN (GR)	16	RIGHT TURN LIGHT
LT9	J7-W200-B	D	P9C-BJ	A	GREEN (GR)	16	RIGHT TURN LIGHT
LT9	J9-B	A	CONN_#3(R)	A	GREEN (GR)	16	RIGHT TURN LIGHT
LT10	J7-W200-B	E	P10A-BJ	A	YELLOW (YL)	16	LEFT TURN LIGHT
LT10	J7-W200-B	E	P10C-BJ	A	YELLOW (YL)	16	LEFT TURN LIGHT
LT10	J7-W200-B	E	P8-B	A	YELLOW (YL)	16	LEFT TURN LIGHT
LT10	J8-B	A	CONN_#3(L)	A	YELLOW (YL)	16	LEFT TURN LIGHT
LT174	EXT_BH	B	LF_TURN	A	GREEN (GR)	16	LEFT TURN LIGHTS
LT175	P29-B1	7	BULKHEAD	B	YELLOW (YL)	16	LEFT TURN LIGHTS
LT175	EXT_BH	C	RT_TURN	A	YELLOW (YL)	16	RIGHT TURN LIGHTS
LT175	P29-B1	6	BULKHEAD	C	GREEN (GR)	16	RIGHT TURN LIGHTS
LT10-A	P10-B-W100	A	P7-W100-B	E	YELLOW (YL)	16	LEFT TURN SIGNAL
LT10-A	P4-B1	4	P7-W100-B	E	YELLOW (YL)	16	LEFT TURN SIGNAL
LT9-A	P4-B1	5	P7-W100-B	D	GREEN (GR)	16	RIGHT TURN SIGNAL
LT9-A	P9-B-W100	A	P7-W100-B	D	GREEN (GR)	16	RIGHT TURN SIGNAL

Sheet 2 of 2


	52004811 A
	STANDARD EXTERIOR LIGHTING

1. REFER TO DWG #52001136 FOR HARNESS SPECIFICATIONS.
2. ALL WIRE LENGTHS ON DRAWING ARE BASED ON DIM'S BETWEEN WIRE "BREAK-OUTS" AND / OR BETWEEN "BREAK-OUTS" AND BACK END OF CONN. SHELLS.
3. (X) USE TERMINALS APPROPRIATE TO WIRE SIZE BASED ON CONNECTOR MFG. SPECIFICATIONS.
4. CONNECTORS ARE TO BE TAGGED WITH A PERMANENT INK OR PERMANENT LABEL IN A HIGHLY VISIBLE CONTRASTING COLOR.

ITEM	VENDOR	PART NO.	DESCRIPTION
1	DELPHI	12010996	CONNECTOR, DELPHI WEATHERPACK, RECEPTICAL, IP
		X	TERMINAL, MALE, DELPHI WEATHERPACK, 18 - 16 AWG
		12010300	WIRE SEAL, GREEN
2	DELPHI	12015791	CONNECTOR, DELPHI WEATHERPACK, PLUG, IP
		X	TERMINAL, FEMALE, DELPHI WEATHERPACK, 18 - 16 AWG
		12010300	WIRE SEAL, GREEN

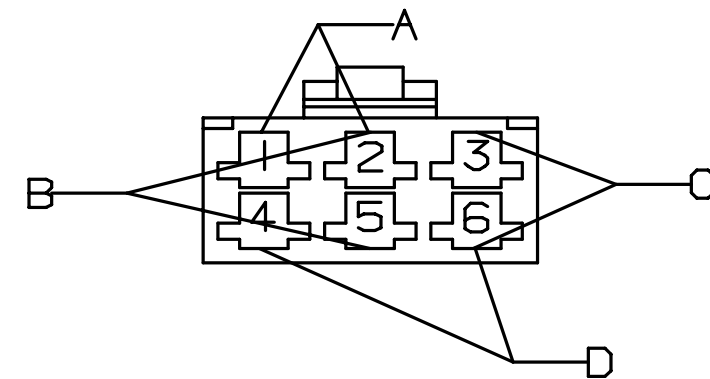
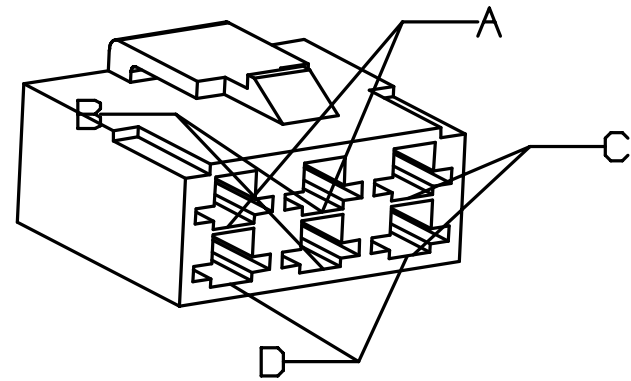


WIRE CKT CODE	FROM		TO		COLOR	GAUGE	CIRCUIT DESCRIPTION
	CONNECTOR	PIN NO.	CONNECTOR	PIN NO.			
LE-74	J289	1	P289A	1	BLUE (BL)	16	STEPWELL LIGHT
LE-74	SI	A	P289B	1	BLUE (BL)	16	STEPWELL LIGHT

	52007311 A
HARNESS, SKIRT LIGHT JUMPER w/DELPHI CON- NECTORS	

NOTE:


- 1) TAG JUMPER FOR IDENTIFICATION.
- 2) ALL WIRE LENGTHS ON DRAWING ARE WIRE CUT LENGTHS.
- 3) (X) USE TERMINALS APPROPRIATE TO WIRE SIZE BASED ON CONNECTOR MFG. SPECIFICATIONS.



CONNECTOR FACE VIEW

- A) JUMPER YELLOW 14 AWG = 2", PIN 1-2
- B) JUMPER YELLOW 14 AWG = 2", PIN 2-5
- C) JUMPER YELLOW 14 AWG = 2", PIN 3-6
- D) JUMPER YELLOW 14 AWG = 2", PIN 4-6

- 1) AMP, 250 SERIES FASTON CONNECTOR, 6 PIN HOUSING - 171898 QTY:1
- 2) (X) FEMALE TERMINALS
- 3) CONNECTOR TO BE LABELED: (36) IN RED INK

 <b>Thomas</b> BUILT BUSES	52004110 A
JUMPER, WARNING LIGHT (AMBER)	

**HEATERS  
SECTION**

CLICK HERE TO **DOWNLOAD** THE COMPLETE MANUAL

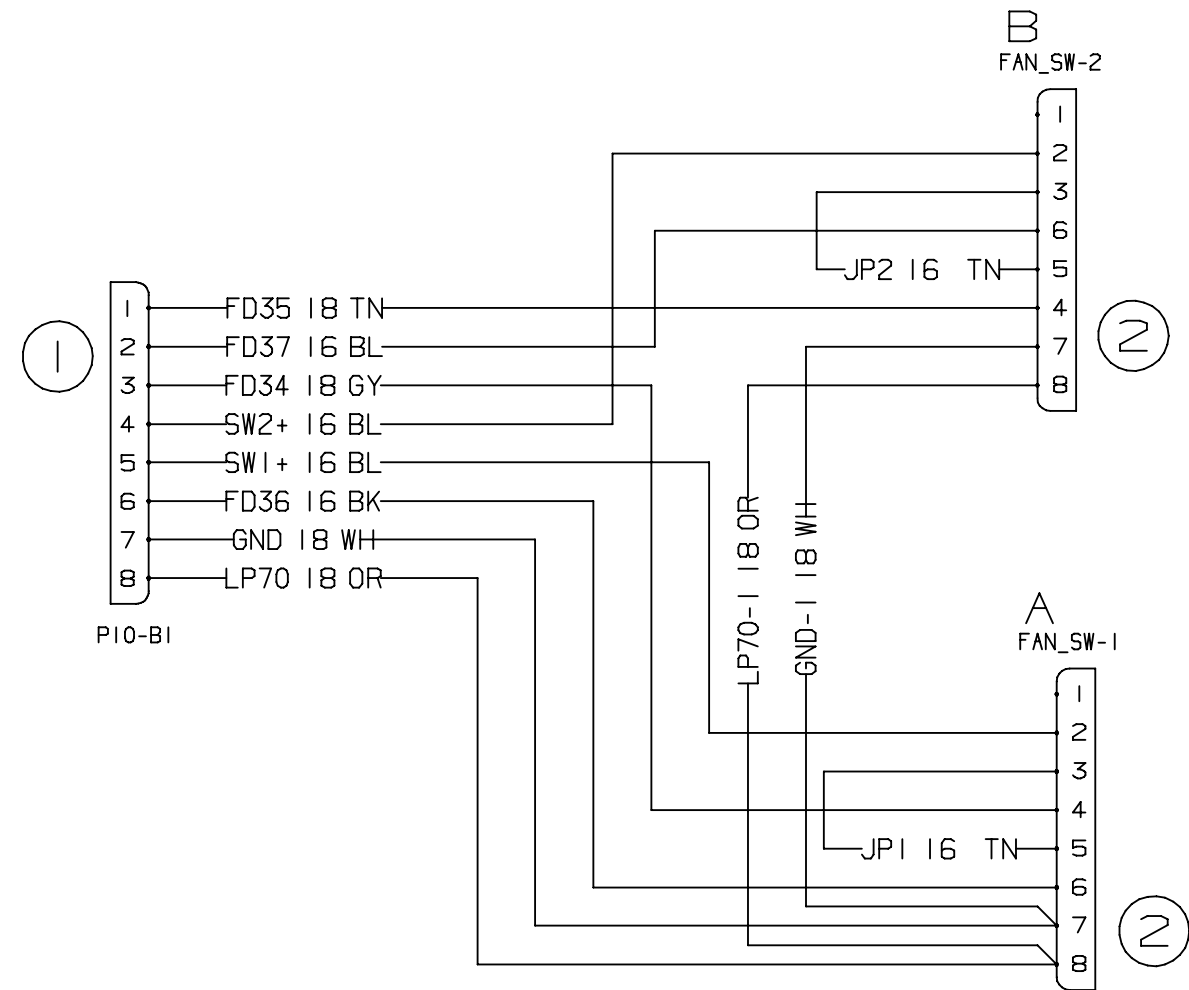
- Thank you very much for reading the preview of the manual.
- You can download the complete manual from: [www.heydownloads.com](http://www.heydownloads.com) by clicking the link below



- Please note: If there is no response to CLICKING the link, please download this PDF first and then click on it.

CLICK HERE TO **DOWNLOAD** THE COMPLETE MANUAL

CKT.CODE	GA	COLOR	DESCRIPTION
FD34	18	GRAY	FAN
FD35	18	TAN	FAN
FD36	16	BLACK	FAN
LP70	18	ORANGE	PANEL LIGHT
FD37	16	BLUE	FAN
SW1+	16	BLUE	SWITCH 1 POWER
SW2+	16	BLUE	SWITCH 2 POWER
GND	18	WHITE	GROUND
JPI	16	TAN	JUMPER 1
JP2	16	TAN	JUMPER 2



ITEM	VENDOR	PART NO.	DESCRIPTION
1	AMP	173850-1 173631-6	MULTILOCK CONNECTOR, 070 8P FEMALE TERMINALS, TIN/BRONZE
2	CARLING OR EQUIVALENT	99916716001	SWITCH CONNECTOR
	PACKARD	X	TERMINAL-FEMALE, 630 SERIES, TIN/BRASS

Sheet 2 of 2

<b>Thomas</b> BUILT BUSES	52004111 D
HARNES, FAN FROM PC BOARD 1 TO SWITCHES	

WIRE TABLE  
SORTED BY FROM CONNECTOR AND PIN NO.

WIRE CKT CODE	FROM		TO		COLOR	GAUGE	CIRCUIT DESCRIPTION
	CONNECTOR	PIN NO.	CONNECTOR	PIN NO.			
IGN_AL-	D1	2	IGN_STUD	12V	RED (RD)	16	IGNITION ALARM
GND-B	DOOR_SW	2	DOOR_SW	7	WHITE (WH)	18	GROUND
DF428	DOOR_SW	5	J428	2	RED (RD)	18	DOOR SIGNAL
DF426-B	DOOR_SW	6	J426	A	GREEN (GR)	18	DOOR CONTROLLER (OPEN)
IGN_AL-	IGN_AL-	B	D1	1	RED (RD)	16	IGNITION ALARM
-	J18-B1	1	J6-B1	6	-	-	BOARD #1 SIGNAL TRACE
-	J18-B1	1	LED-3	1	-	-	BOARD #1 SIGNAL TRACE
GND-L	J65-B	B	E-GND	1	WHITE (WH)	16	GROUND
-	LED-3	1	J6-B1	6	-	-	BOARD #1 SIGNAL TRACE
--	LED-3	2	GND_STUD	GND	-	-	BOARD #1 GROUND
JP-1	P428	1	P428	2	RED (RD)	18	P428 JUMPER 1
DF426	P18-B1	1	DOOR_SW	6	GREEN (GR)	18	DOOR CONTROLLER (OPEN)
DF427	P18-B1	2	DOOR_SW	1	YELLOW (YL)	18	MANUAL OVERRIDE RELAY
BATT	P18-B1	3	J428	1	GREEN (GR)	18	BATTERY POWER
LP70	P18-B1	4	DOOR_SW	8	ORANGE (OR)	18	PANEL LIGHTS
GND	P18-B1	5	DOOR_SW	7	WHITE (WH)	18	GROUND
SD59	P18-B1	6	DOOR_SW	3	PINK (PK)	18	SW SIGNAL (GND) TO WARN LT FLASHER
DF426	P6-B1	6	J65-B	A	GREEN (GR)	16	DOOR CONTROLLER (OPEN)
DOOR_AL+	P_DOOR_AL+	A	DOOR_AL+	A	GREEN (GR)	16	DOOR ALARM

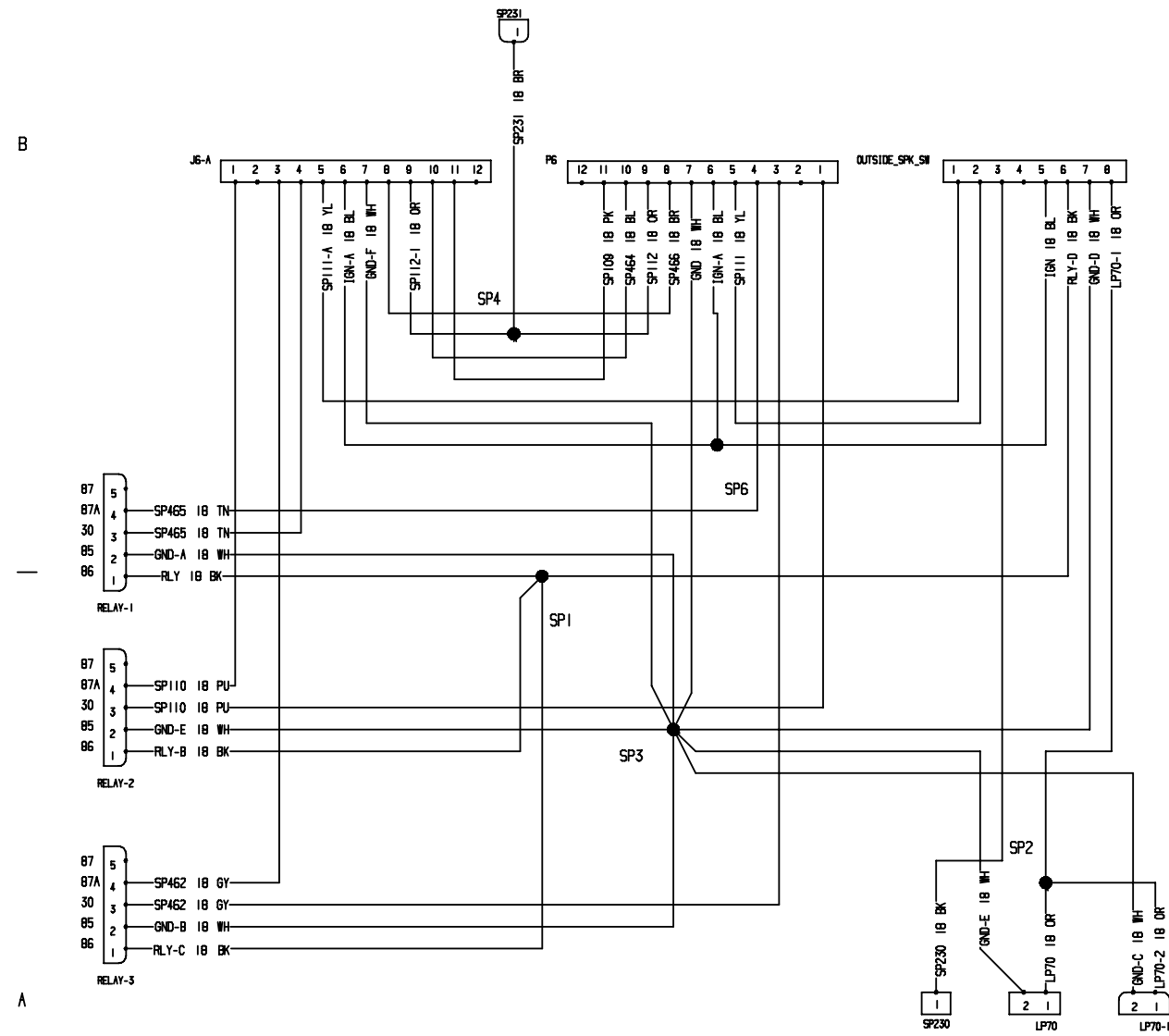
WIRE TABLE  
SORTED BY WIRE CIRCUIT CODE

WIRE CKT CODE	FROM		TO		COLOR	GAUGE	CIRCUIT DESCRIPTION
	CONNECTOR	PIN NO.	CONNECTOR	PIN NO.			
-	J18-B1	1	J6-B1	6	-	-	BOARD #1 SIGNAL TRACE
-	J18-B1	1	LED-3	1	-	-	BOARD #1 SIGNAL TRACE
-	LED-3	1	J6-B1	6	-	-	BOARD #1 SIGNAL TRACE
--	LED-3	2	GND_STUD	GND	-	-	BOARD #1 GROUND
BATT	P18-B1	3	J428	1	GREEN (GR)	18	BATTERY POWER
DF426	P18-B1	1	DOOR_SW	6	GREEN (GR)	18	DOOR CONTROLLER (OPEN)
DF426	P6-B1	6	J65-B	A	GREEN (GR)	16	DOOR CONTROLLER (OPEN)
DF427	P18-B1	2	DOOR_SW	1	YELLOW (YL)	18	MANUAL OVERRIDE RELAY
DF428	DOOR_SW	5	J428	2	RED (RD)	18	DOOR SIGNAL
DF426-B	DOOR_SW	6	J426	A	GREEN (GR)	18	DOOR CONTROLLER (OPEN)
DOOR_AL+	P_DOOR_AL+	A	DOOR_AL+	A	GREEN (GR)	16	DOOR ALARM
GND	P18-B1	5	DOOR_SW	7	WHITE (WH)	18	GROUND
GND-B	DOOR_SW	2	DOOR_SW	7	WHITE (WH)	18	GROUND
GND-L	J65-B	B	E-GND	1	WHITE (WH)	16	GROUND
IGN_AL-	D1	2	IGN_STUD	12V	RED (RD)	16	IGNITION ALARM
IGN_AL-	IGN_AL-	B	D1	1	RED (RD)	16	IGNITION ALARM
JP-1	P428	1	P428	2	RED (RD)	18	P428 JUMPER 1
LP70	P18-B1	4	DOOR_SW	8	ORANGE (OR)	18	PANEL LIGHTS
SD59	P18-B1	6	DOOR_SW	3	PINK (PK)	18	SW SIGNAL (GND) TO WARN LT FLASHER



Sheet 2 of 2

FRONT DOOR

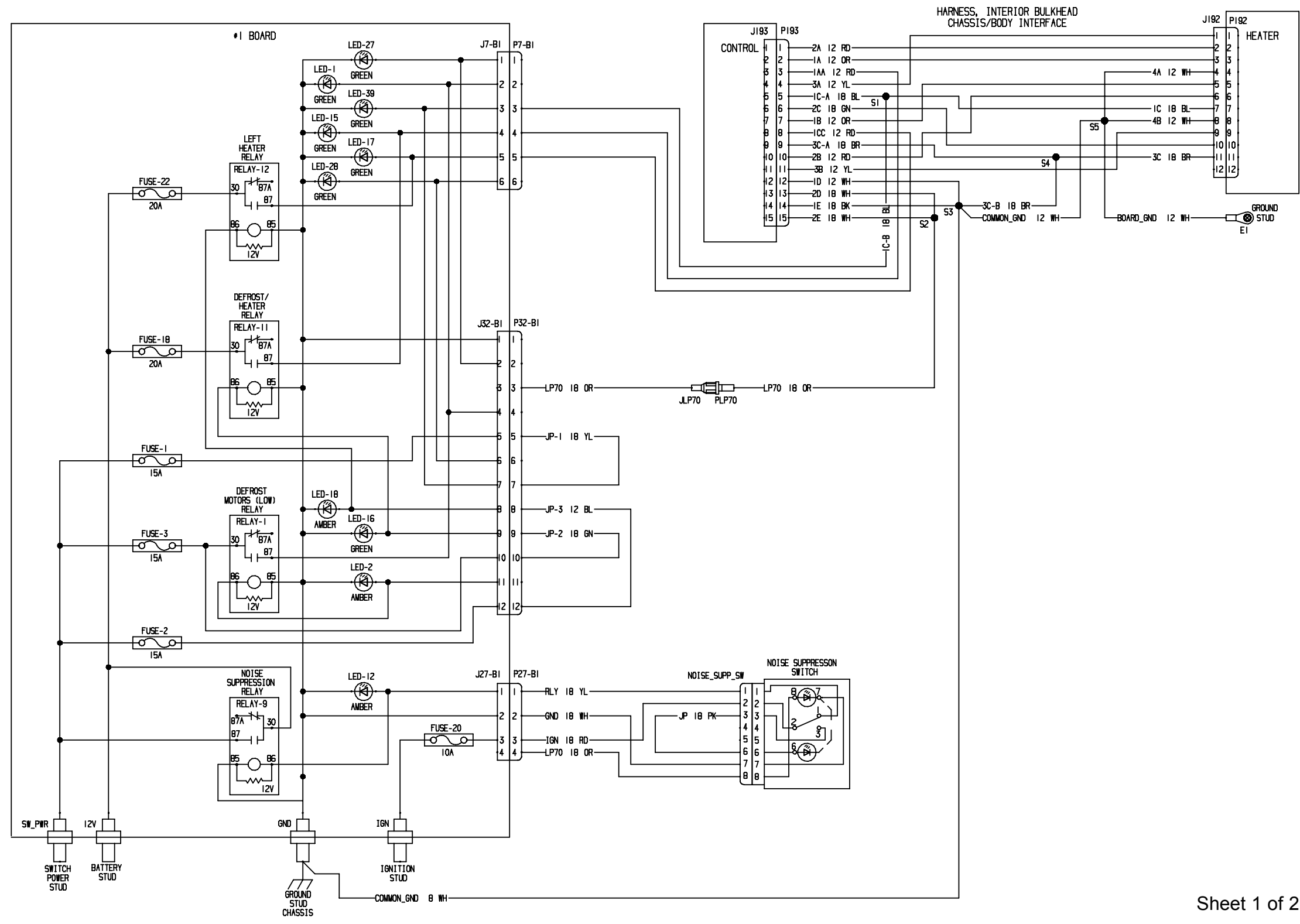


WIRE CKT CODE	FROM		TO		COLOR	GAUGE	CIRCUIT DESCRIPTION
	CONNECTOR	PIN NO.	CONNECTOR	PIN NO.			
SP109	J6-A	11	P6	11	PINK (PK)	18	RIGHT REAR SPEAKER (-)
SP462	J6-A	3	RELAY-3	4	GRAY (GY)	18	RIGHT FRONT SPEAKER (+)
SP466	J6-A	8	P6	8	BROWN (BR)	18	LEFT FRONT SPEAKER (-)
SP111-A	J6-A	5	OUTSIDE_SPK_SW	1	YELLOW (YL)	18	LEFT REAR SPEAKER (+)
LP70	LP70	1	SP2	A	ORANGE (OR)	18	PANEL LIGHTS
GND-D	OUTSIDE_SPK_SW	7	SP3	A	WHITE (WH)	18	GROUND
IGN	OUTSIDE_SPK_SW	5	SP6	A	BLUE (BL)	18	IGNITION POWER
LP70-1	OUTSIDE_SPK_SW	8	SP2	A	ORANGE (OR)	18	PANEL LIGHTS
SP111	OUTSIDE_SPK_SW	2	P6	5	YELLOW (YL)	18	LEFT REAR SPEAKER (+)
SP462	P6	3	RELAY-3	3	GRAY (GY)	18	RIGHT FRONT SPEAKER (+)
SP464	P6	10	J6-A	10	BLUE (BL)	18	RIGHT FRONT SPEAKER (-)
SP465	P6	4	RELAY-1	4	TAN (TN)	18	LEFT FRONT SPEAKER (+)
GND-A	RELAY-1	2	SP3	A	WHITE (WH)	18	GROUND
RLY	RELAY-1	1	SP1	A	BLACK (BK)	18	RELAY SIGNAL
SP465	RELAY-1	3	J6-A	4	TAN (TN)	18	LEFT FRONT SPEAKER (+)
GND-E	RELAY-2	2	SP3	A	WHITE (WH)	18	GROUND
RLY-B	RELAY-2	1	SP1	A	BLACK (BK)	18	RELAY SIGNAL
SP110	RELAY-2	3	P6	1	PURPLE (PU)	18	RIGHT REAR SPEAKER (+)
SP110	RELAY-2	4	J6-A	1	PURPLE (PU)	18	RIGHT REAR SPEAKER (+)
GND-B	RELAY-3	2	SP3	A	WHITE (WH)	18	GROUND
RLY-C	RELAY-3	1	SP1	A	BLACK (BK)	18	RELAY SIGNAL
RLY-D	SP1	A	OUTSIDE_SPK_SW	6	BLACK (BK)	18	RELAY SIGNAL
LP70-2	SP2	A	LP70-1	1	ORANGE (OR)	18	PANEL LIGHTS
GND	SP3	A	P6	7	WHITE (WH)	18	GROUND
GND-C	SP3	A	LP70-1	2	WHITE (WH)	18	GROUND
GND-E	SP3	A	LP70	2	WHITE (WH)	18	GROUND
GND-F	SP3	A	J6-A	7	WHITE (WH)	18	GROUND
SP112	SP4	A	P6	9	ORANGE (OR)	18	LEFT REAR SPEAKER (-)
SP231	SP4	A	SP231	1	BROWN (BR)	18	OUTSIDE SPEAKER -
SP112-1	SP4	A	J6-A	9	ORANGE (OR)	18	LEFT REAR SPEAKER (-)
IGN-A	SP6	A	J6-A	6	BLUE (BL)	18	IGNITION POWER
IGN-A	SP6	A	P6	6	BLUE (BL)	18	IGNITION POWER
SP230	SP230	1	OUTSIDE_SPK_SW	3	BLACK (BK)	18	OUTSIDE SPEAKER +

<b>Thomas</b> BUILT BUSES	52005377 E
<b>HARNES, EXTERIOR SPEAKER</b>	

8 1 7 1 6 1 5 1 4 1 3 1 2 1 1

D  
C  
B  
A



OPTION: B3833-00-000



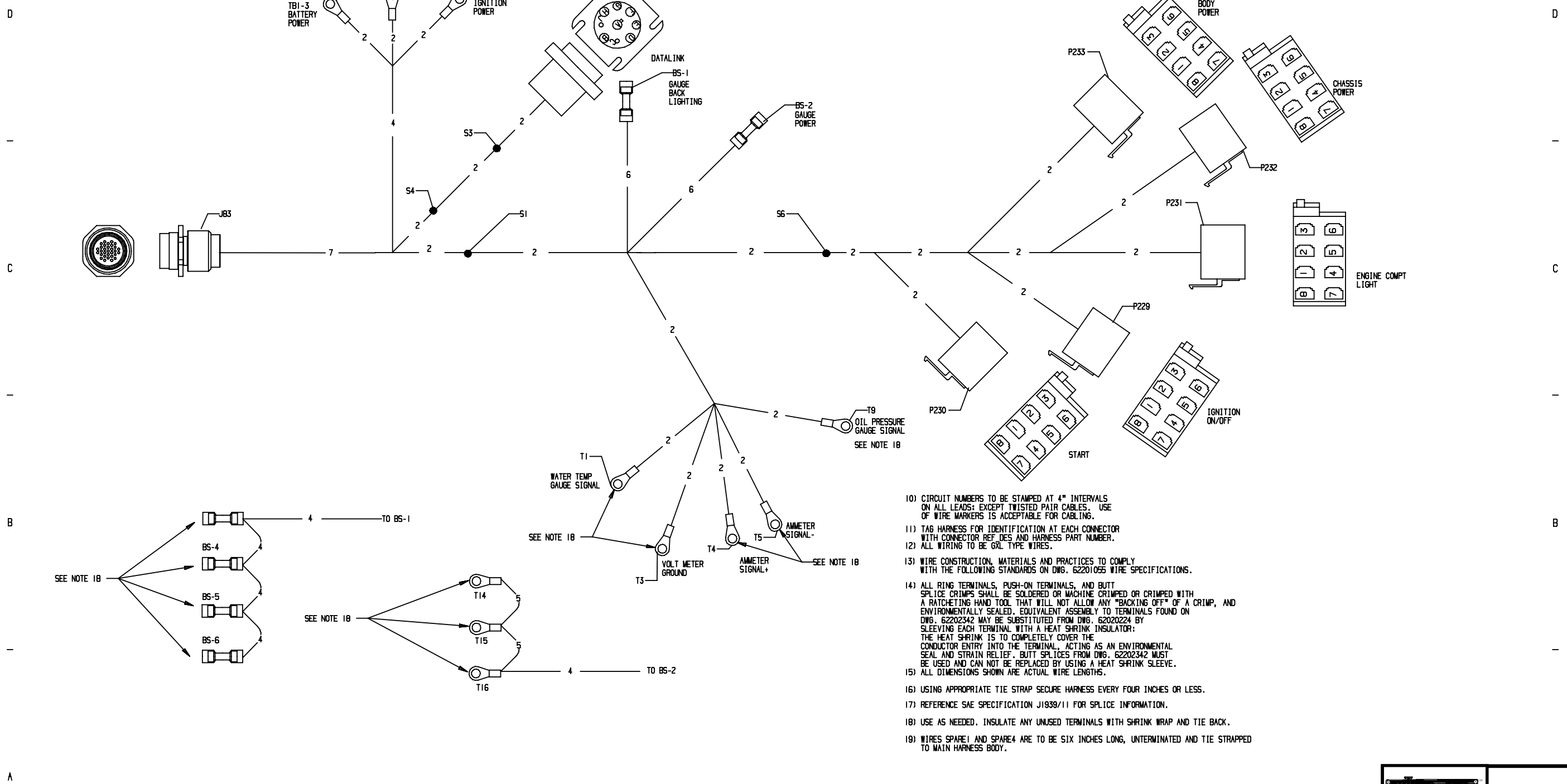
**NOISE SUPPRESSION -  
SINGLE HEATER  
DEFROST SWITCH**

Option: B3833-00-00

Sheet 1 of 2

8 1 7 1 6 1 5 1 4 1 3 1 2 1 1

B 1 7 1 6 1 5 1 4 1 3 1 2 1 1



SEE NOTE 18

SEE NOTE 18

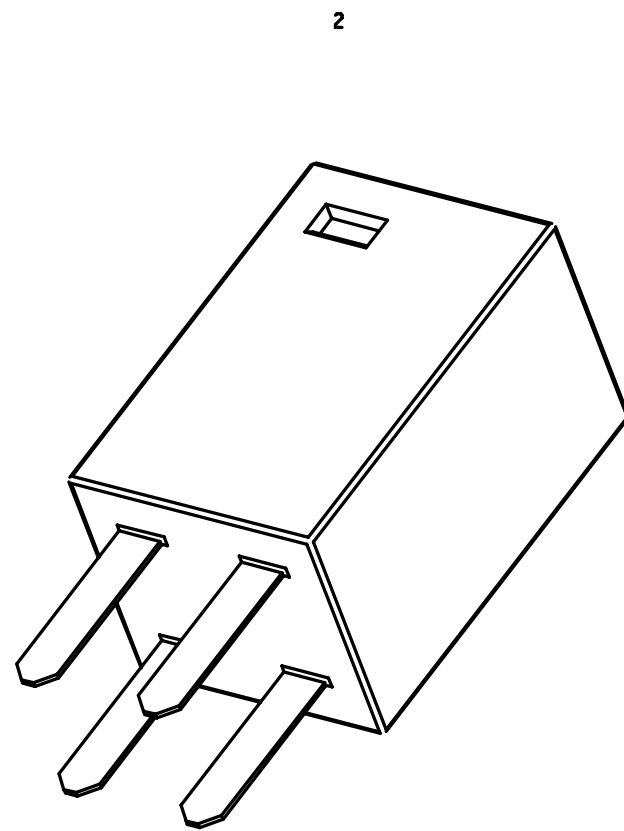
- 10) CIRCUIT NUMBERS TO BE STAMPED AT 4" INTERVALS ON ALL LEADS, EXCEPT TWISTED PAIR CABLES. USE OF WIRE MARKERS IS ACCEPTABLE FOR CABLING.
- 11) TAG HARNESS FOR IDENTIFICATION AT EACH CONNECTOR WITH CONNECTOR REF DES AND HARNESS PART NUMBER.
- 12) ALL WIRING TO BE GRL TYPE WIRES.
- 13) WIRE CONSTRUCTION, MATERIALS AND PRACTICES TO COMPLY WITH THE FOLLOWING STANDARDS ON DWG. 62201055 WIRE SPECIFICATIONS.
- 14) ALL RING TERMINALS, PUSH-ON TERMINALS, AND BUTT SPLICE CRIMPS SHALL BE SOLDERED OR MACHINE CRIMPED OR CRIMPED WITH A RATCHETING HAND TOOL THAT WILL NOT ALLOW ANY "BACKING OFF" OF A CRIMP, AND ENVIRONMENTALLY SEALED, EQUIVALENT ASSEMBLY TO TERMINALS FOUND ON DWG. 62202342 MAY BE SUBSTITUTED FROM DWG. 62020224 BY SLEEVING EACH TERMINAL WITH A HEAT SHRINK INSULATOR: THE HEAT SHRINK IS TO COMPLETELY COVER THE CONDUCTOR ENTRY INTO THE TERMINAL, ACTING AS AN ENVIRONMENTAL SEAL AND STRAIN RELIEF. BUTT SPLICES FROM DWG. 62202342 MUST BE USED AND CAN NOT BE REPLACED BY USING A HEAT SHRINK SLEEVE.
- 15) ALL DIMENSIONS SHOWN ARE ACTUAL WIRE LENGTHS.
- 16) USING APPROPRIATE TIE STRAP SECURE HARNESS EVERY FOUR INCHES OR LESS.
- 17) REFERENCE SAE SPECIFICATION J1939/11 FOR SPLICE INFORMATION.
- 18) USE AS NEEDED. INSULATE ANY UNUSED TERMINALS WITH SHRINK WRAP AND TIE BACK.
- 19) WIRES SPARE1 AND SPARE4 ARE TO BE SIX INCHES LONG, URMTERMINATED AND TIE STRAPPED TO MAIN HARNESS BODY.

<b>Thomas</b> BUILT BUSES	62204270 A
------------------------------	------------

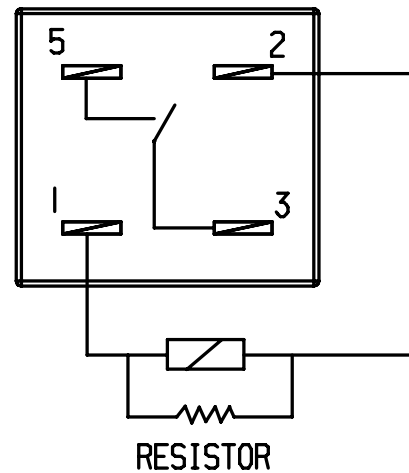
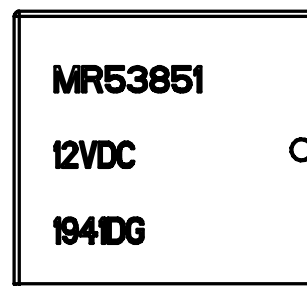
Sheet 1 of 4

**HARNESS, REAR BOX**

B 1 7 1 6 1 5 1 4 1 3 1 2 1 1



RATINGS/SPECIFICATIONS	
TERMINAL TYPE	PLUG IN 280
CONTACT FORM	SPST
RATED VOLTAGE	12VDC
OPERATING VOLTAGE	10-16 VDC
RESISTOR	1.1k
OPERATING AMBIENT TEMPERATURE	-40°C TO 100°C
COIL RESISTANCE	
PULL IN VOLTAGE	8.0V @ 20°C
DROP-OUT VOLTAGE AT +20°C	7.0V TO 4.0V
MAX. CONTINUOUS CARRY CURRENT (CONTACT DATA)	20A
MAX. CONTINUOUS CARRY CURRENT FLOW TIME (16V AT 80°C)	
OPERATE TIME	10 μS MIN
RELEASE TIME	10 μS MIN
MECHANICAL LIFE	1,000,000 OPERATIONS
ELECTRICAL LIFE (RESISTIVE LOAD)	100,000 OPERATIONS
CONTACT VOLTAGE DROP (INITIAL VALUE AT 23°C)	
MAX. INRUSH CURRENT (L/R=7mS MAX.)	INRUSH 80A STEADY 20A



**Thomas**  
BUILT BUSES

61201817 B

RELAY, SINGLE POLE  
SINGLE THROW

WIRE CKT CODE	COLOR	GAUGE	(FROM) CONNECTOR	FROM PIN NO.	FROM TERMINAL	FROM SEAL	(TO) CONNECTOR	TO PIN NO.	TO TERMINAL	TO SEAL	CIRCUIT DESCRIPTION
102 * 1303	BR	16	J76	25	1060-16-0122	-	S20	2	-	-	MARKER POWER
102 * 1303	BR	16	P58	3	12015869	-	S20	1	-	-	MARKER POWER
102 * 1303	BR	16	P4-C	4	173631-6	-	S20	2	-	-	MARKER POWER
102 * 1303	BR	18	J76	19	1060-16-0122	-	P29	3	173631-6	-	PARKING LP SW SPLY
108A * 1311	PRP-#	16	J76	32	1060-16-0122	-	P29	5	173631-6	-	FOOTWELL LP SPLY
113A * 1318	PRP-#	16	P276	1	170032-5	-	J76	91	1060-16-0122	-	LUGGAGE COMPT LIGHT POWER
116 * 1204	W	18	P6-C	2	173631-6	-	P99	A1	12103881	-	GROUND
116 * 1204	W	18	P6-C	3	173631-6	-	P99	A2	12103881	-	GROUND
116 * 1204	W	18	P6-C	7	173631-6	-	P99	A3	12103881	-	GROUND
122 * 1322	BL	14	P190	D7	12110652	-	J76	100	1060-12-0166	-	ROLL BACK MOD POWER
122 * 1322	BL	18	P190	D6	12110649	-	P22-C	7	173631-6	-	ROLL BACK MOD POWER
129R * 1427	R-W	18	P221	B6	12077411	-	P222	B	12077411	12015323	PARK BRAKE SWITCH
129S * 1427	R-W	18	P222	A	12077411	12015323	P221	D5	12110649	-	PARK BRAKE SWITCH SIGNAL
13 * 1202	W	18	S40	1	-	-	P122	A	0460-202-16141	-	GROUND
13 * 1202	W	18	S40	2	-	-	P145	7	12015869	-	GROUND
13 * 1202	W	18	S40	2	-	-	P6-C	8	173631-6	-	GROUND
13 * 1316	R-W	18	P29-C	2	173631-6	-	P5	2	173631-6	-	STOP
138B * 1801	BL	18	P10-C	5	173631-6	-	P221	D1	12110649	-	NEUTRAL SIGNAL
14 * 1105	R	18	P51	10	12015869	-	P19-C	5	173631-6	-	POWER CTR SPLY
14A * 1106	PK	16	P109	2	12015869	-	P13-C	5	173631-6	-	IGNITION POWER
14A * 1106	PK	18	P60	A	12034046	-	P60	D	12034046	-	IGNITION POWER
14A * 1106	PK	18	P60	A	12034046	-	P16-C	3	173631-6	-	IGNITION POWER
14A * 1106	PK	18	P190	C4	12110649	-	P122	B	0460-202-16141	-	IGNITION POWER
14A * 1106	PK	18	P190	C5	12110649	-	P6-C	6	173631-6	-	IGNITION POWER
148S * 1405	R	14	P190	A9	12110652	-	P190	A1	12129424	-	GAUGE POWER
18 * 1427	R-W	18	P221	C9	12110649	-	J76	17	1060-16-0122	-	LOW AIR PRESSURE SWITCH SIGNAL
18B * 1427	R-W	18	P221	C8	12110649	-	J44	1	350218-1	-	INSTRUMENT PANEL
19 * 1512	PK	16	J76	89	1060-16-0122	-	P190	D3	12129424	-	GAUGE POWER
19A * 1526	PK	18	P190	B7	12110649	-	P190	C1	12110844	-	GAUGE POWER
20 * 1301	LTG	16	J76	14	1060-16-0122	-	P45	C	12034046	-	LOW BEAM HEADLIGHT POWER
200 * 1413	PRP	18	P51	9	12015869	-	J76	52	1060-16-0122	-	FAST IDLE IND LP SW SIG
200 * 1413	PRP	18	J76	85	1060-16-0122	-	S13	2	-	-	PTO IND LP SIG
200 * 1413	PRP	18	S13	1	-	-	P39-C	7	173631-6	-	PTO SIGNAL
200 * 1413	PRP	18	S13	2	-	-	P221	D6	12110649	-	PTO SIGNAL
200 * 1413	PRP	18	S13	2	-	-	P28-C	5	173631-6	-	WHEEL CHAIR LIFT DOOR
200J * 1510	PRP	18	P221	B9	12110649	-	J76	90	1060-16-0122	-	PTO SET SPEED B SIGNAL
203 * 1502	R	18	P15-C	1	173631-6	-	P113	2	12015869	-	EXHAUST BRAKE SWITCH POWER
203A * 1502	R-W	18	J76	4	1060-12-0166	-	P20-C	4	173631-6	-	EXHAUST BRAKE SIGNAL
203A * 1502	R-W	18	J76	65	1060-16-0122	-	P38-C	14	173631-6	-	EXHAUST BRAKE SOL SPLY
203D * 1502	R	18	P113	3	12020035	-	P15-C	3	173631-6	-	EXHAUST BRAKE SIGNAL
203D * 1502	R	18	P15-C	2	173631-6	-	P113	3	12020035	-	EXHAUST BRAKE SIGNAL
21 * 1301	LTG	18	S18	1	-	-	P45	B	12034046	-	HEADLIGHT HIGH BEAM
21 * 1301	LTG	18	S18	2	-	-	P38-C	10	173631-6	-	HEADLIGHT HIGH BEAM
21 * 1301	LTG	18	S18	2	-	-	J76	13	1060-16-0122	-	LEFT HEADLIGHT HIGH BEAM
21 * 1301	LTG	16	J76	26	1060-16-0122	-	S18	2	-	-	RT HEAD LIGHT HIGH BEAM
22 * 1301	LTG	18	P59	2	12015869	-	P59	5	12020035	-	HEADLIGHT POWER
22 * 1301	LTG	18	P59	5	12020035	-	P4-C	3	173631-6	-	HEADLIGHT POWER
220 * 1106	PK	16	P203	2	12124517	-	P18-C	4	173631-6	-	ACCESSORY POWER
222F * 1301	LTG	16	P219	A	12047767	-	P217	J	12047767	-	HOLD DIMMER SIG FLASH TO PASS
222L * 1301	LTG	18	P219	C	12047581	-	P217	H	12047767	-	HOLD DIMMER SIG LH TURN
23C * 1315	BR	18	P29-C	3	173631-6	-	P5	3	173631-6	-	TAIL / PARKING LP
24A * 2107	T	18	P39-C	5	173631-6	-	B5-I	1	61201360	-	HORN SWITCH SIGNAL
250 * 1504	GY	18	P53	2	12015869	-	P14-C	1	173631-6	-	CRUISE CONTROL ON /OFF
250 * 1504	GY	18	P54	2	12020035	-	P17-C	3	173631-6	-	CRUISE CONTROL SET/RES SW SPLY
26 * 2107	T	16	J76	28	1060-16-0122	-	P20-C	1	173631-6	-	HORN SIGNAL
262B * 1805	R-W	18	P21-C	2	173631-6	-	S14	1	-	-	RETARDER ENABLE RETURN
262B * 1805	R-W	18	S14	1	-	-	J76	96	1060-12-0166	-	RETARDER ENABLE RETURN
262B * 1805	R-W	18	S14	2	-	-	P58	3	12015869	-	RETARDER ENABLE RETURN

WIRE CKT CODE	COLOR	GAUGE	(FROM) CONNECTOR	FROM PIN NO.	FROM TERMINAL	FROM SEAL	(TO) CONNECTOR	TO PIN NO.	TO TERMINAL	TO SEAL	CIRCUIT DESCRIPTION
262B * 1805	R-W	18	P10-C	1	173631-6	-	J75	56	1060-20-0122	-	RETARDER IN USE
262B * 1805	R-W	18	P22-C	6	173631-6	-	J76	30	1060-16-0122	-	BRAKE SWITCH SIGNAL RETURN
262K * 1805	R-W	18	P22-C	3	173631-6	-	J76	29	1060-16-0122	-	BRAKE SWITCH SIGNAL
278 * 2102	PRP-#	16	J76	50	1060-16-0122	-	P196	2	173631-6	-	WIPER CTRL SW SPLY
278A * 2102	PRP-#	16	J76	51	1060-16-0122	-	P196	1	173631-6	-	WIPER MOTOR PARK SPLY
278B * 2102	PRP-#	16	J76	57	1060-16-0122	-	P196	6	173631-6	-	WIPER MOTOR LO SPEED SPLY
278C * 2102	PRP-#	16	J76	56	1060-16-0122	-	P196	12	173631-6	-	WIPER MOTOR HIGH SPEED SPLY
278 * 2102	PRP-#	16	J76	40	1060-16-0122	-	P196	9	173631-6	-	WIPER CTRL SW SPLY
278A * 2102	PRP-#	16	J76	39	1060-16-0122	-	P196	5	173631-6	-	WIPER MOTOR PARK SPLY
278B * 2102	PRP-#	16	J76	44	1060-16-0122	-	P196	7	173631-6	-	WIPER MOTOR LO SPEED SPLY
278C * 2102	PRP-#	16	J76	45	1060-16-0122	-	P196	11	173631-6	-	WIPER MOTOR HIGH SPEED SPLY
286 * 1402	PK-W	18	P39-C	1	173631-6	-	J76	92	1060-16-0122	-	WATER IN FUEL LAMP GND
294 * 1706	R-W	14	J76	99	1060-12-0166	-	S23	2	-	-	AIR TANK #1 DRAIN
294 * 1706	R-W	14	J76	98	1060-12-0166	-	S23	2	-	-	AIR TANK #2 DRAIN
294B * 1706	R-W	14	S23	1	-	-	P190	B3	12129424	-	AIR TANK DRAIN
29A * 1304	BR	18	P21-C	1	173631-6	-	P58	8	12015869	-	DIMMER POWER
29A * 1304	BR	18	S39	1	-	-	P145	8	12015869	-	DIMMER SPLY
29A * 1304	BR	18	S39	2	-	-	P6-C	10	173631-6	-	DIMMER SPLY
29A * 1304	BR	18	T11	1	61201359	-	S39	1	-	-	DIMMER SPLY
29A * 1304	BR	18	P51	8	12015869	-	P19-C	4	173631-6	-	LAMP POWER
29A * 1304	BR	18	P52	8	12015869	-	P3-C	12	173631-6	-	LAMP POWER
29A * 1304	BR	18	P113	8	12015869	-	P39-C	12	173631-6	-	LAMP POWER
29A * 1304	BR	18	P14-C	3	173631-6	-	P53	8	12015869	-	LAMP POWER
29A * 1304	BR	18	P17-C	4	173631-6	-	P54	8	12015869	-	LAMP POWER
29A * 1304	BR	18	P29-C	5	173631-6	-	S33	1	-	-	PANEL LAMP SPLY
29A * 1304	BR	18	S33	2	-	-	P5	5	173631-6	-	PANEL LAMP SPLY
29C * 1304	BR	18	P60	C	12034046	-	T6	1	61201312	-	DIMMER CTRL SPLY
29C * 1304	BR	18	P16-C	1	173631-6	-	T6	1	61201312	-	DIMMER CTRL SPLY
29C * 1304	BR	18	P4-C	5	173631-6	-	P59	8	12015869	-	DIMMER POWER
29D * 1303	BR	18	P11-C	3	173631-6	-	T12	1	61201359	-	-
29D * 1303	BR	18	P51	7	12015869	-	P19-C	2	173631-6	-	LAMP GROUND
29D * 1303	BR	18	P52	7	12015869	-	P3-C	6	173631-6	-	LAMP GROUND
29D * 1303	BR	18	P53	7	12015869	-	P14-C	2	173631-6	-	LAMP GROUND
29D * 1303	BR	18	P54	7	12015869	-	P17-C	1	173631-6	-	LAMP GROUND
29D * 1303	W	18	P60	B	12034046	-	P60	F	12034046	-	LAMP GROUND
29D * 1303	W	18	P60	B	12034046	-	P16-C	2	173631-6	-	LAMP GROUND
29D * 1303	BR	18	P113	7	12015869	-	P39-C	15	173631-6	-	LAMP GROUND
29D * 1304	GY	18	P21-C	3	173631-6	-	P58	7	12015869	-	DIMMER GROUND
29H * 1405	LTG	18	P4-C	7	173631-6	-	T5	1	61201357	-	HEADLIGHT/MARKER ALARM POWER
30 * 1405	LTBLW	18	J76	87	1060-16-0122	-	J44	2	350218-1	-	TRANS TEMP SIGNAL
305 * 1106	PK	16	P46	A	12047767	-	S31	2	-	-	IGN ACC SPLY
305 * 1106	PK	16	S31	2	-	-	P16	1	173631-6	-	IGN ACC SPLY
305 * 1106	PK	18	P196	3	173631-6	-	S31	1	-	-	IGN ACC SPLY
306 * 1102	PK	16	P203	3	12124517	-	P18-C	6	173631-6	-	IGNITION/RUN SIGNAL
307 * 1301	LTG	16	P43	H	12047767	-	S15	1	-	-	HEADLAMP POWER
307 * 1301	LTG	16	P4-C	2	173631-6	-	S15	2	-	-	HEADLAMP POWER
307 * 1301	LTG	16	S15	1	-	-	P43	J	12047767	-	HEADLAMP POWER
307 * 1301	LTG	16	S15	2	-	-	P45	D	12034046	-	HEADLAMP POWER
307 * 1301	LTG	16	S15	2	-	-	P59	6	12015869	-	HEADLAMP POWER
308 * 1707	R-W	18	P39-C	4	173631-6	-	P43	C	12047767	-	PARK BRAKE INPUT
308 * 1405	LTBLW	18	J76	88	1060-16-0122	-	J44	5	350218-1	-	TRANSMISSION TEMP SENDER GROUND
315A * 2102	DKBL	16	P46	C	12047767	-	P196	4	173631-6	-	WIPER PARK SW SPLY
315B * 2102	DKBL	16	P46	J	12047767	-	P196	8	173631-6	-	WIPER MOTOR LOW SPEED SPLY
315C * 2102	DKBL	16	P46	K	12047767	-	P196	10	173631-6	-	WIPER MOTOR HIGH SPEED SPLY
320 * 2102	PRP-#	16	J76	61	1060-16-0122	-	P46	6	12047767	-	WIPER WASH MOT SPLY WSHLD
320A * 2102	DKBL	18	P21B	A	12034047	-	P217	D	12047767	-	WIPER WASH MOTOR SPLY
320B * 2102	DKBL	16	P21B	B	12034047	-	P217	C	12047767	-	WIPER WASH MOTOR SPLY
320C *											

P8	
VENDOR	DEUTSCH
HOUSING	DT06-65
WEDGE	W65
PLUG	114017
CAVITY	CIRCUIT CODE
1	21 * 1301
2	20 * 1301
3	379B * 1317
4	378D * 1317
5	PLUG
6	102 * 1303

P9	
VENDOR	DEUTSCH
HOUSING	DT06-65
WEDGE	W65
PLUG	114017
CAVITY	CIRCUIT CODE
1	21 * 1301
2	20 * 1301
3	379B * 1317
4	378C * 1317
5	PLUG
6	102 * 1303

P18	
VENDOR	PACKARD
HOUSING	12162000
TPA	12052634
PLUG	12059168
CAVITY	CIRCUIT CODE
A	431 * 2204
B	431C * 2204

P23	
VENDOR	PACKARD
HOUSING	12162197
CAVITY	CIRCUIT CODE
A	30 * 1405
B	306 * 1405

J27	
VENDOR	PACKARD
HOUSING	12015797
PLUG	12010300
CAVITY	CIRCUIT CODE
A	PLUG
B	PLUG
C	PLUG
D	PLUG

P27	
VENDOR	PACKARD
HOUSING	12010974
PLUG	12010300
CAVITY	CIRCUIT CODE
A	440L * 1420
B	440W * 1420
C	440W * 1420
D	440N * 1420

P17		
VENDOR	AMP	
HOUSING	776241-1	
ENDBEL	638092-1	
DEUTSCH PLUG	114017	
CAVITY	CIRCUIT CODE	TWISTED
1	PLUG	-
2	440W * 1420	-
3	PLUG	-
4	440P+ * 1506	-
5	440G * 1205	-
6	PLUG	-
7	PLUG	-
8	J1587+ * 1601	WITH CAVITY 9
9	J1587- * 1601	WITH CAVITY 8
10	PLUG	-
11	440Z * 2202	-
12	203A * 1502	-
13	C857 * 1512	-
14	PLUG	-
15	PLUG	-
16	PLUG	-
17	PLUG	-
18	440W * 1420	-
19	PLUG	-
20	PLUG	-
21	PLUG	-
22	PLUG	-
23	220J * 1510	-
24	PLUG	-
25	PLUG	-
26	PLUG	-
27	PLUG	-
28	440A * 1512	-
29	440S * 1512	-
30	PLUG	-
31	200 * 1413	-
32	PLUG	-
33	PLUG	-
34	J1939- * 1603	WITH CAVITY 50
35	440E * 1508	-
36	PLUG	-
37	PLUG	-
38	PLUG	-
39	PLUG	-
40	200 * 1413	-
41	PLUG	-
42	J1939S * 1603	-
43	PLUG	-
44	440F * 1508	-
45	440B * 1511	-
46	439J * 1512	-
47	PLUG	-
48	6 * 1107	-
49	440N * 1420	-
50	J1939+ * 1603	WITH CAVITY 34
51	PLUG	-
52	6 * 1107	-
53	6 * 1107	-
54	440L * 1420	-
55	6 * 1107	-
56	200 * 1413	-
57	PLUG	-
58	PLUG	-
59	440D * 1504	-
60	PLUG	-
61	PLUG	-
62	E031B * 1803	-
63	1 * 1202	-
64	PLUG	-
65	1 * 1202	-
66	440P- * 1506	-
67	1 * 1202	-
68	PLUG	-
69	1 * 1202	-
70	439A * 1512	-

P76		
VENDOR	DEUTSCH	
HOUSING	DRB16-1025AE-L018	
WEDGE	WB-51SAL	
WEDGE	WB-51SAR	
PLUG	114017	
PLUG	114018	
PLUG	114019	
CAVITY	CIRCUIT CODE	TWISTED
1	98K3 * 2302	-
2	PLUG	-
3	PLUG	-
4	203A * 1502	-
5	PLUG/ HOLD FOR OPTION	B2364-XX-000
6	PLUG/ HOLD FOR OPTION	C4403-03-000
7	406E * 1323	-
8	406D * 1323	-
9	J1587- * 1601	WITH CAVITY 10
10	J1587+ * 1601	WITH CAVITY 9
11	PLUG/ HOLD FOR OPTION	C1148-XX-000
12	PLUG	-
13	21 * 1301	-
14	20 * 1301	-
15	379B * 1317	-
16	379D * 1317	-
17	1B * 1427	-
18	PLUG/ HOLD FOR OPTION	C6038-03-000
19	102 * 1303	-
20	38L * 1313	-
21	431C * 2204	-
22	E031B * 1803	-
23	C857 * 1512	-
24	PLUG	-
25	102 * 1303	-
26	21 * 1301	-
27	379C * 1317	-
28	26 * 2107	-
29	PLUG	-
30	262J * 1805	-
31	38R * 1313	-
32	108A * 1311	-
33	J1939S * 1603	-
34	J1939- * 1603	WITH CAVITY 35
35	J1939+ * 1603	WITH CAVITY 34
36	440S * 1512	-
37	262D * 1805	-
38	52B * 1104	-
39	279A * 2102	-
40	279 * 2102	-
41	342 * 1426	-
42	440A * 1512	-
43	PLUG	-
44	279B * 2102	-
45	279C * 2102	-
46	200 * 1413	-
47	PLUG/ HOLD FOR OPTION	C4403-03-000
48	PLUG	-
49	PLUG	-
50	278 * 2102	-
51	278A * 2102	-
52	200 * 1413	-
53	440P- * 1506	-
54	PLUG	-
55	PLUG	-
56	278C * 2102	-
57	278B * 2102	-
58	440D * 1504	-
59	440F * 1508	-
60	PLUG	-
61	320 * 2102	-
62	342A * 1426	-
63	440E * 1508	-
64	440P+ * 1506	-
65	203A * 1502	-
66	52 * 1104	-
67	E1112 * 1803	-
68	443G * 2017	-
69	443 * 2017	-
70	PLUG/ HOLD FOR OPTION	C1148-XX-000
71	SPARE-1	-
72	440G * 1205	-
73	PLUG/ HOLD FOR OPTION	C6038-03-000

RESERVE FOR OPTION		
74	47 * 1403	-
75	476 * 1403	-
77	E030B * 1803	-
78	440B * 1511	-
79	440G * 1511	-
80	461A * 1803	-
81	PLUG/ HOLD FOR OPTION	C1148-XX-000
82	PLUG/ HOLD FOR OPTION	C1148-XX-000
83	439J * 1512	-
84	440G * 1205	-
85	200 * 1413	-
86	PLUG	-
87	30 * 1405	-
88	306 * 1405	-
89	19 * 1512	-
90	200J * 1510	-
91	113A * 1318	-
92	PLUG	-
93	SPARE-2	-
94	SPARE-3	-
95	SPARE-4	-
96	262B * 1805	-
97	E00B * 1206	-
98	294 * 1706	-
99	294A * 1706	-
100	PLUG/ HOLD FOR OPTION	B2310-04-000
101	SPARE-5	-
102	SPARE-6	-

P78_BLACK	
VENDOR	BUSSMANN
HOUSING	32006-A22
TPA	32006-TP2
PLUG	12010300
CAVITY	CIRCUIT CODE
A	PLUG
B	PLUG
C	431 * 2204
D	52B * 1104
E	439L * 2202
F	52B * 1106
G	PLUG
H	333 * 1705

P78_GRAY	
VENDOR	BUSSMANN
HOUSING	32006-B22
TPA	32006-TP2
PLUG	12010300
CAVITY	CIRCUIT CODE
A	196 * 2201
B	6 * 1107
C	52 * 1102
D	439A * 1512
E	116 * 1204
F	439L+ * 2202
G	GND * 1204
H	PLUG

P80_BLUE	
VENDOR	BUSSMANN
HOUSING	32006-D22
TPA	32006-TP2
PLUG	12010300
CAVITY	CIRCUIT CODE
A	PLUG
B	PLUG
C	PLUG
D	PLUG
E	PLUG
F	GND * 1204
G	41A * 1318
H	PLUG

P81_GREEN	
VENDOR	BUSSMANN
HOUSING	32006-C22
TPA	32006-TP2
PLUG	12010300
CAVITY	CIRCUIT CODE
A	PLUG
B	6 * 1107
C	PLUG
D	6 * 1107
E	6 * 1107
F	PLUG
G	6 * 1107
H	PLUG

P83		
VENDOR	PACKARD	
HOUSING	12065650	
SECONDARY LOCK	12065050	
SECONDARY LOCK	12065050	
PLUG	12010300	
PLUG	12065082	
CAVITY	CIRCUIT CODE	TWISTED
A1	52 * 1102	-
A2	6 * 1107	-
A3	J1587- * 1601	WITH CAVITY B1
B1	J1587+ * 1601	WITH CAVITY A3
B2	PLUG	-
B3	PLUG	-
B4	J1587- * 1601	WITH CAVITY C1
C1	J1587+ * 1601	WITH CAVITY B4
C2	116 * 1204	-
D1	J1939+ * 1603	WITH CAVITY D2
D2	J1939- * 1603	WITH CAVITY D1
D3	J1939S * 1603	-
D4	19 * 1512	-
E1	52B * 1106	-
E2	52 * 1104	-
F1	E030B * 1803	-
F2	41B * 1318	-
G1	41A * 1318	-
G2	SPARE-4	-
G3	367 * 1421	-
G4	PLUG	-
H1	210C * 1101	-
H2	210B * 1101	-
J1	6 * 1107	-
J2	140 * 1105	-
J3	14E * 1105	-
J4	342A * 1426	-
K1	342 * 1426	-
K2	271 * 1417	-
K3	SPARE-1	-

	<b>62204598 B</b>
<b>HARNESSES, EXTERNAL CHASSIS/ENG, CAT C7</b>	

Sheet 3 of 10

8 1 7 1 6 1 5 1 4 1 3 1 2 1 1

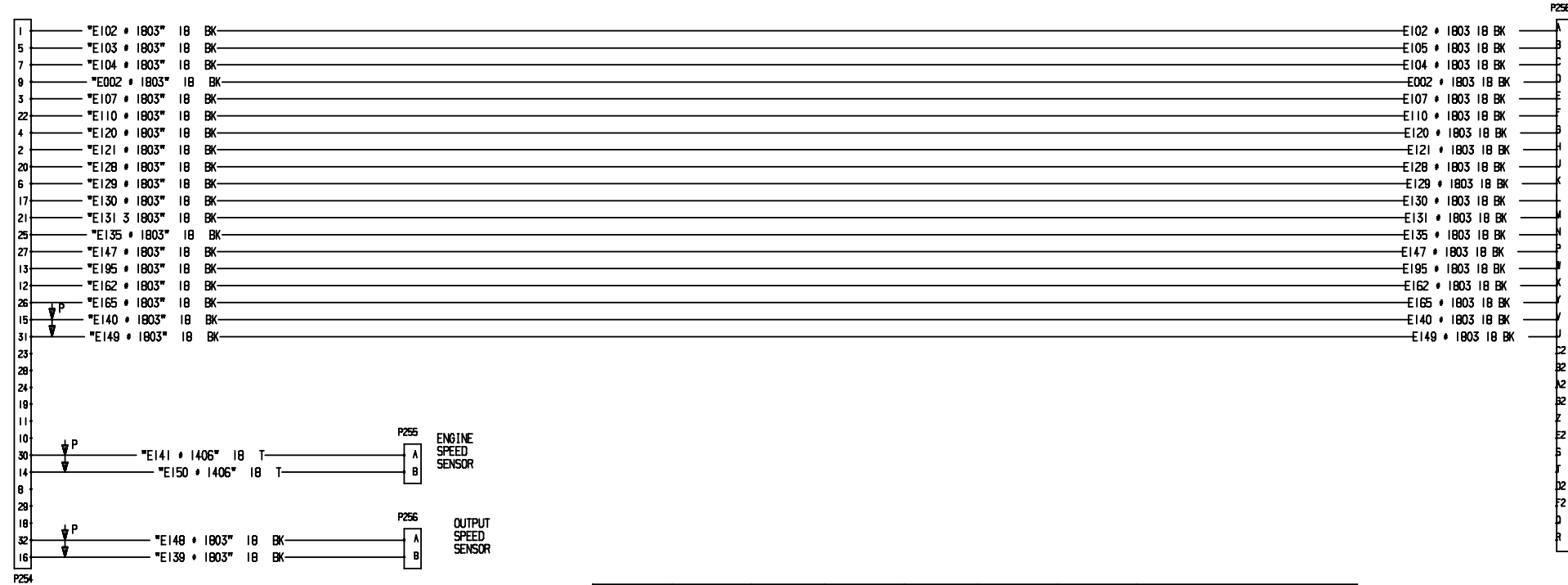
D D

C C

B B

A A

TCU/T  
BLUE



TO  
TRANSMISSION  
HARNESS

WIRE CXT CODE	(FROM) CONNECTOR	FROM PIN NO.	(TO) CONNECTOR	TO PIN NO.	COLOR	GAUGE	CIRCUIT DESCRIPTION
E002 * 1803	P258	D	P254	9	BK	18	SENSOR POWER
E102 * 1803	P258	A	P254	1	BK	18	SOL.D INDID A, D, J SUPPLY
E103 * 1803	P258	B	P254	5	BK	18	SOL. C RETURN
E104 * 1803	P258	C	P254	7	BK	18	SOL. G RETURN
E107 * 1803	P258	E	P254	3	BK	18	SOL. F SUPPLY
E110 * 1803	P258	F	P254	22	BK	18	SOL. F RETURN
E120 * 1803	P258	G	P254	4	BK	18	SOL. A RETURN
E121 * 1803	P258	H	P254	2	BK	18	SOL. B, E SUPPLY
E128 * 1803	P258	J	P254	20	BK	18	SOL. B RETURN
E129 * 1803	P258	K	P254	6	BK	18	SOL. E RETURN
E130 * 1803	P258	L	P254	17	BK	18	SOL. C, G SUPPLY
E131 3 1803	P258	M	P254	21	BK	18	SOL. D RETURN
E135 * 1803	P258	N	P254	25	BK	18	THROTTLE POSITION SENSOR
E139 * 1803	P256	B	P254	16	BK	18	OUTPUT SPEED SENSOR
E147 * 1803	P258	P	P254	27	BK	18	SUMP TEMP SIGNAL
E162 * 1803	P258	X	P254	12	BK	18	C3 PRESSURE SIGNAL
E165 * 1803	P258	Y	P254	26	BK	18	OIL LEVEL SIGNAL
E195 * 1803	P258	W	P254	13	BK	18	TRANSMISSION ID SIGNAL
E141 * 1406	P254	30	P255	A	T	18	ENGINE SPEED SENSOR
E150 * 1406	P254	14	P255	B	T	18	ENGINE SPEED SENSOR
E148 * 1803	P254	32	P256	A	BK	18	OUTPUT SPEED SENSOR
E140 * 1803	P254	15	P258	V	BK	18	HD ECU TURBINE SPEED SENSOR
E149 * 1803	P254	31	P258	U	BK	18	TRANS ECU TURBINE SPEED SENSOR

REFERENCE HARNESS 62203877

**Thomas**  
BUILT BUSES

**62203876 B**

**DIAGRAM, TRANSMIS-  
SION WIRING TCU/T  
CONN., WTEC III NON  
RETARDER**

CLICK HERE TO **DOWNLOAD** THE COMPLETE MANUAL

- Thank you very much for reading the preview of the manual.
- You can download the complete manual from: [www.heydownloads.com](http://www.heydownloads.com) by clicking the link below



- Please note: If there is no response to CLICKING the link, please download this PDF first and then click on it.

CLICK HERE TO **DOWNLOAD** THE COMPLETE MANUAL