



**1998-1999  
ELECTRICAL WIRING  
MANUAL**

**CL960**

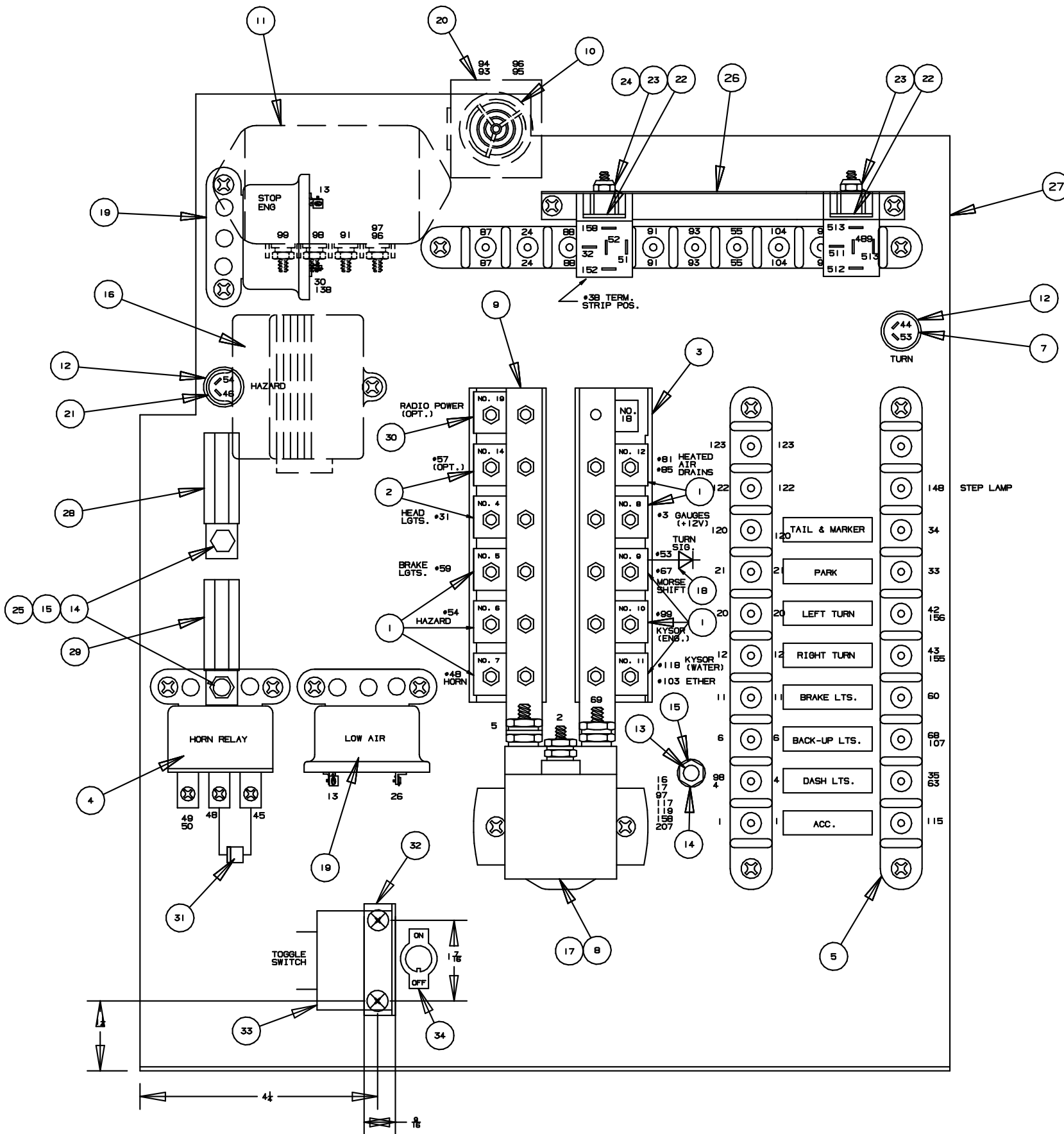
CLICK HERE TO **DOWNLOAD** THE COMPLETE MANUAL

- Thank you very much for reading the preview of the manual.
- You can download the complete manual from: [www.heydownloads.com](http://www.heydownloads.com) by clicking the link below



- Please note: If there is no response to CLICKING the link, please download this PDF first and then click on it.

CLICK HERE TO **DOWNLOAD** THE COMPLETE MANUAL



ITEM #	PART NUMBER	DESCRIPTION	STD / OPT	QTY
1	61200104	CIRCUIT BREAKER-20 AMPERE		8
2	61200105	CIRCUIT BREAKER-35 AMPERE		2
3	61200845	CIRCUIT BREAKER BRACKET		2
4	61200109	HORN RELAY		1
5	61200129	JUNCTION BLOCK		3
6	61200393	KYSOR COOLANT LEVEL ALARM MODULE (NOT SHOWN)	C2607 OPT	1
7	61200413	FLASHER-12 VOLT #552 (TURN SIGNAL)		1
8	61200411	ESSEX POWER CONTACTOR		1
9	62200727	BUSS BAR		2
10	61230350	WARNING BUZZER-ELECTRONIC	C2605 OPT	1
11	61230341	OVERRIDE MODULE KYSOR	C2605 OPT	1
12	61200414	MOUNTING CLIP-FLASHER		2
13	61370803	GND STUD 1/4-20 x 1		1
14	61370260	LOCK WASHER 1/4		4
15	61370050	NUT 1/4-20		4
16	61201159	SOLID STATE ELECTRONIC FLASHER	B3725 OPT	1
17	62200728	SPACER-CONTACTOR MTG		2
18	62200633	DIODE ASSEMBLY - ANTI FEEDBACK (TURN SIG.)		1
19	61200165	WARNING BUZZER LOW AIR, LO OIL/HI TEMP		2
20	62230531	BRACKET MTG-WARNING BUZZER	C2605 OPT	1
21	61200435	FLASHER-12 VOLT #1052 (HAZARD)		1
22	61200709	RELAY - CONTROL		2
23	61370036	SCREW-MACHINE, TRUSS HEAD, PHILLIPS 8-32-x 5/8		2
24	61370038	NUT-LOCK W/ELASTIC 8-32		2
25	61370802	BOLT-HEX HEAD 1/4 x 20 x 3/4		2
26	62201134	BRACKET-RELAY MOUNTING		1
27	62201122	PANEL-CHASSIS ELECTRICAL SIDE		1
28	61480488	CLAMP-LOOM CUSHIONED 1.5 I.D.		1
29	61480489	CLAMP-LOOM CUSHIONED 1.25 I.D.		1
30	61201056	CIRCUIT BREAKER-30 AMPERE	C3674 OPT	1
31	62201842	DIODE ASSY, HORN RELAY SUPPRESSOR	STD	1
32	62202118	BRACKET, ON/OFF SWITCH	OPT	1
33	61200116	SWITCH, TOGGLE, SPST	OPT	1
34	61201418	PLATE, ON/OFF INDICATOR	OPT	1

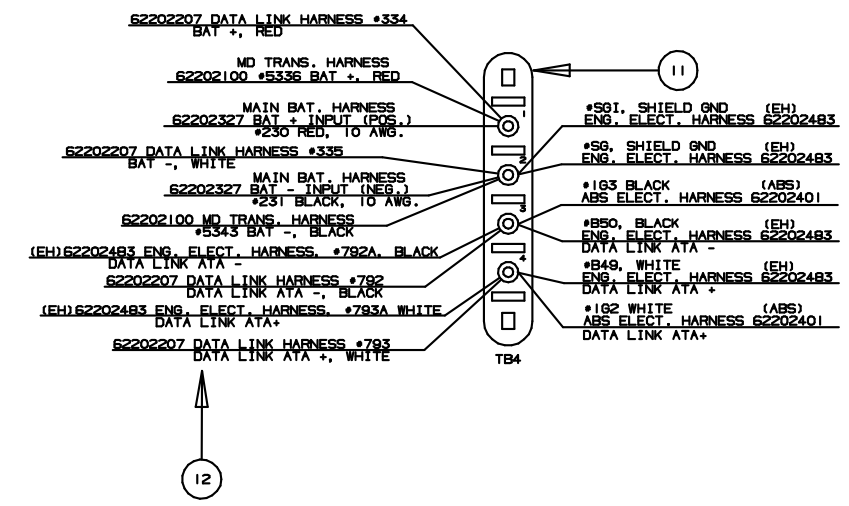
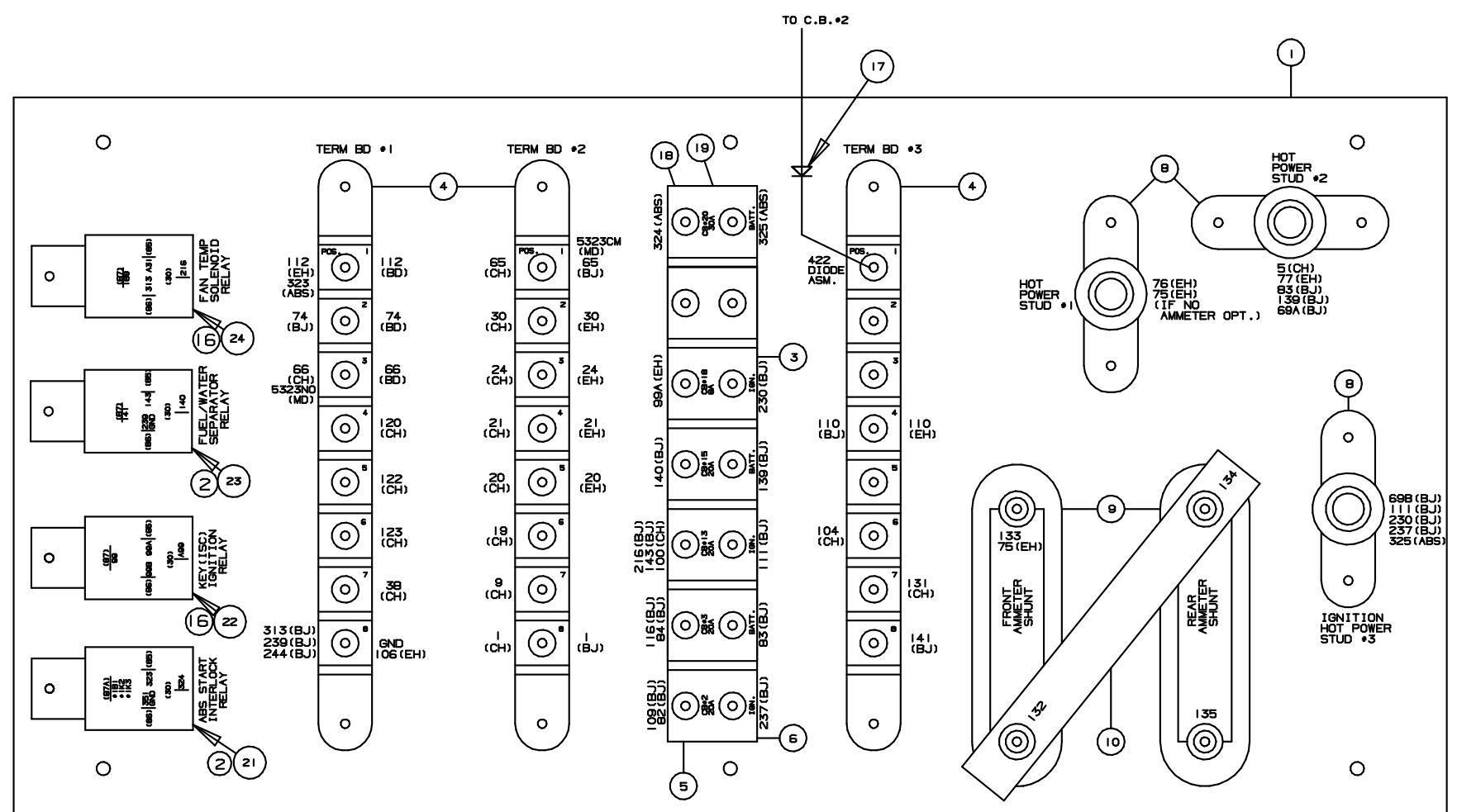
NOTES:  
 1. LOCATE DRILLING TEMPLATE (6220213) IN LOW AIR MOUNTING BRACKET HOLES AND DRILL HOLES FOR REFERRED SWITCH MOUNTING BRACKET.  
 2. AFTER DRILLING, PLACE BRACKET IN LOCATIONS SHOWN USING STANDARD MOUNTING HARDWARE.

USED ON
TL960

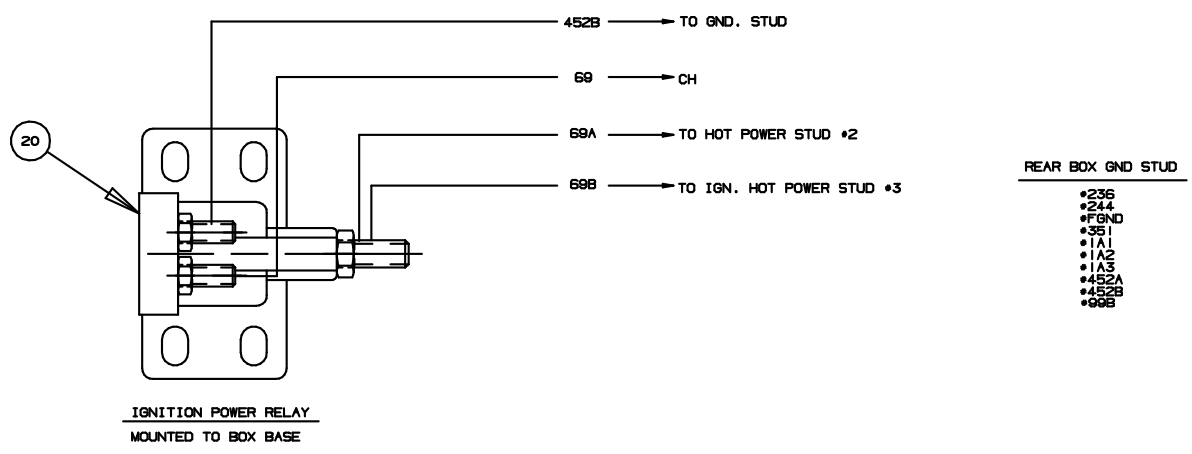


ELECT. COMPONENT MOUNTING, SIDE PANEL (CHASSIS)

ITEM	QTY.	PART NO.	DESCRIPTION
1	1	62201061	PANEL-INNER, ELECT. MODULAR REAR ELECT. BOX
2	2	61200709	RELAY - CONTROL, SPDT
3	1	61201180	BREAKER-CIRCUIT, 8 AMP
4	3	61200130	BLOCK-JUNCTION U.S.D. *C4559-8
5	1	61200845	BRACKET-CIRCUIT BREAKER (6 POS.)
6	5	61200104	BREAKER-CIRCUIT, 20 AMP
7		61200105	BREAKER-CIRCUIT, 35 AMP
8	3	61200463	STUD-ELECTRICAL MTG.
9	2	61200728	SHUNT-150 AMP, 50 MILLIVOLT
10	1	62200996	BUSS-BAR, AMMETER SHUNT
11	1	61200938	TERMINAL BD. - 4 POS. (BAT PWR)
12	1	62202207	HARNES, DATA LINK
13	1	62202087	BRACKET, MTG - DATA LINK PLUG (NOT SHOWN)
14	4	61370026	SCREW, MACHINE - #4 - 40 x 3/8 (NOT SHOWN)
15	4	61370027	LOCKNUT - #4 - 40 (NOT SHOWN)
16	2	61201114	RELAY - CONTROL, SPDT, SUPPRESSED
17	1	62210084	DIODE ASM., ALTERNATOR (OPT.)
18	1	61201056	BREAKER - CIRCUIT, 30 AMP
19	1	61201387	BRACKET - CIRCUIT BREAKER (2 POS.)
20	1	61200411	RELAY - IGNITION POWER
21	1	62202698	RELAY LABEL, ABS START INTERLOCK
22	1	62202698	RELAY LABEL, KEY (ISC) IGNITION
23	1	62202680	RELAY LABEL, FUEL/WATER SEPARATOR
24	1	62202678	RELAY LABEL, FAN TEMP. SOLENOID

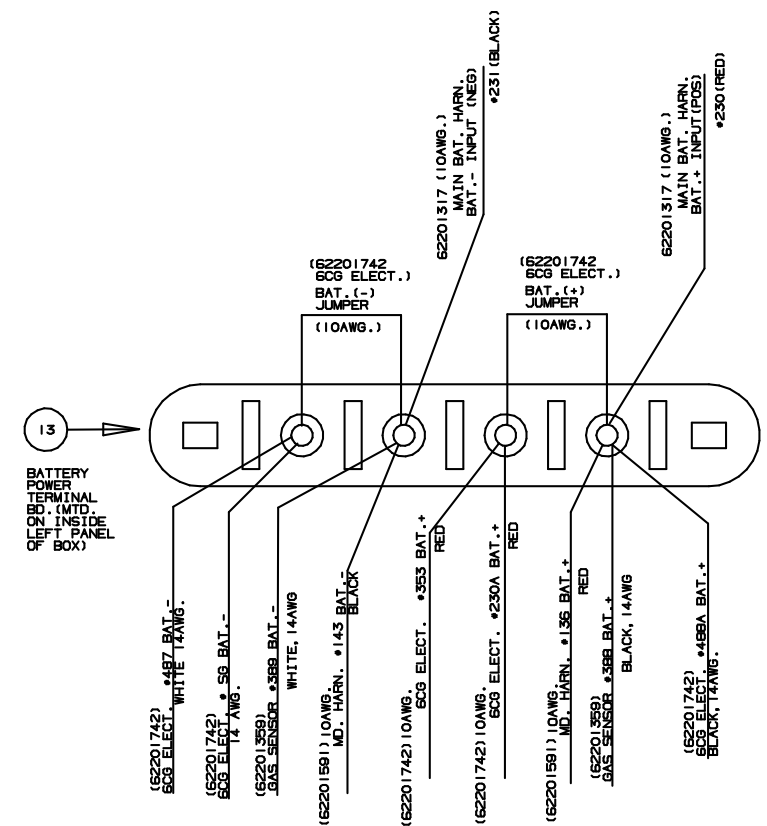
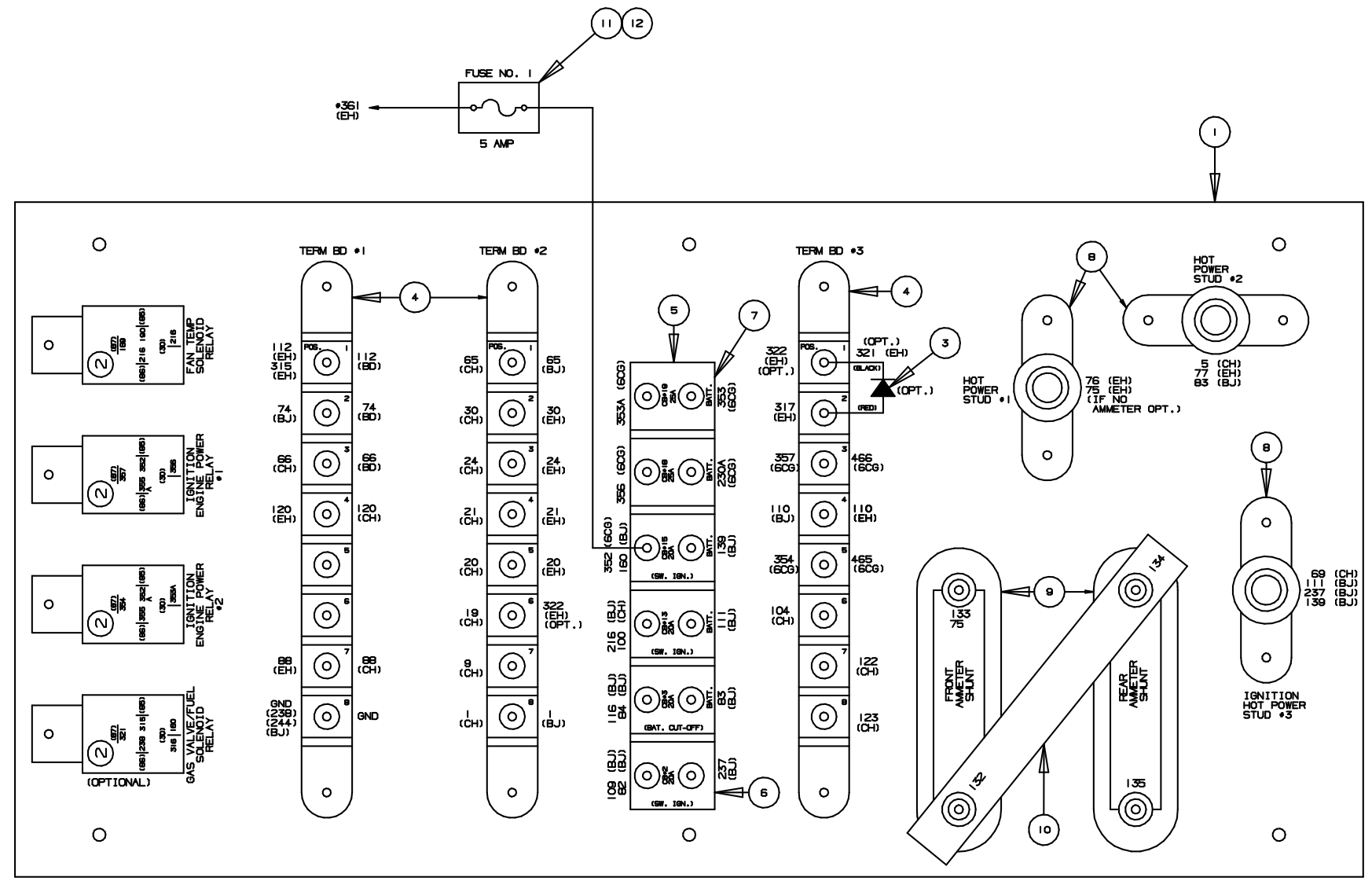


LEGEND:  
 (CH) - CENTER HARNESS  
 (BD) - BODY DROP-OUT OF REAR BOX  
 (EH) - ENGINE HARNESS  
 (BJ) - REAR BOX JUMPER  
 (MD) - WTEC 111 TRANS.  
 (ABS) - ANTILOCK HARNESS

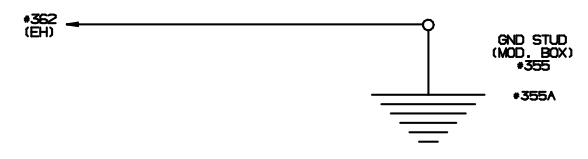


<b>Thomas</b> BUILT TO SPEC	<b>62202625 C</b>
ELECT. DIAGRAM MOD. BOX COMPON. MTG. CUMMINS ISC (CHASSIS)	
End Date: 08/12/98	

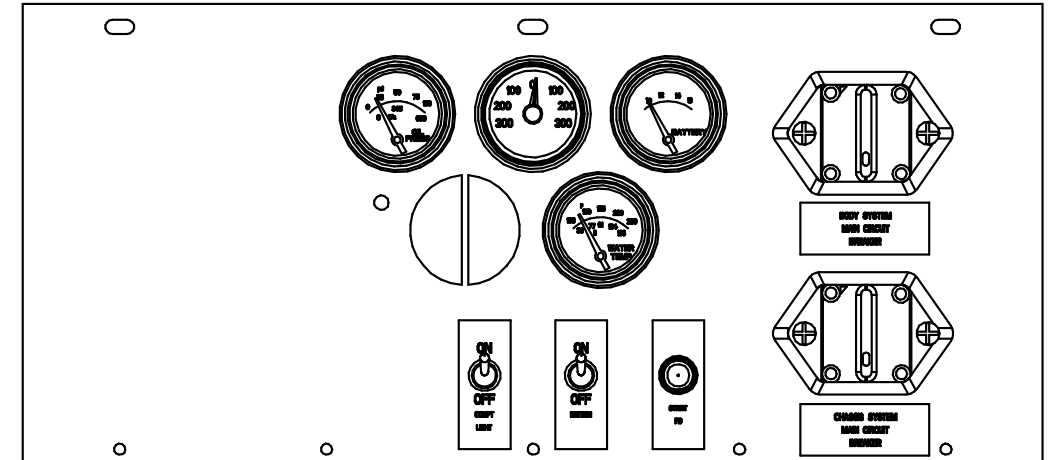
QTY.	PART NO.	DESCRIPTION	ITEM
1	62201061	PANEL - INNER, ELECT. MODULAR REAR ELECT. BOX	1
3	61200708	RELAY - CONTROL SPDT 40A	2
1	62201240	DIODE ASM. - ANTI-FEEDBACK (CNG ENGINE)	3
3	61200130	BLOCK - JUNCTION U.S.D. #C4559-B	4
1	61200845	BRACKET - CIRCUIT BREAKER (6 POS.)	5
4	61200104	BREAKER - CIRCUIT, 20 AMP	6
2	61201127	BREAKER - CIRCUIT, 25 AMP	7
3	61200463	STUD - ELECTRICAL MTG.	8
2	61200728	SHUNT - 150 AMP, 50 MILLIVOLT	9
1	62200986	BUSS - BAR, AMMETER SHUNT	10
1	61200316	FUSEHOLDER - IN-LINE	11
1	61200343	FUSE - 5 AMP	12
1	61200938	TERMINAL BD., 4 POS.	13



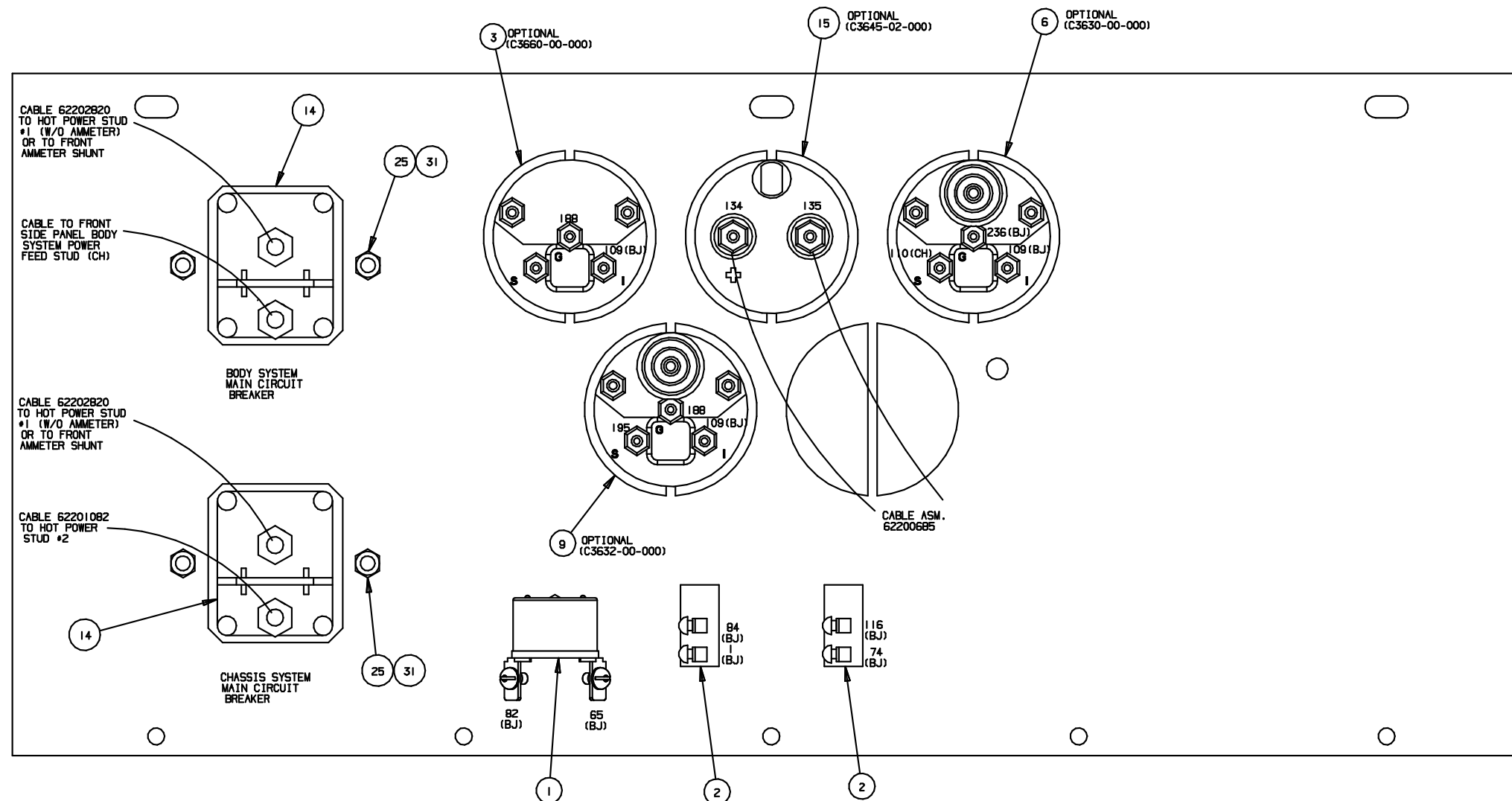
LEGEND:  
 (CH) - CENTER HARNESS  
 (BD) - BODY DROP-OUT OF REAR BOX  
 (EH) - ENGINE HARNESS (CNG) BASIC  
 (BU) - REAR BOX JUMPER  
 (OPT.) - C3369-00-000 HIGH PRESS. SHUT OFF VALVE  
 (ECG) - 60G ENGINE ELECTRONIC HARNESS



<b>Thomas</b> BUILT TO SPEC	<b>62201731 C</b>
ELECT. DIAGRAM MOD. BOX INNER PANEL COM- PON. MTG. CUMMINS 6CG (CHASSIS) End Date: 02/23/98	



FRONT OF PANEL  
SCALE 1/2



LEGEND:

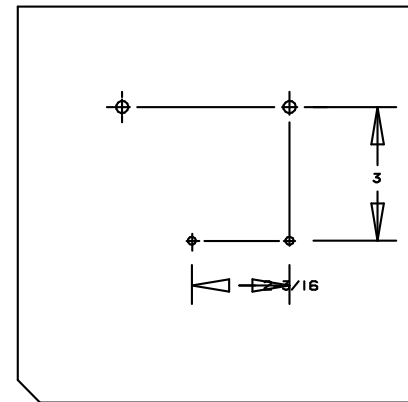
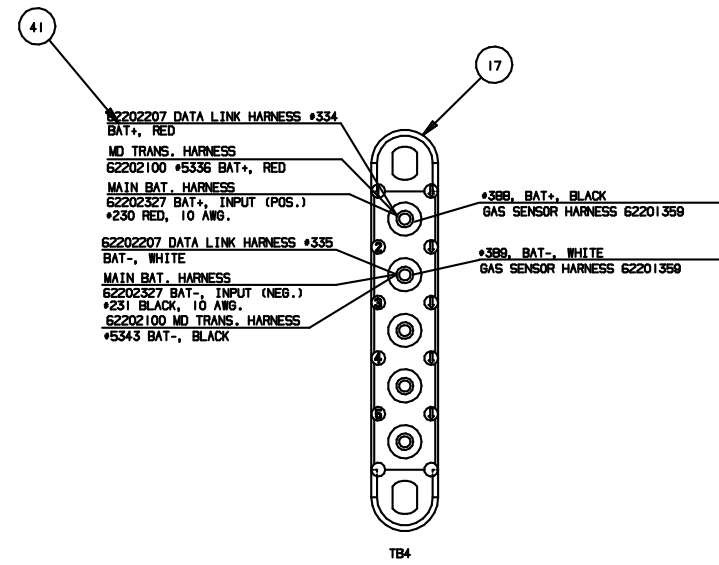
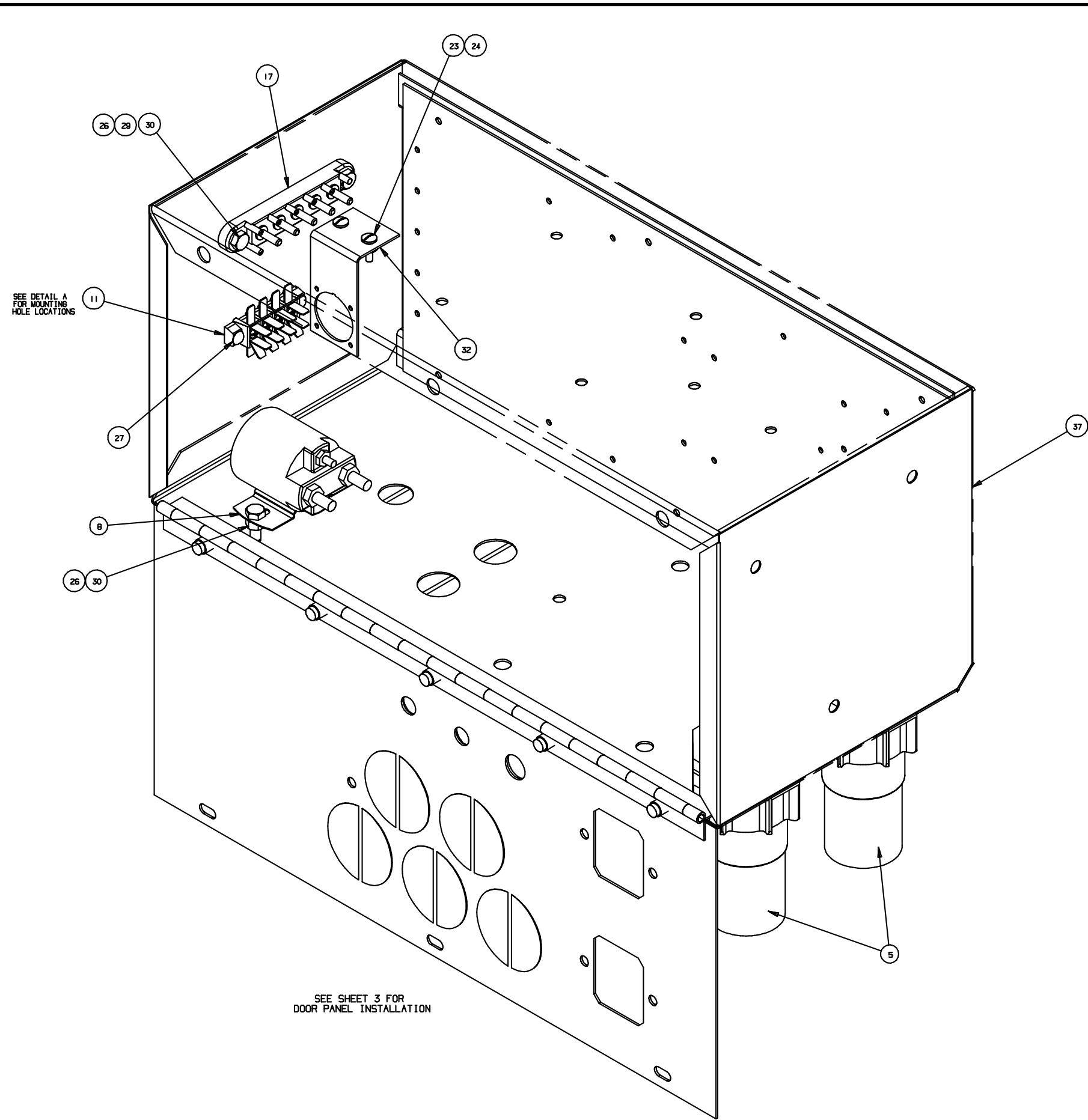
- (CH) - CENTER HARNESS
- (BD) - BODY DROP-OUT OF REAR BOX
- (EH) - ENGINE HARNESS
- (B.J.) - REAR BOX JUMPER
- (WD) - WTEC III TRANS
- (ABS) - ANTILOCK BRAKES
- (FAN) - FAN CONTROL HARNESS

NOTE:

1) SEE DRAWING 62201070 FOR POWER CABLE WIRING SCHEMATIC

 <b>Thomas</b> BUILT BUSES	<b>62202875 A</b>
----------------------------------	-------------------

ELECT. DIAGRAM MOD.  
BOX COMPON. MTG. H.O.  
ALTERNATOR, CUMMINS  
6CG CNG (CHASSIS)  
Effective Date: 03/09/99



DETAIL A  
 SCALE 1/2  
 DRILL 2 HOLES IN  
 LOCATIONS SHOWN.

**NOTE:**  
 1) SEE DRAWING 62201251 FOR  
 CNG GAS MONITOR/SENSOR  
 SYSTEM INSTALLATION.

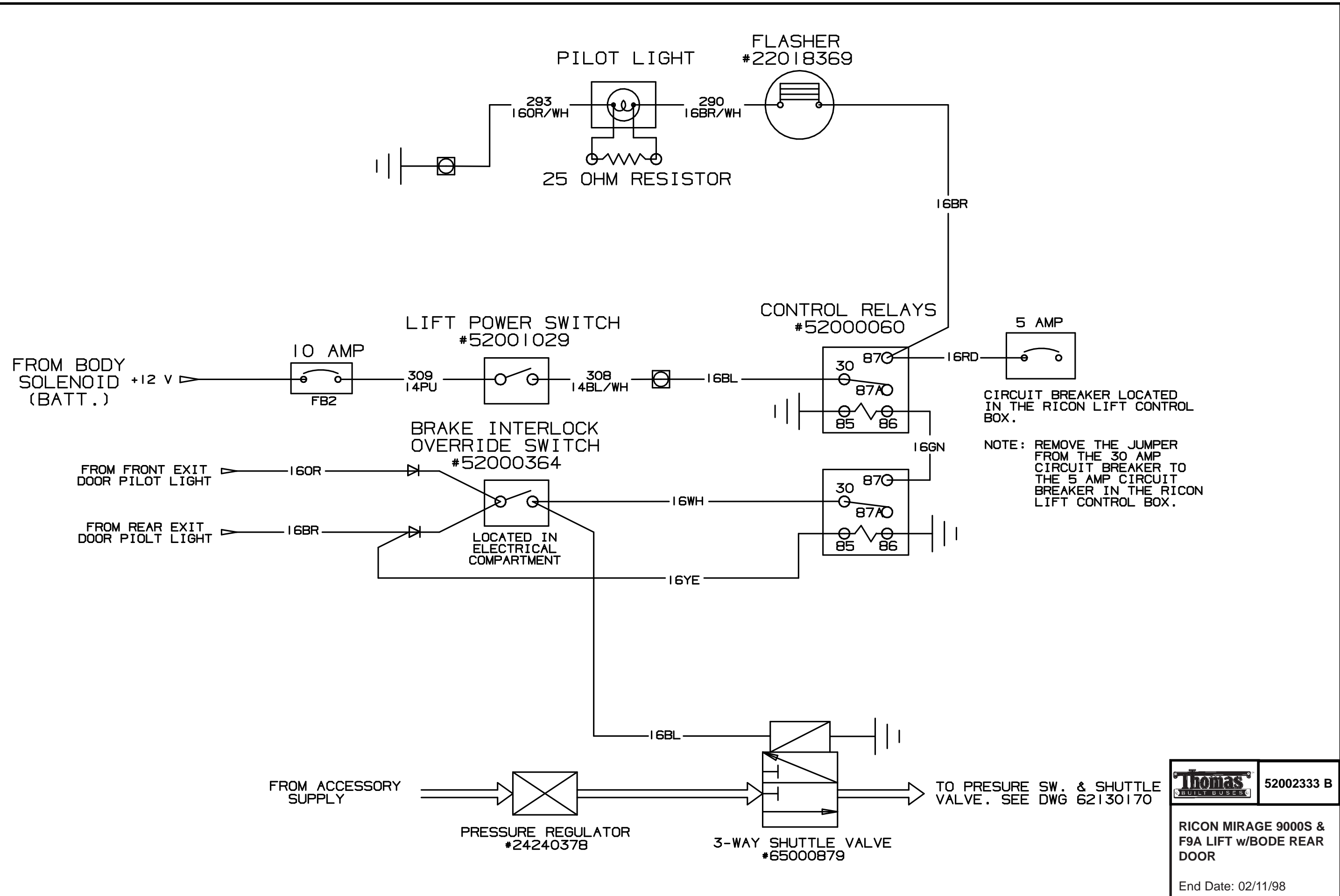
**LEGEND:**  
 (CH) - CENTER HARNESS  
 (BD) - BODY DROP-OUT OF REAR BOX  
 (EH) - ENGINE HARNESS  
 (BJ) - REAR BOX JUMPER  
 (MD) - WTEC III TRANS.  
 (ABS) - ANTILOCK HARNESS  
 (FAN) - FAN CONTROL HARNESS

 <b>Thomas</b> <small>BUILT TO LAST</small>	<b>62202876 A</b>
---	-------------------

**ELECT. DIAGRAM MOD.**  
**BOX COMPON. MTG. H.O.**  
**ALTERNATOR CUMMINS**  
**6BG CNG (CHASSIS)**  
 Effective Date: 03/10/99







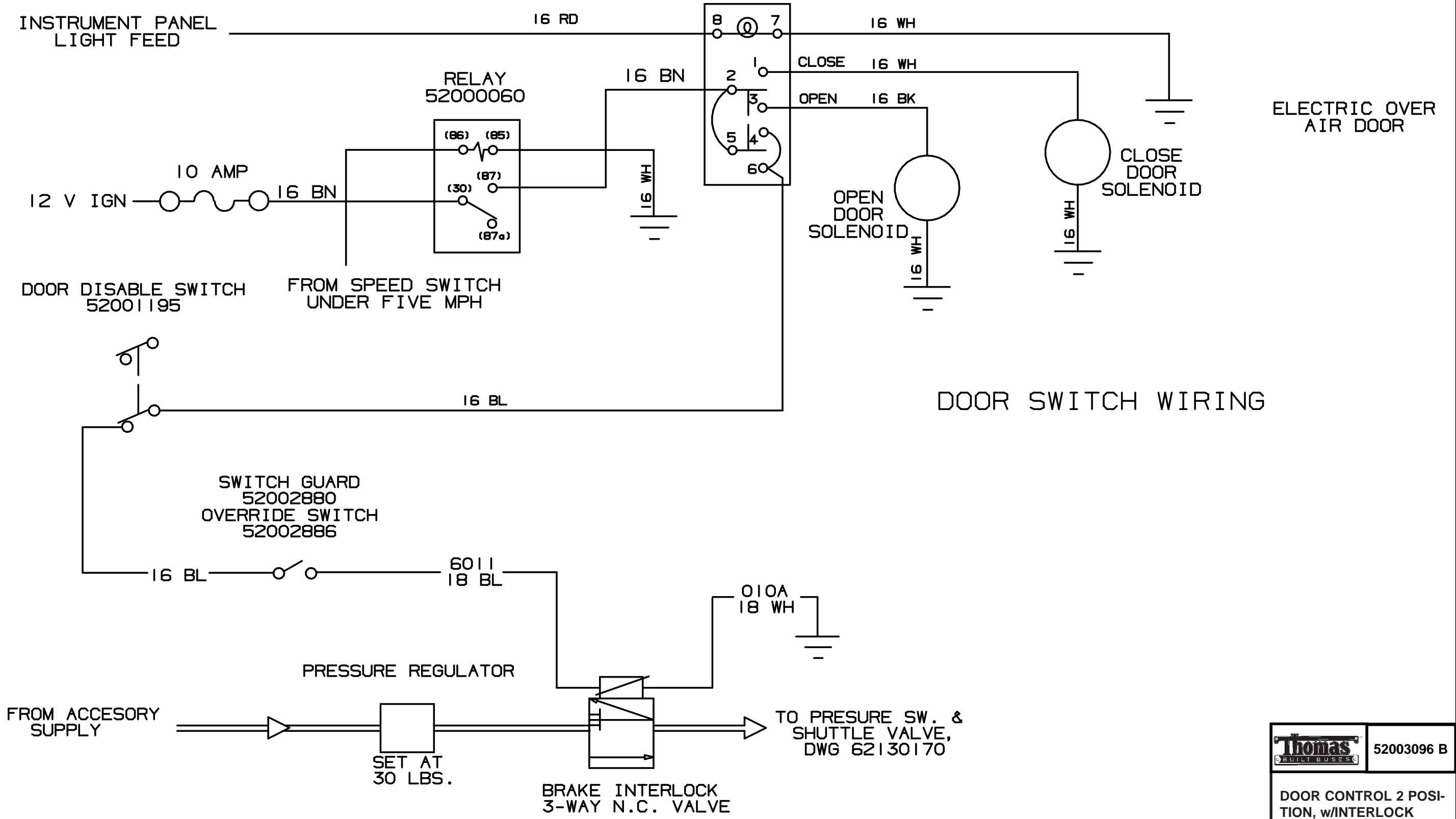
**Thomas**  
BULB BUSES

52002333 B

RICON MIRAGE 9000S & F9A LIFT w/BODE REAR DOOR

End Date: 02/11/98

DOOR SWITCH  
52003070



DOOR SWITCH WIRING

ELECTRIC OVER  
AIR DOOR

	52003096 B
DOOR CONTROL 2 POSI- TION, w/INTERLOCK	
Option: B5016-21-000	

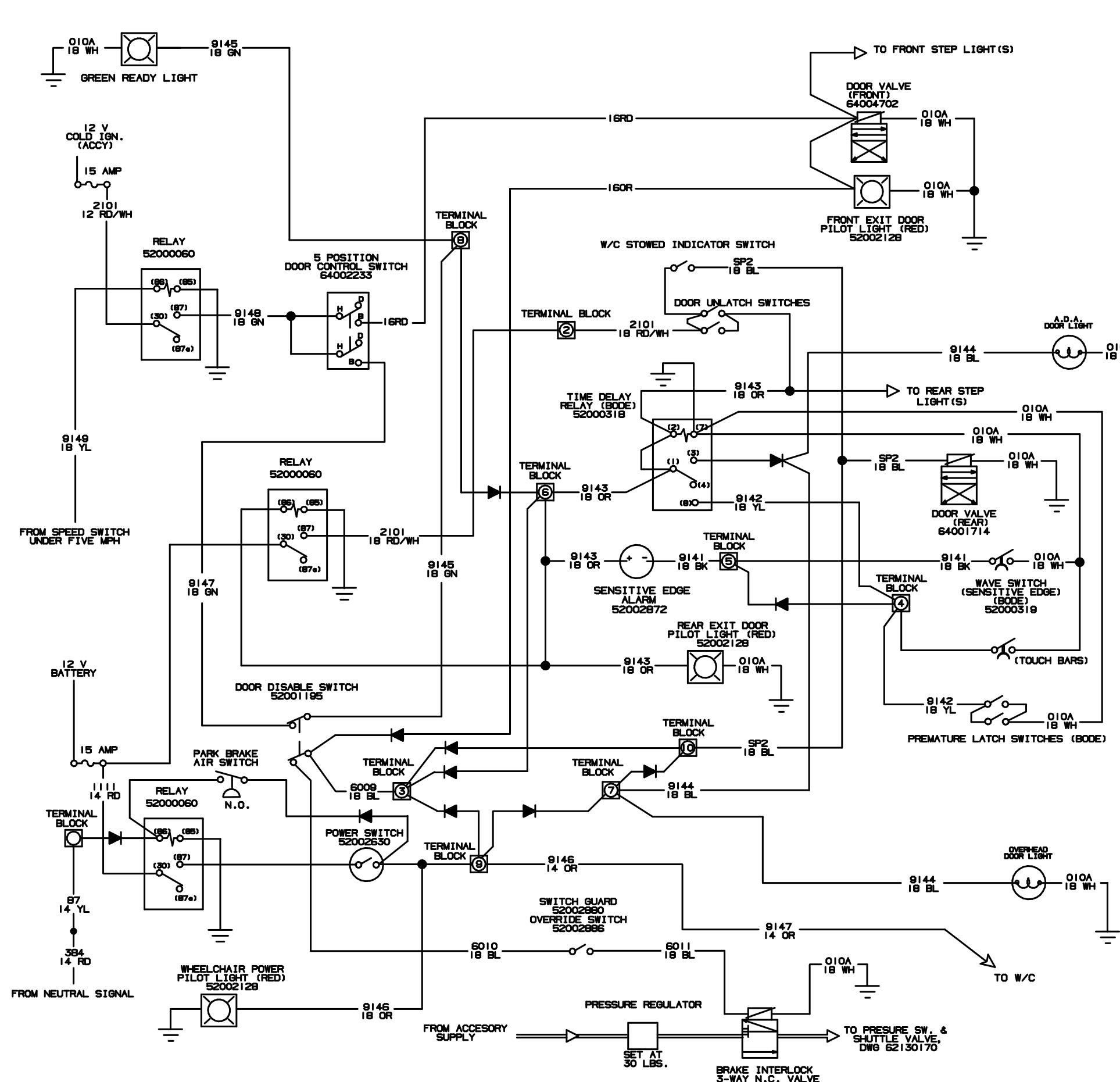
CLICK HERE TO **DOWNLOAD** THE COMPLETE MANUAL

- Thank you very much for reading the preview of the manual.
- You can download the complete manual from: [www.heydownloads.com](http://www.heydownloads.com) by clicking the link below



- Please note: If there is no response to CLICKING the link, please download this PDF first and then click on it.

CLICK HERE TO **DOWNLOAD** THE COMPLETE MANUAL

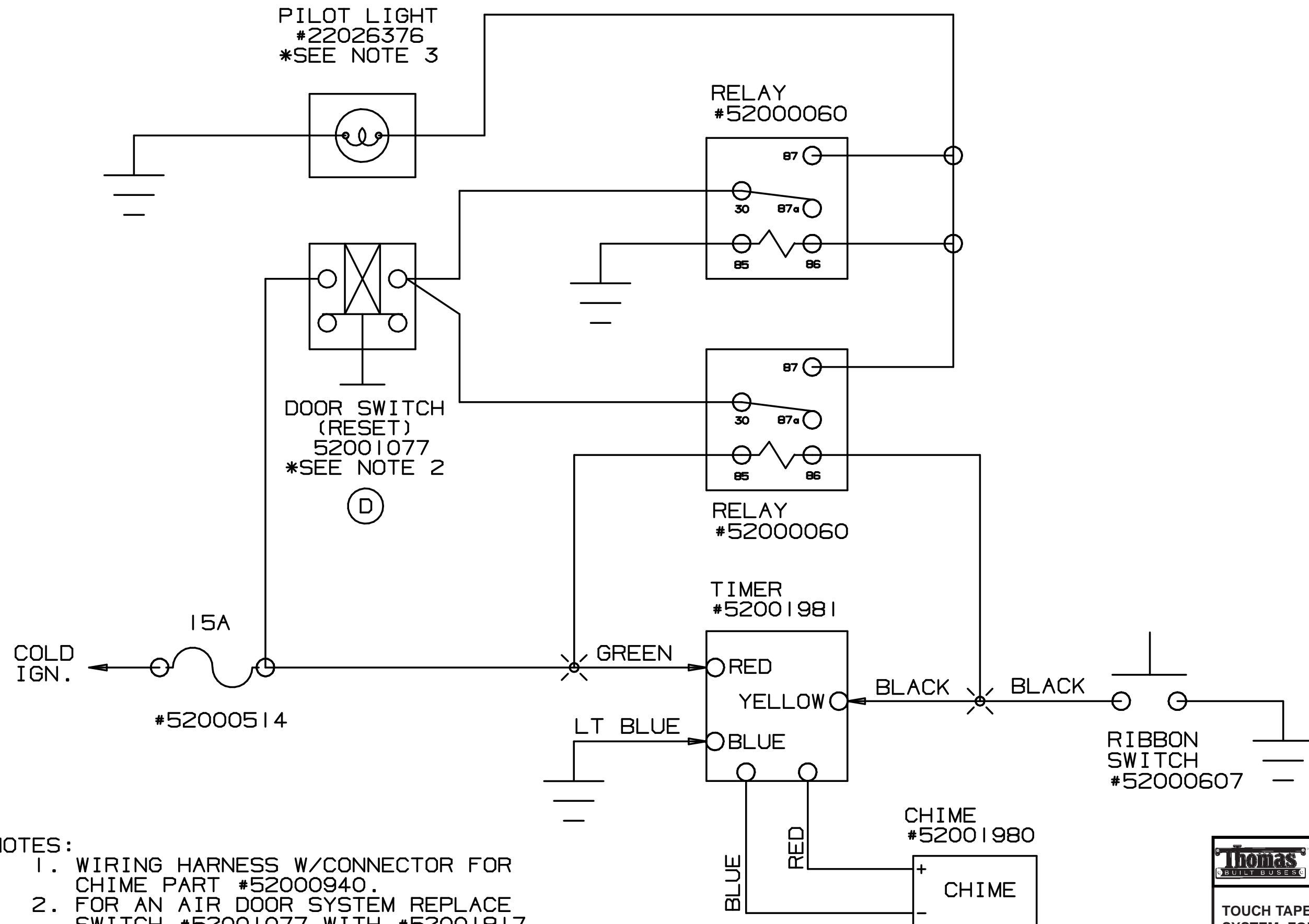


5 POSITION DOOR CONTROL		
	FRONT	REAR
OFF CENTER POS.		
REAR DOOR ONLY (1ST REAR POS.)		
BOTH FRONT & REAR DOOR (2ND REAR POS.)		
FRONT DOOR ONLY (1ST FRONT POS.)		
BOTH FRONT & REAR DOOR (2ND FRONT POS.)		

(5) POSITION DOOR CONTROL W/ TIMER WITH WHEELCHAIR B5016-15-000

	52002992 B
WHEELCHAIR EXIT w/TOUCH BAR AND TIME DELAY, AND BRAKE INTERLOCK (BODE)	

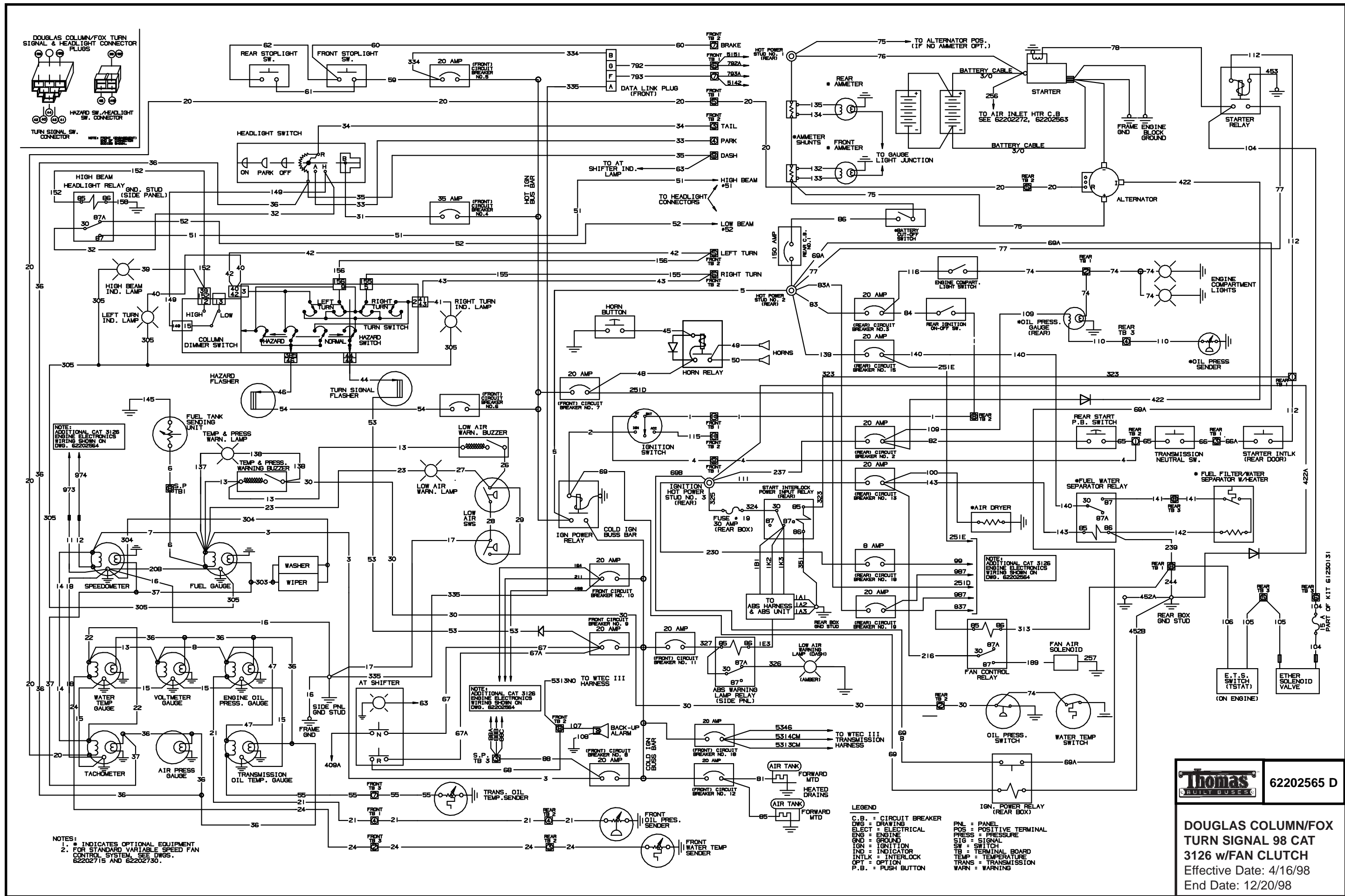
**CL960  
RADIO & SPEAKERS  
SCHEMATICS**



NOTES:

1. WIRING HARNESS W/CONNECTOR FOR CHIME PART #52000940.
2. FOR AN AIR DOOR SYSTEM REPLACE SWITCH #52001077 WITH #52001817.
3. FOR M-BODY USE PILOT LIGHT IN BODY PILOT ASM. #6221000.

<b>Thomas</b> <small>BUILT BUSES</small>	52001843 D
TOUCH TAPE CHIME SYSTEM, FOR ADA STOP REQUEST	

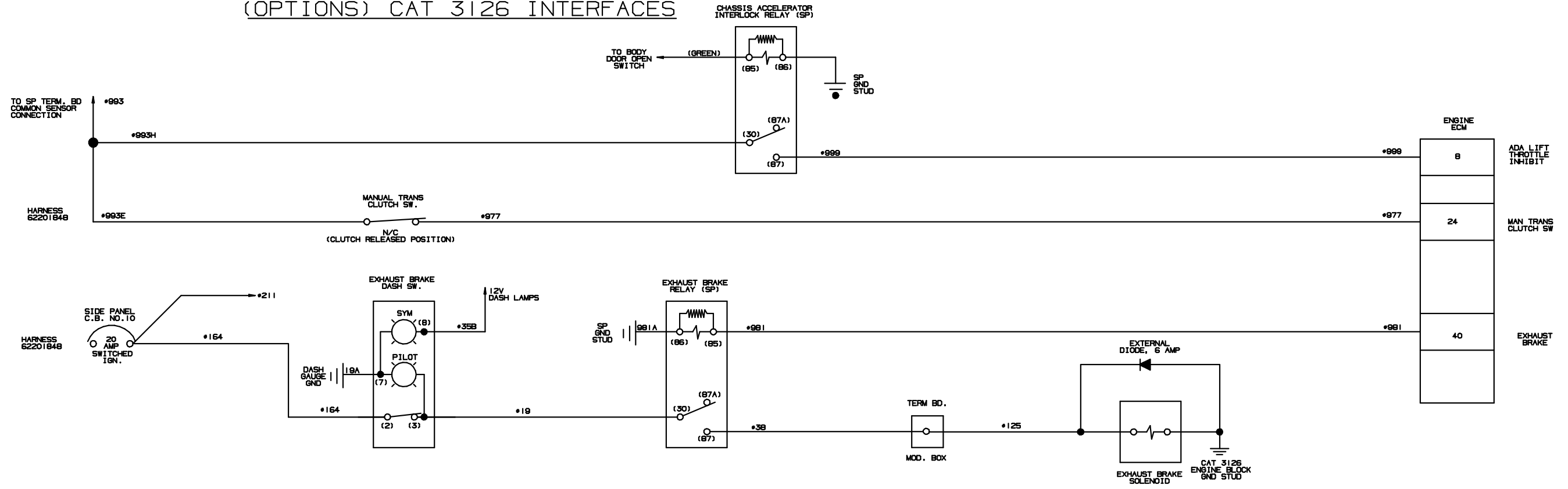


**Thomas**  
BUILT-IN-BUSSES

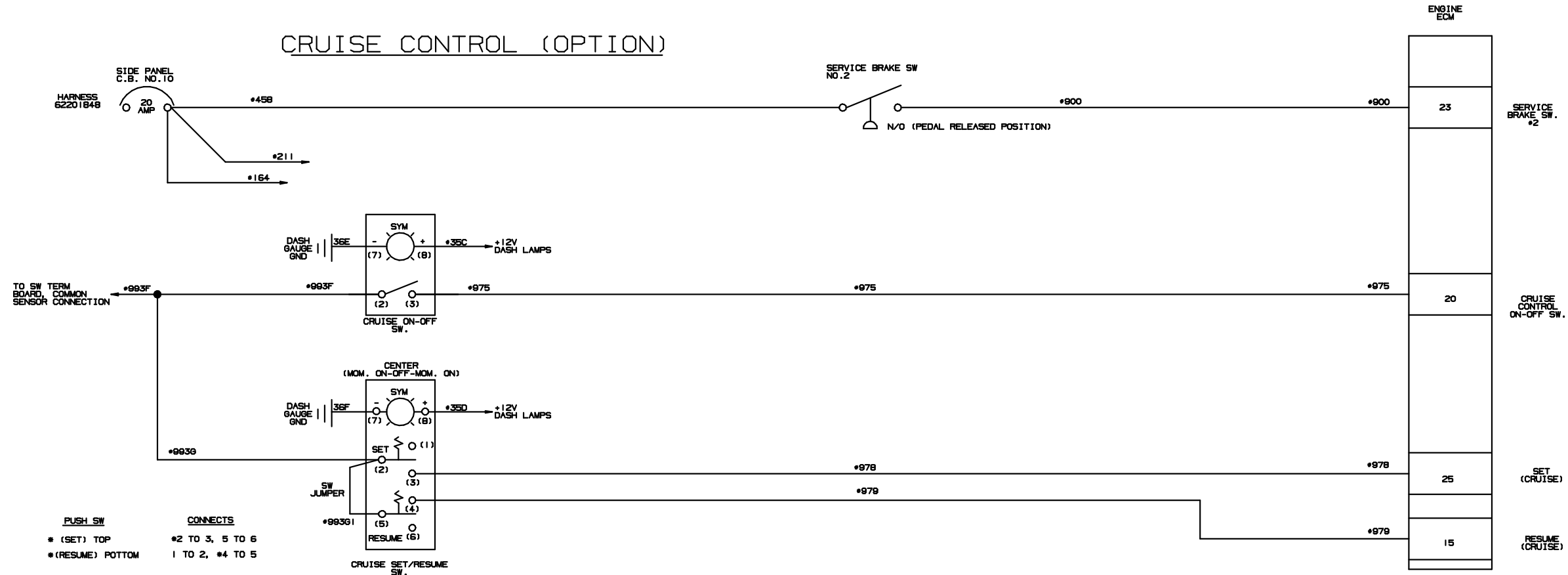
**62202565 D**

**DOUGLAS COLUMN/FOX  
TURN SIGNAL 98 CAT  
3126 w/FAN CLUTCH**  
Effective Date: 4/16/98  
End Date: 12/20/98

(OPTIONS) CAT 3126 INTERFACES

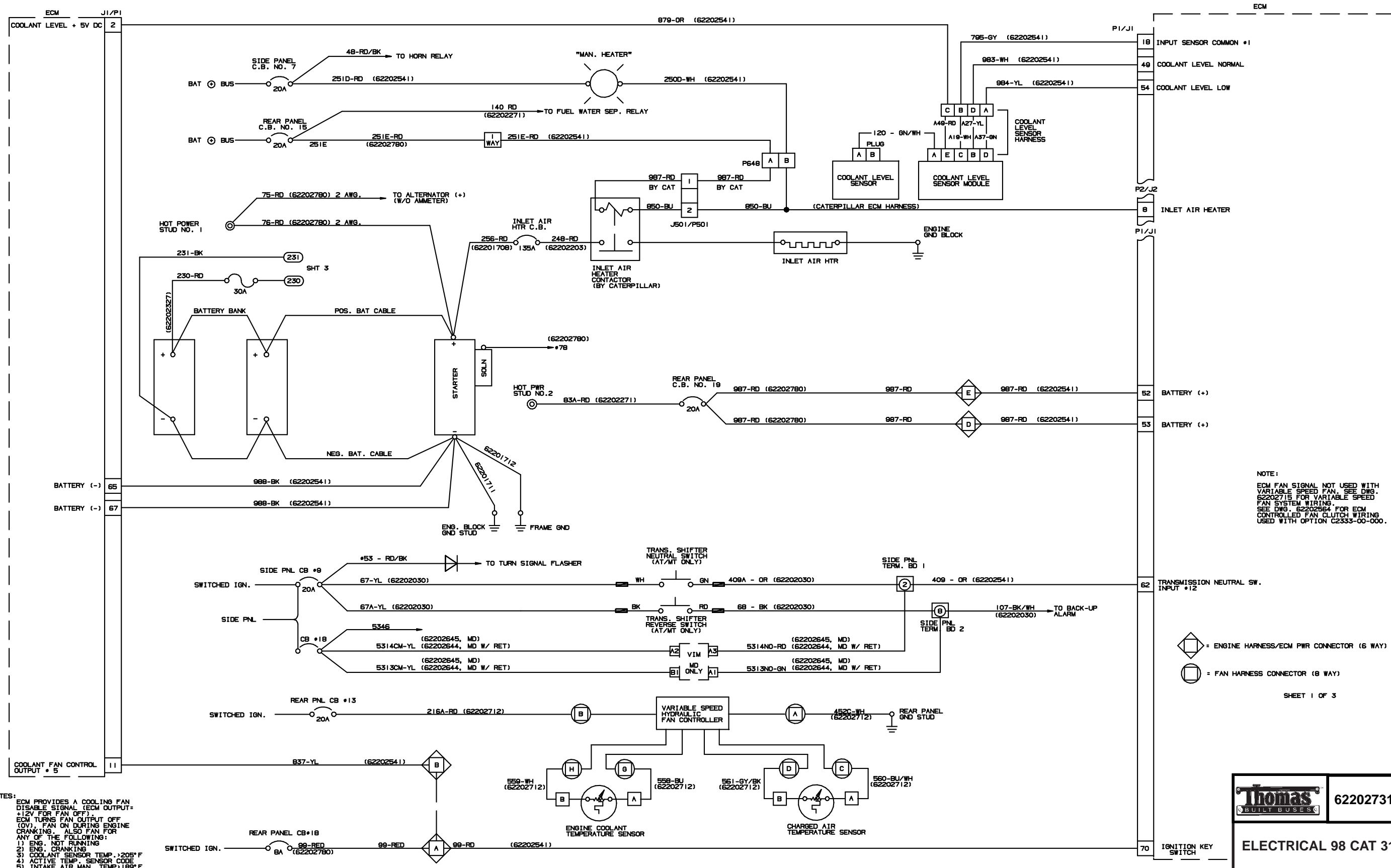


CRUISE CONTROL (OPTION)



SHEET 2 OF 2

	62001889 B
ELECT. CAT 3126 (97 MODEL)	



NOTE:  
 ECM FAN SIGNAL NOT USED WITH VARIABLE SPEED FAN. SEE DWG. 62202715 FOR VARIABLE SPEED FAN SYSTEM WIRING. SEE DWG. 62202564 FOR ECM CONTROLLED FAN CLUTCH WIRING USED WITH OPTION C2333-00-000.

◇ = ENGINE HARNESS/ECM PWR CONNECTOR (6 WAY)  
 □ = FAN HARNESS CONNECTOR (8 WAY)

SHEET 1 OF 3

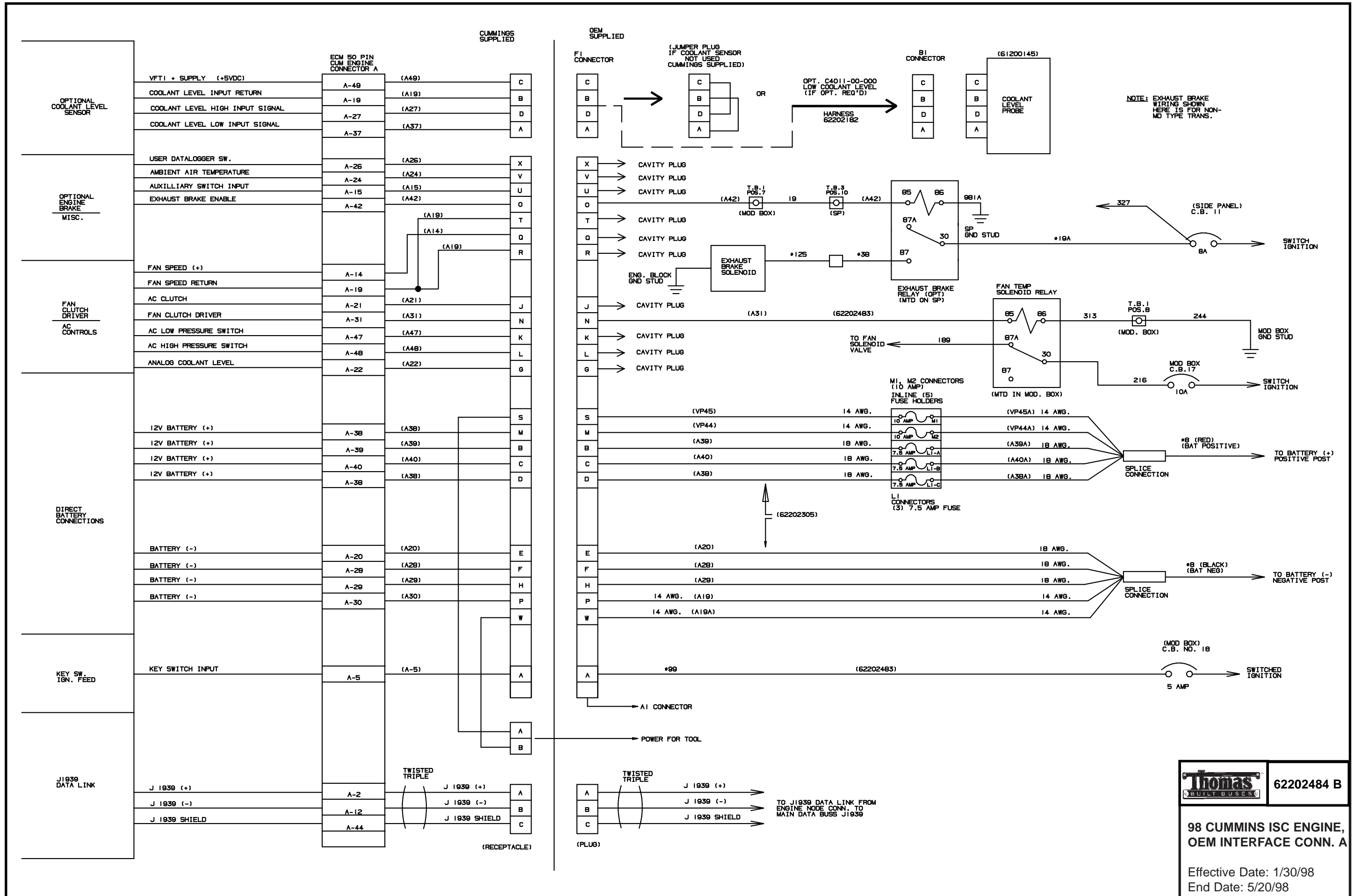
NOTES:  
 ECM PROVIDES A COOLING FAN DISABLE SIGNAL (ECM OUTPUT = +12V FOR FAN OFF). ECM TURNS FAN OUTPUT OFF (OV). FAN ON DURING ENGINE CRANKING. ALSO FAN FOR ANY OF THE FOLLOWING:  
 1) ENG. NOT RUNNING  
 2) ENG. CRANKING  
 3) COOLANT SENSOR TEMP. > 205°F  
 4) ACTIVE TEMP. SENSOR CODE  
 5) INTAKE AIR MAN. TEMP. > 189°F



62202731 E

ELECTRICAL 98 CAT 3126

Effective Date: 8/14/98



**Thomas**  
BUILT TO LAST

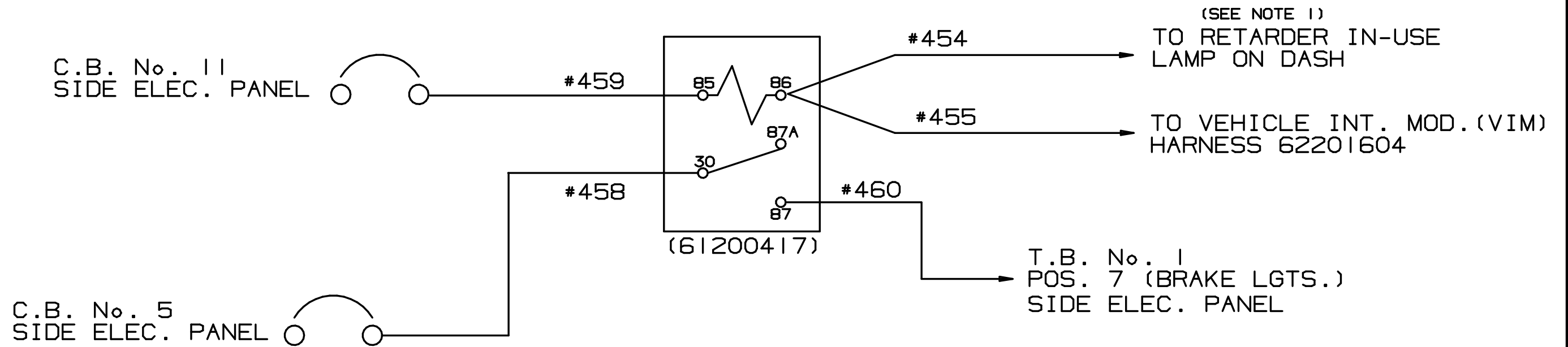
**62202484 B**

**98 CUMMINS ISC ENGINE, OEM INTERFACE CONN. A**

Effective Date: 1/30/98  
End Date: 5/20/98




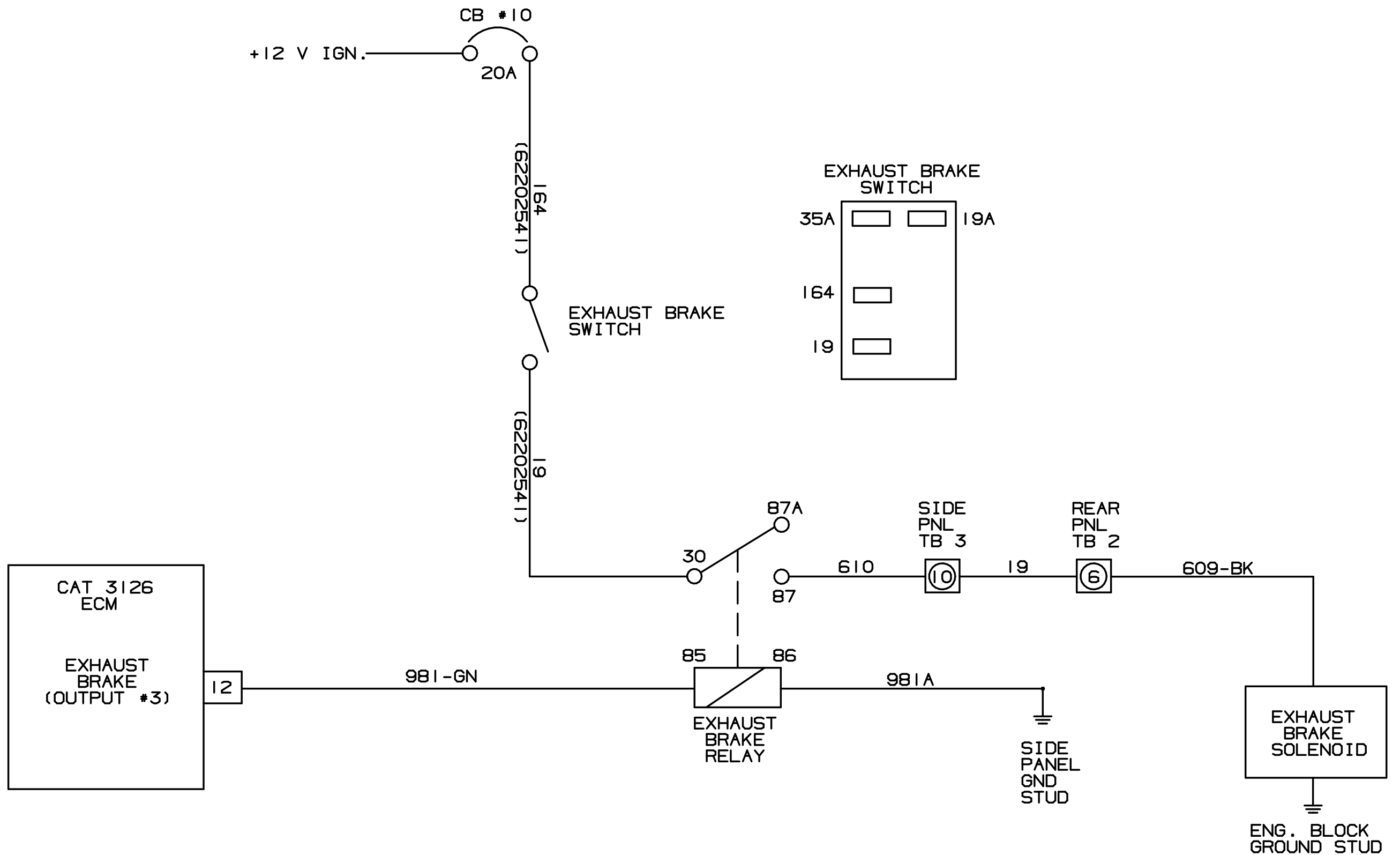
RETARDER IN-USE RELAY



STANDARD WIRING EA. INSTALLATION

NOTE(S):  
 1. DO NOT USE WIRE #454 IN VIM HARNESS 62201604.  
 USE WIRE #454 IN HARNESS 61200630.

	62201840 B
RETARDER IN-USE RELAY	



**Thomas**  
BUILT BUSES

62202808 A

EXHAUST BRAKE 98 CAT  
3126 w/MT  
TRANSMISSION

Effective Date: 2/12/99

**CL960  
LIGHTS  
SCHEMATICS**

CLICK HERE TO **DOWNLOAD** THE COMPLETE MANUAL

- Thank you very much for reading the preview of the manual.
- You can download the complete manual from: [www.heydownloads.com](http://www.heydownloads.com) by clicking the link below



- Please note: If there is no response to CLICKING the link, please download this PDF first and then click on it.

CLICK HERE TO **DOWNLOAD** THE COMPLETE MANUAL