



Electrical Wiring Diagrams



DISCOVERY 4 - LR4 (LHD)

(1b) VIN: 524545 >

CLICK HERE TO **DOWNLOAD** THE COMPLETE MANUAL

- Thank you very much for reading the preview of the manual.
- You can download the complete manual from: www.heydownloads.com by clicking the link below

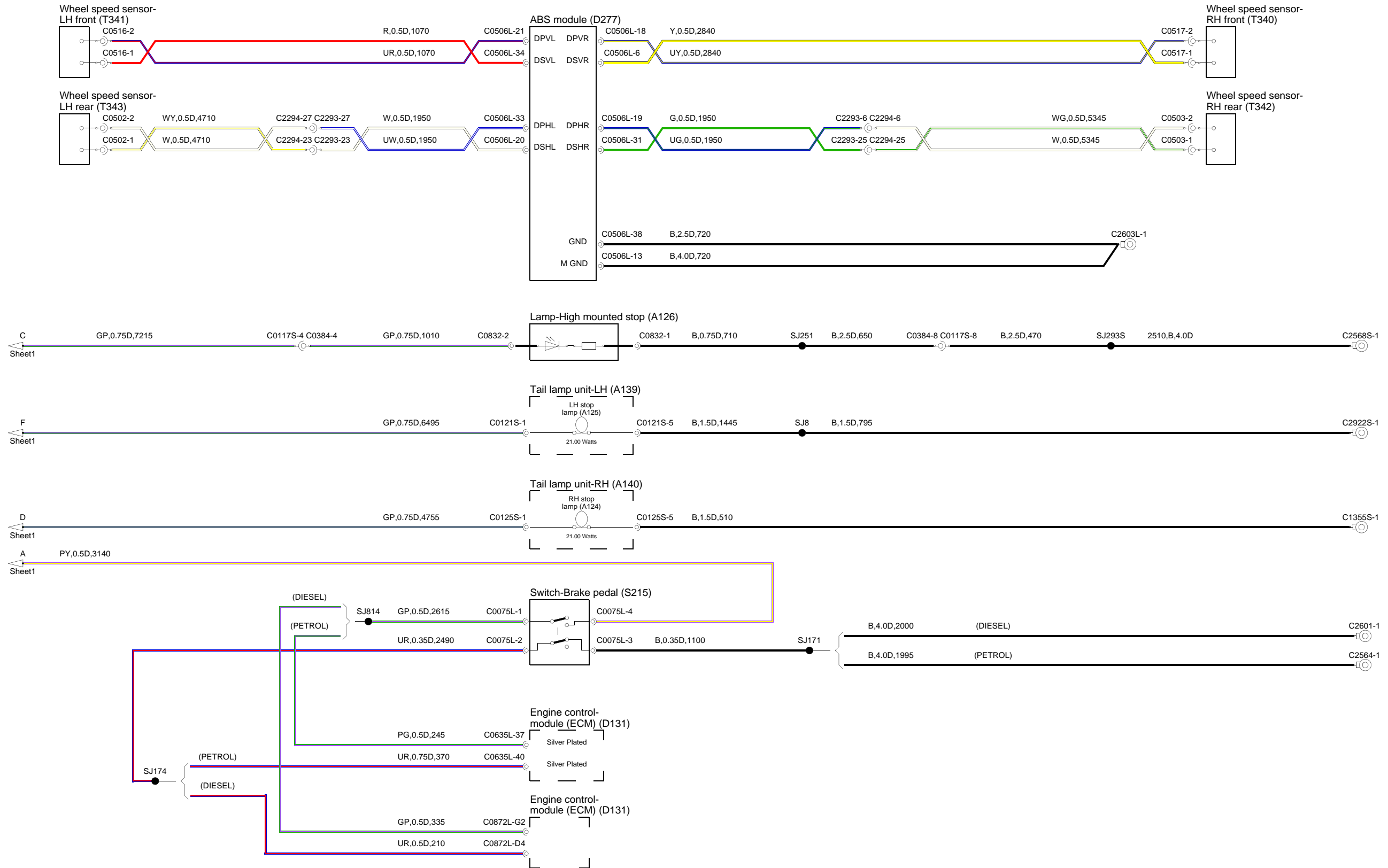


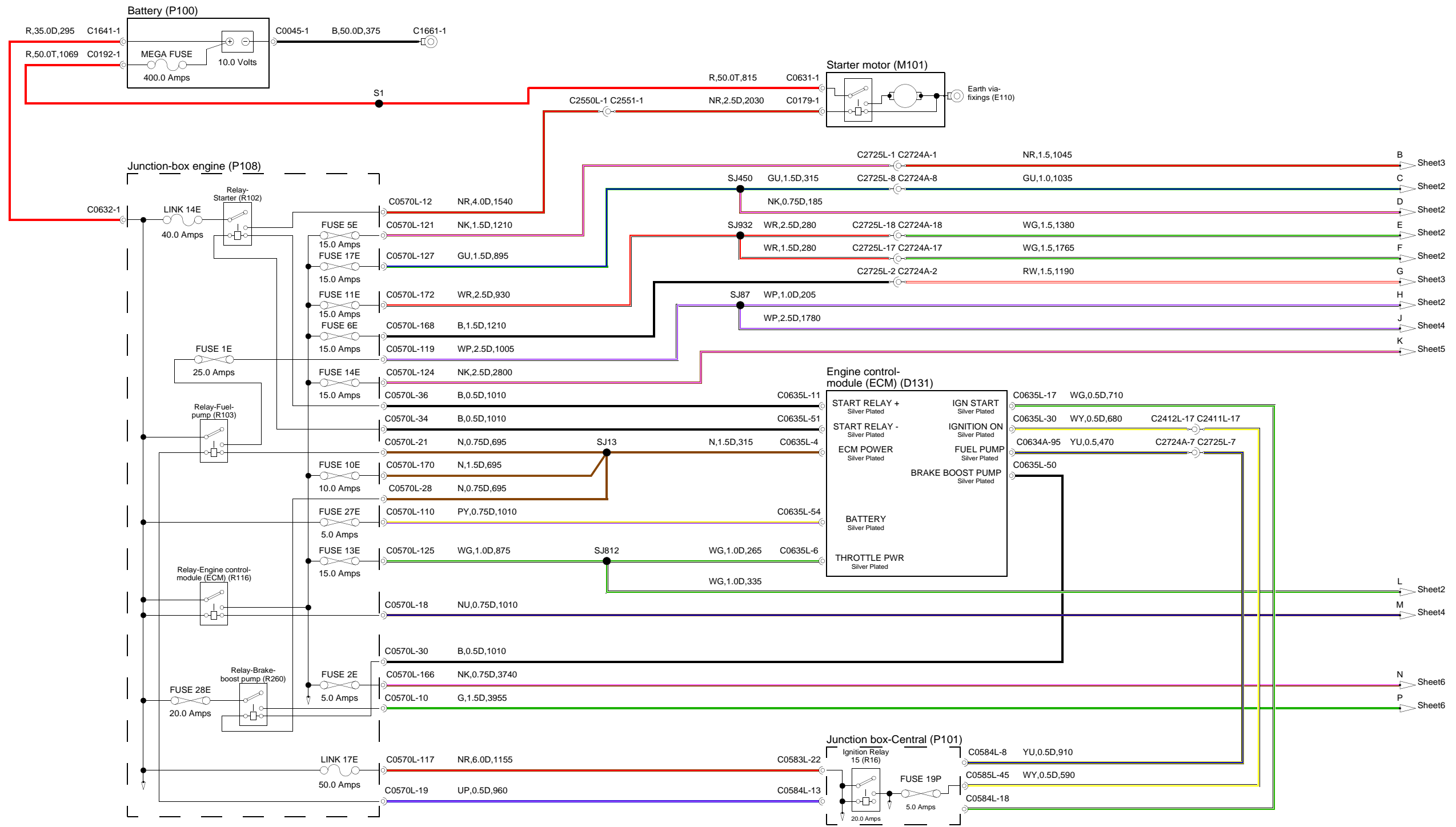
- Please note: If there is no response to CLICKING the link, please download this PDF first and then click on it.

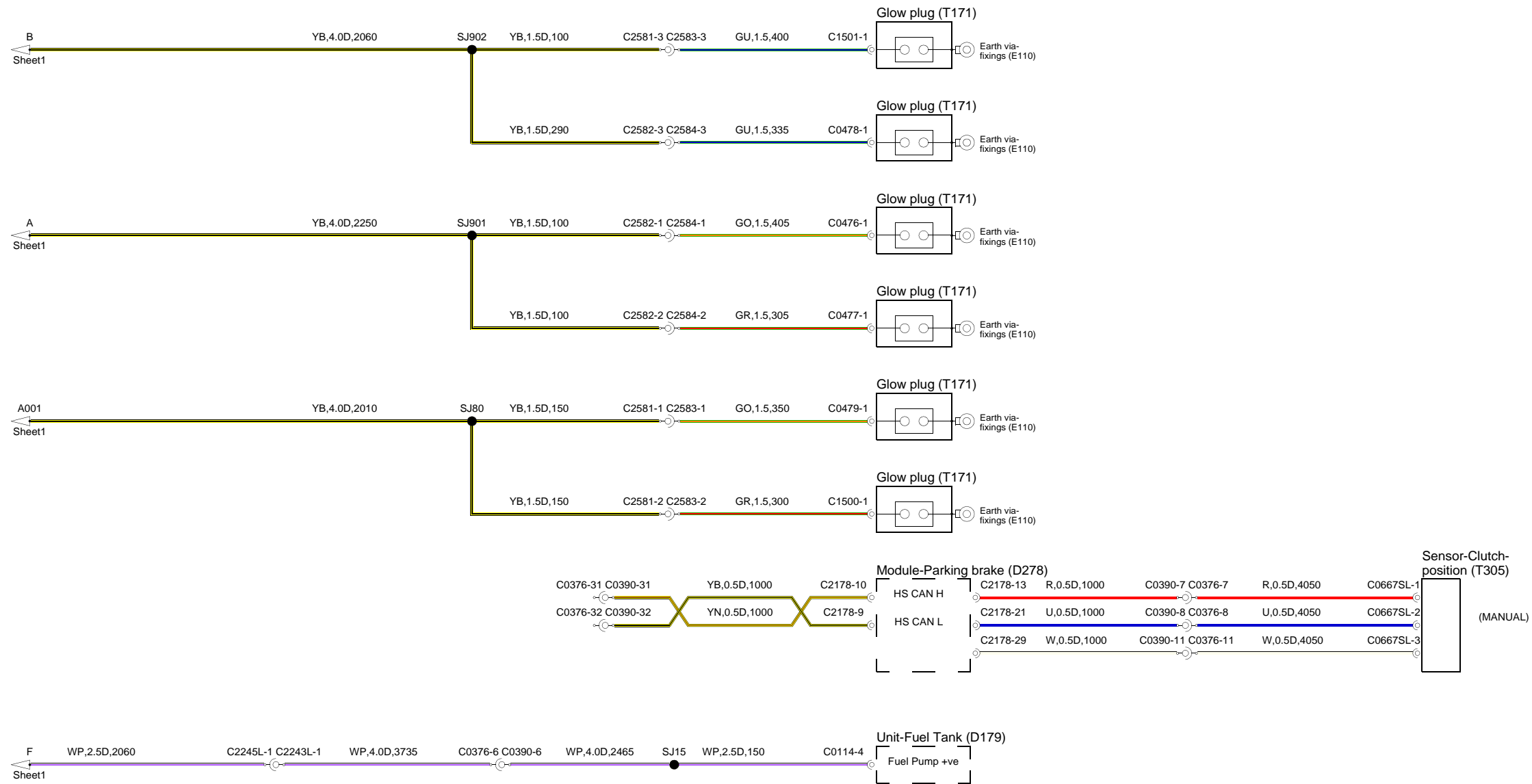
CLICK HERE TO **DOWNLOAD** THE COMPLETE MANUAL

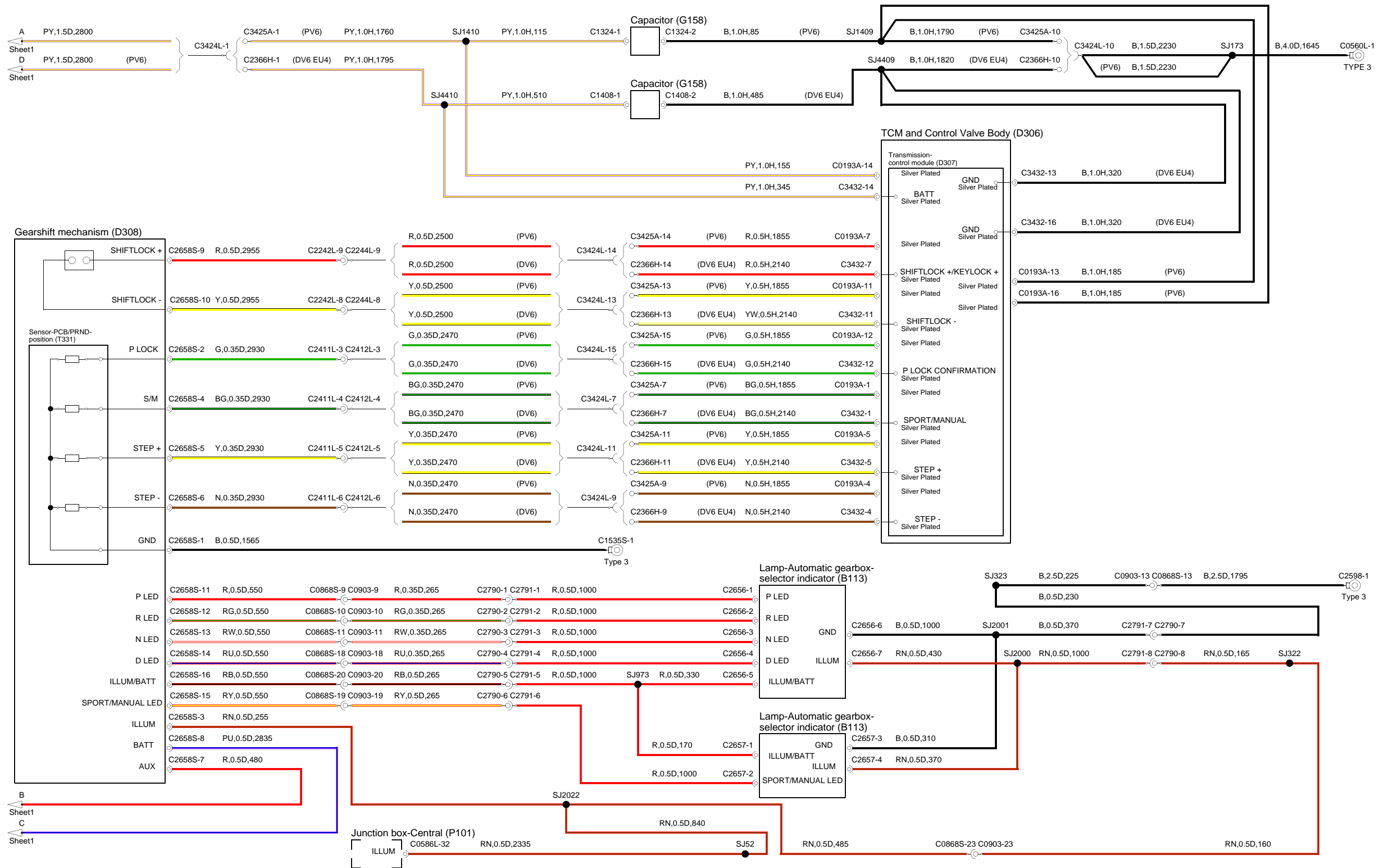
Colour Codes

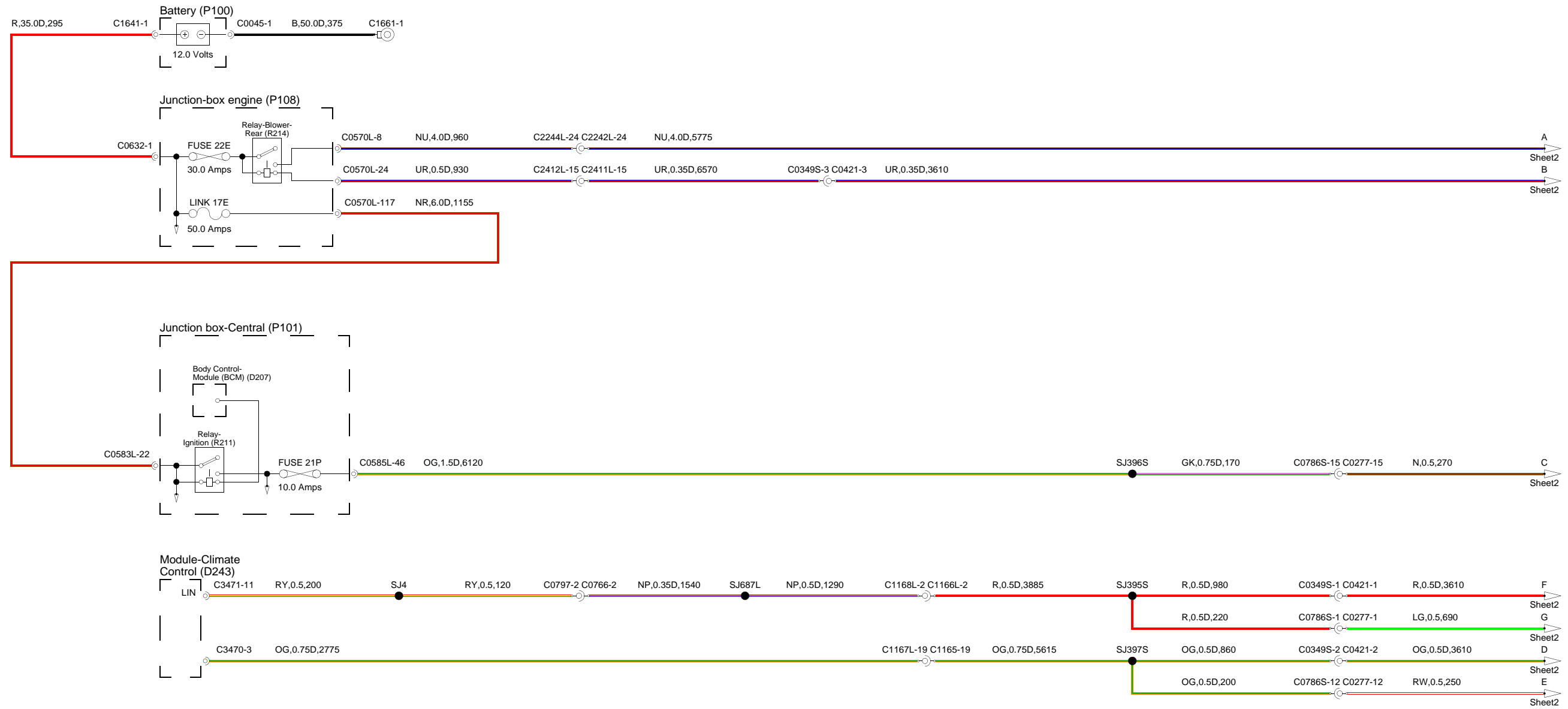
CODE	COLOUR
BK or B	BLACK
BN or N	BROWN
BU or U	BLUE
GN or G	GREEN
GY or S	GREY (slate)
OG or O	ORANGE
PK or K	PINK
RD or R	RED
VT or P	PURPLE
WH or W	WHITE
YE or Y	YELLOW

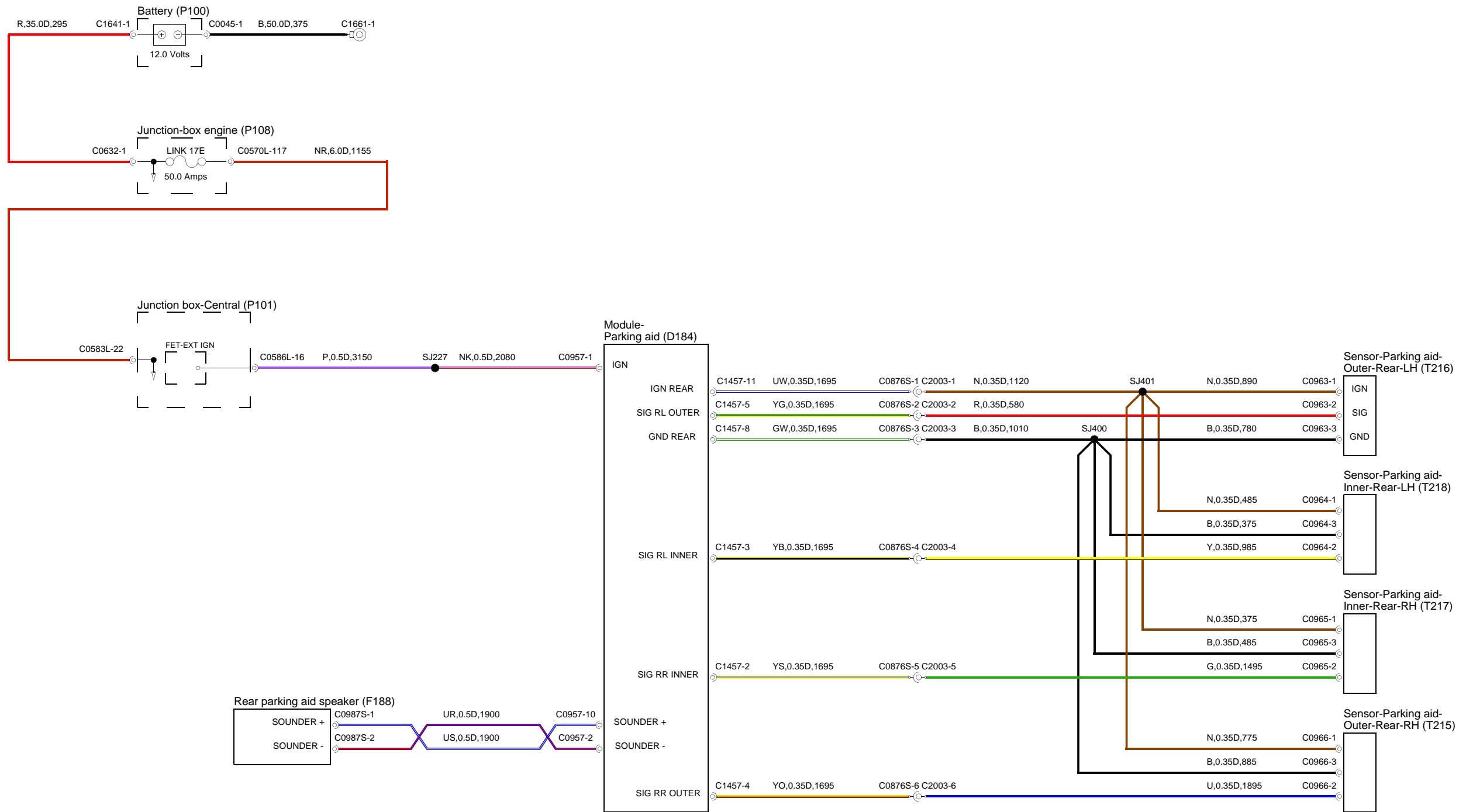




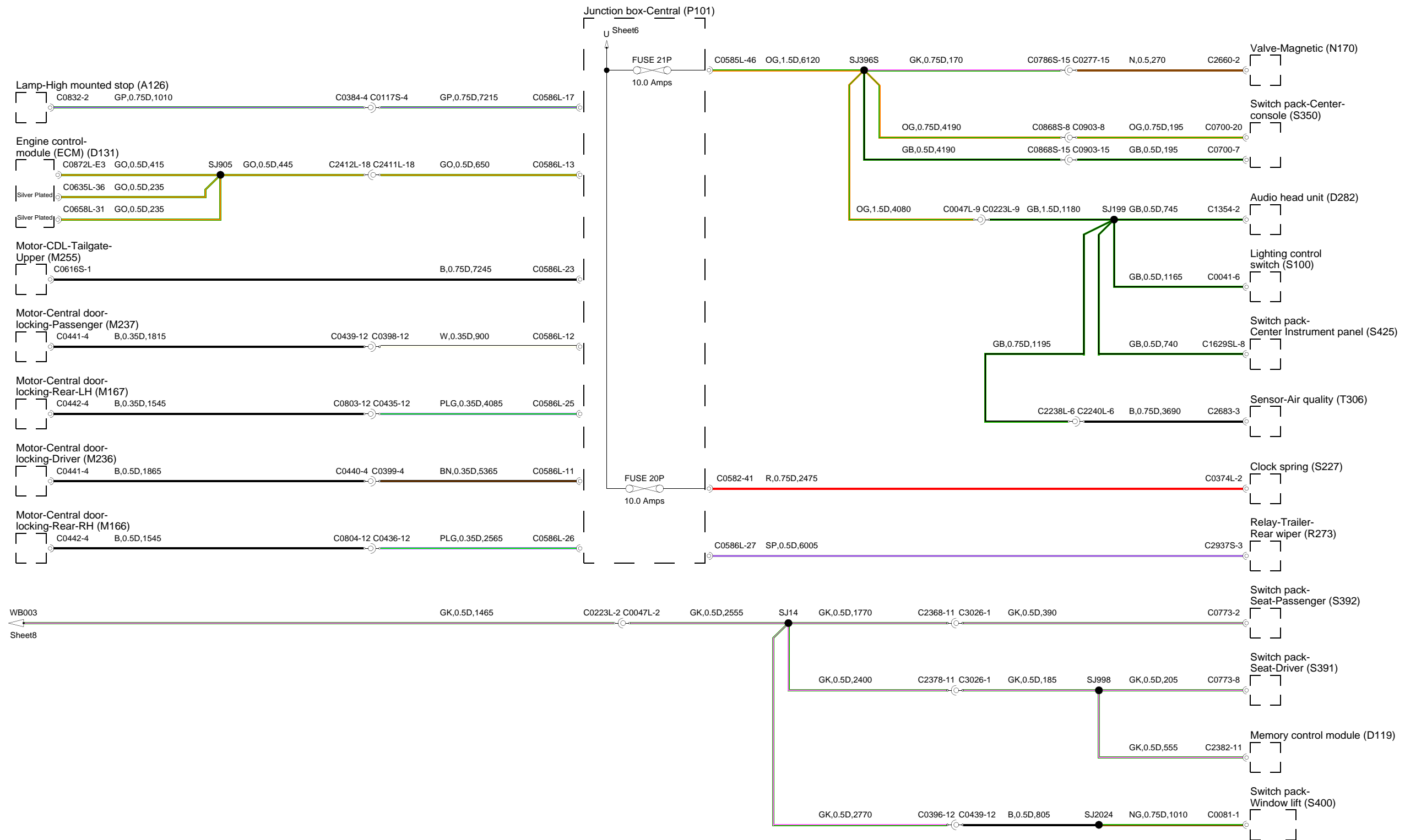


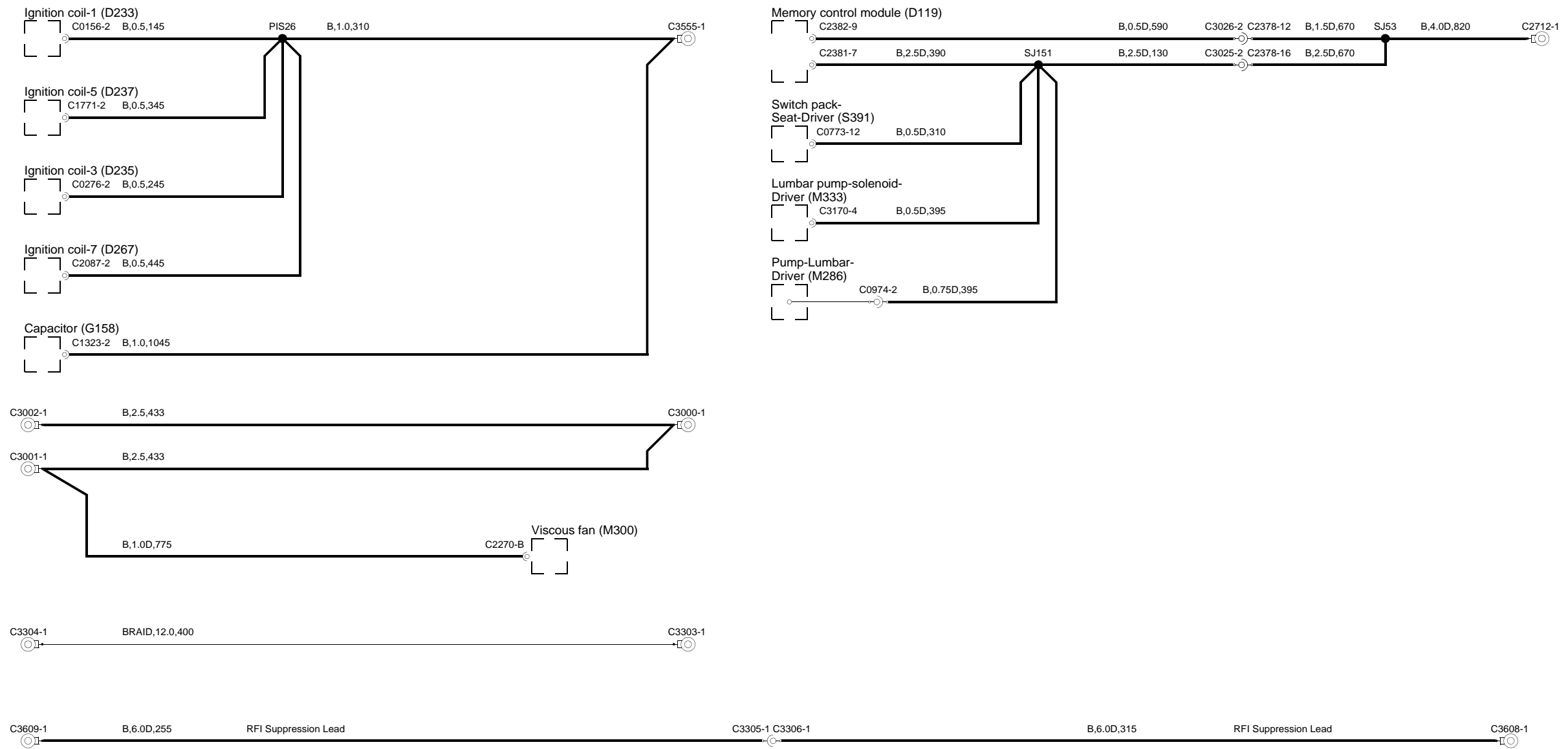


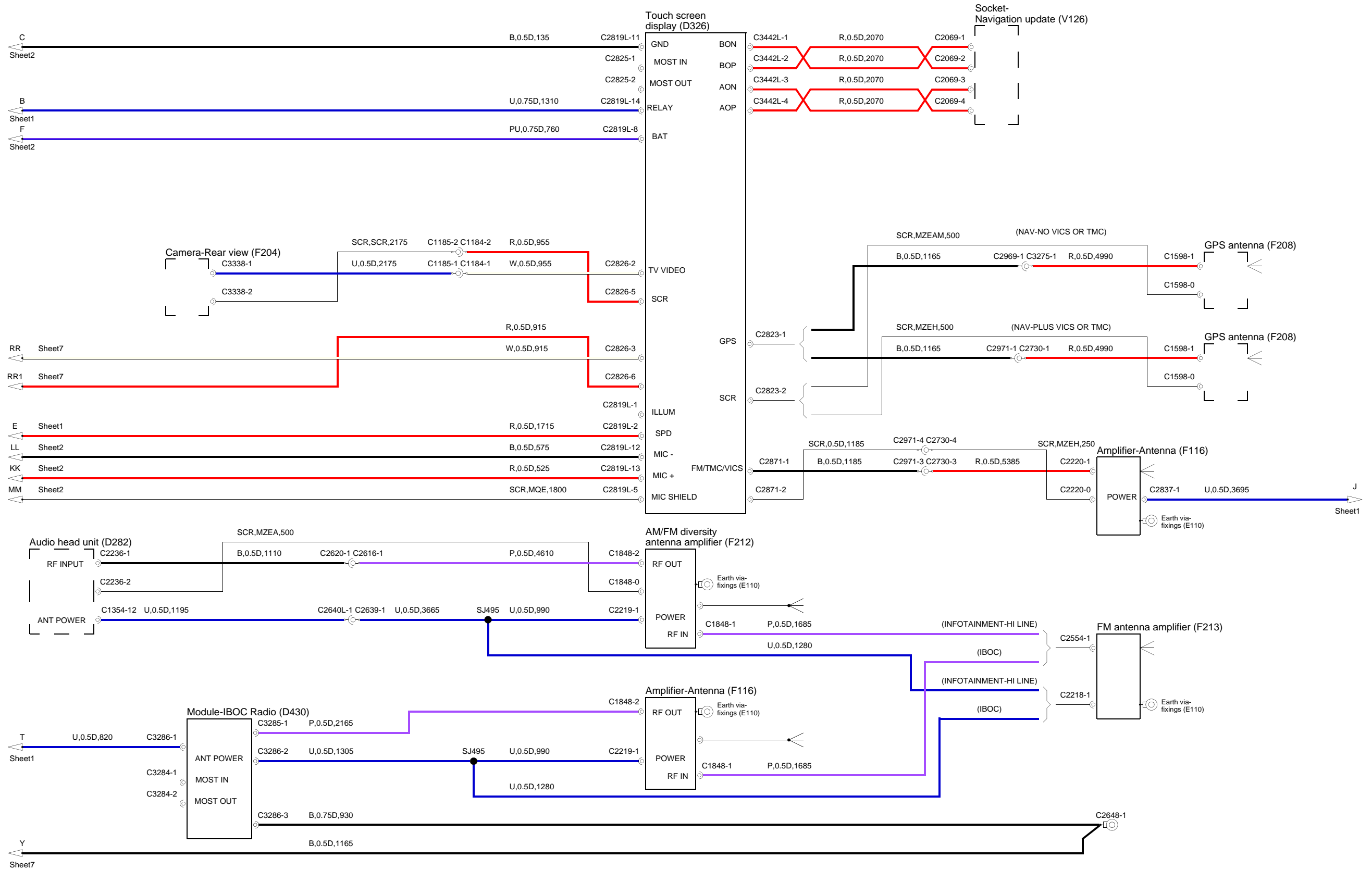


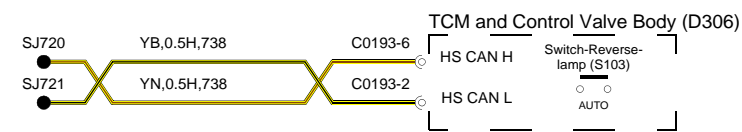
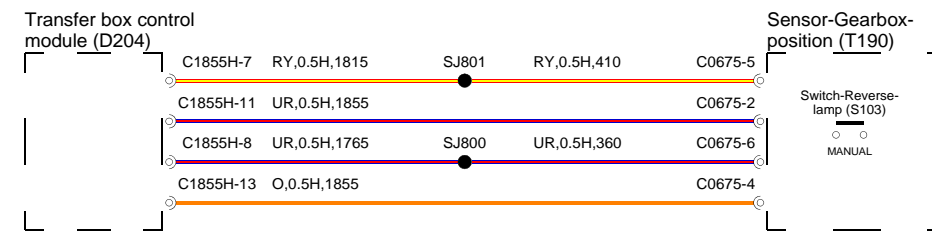
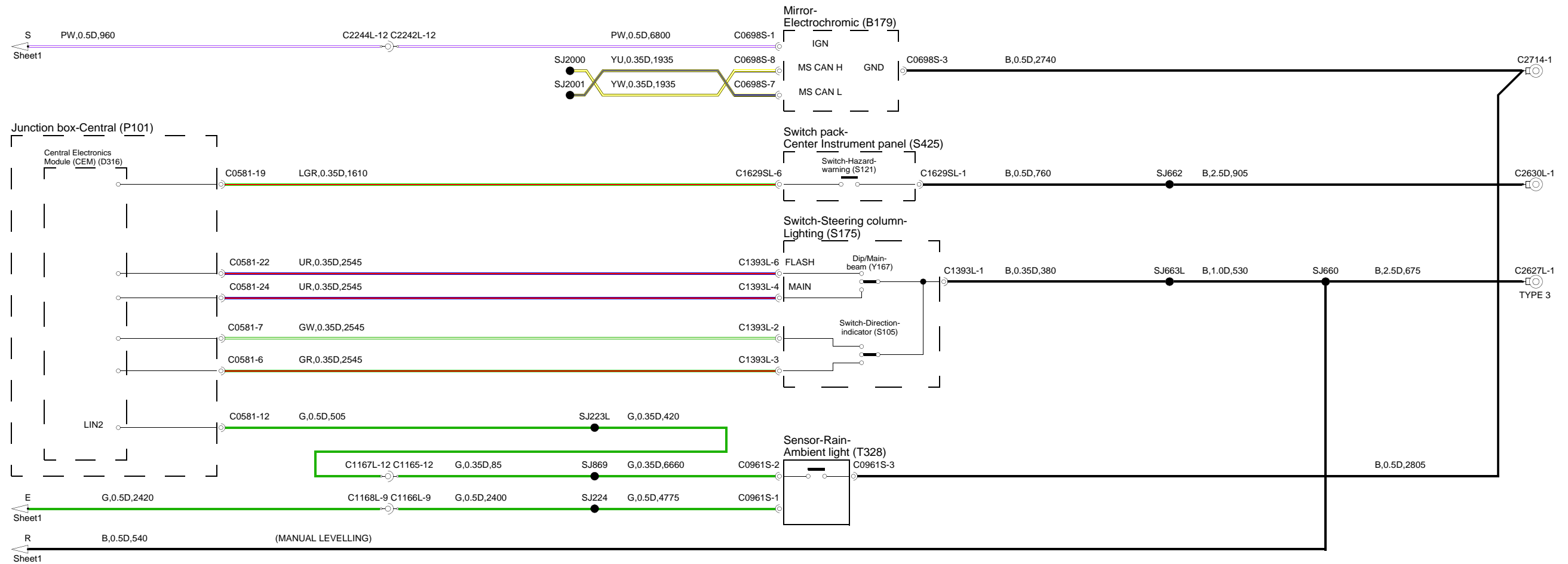


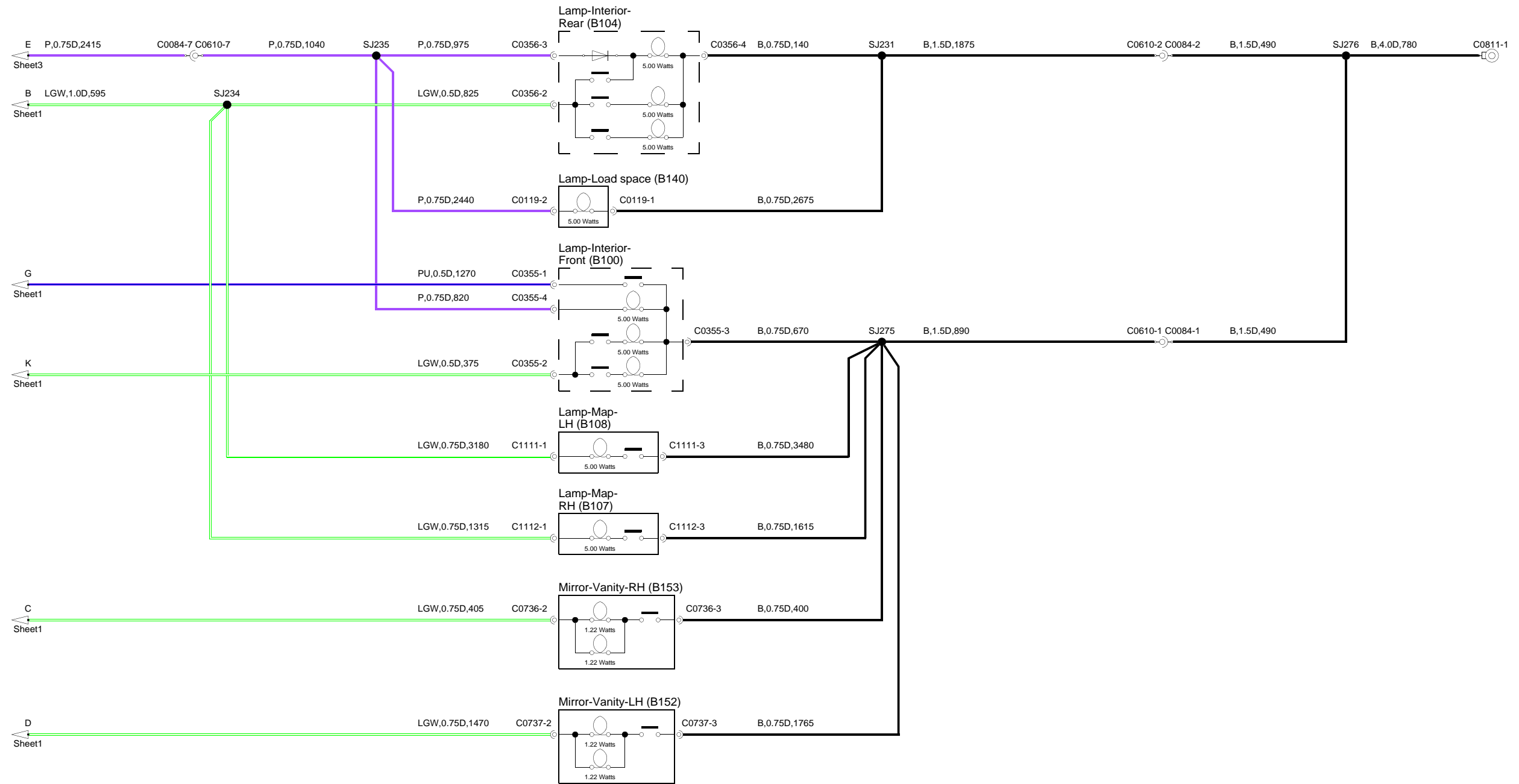


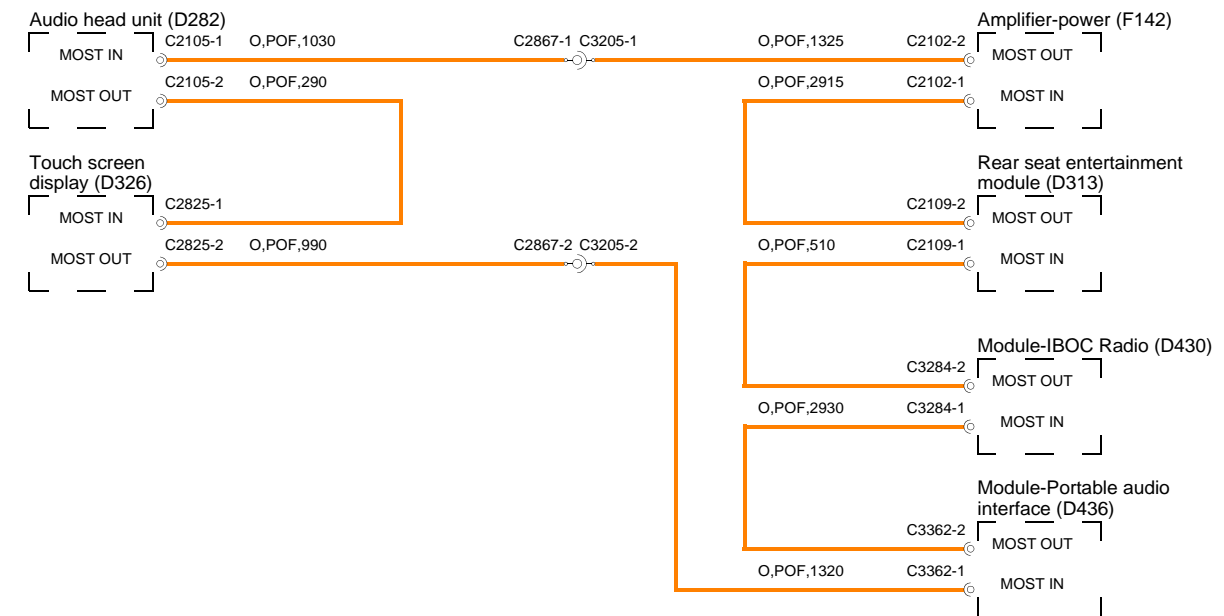
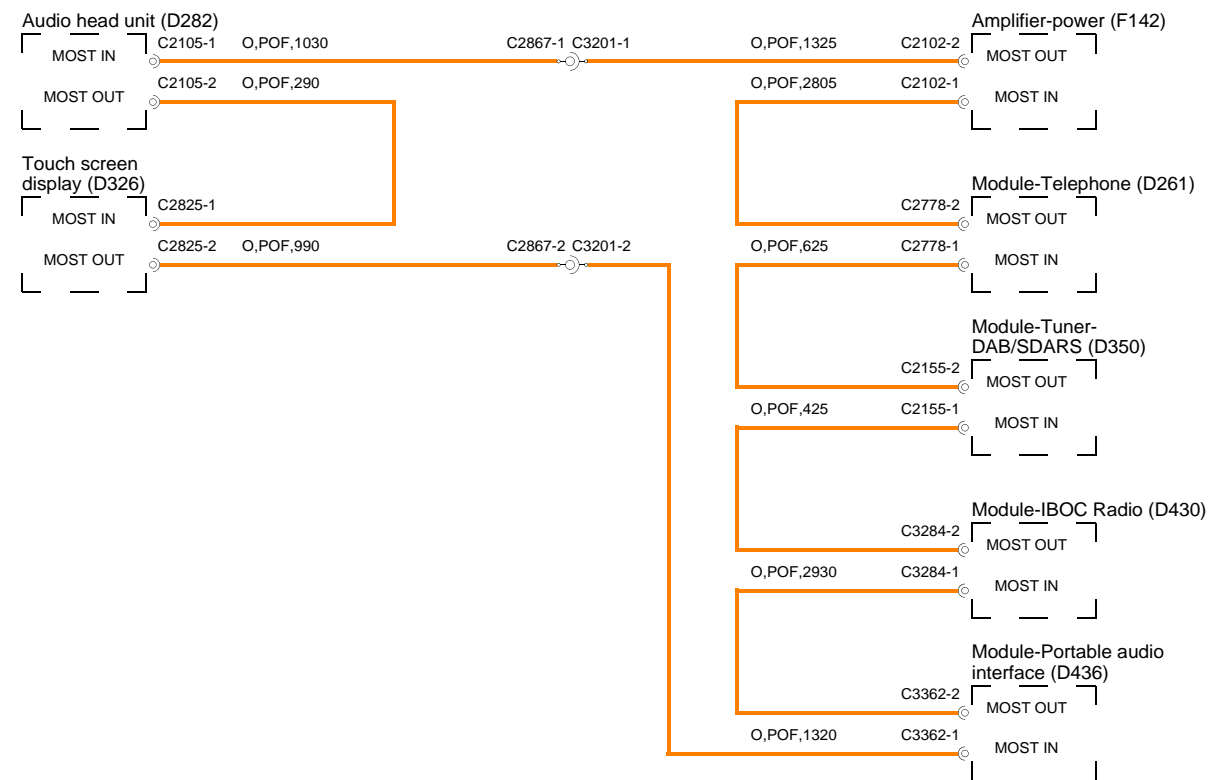
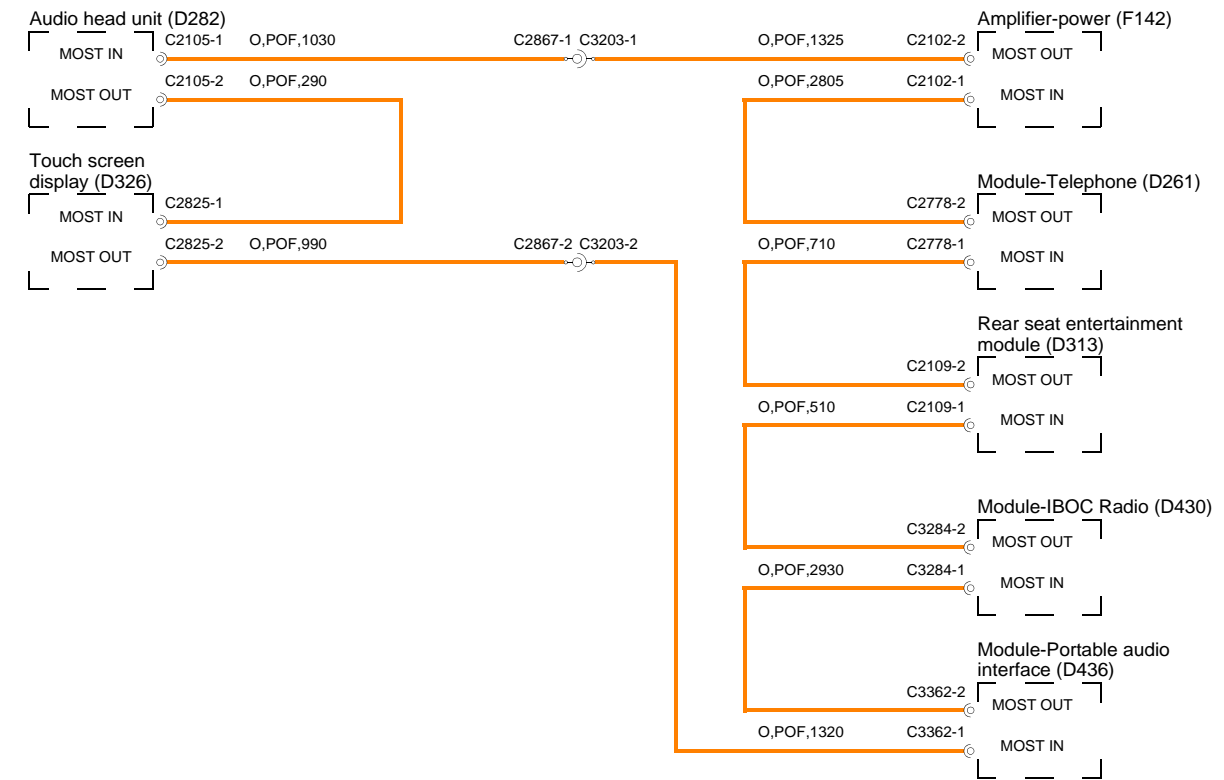
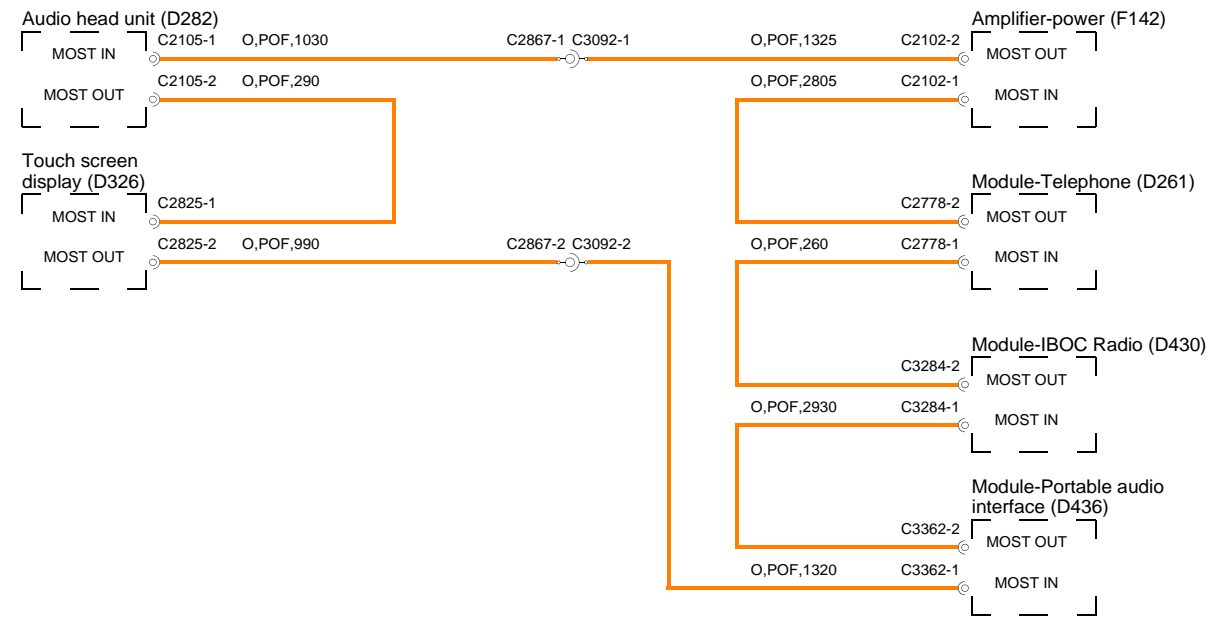


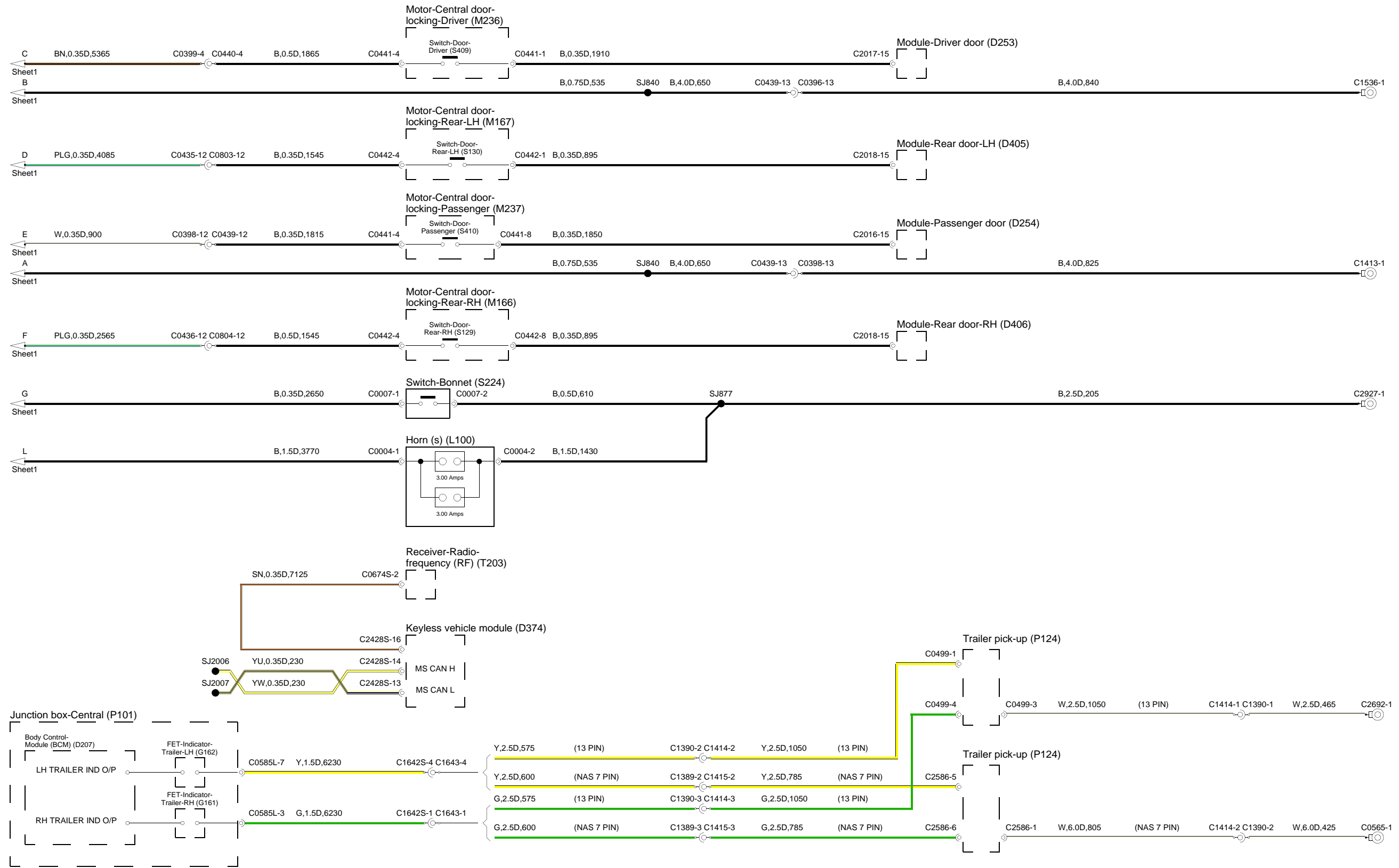


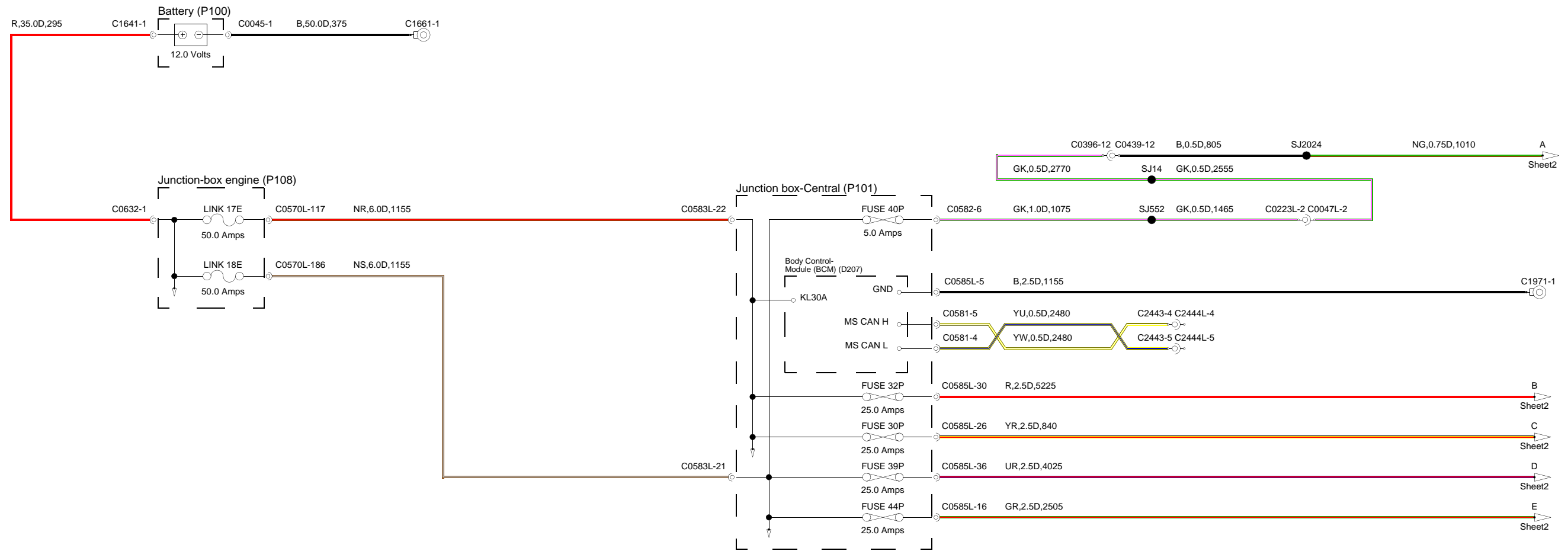


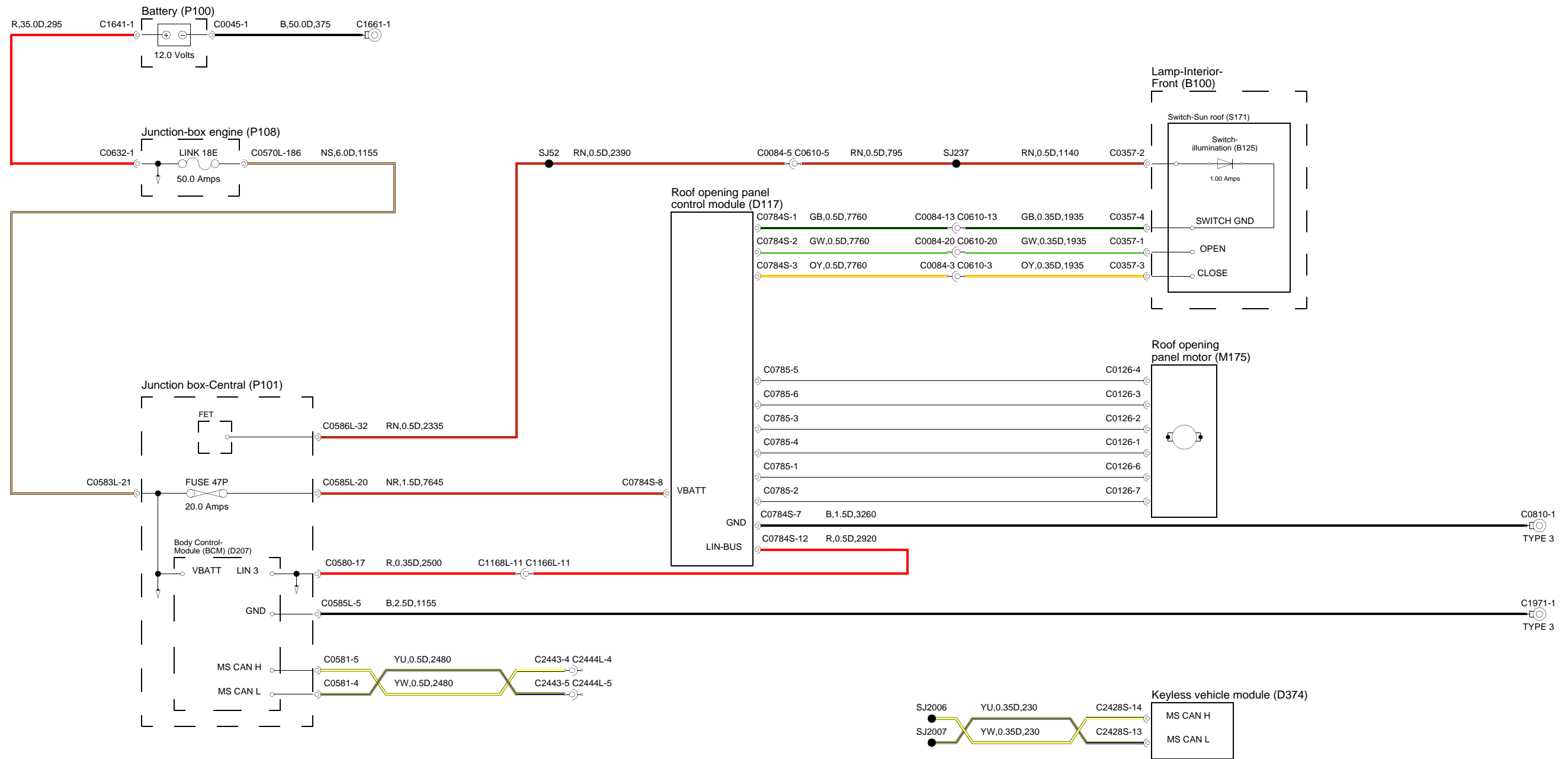






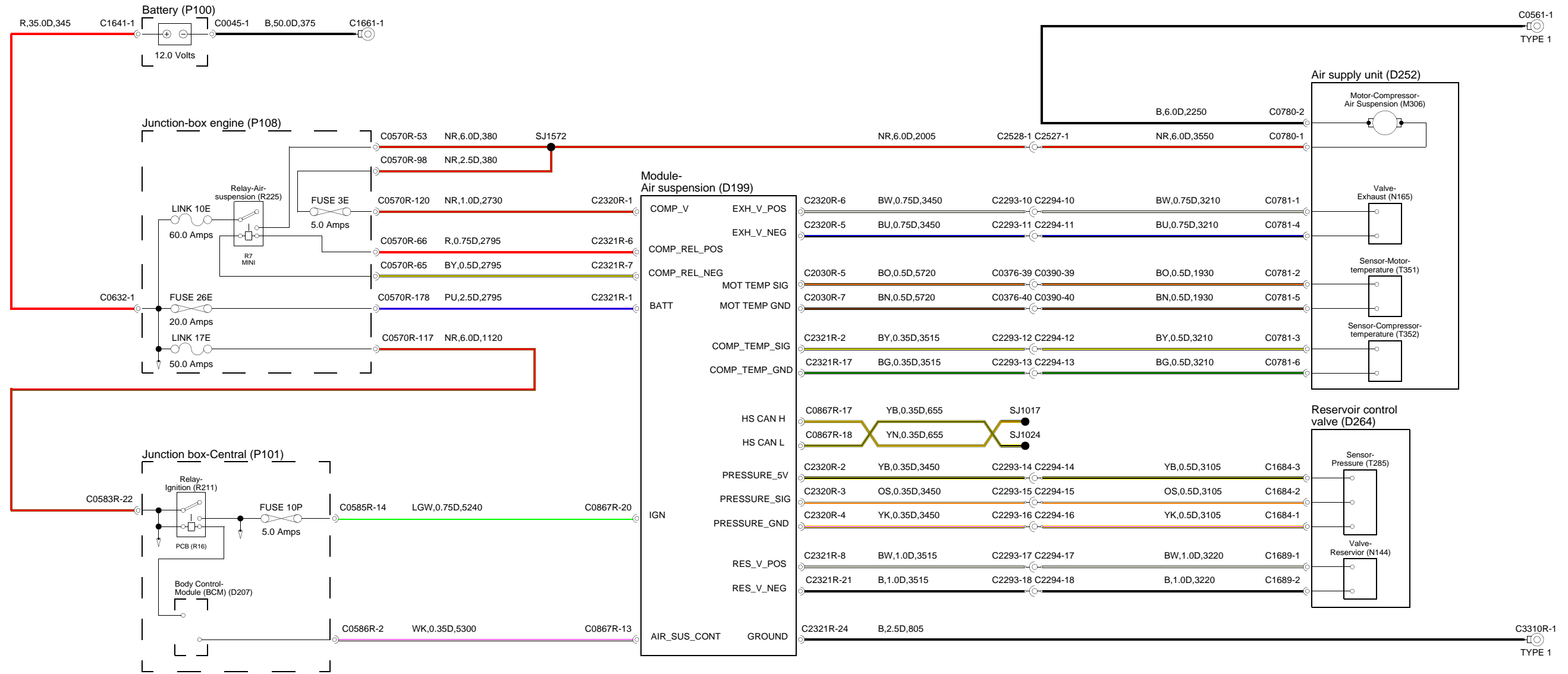


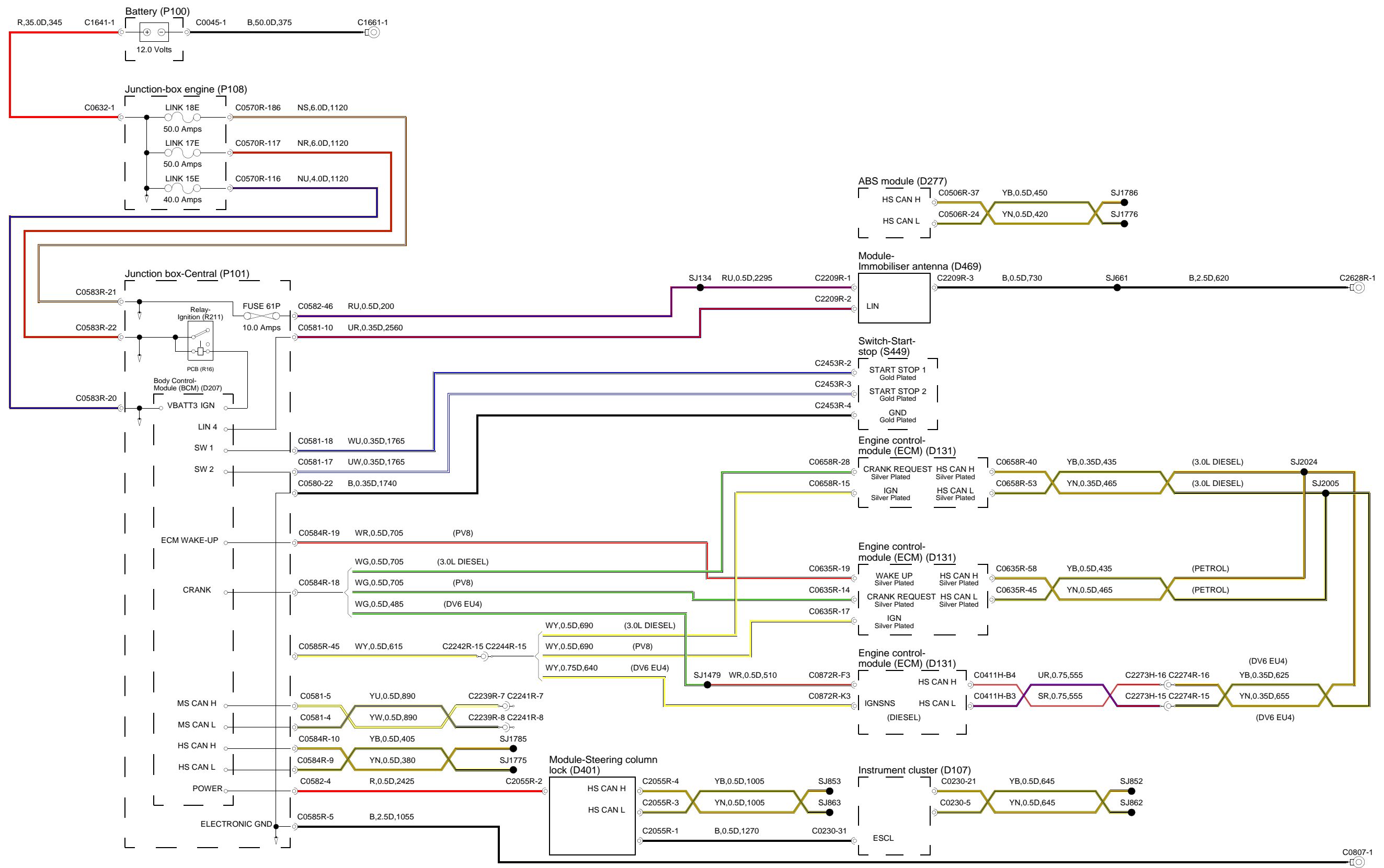


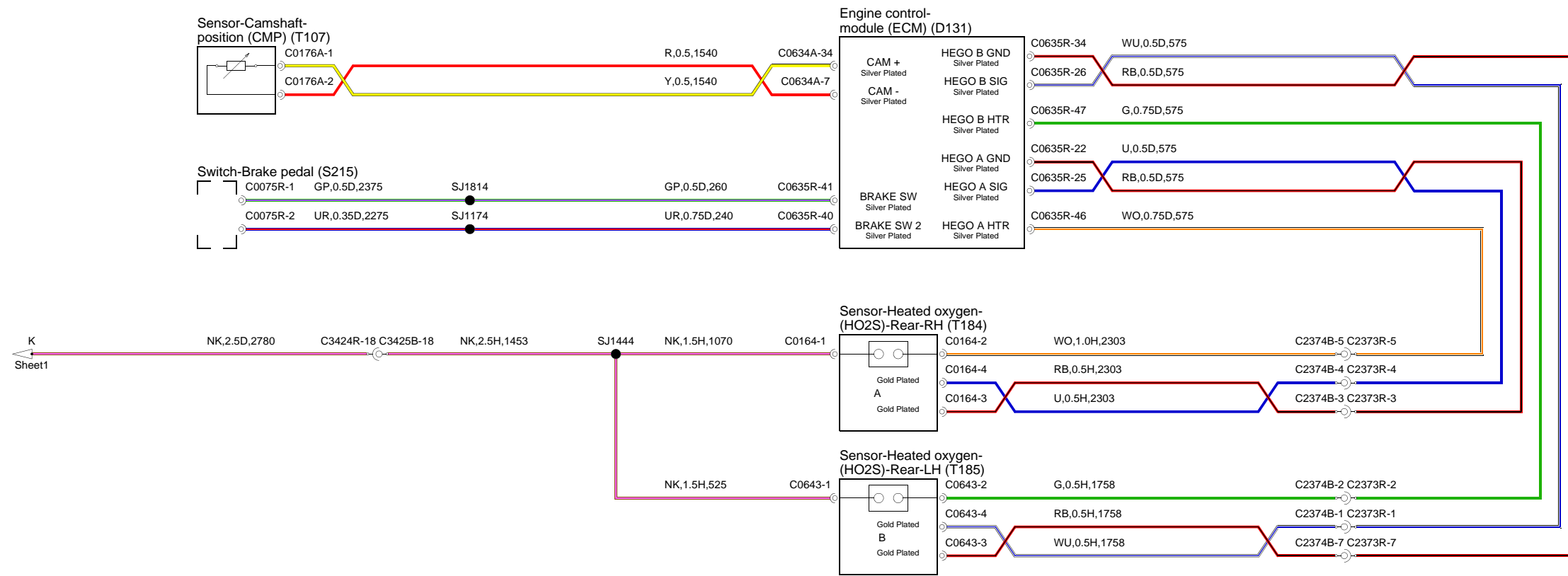


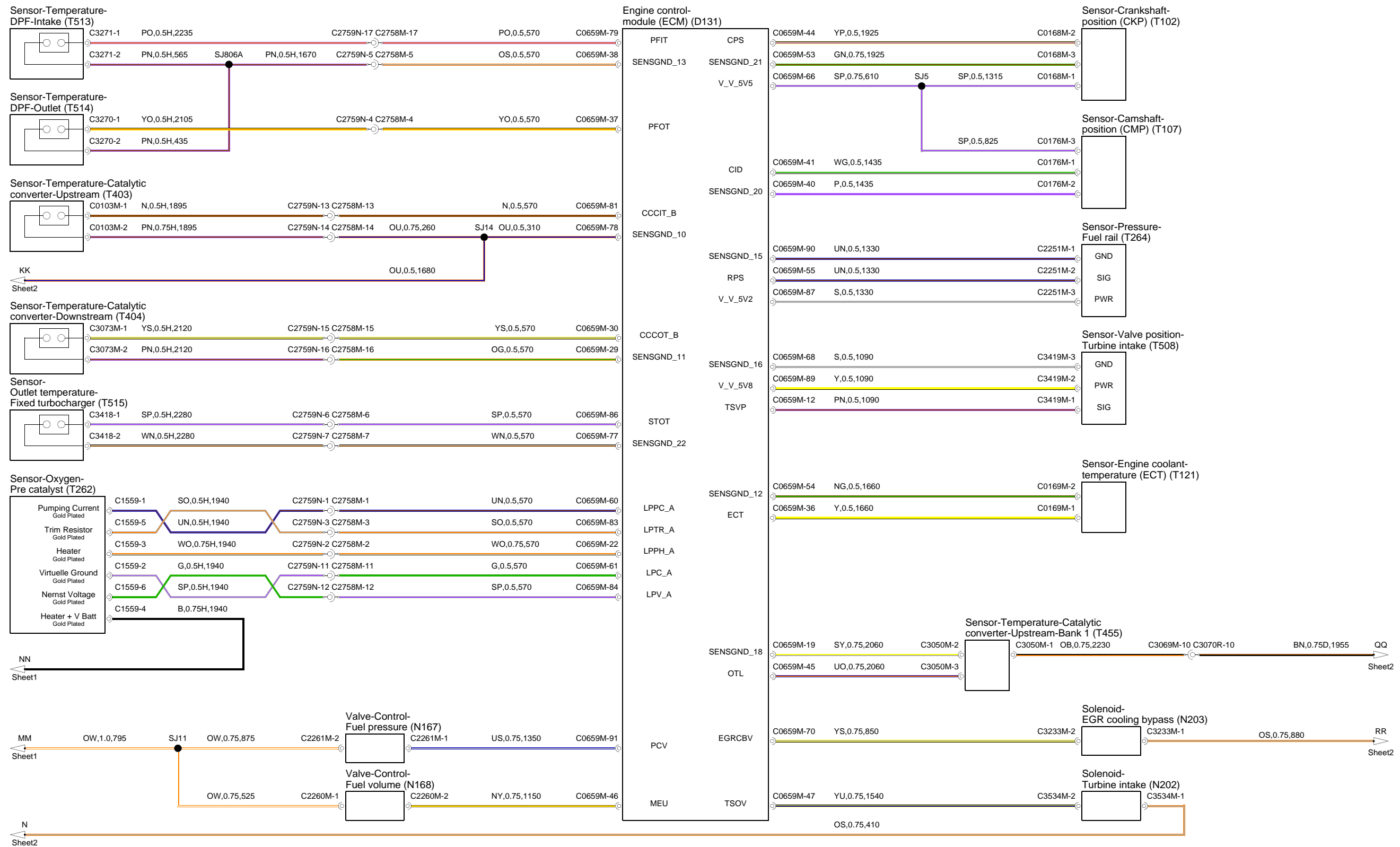
ABBREVIATIONS

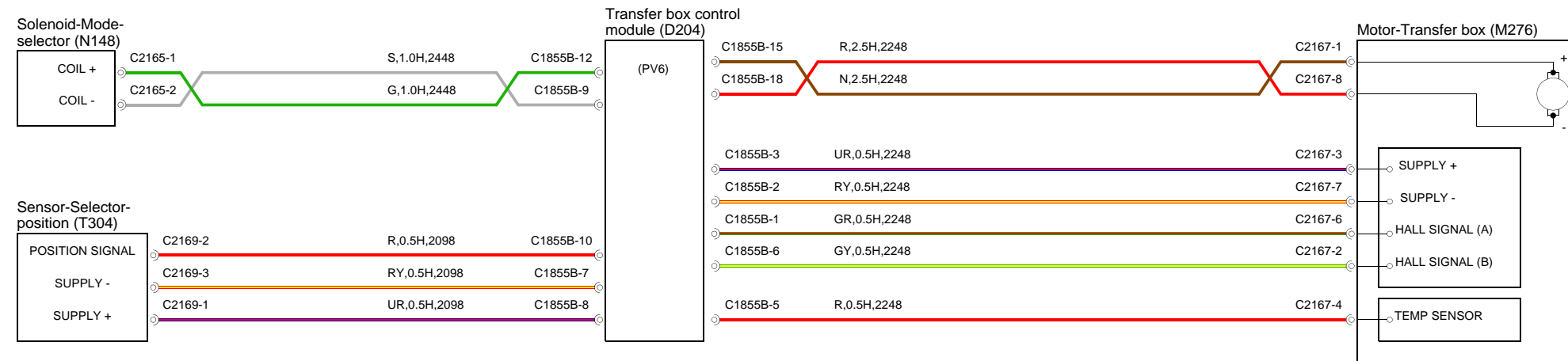
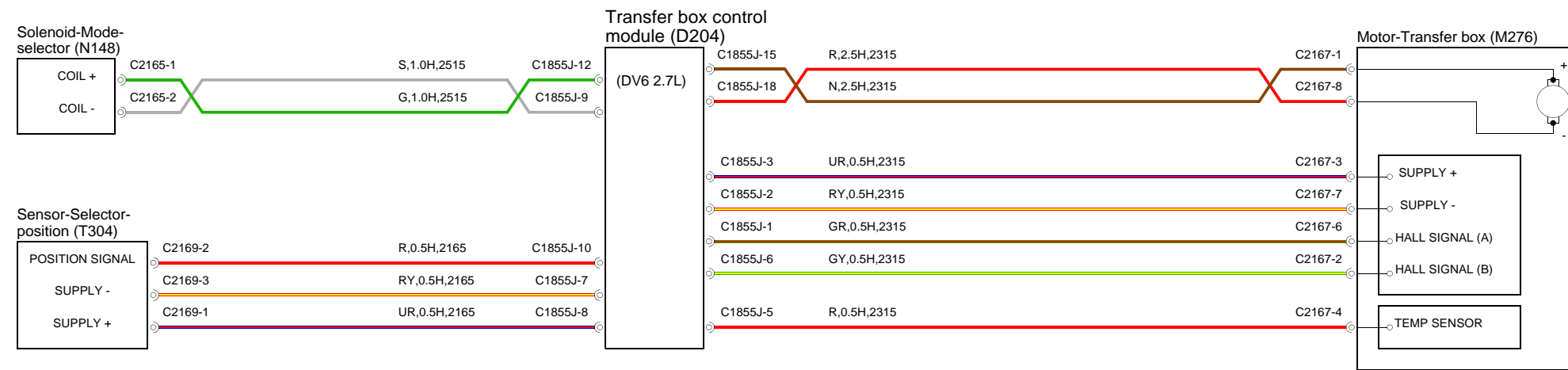
Abbreviation	Description
ABS	Anti-lock braking system
ADRC	Adaptive damping
AFS	Adaptive front lighting system
AMP	Audio amplifier
AUTO	Automatic transmission
AUU	Portable audio interface
BSM	Blind spot monitoring
CAN	Controller area network
CVD	Continuously variable damping
DAB	Digital audio broadcasting
DSC	Dynamic stability control
D4	Diesel engine - Straight-four
DPF	Diesel particulate filter
DV6	Diesel engine - V6
DV8	Diesel engine - V8
EGR	Exhaust gas recirculation
EMS	Engine management system
ETS	Electronic transmission shift
FET	Field effect transistor
GPS	Global positioning system
HID	High intensity discharge
HS CAN	High speed controller area network bus
IC	Instrument cluster
IMT	Intake manifold tuning
IP	Instrument panel
PV6	Petrol engine - V6
PV8	Petrol engine - V8
PV8NA	Naturally aspirated engine - V8
PV8SC	Super charged engine - V8
LH	Left-hand
LIN	Local interconnect network
MAF/IAT	Mass air flow / intake air temperature
MS CAN	Medium speed controller area network bus
MMM	Navigation system module
N/A	Normally aspirated
NAS	North American specification
PDC	Park distance control
RF	Radio frequency
RH	Right-hand
SAI	Secondary air injection
SCL	Steering column locking
SDARS	Satellite digital audio receiver system
TPMS	Tire pressure monitoring system
TSD	Touch screen display
TV	Television
ULEV	Ultra low emission vehicle
USB	Universal serial bus
VICS	Vehicle information control system

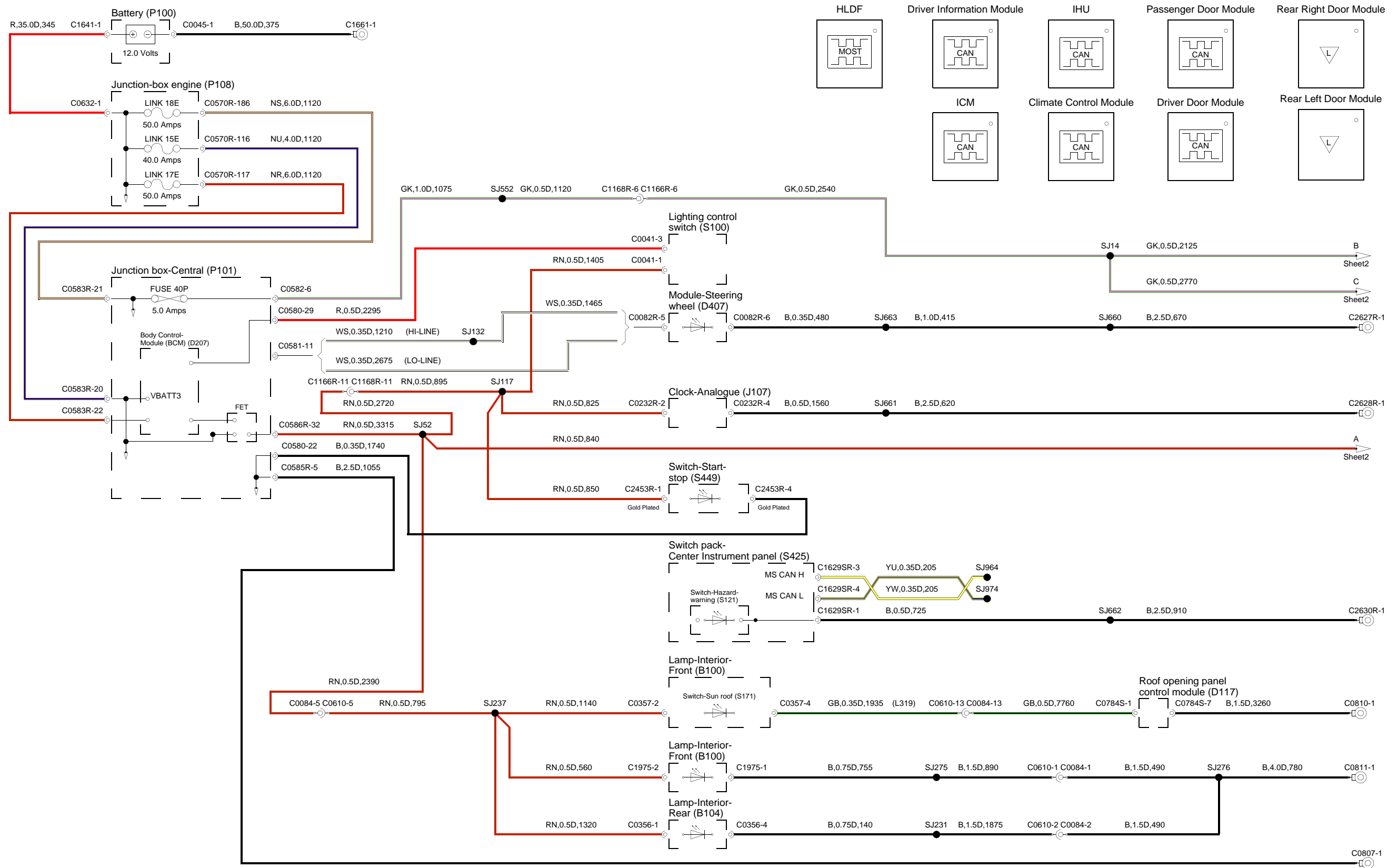


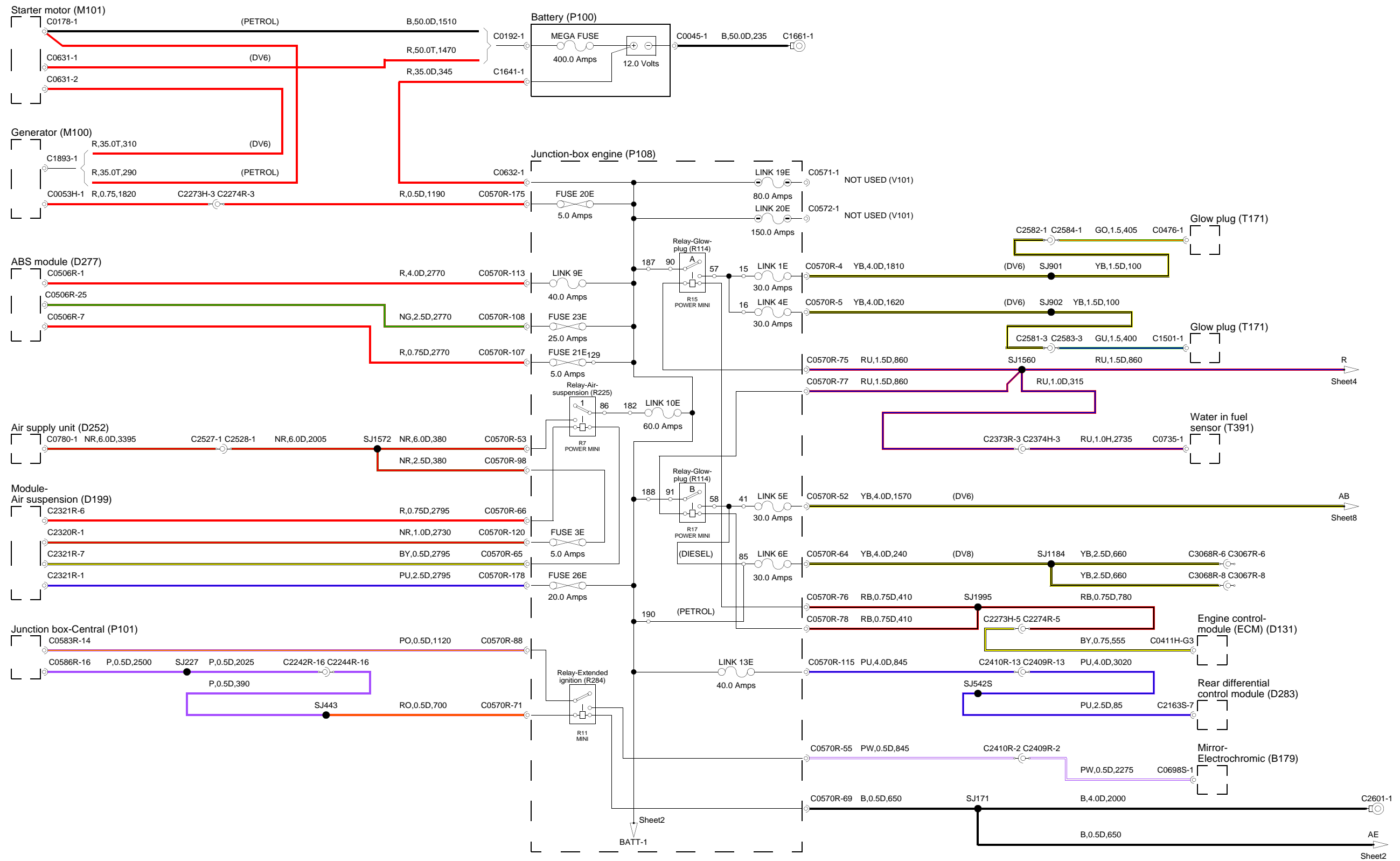


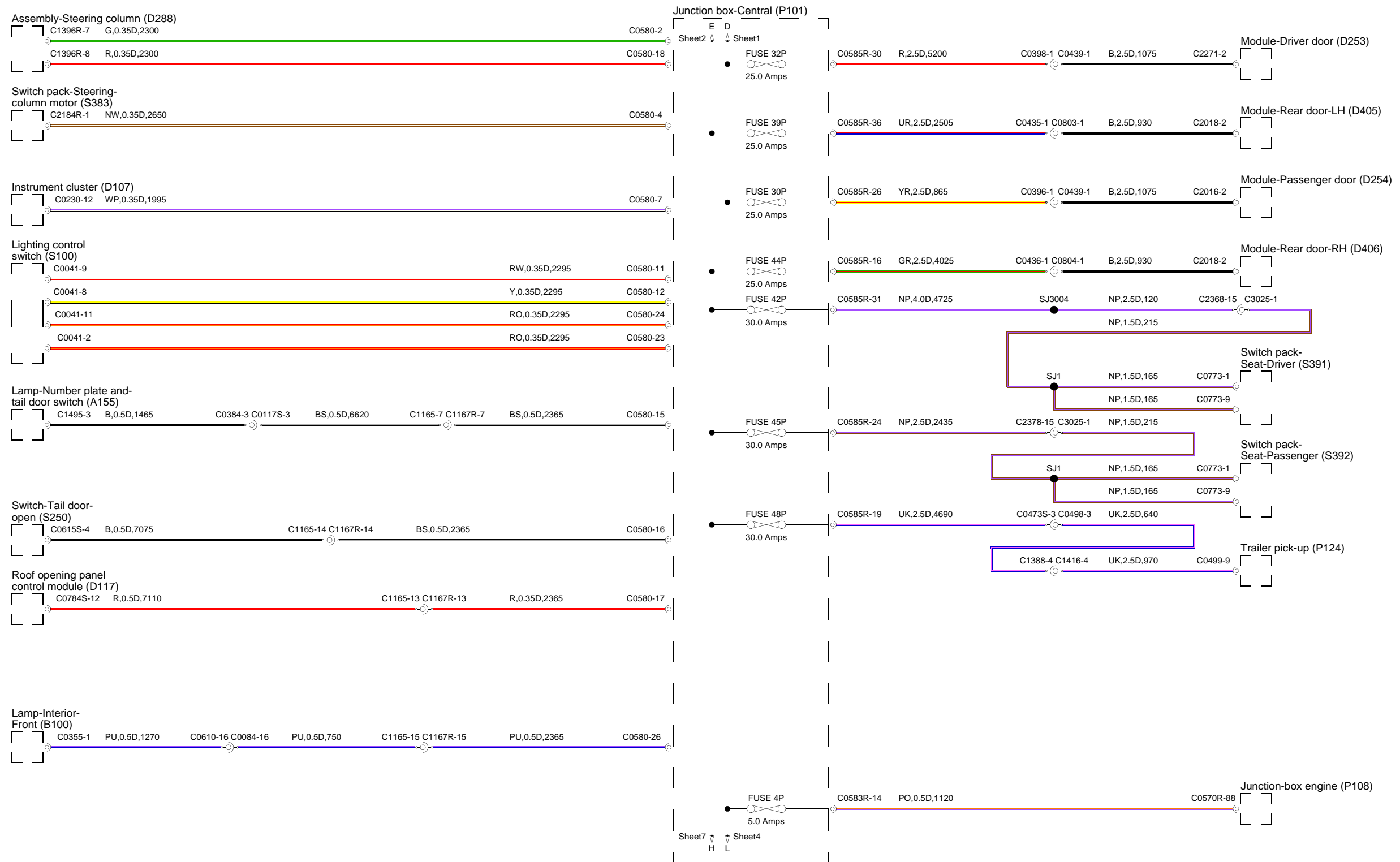


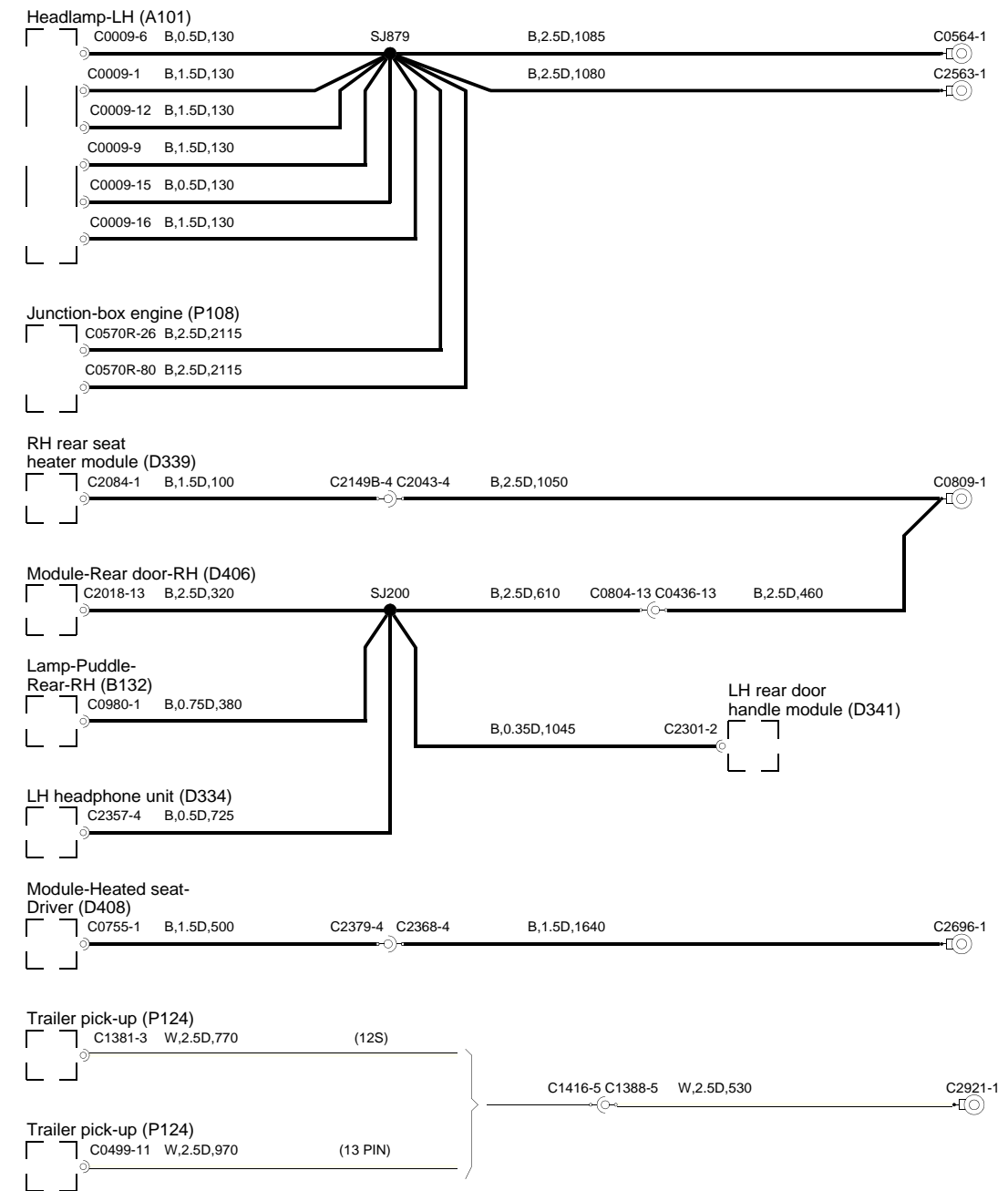
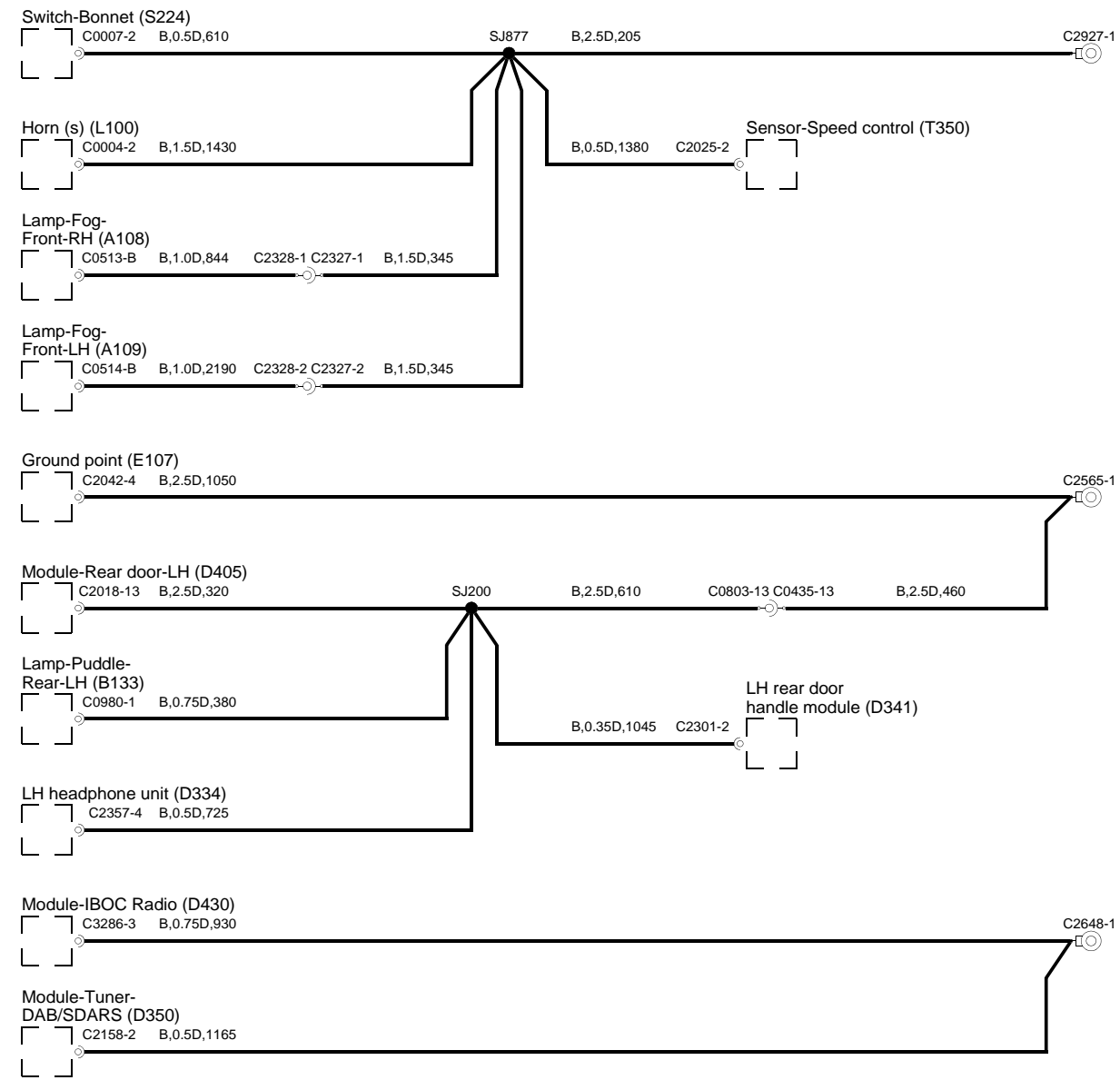




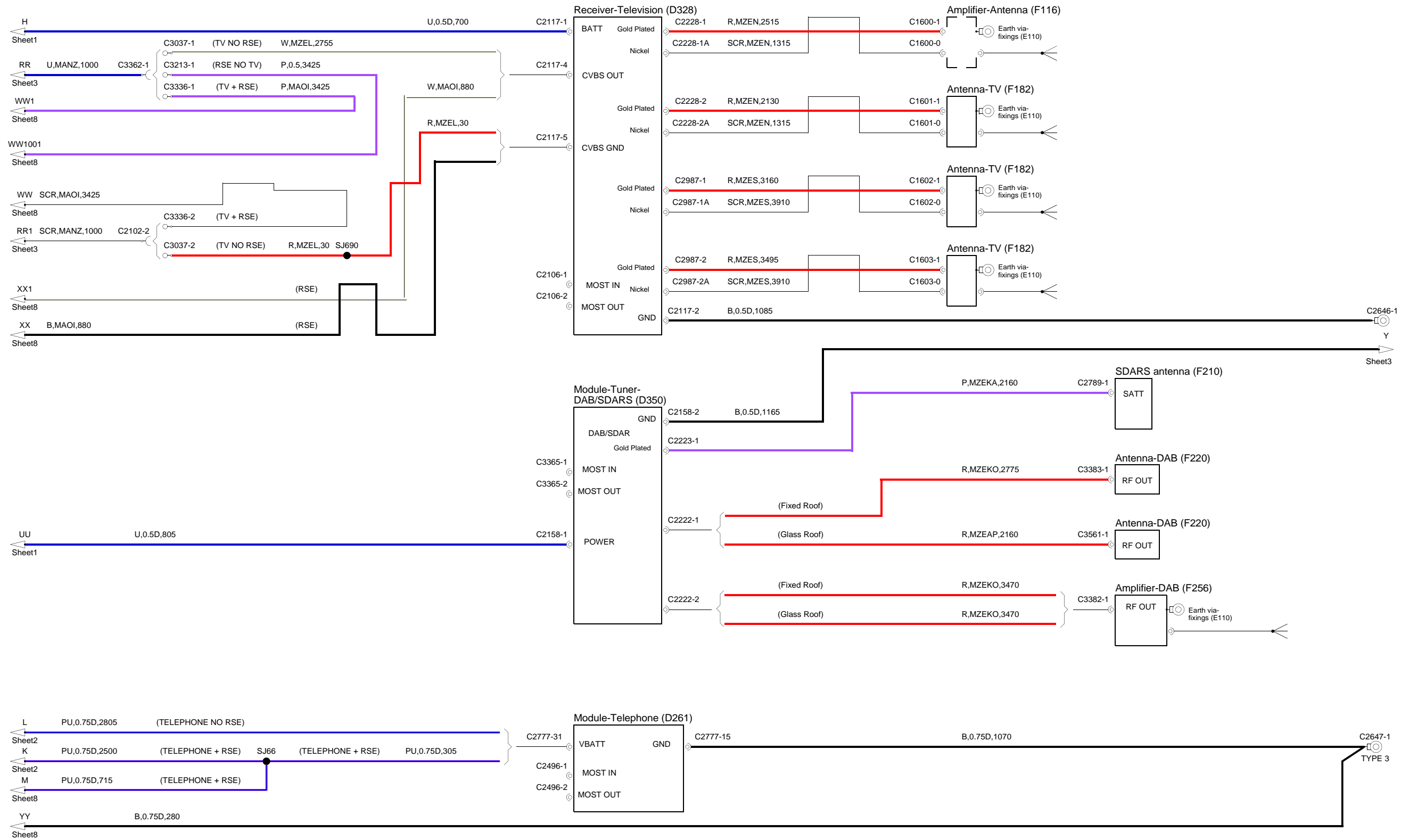


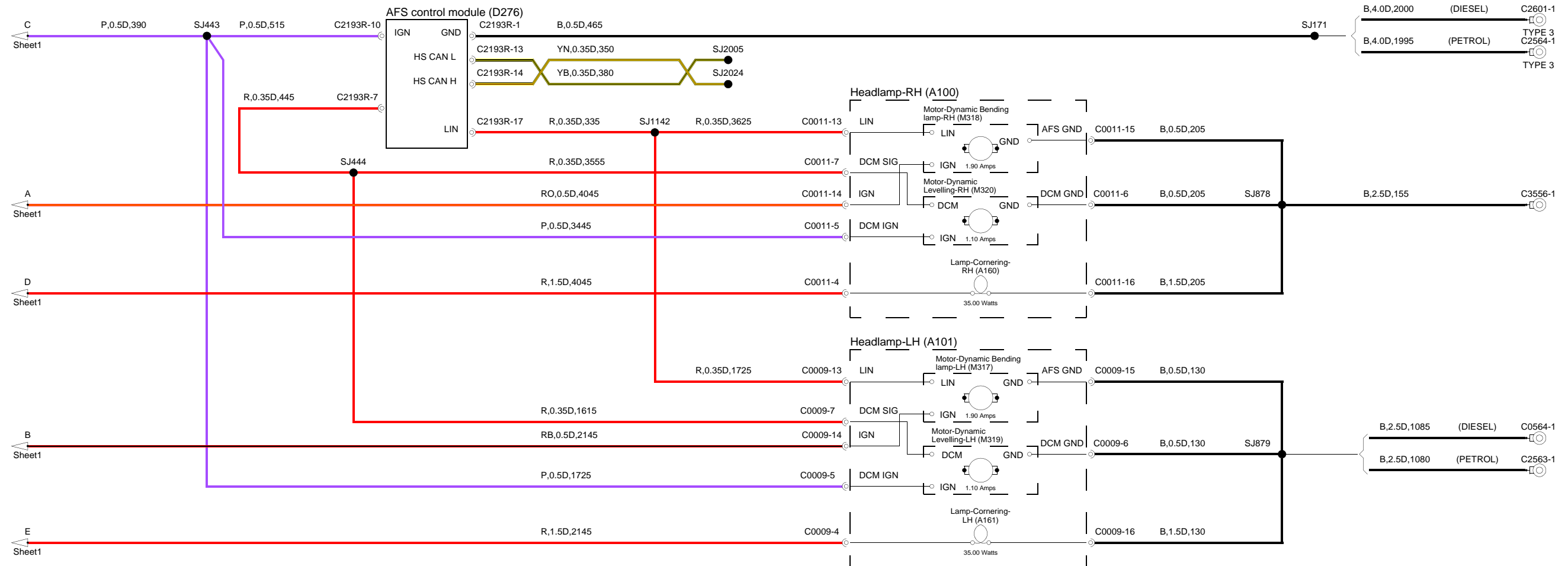


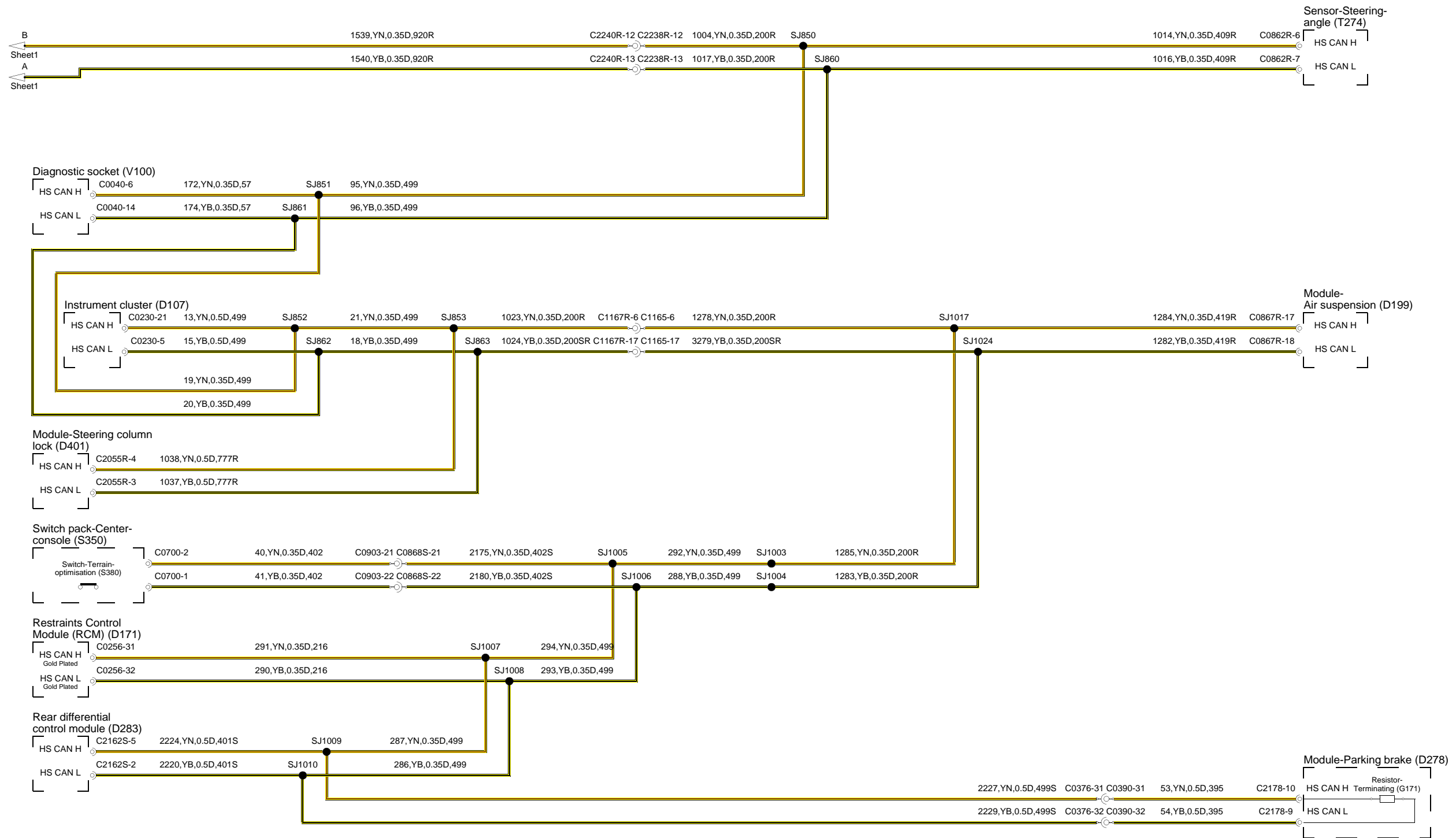


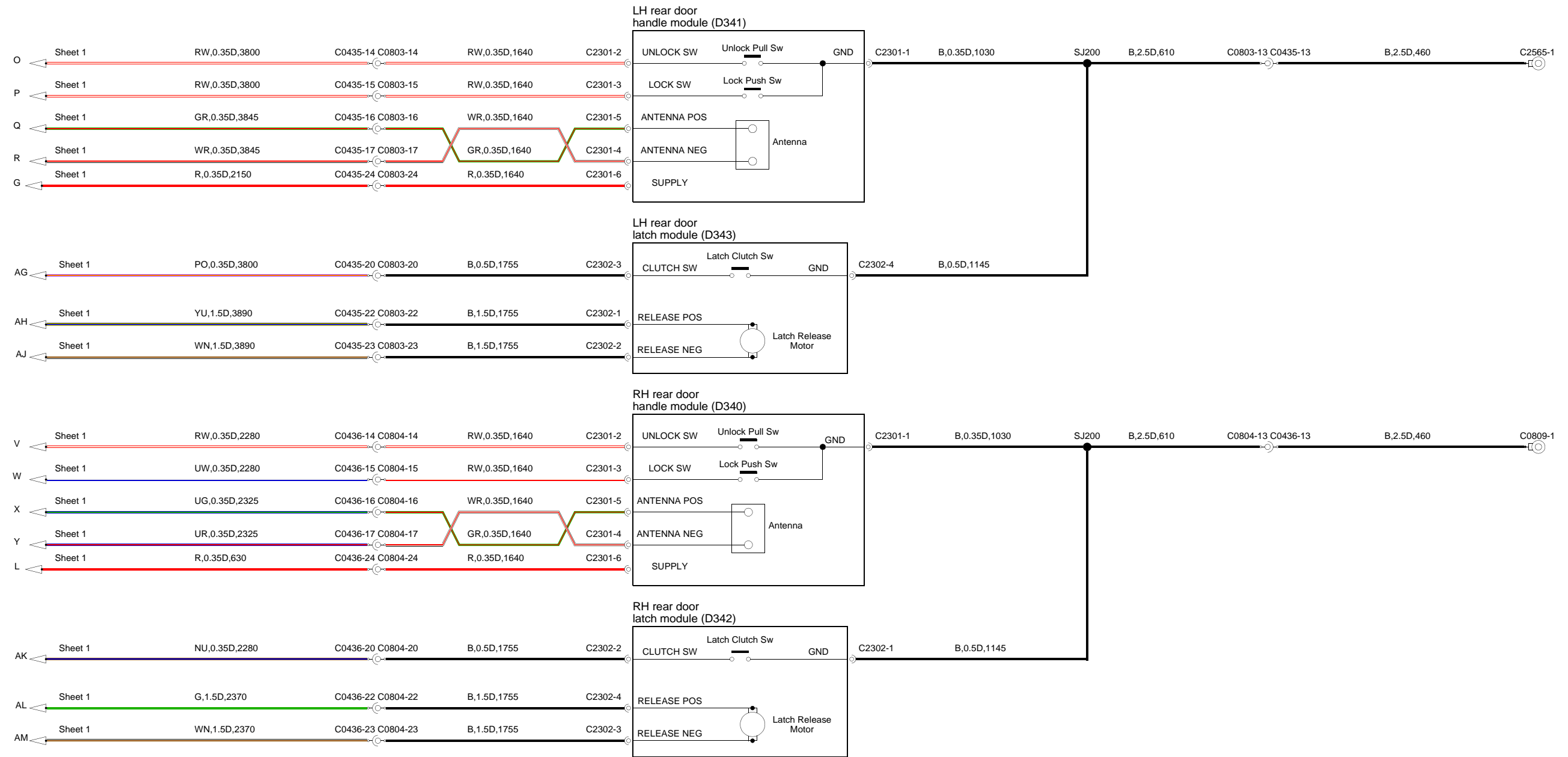


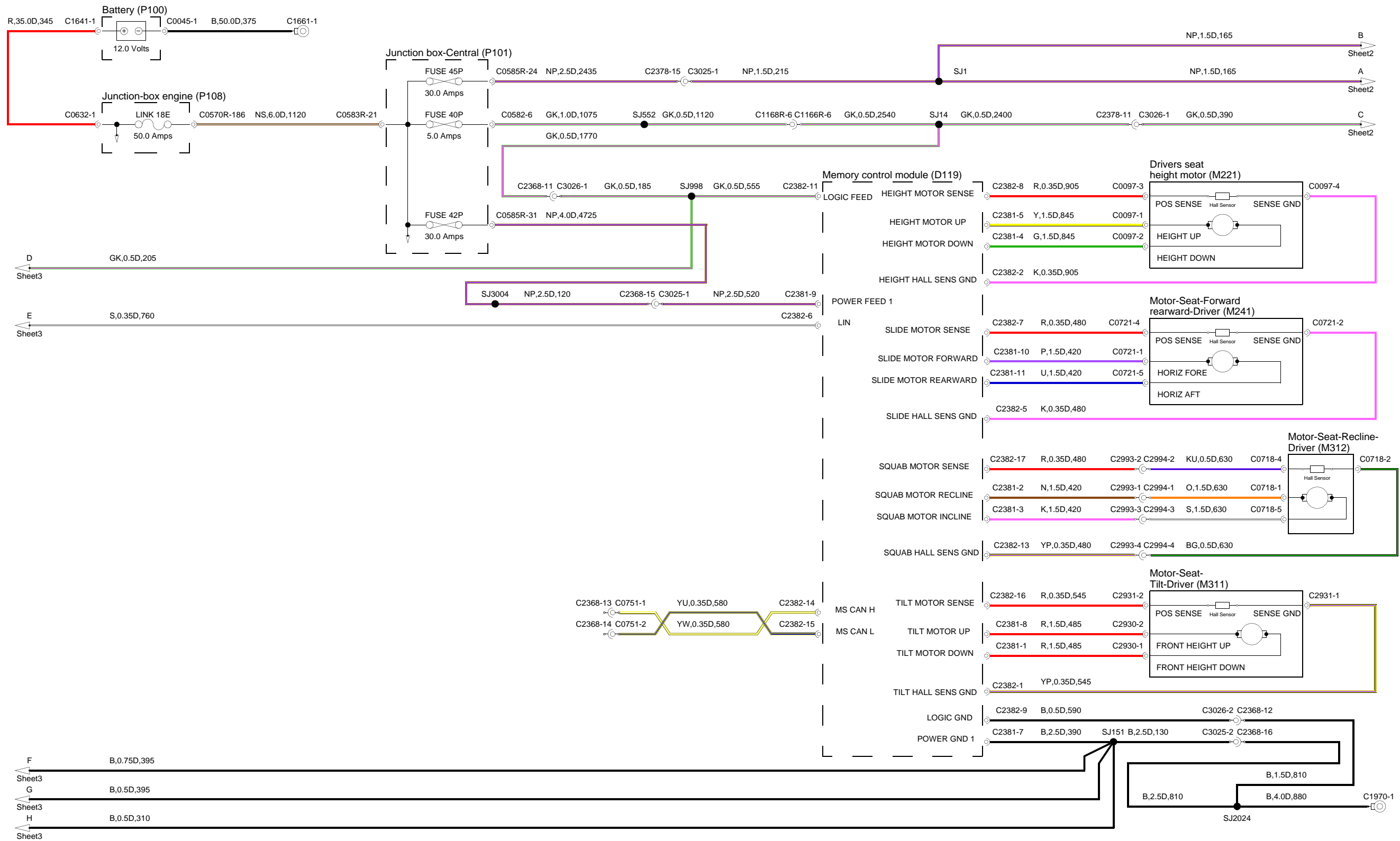


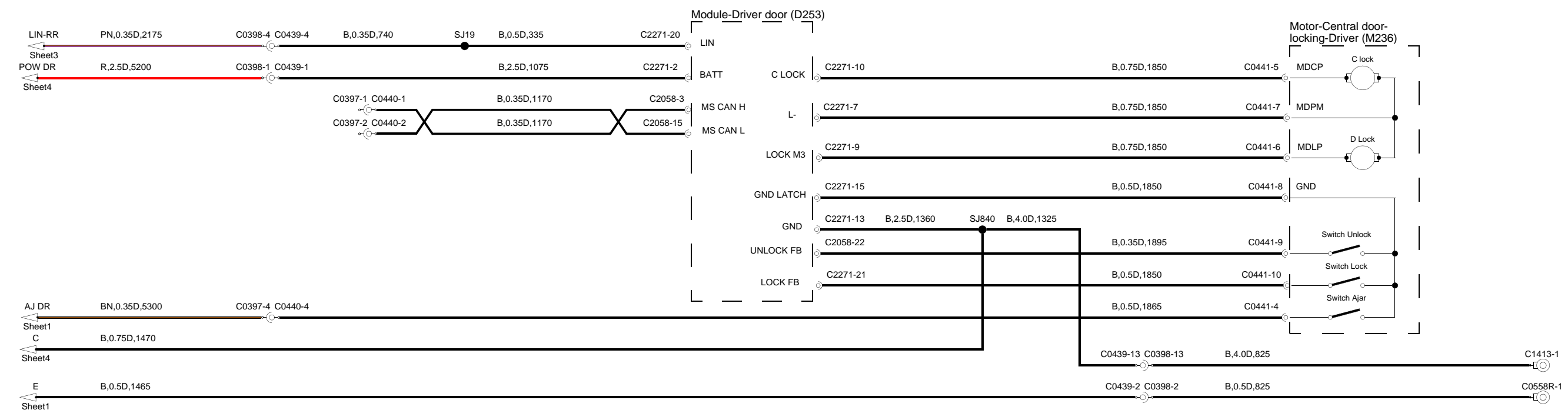
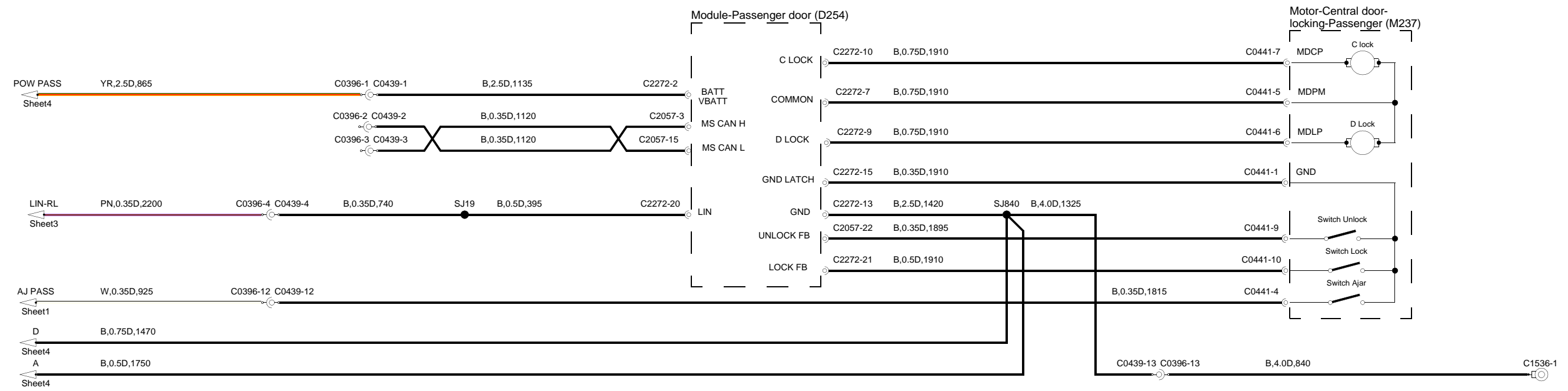












CLICK HERE TO **DOWNLOAD** THE COMPLETE MANUAL

- Thank you very much for reading the preview of the manual.
- You can download the complete manual from: www.heydownloads.com by clicking the link below



- Please note: If there is no response to CLICKING the link, please download this PDF first and then click on it.

CLICK HERE TO **DOWNLOAD** THE COMPLETE MANUAL



Electrical Wiring Diagrams



DISCOVERY 4 (RHD)

(1b) VIN: 524545 >

USING THIS PUBLICATION

Section numbering

The sections in this publication are ordered to match the Global Outline numbering system as found in the current Workshop Manual. The Power and Ground distribution circuits can be found under section 414-01, BATTERY, MOUNTING AND CABLES.

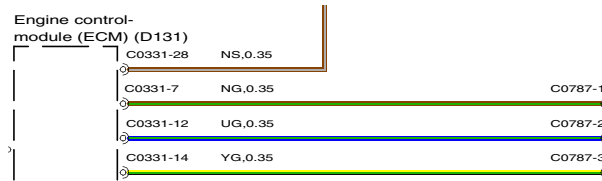
Note: Where circuit diagrams show more than one sub-system, the circuit will be located in the section that carries the first-named sub-system, for example: Starting and Charging will be located under section 303-06 Starting System, since 'Starting' is the first-named sub-system.

Circuit sheet numbering

The figures in brackets to the left of the page number indicate a circuit sheet number and the total number of sheets per circuit, for example (01 / 05) represents sheet 1 of 5.

Understanding the circuit diagrams

Components



After each component description, a translation code is displayed in brackets, for example: Starter relay (R102), Engine control module (ECM)(D131). The codes can be ignored.

Note: A dotted outline indicates that the component identified is not shown in its entirety.

Connectors

Connectors and header joints are identified by their corresponding connector number with a numbered suffix to indicate the pin-out detail of the wire, i.e. C0292-1 identifies connector 292, pin number 1. Wire insulation colours are listed in a table at the end of this section. Where wires have a predominant colour with a secondary colour tracer, the main colour is identified first, i.e. WH-BK - white with a black tracer.

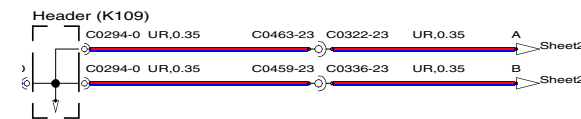
Wire length (Power and Ground Distribution only)

The wire length (in millimetres) is displayed after the colour and cross sectional area; for example, SR,0.35,480. In this example, the figure, 480 indicates the approximate position of the harness splice is 480mm from connector C2335.

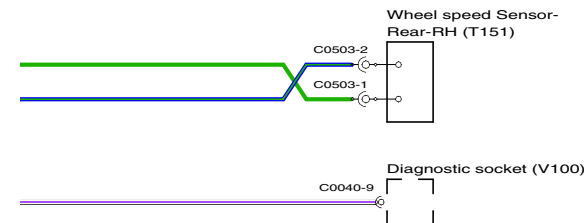
Line Types



Crossed wires as illustrated above show an example of how a twisted pair of wires may be represented on the circuits.



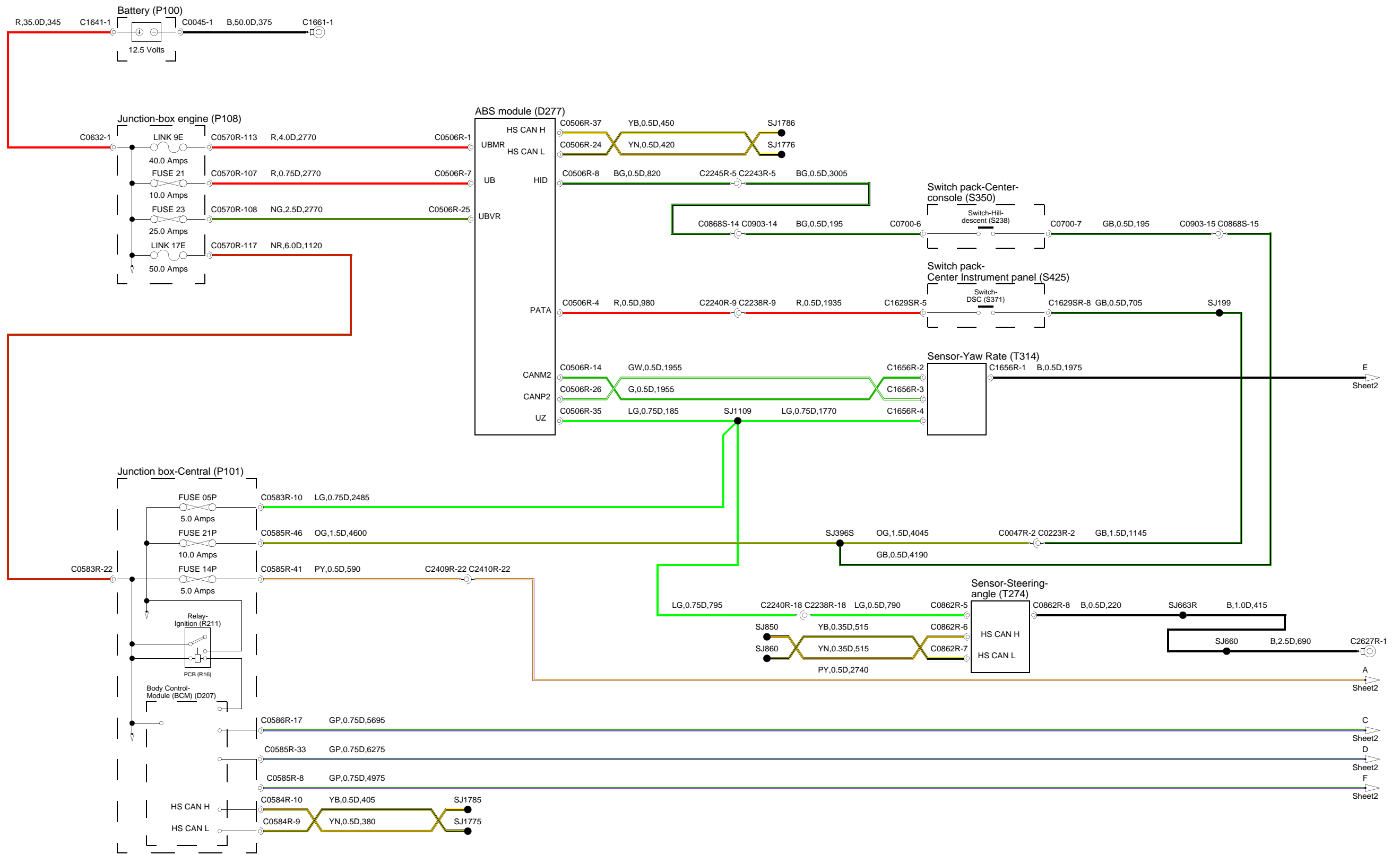
The arrows illustrated above show an example of the page break symbols, identifying that the circuit continues at the corresponding letter on the sheet number indicated.

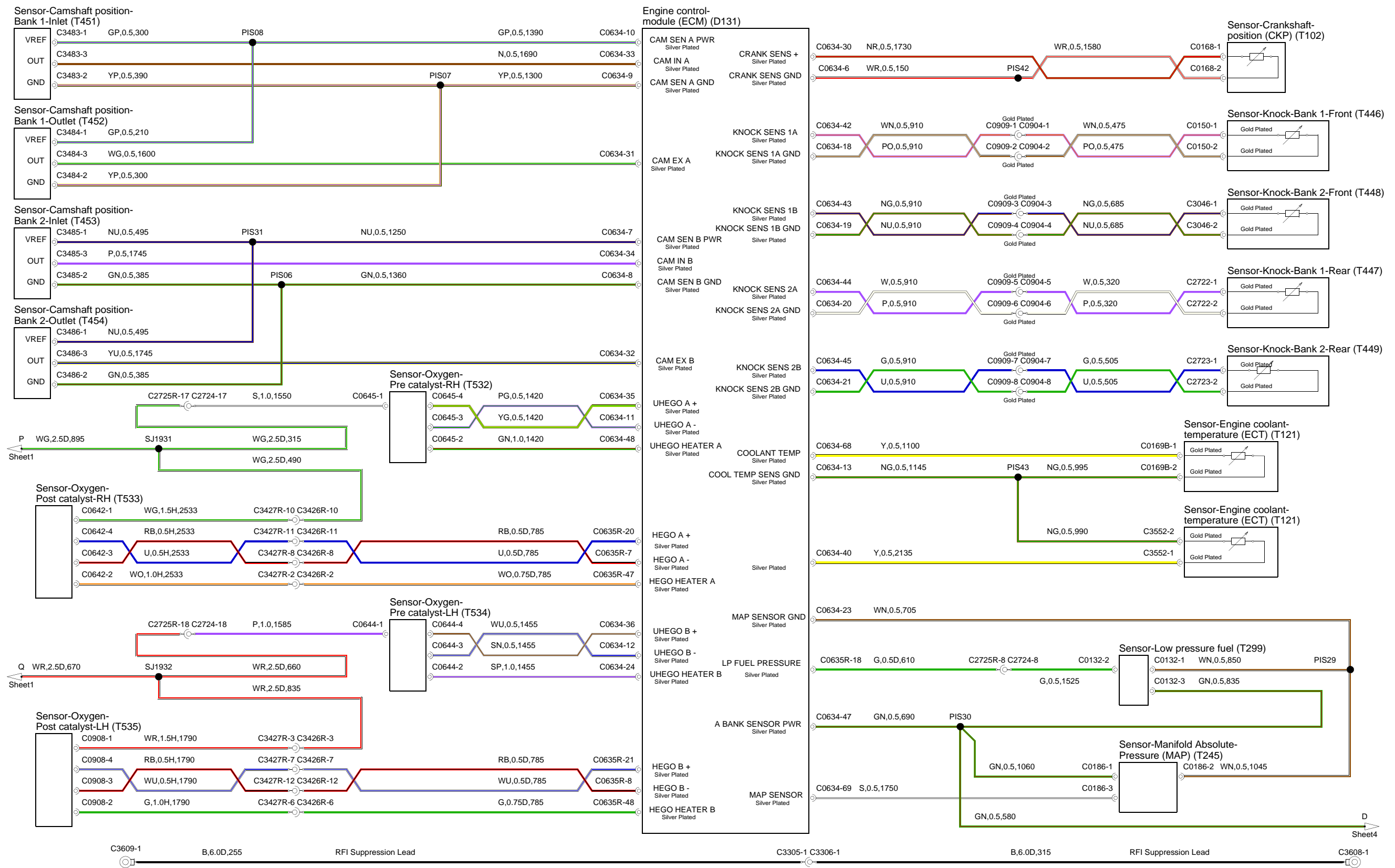


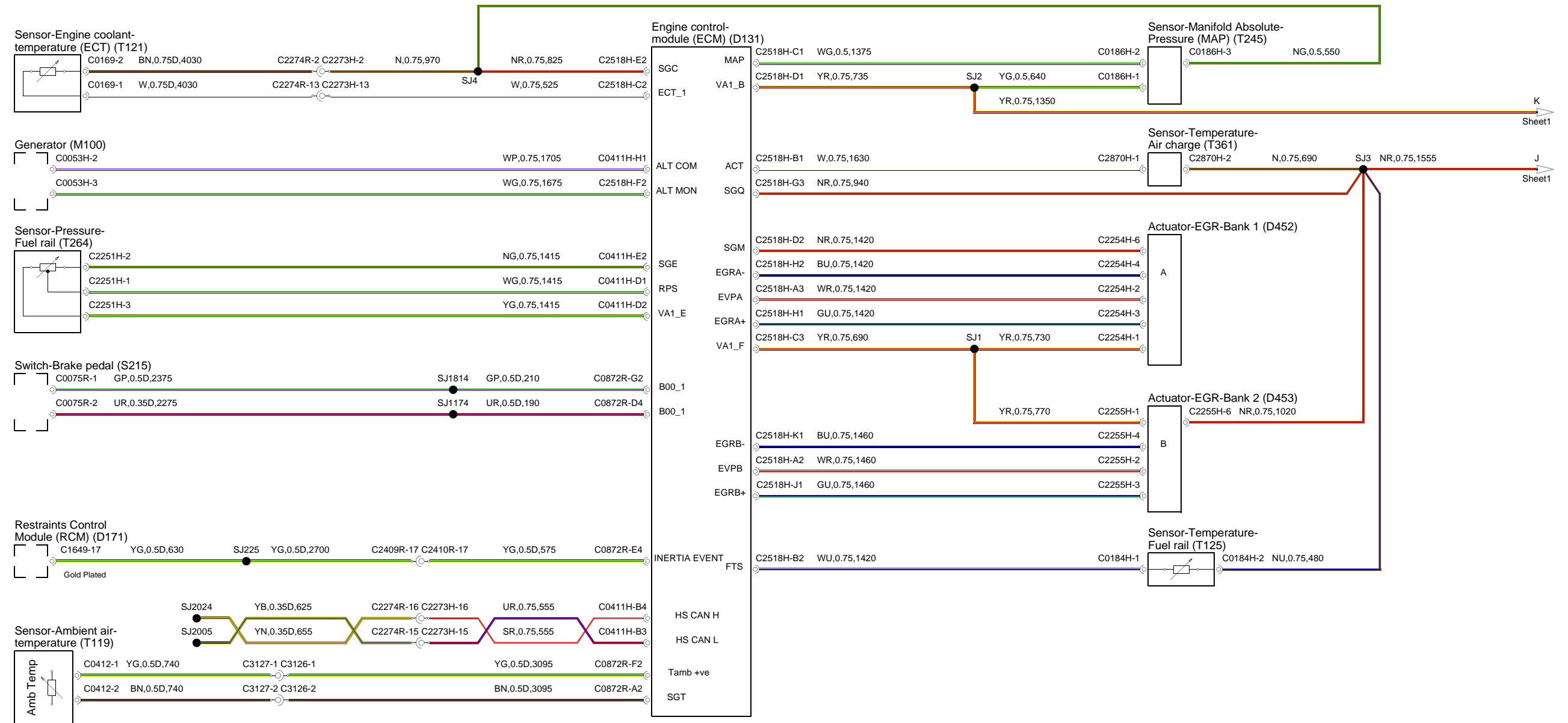
The cup and ball symbol represents the male and female halves of connector. Most connectors plug directly into a component but some are wired directly to the component using a 'flylead' as with C503 above.

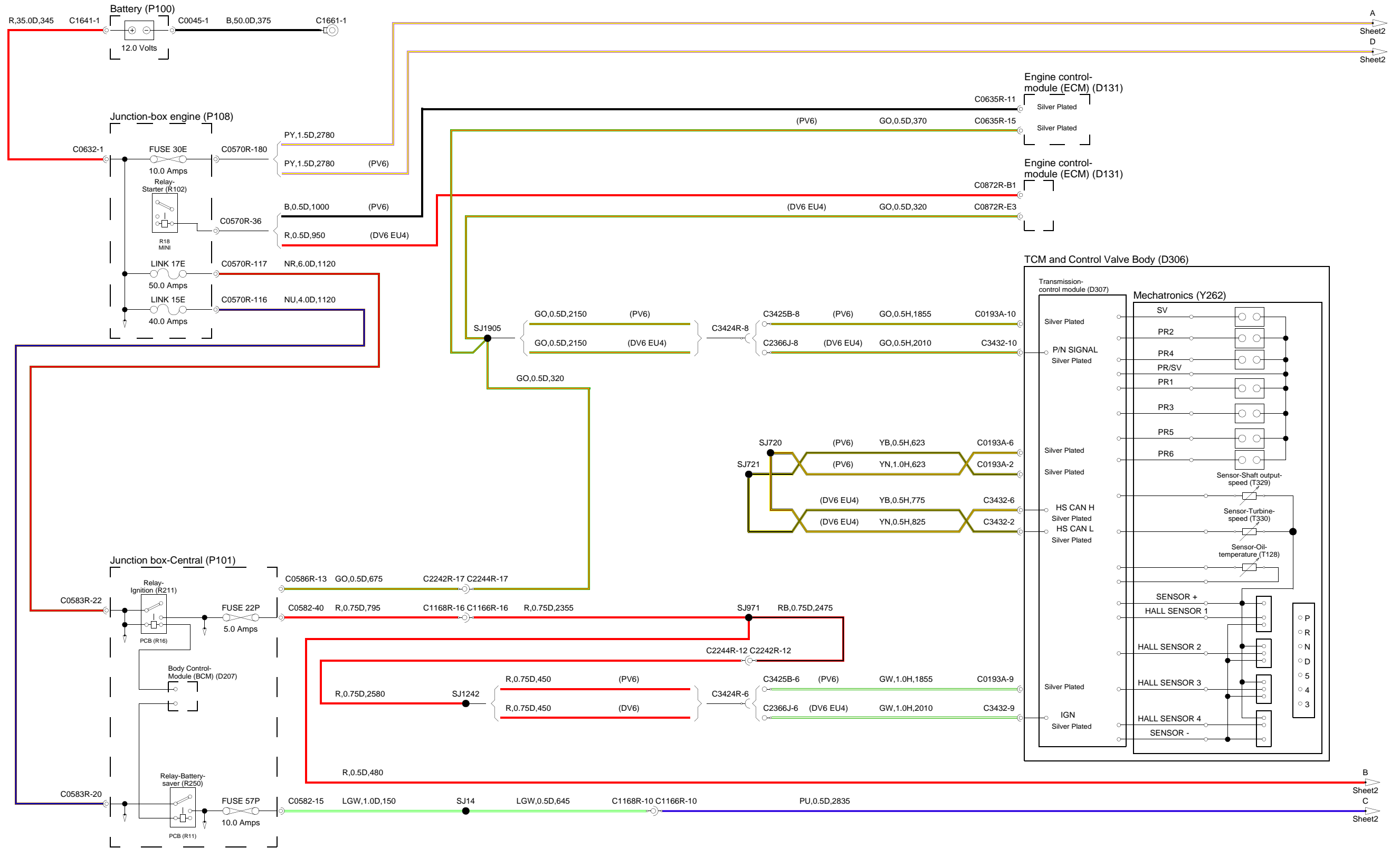
Ground points

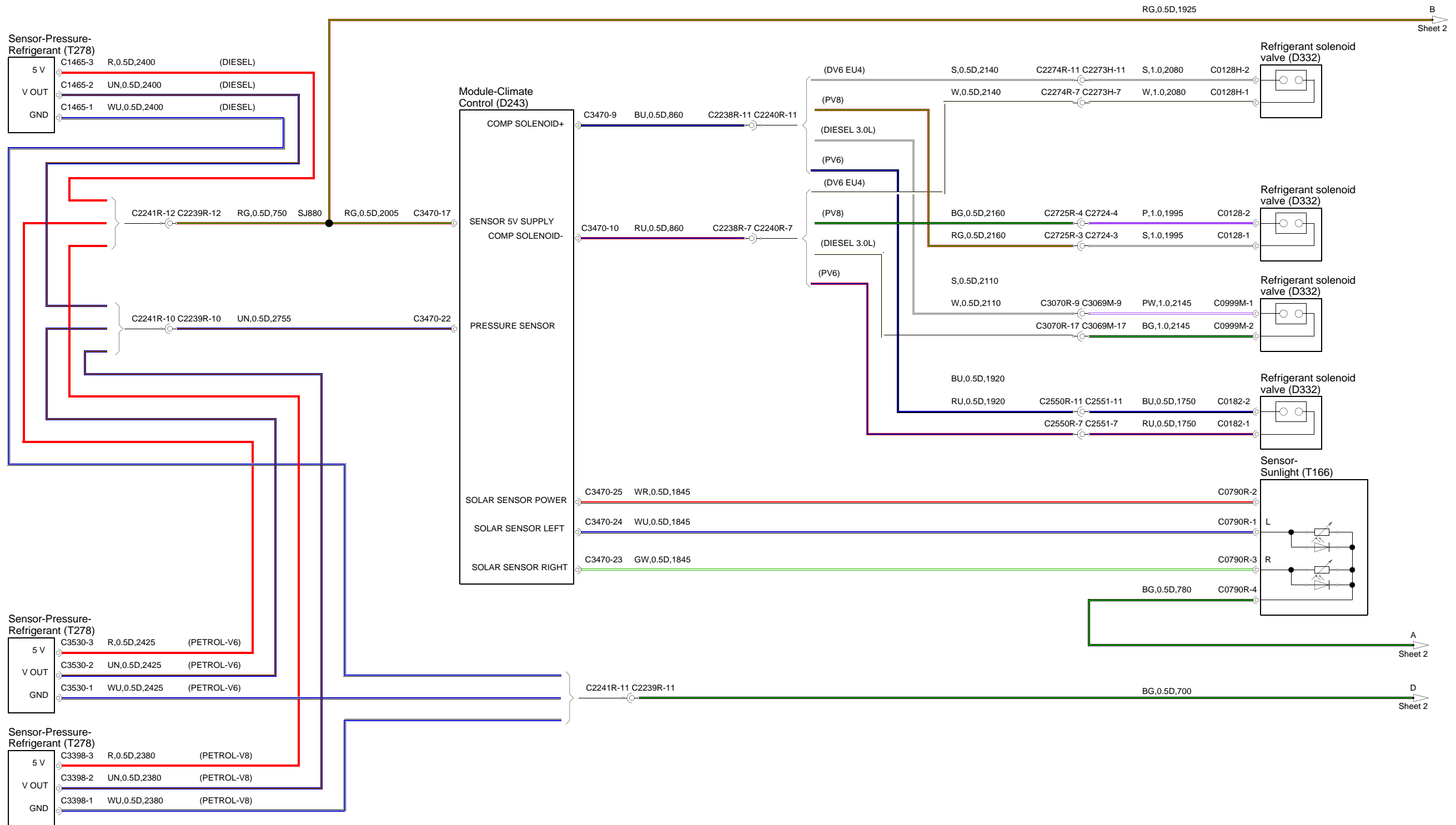
Ground points are identified with an eyelet symbol and a connector number, except where components are grounded through its fixings, when only the eyelet is shown.

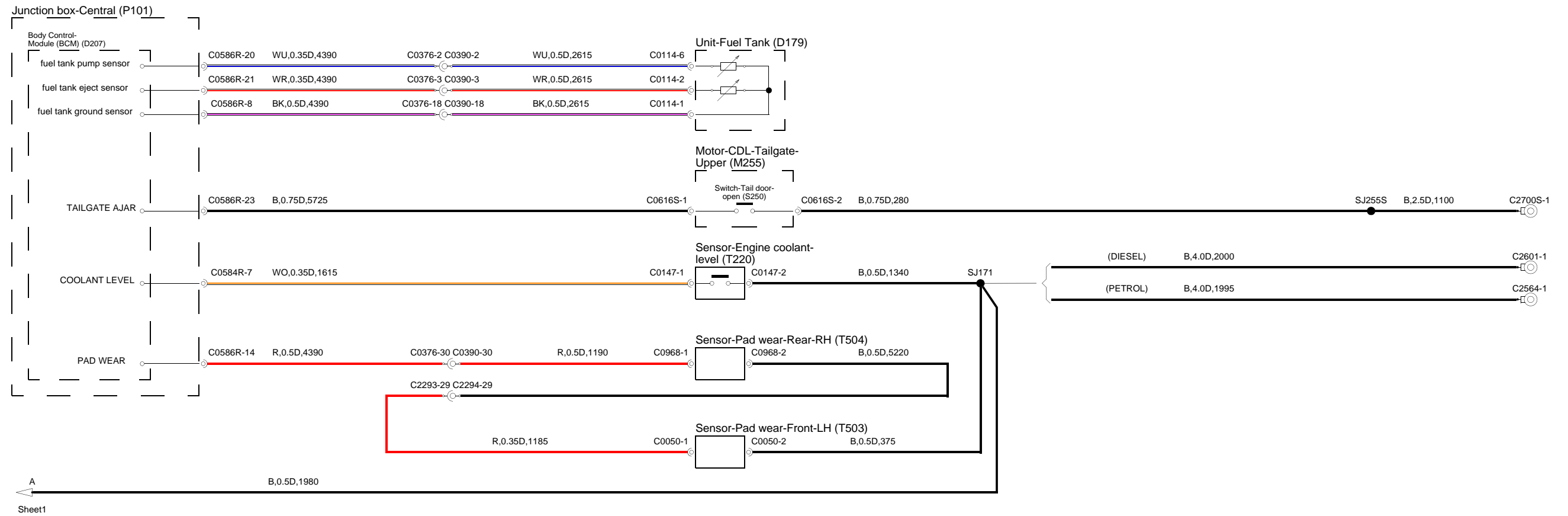


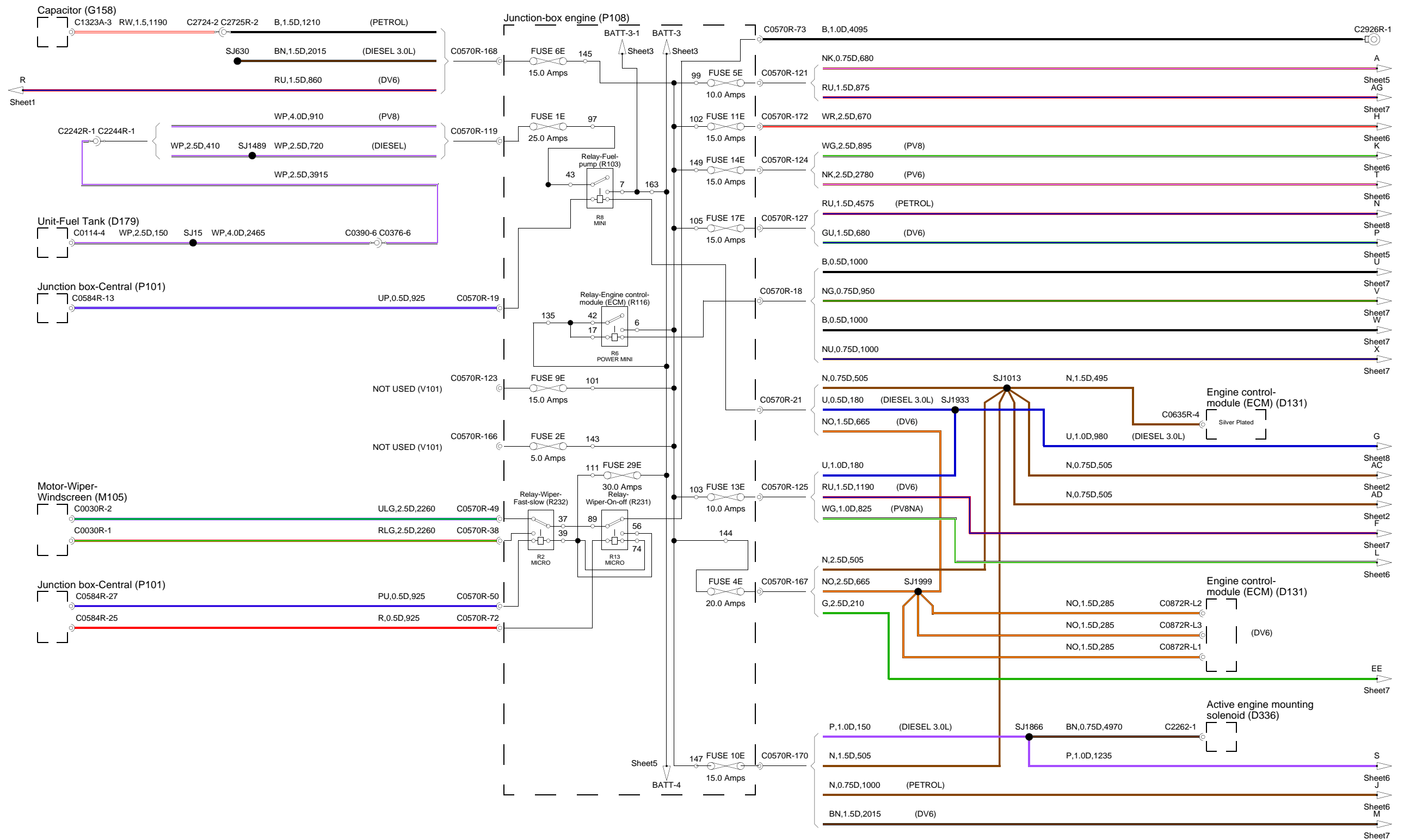


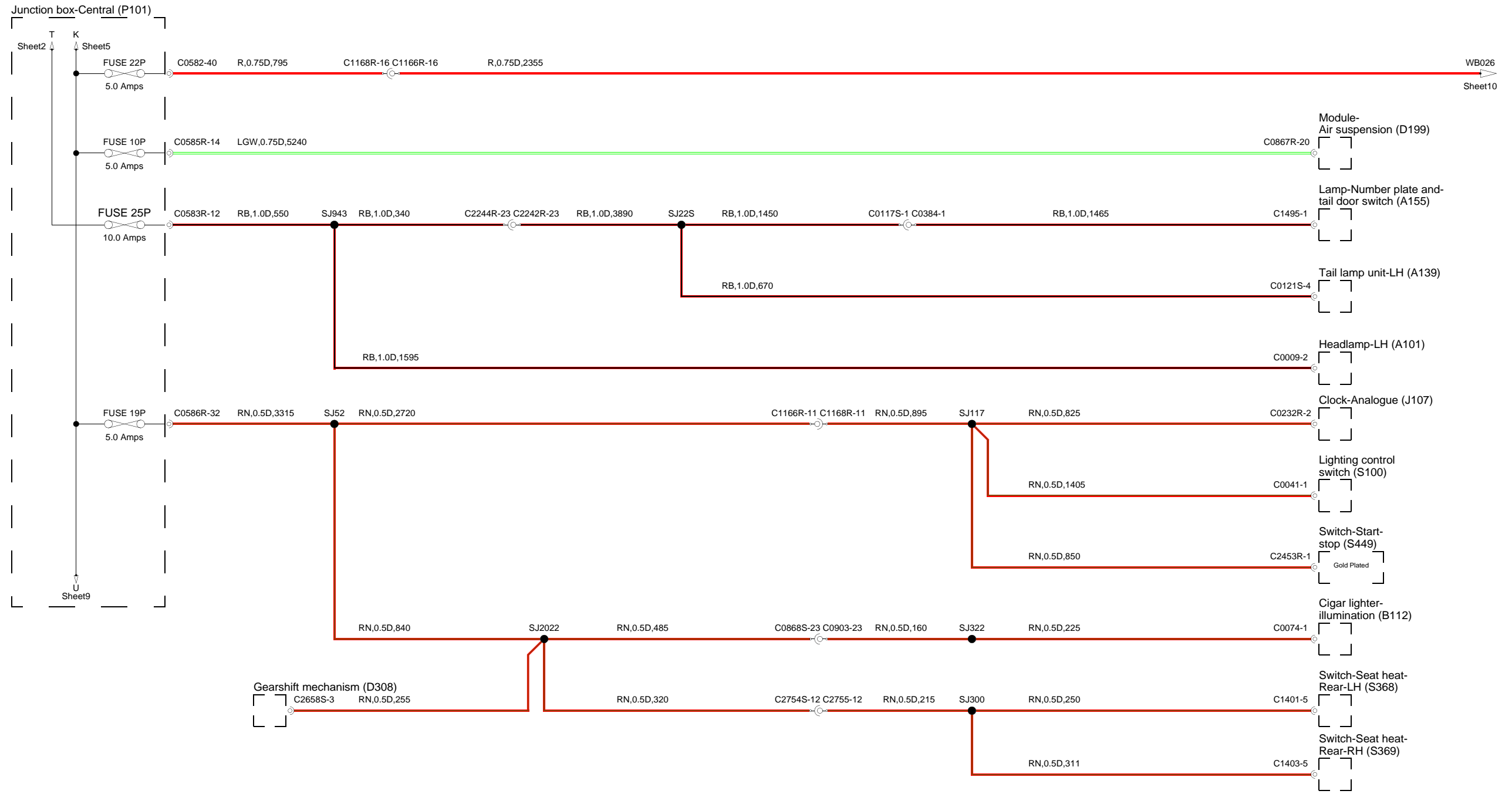


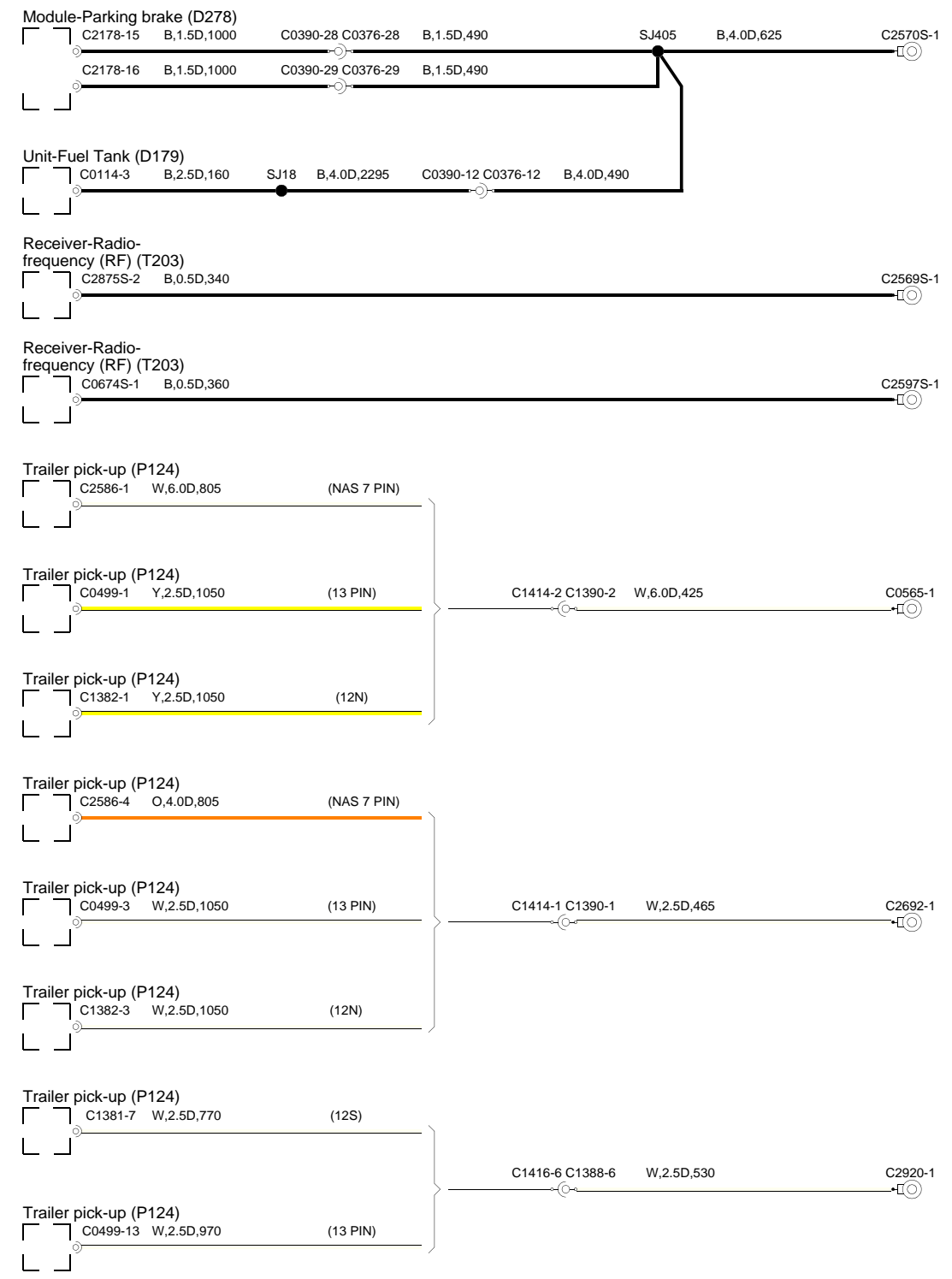
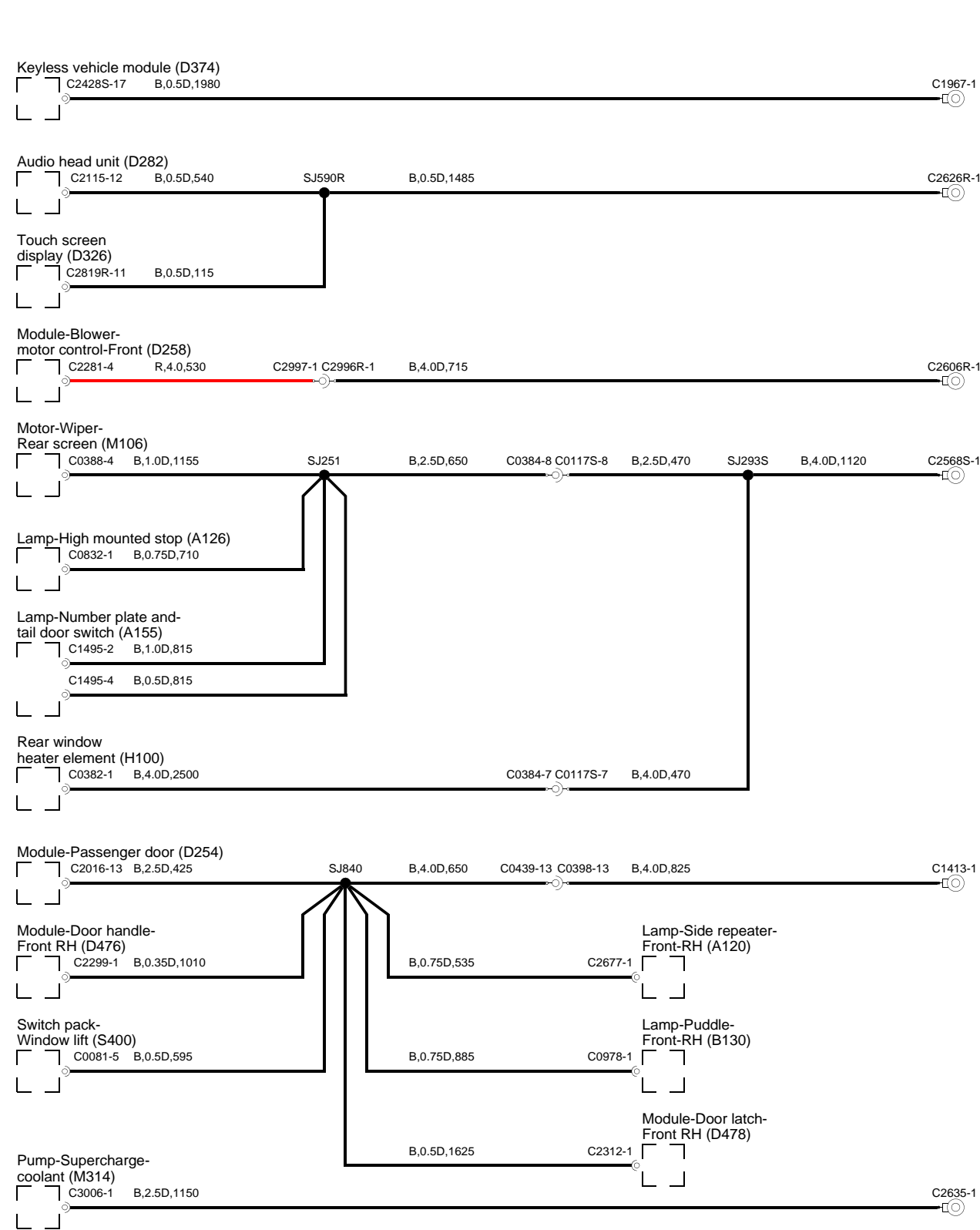


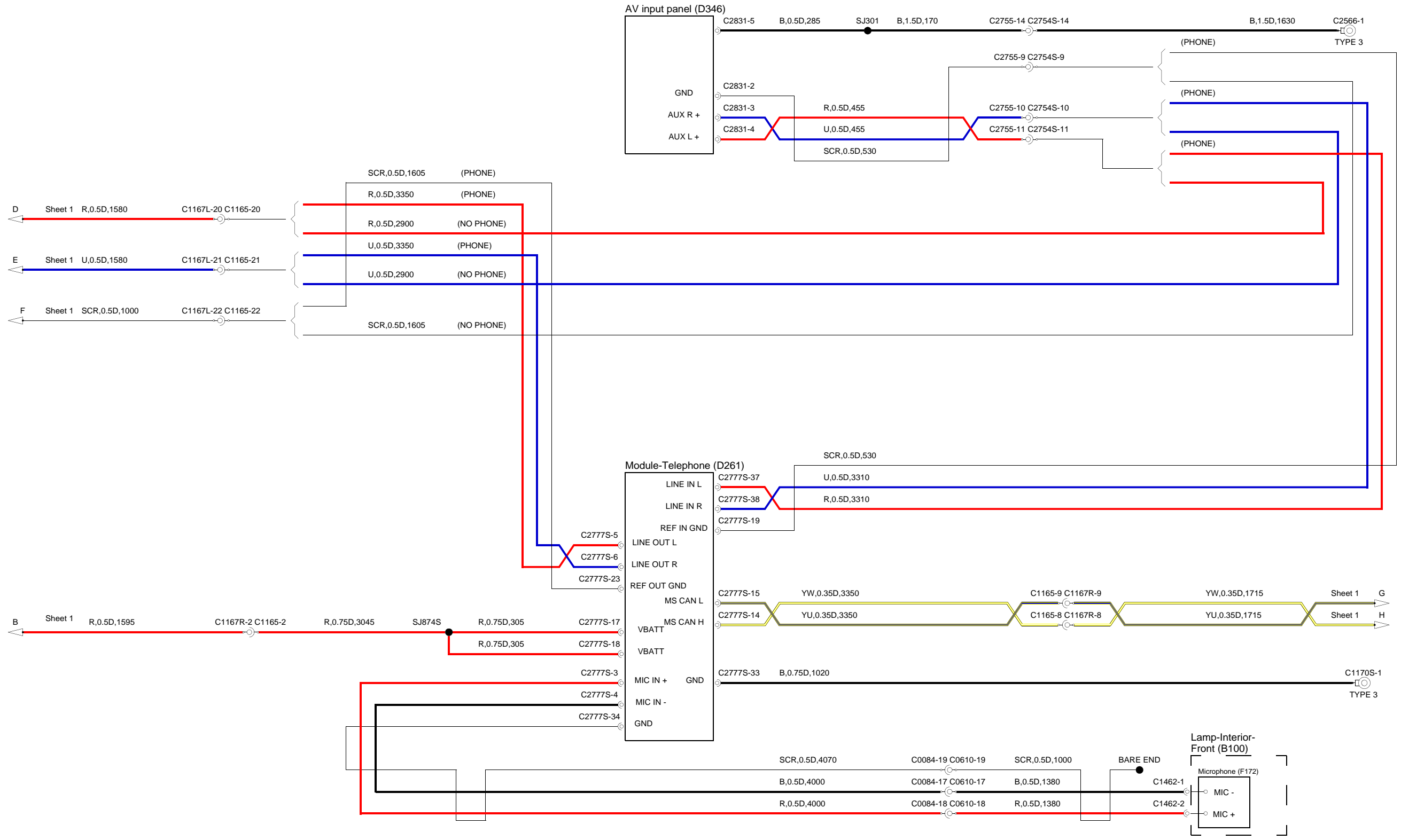


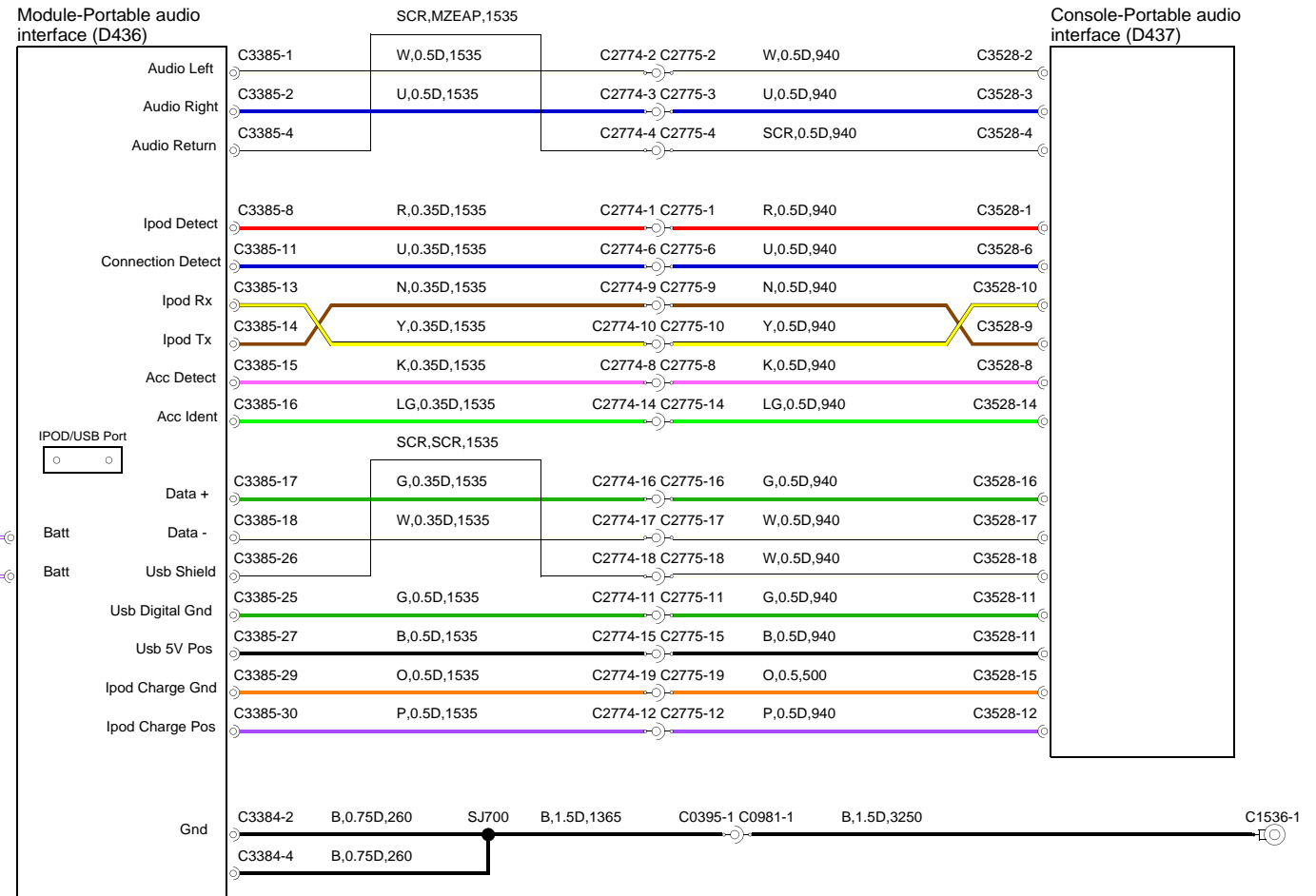
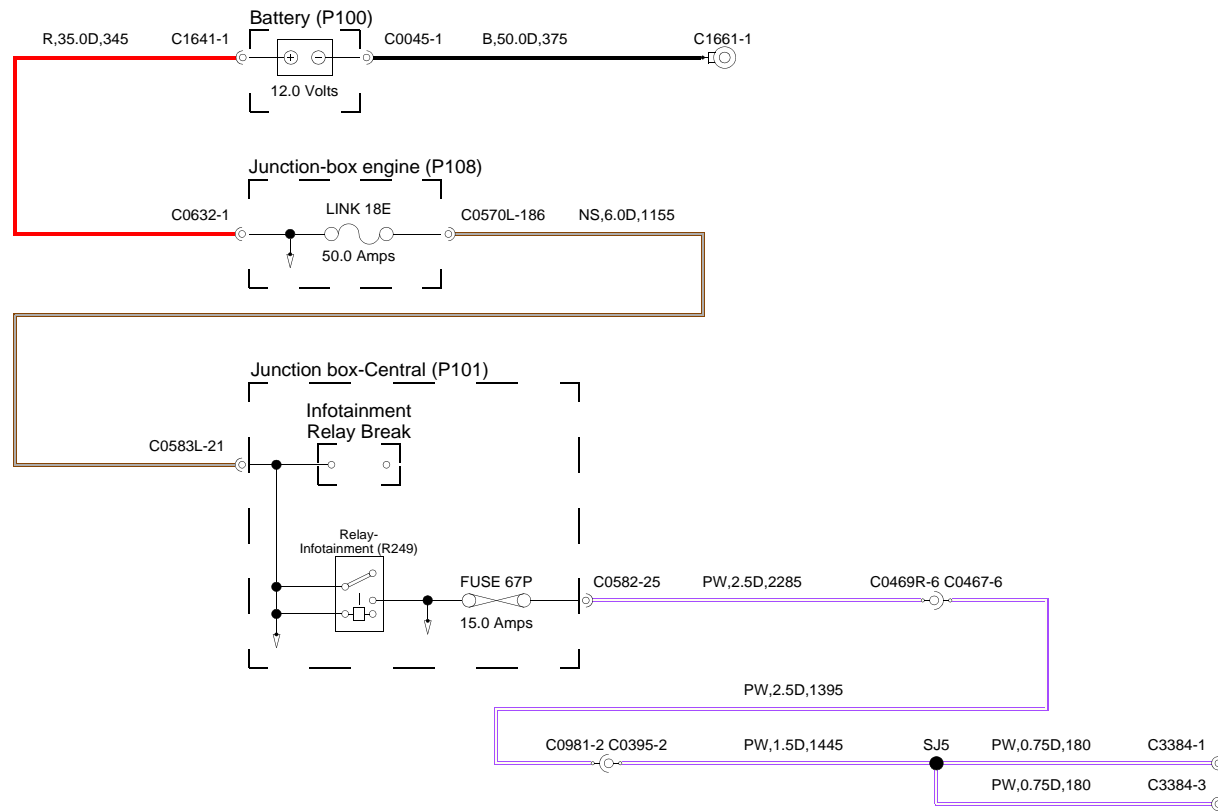


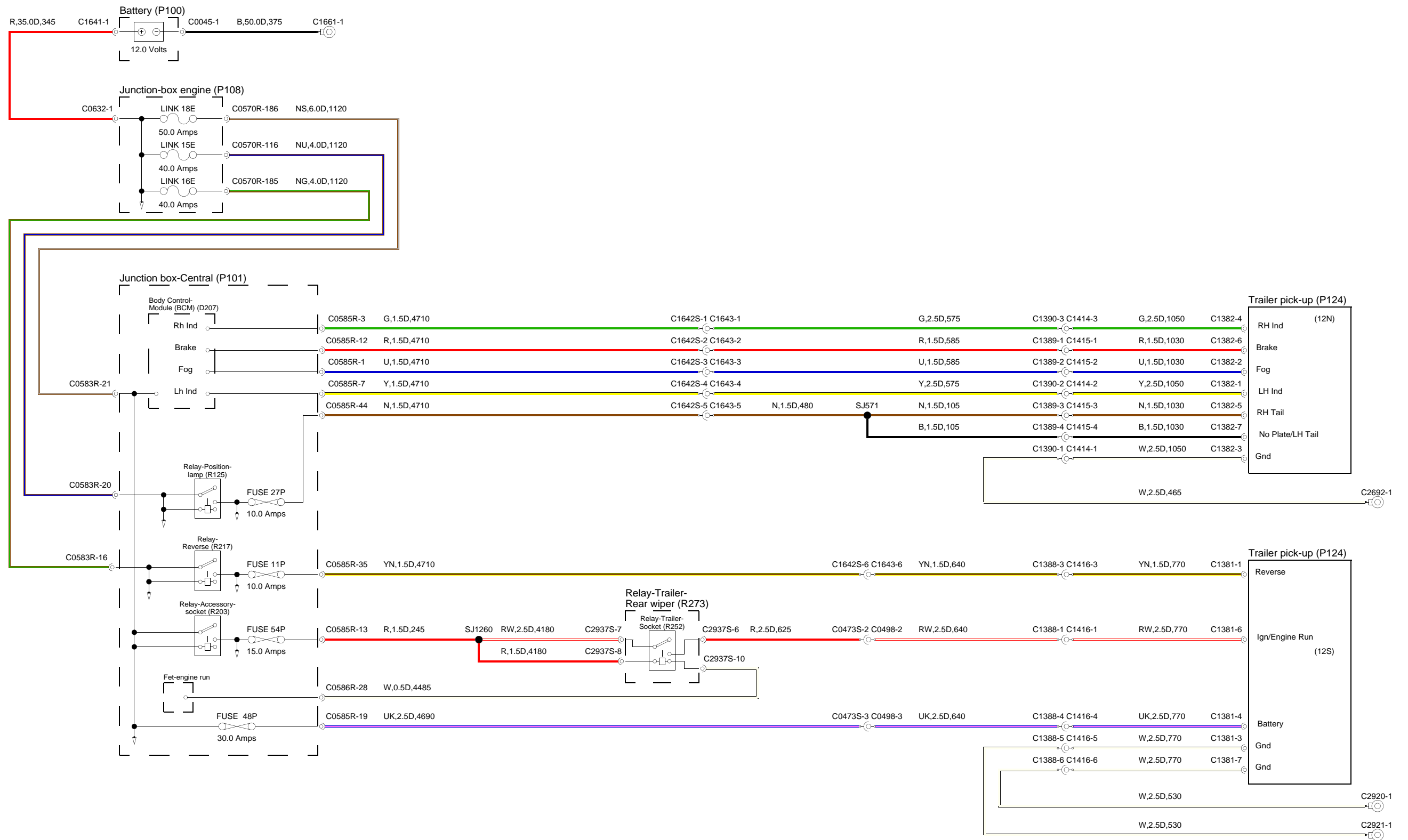


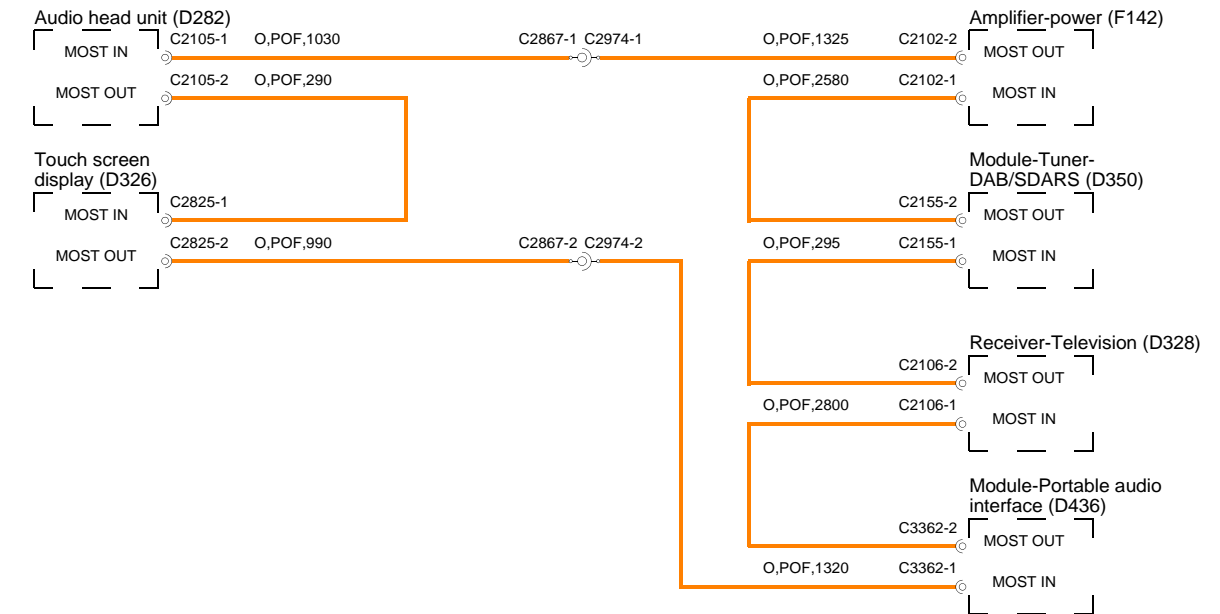
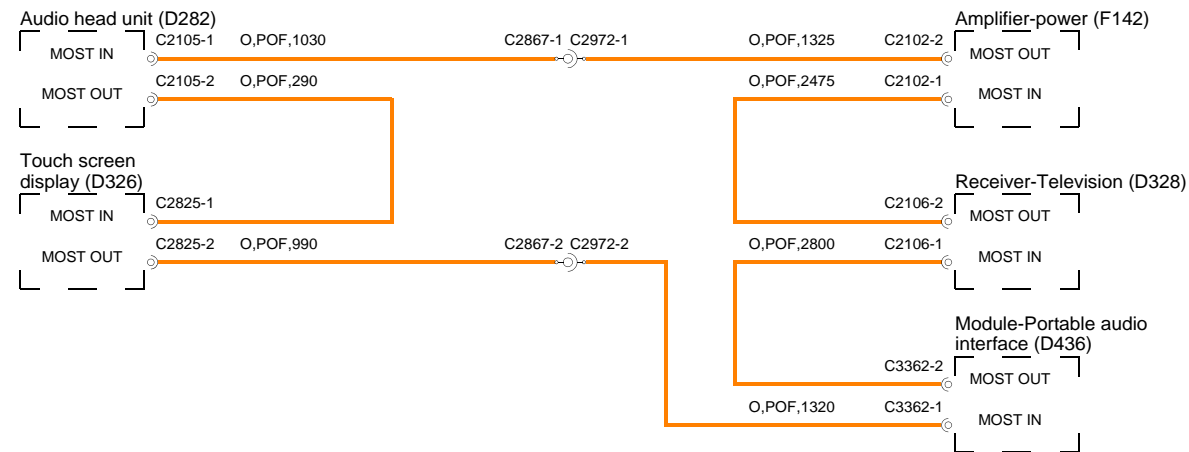
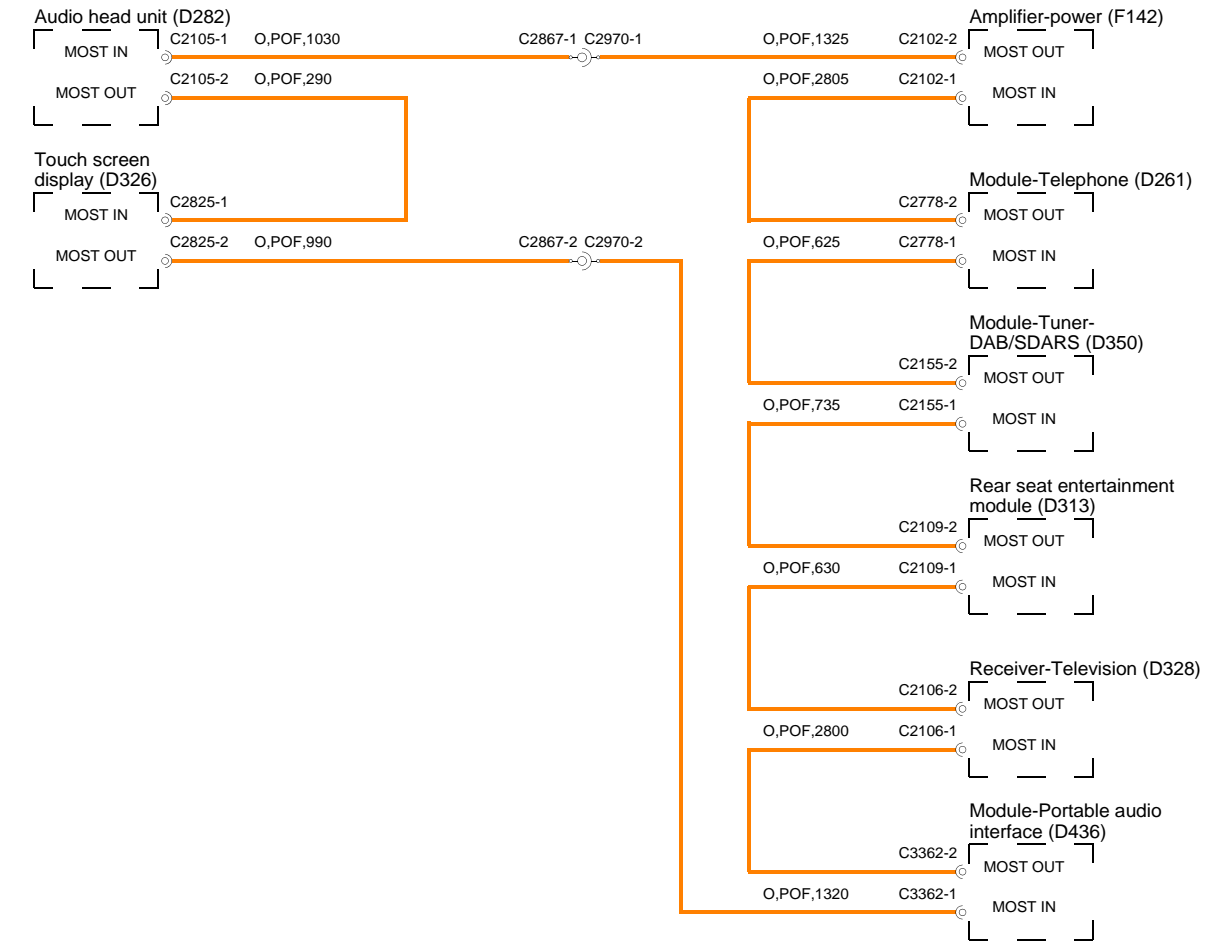
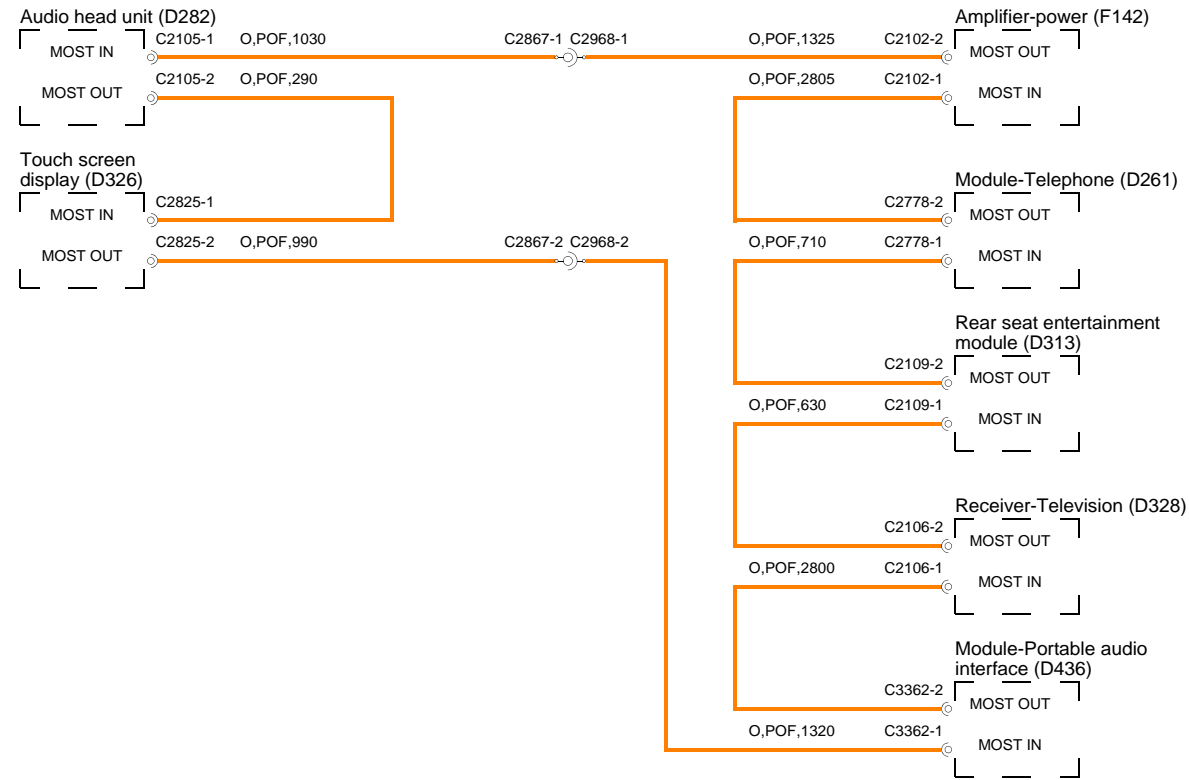


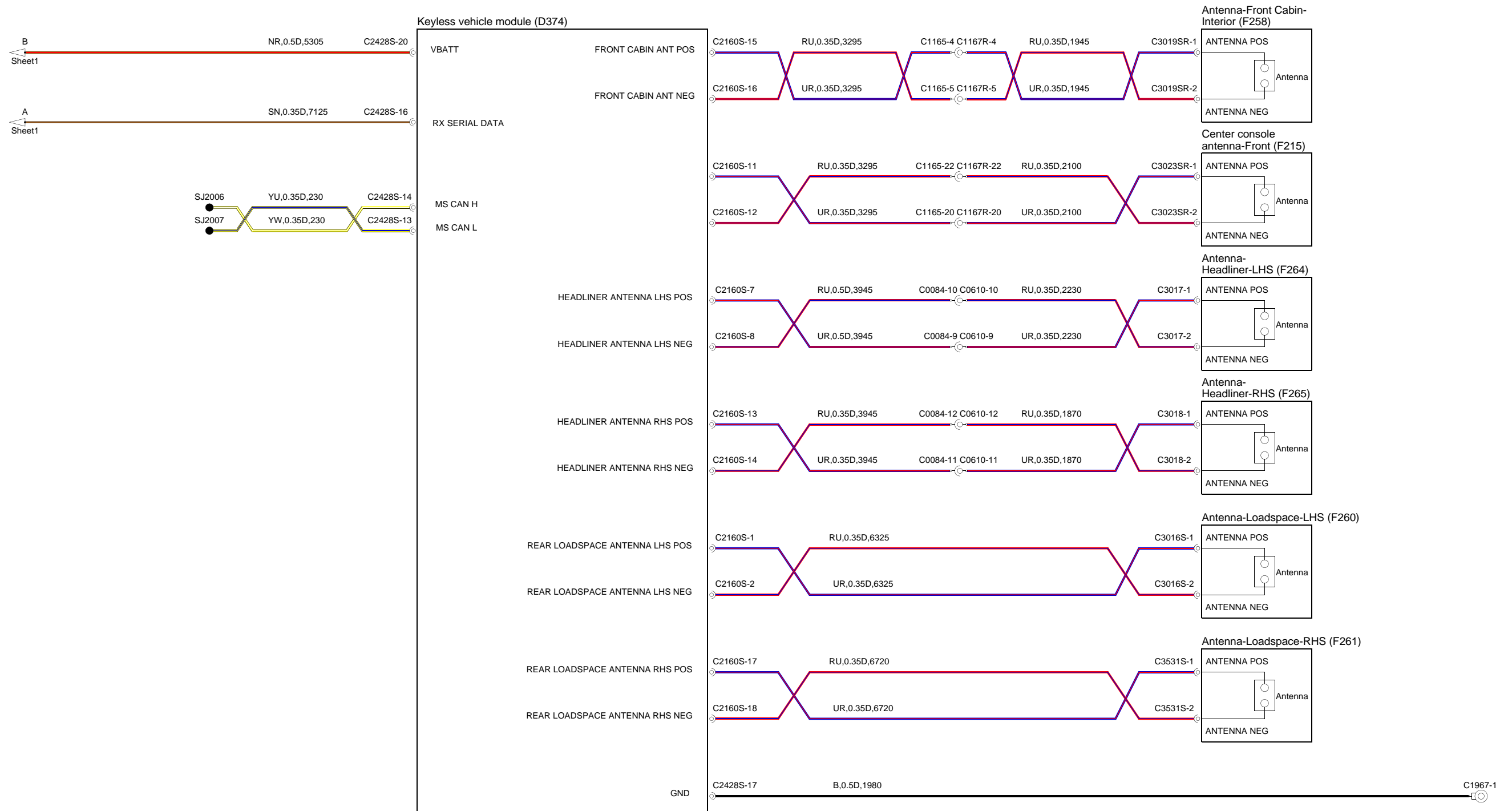


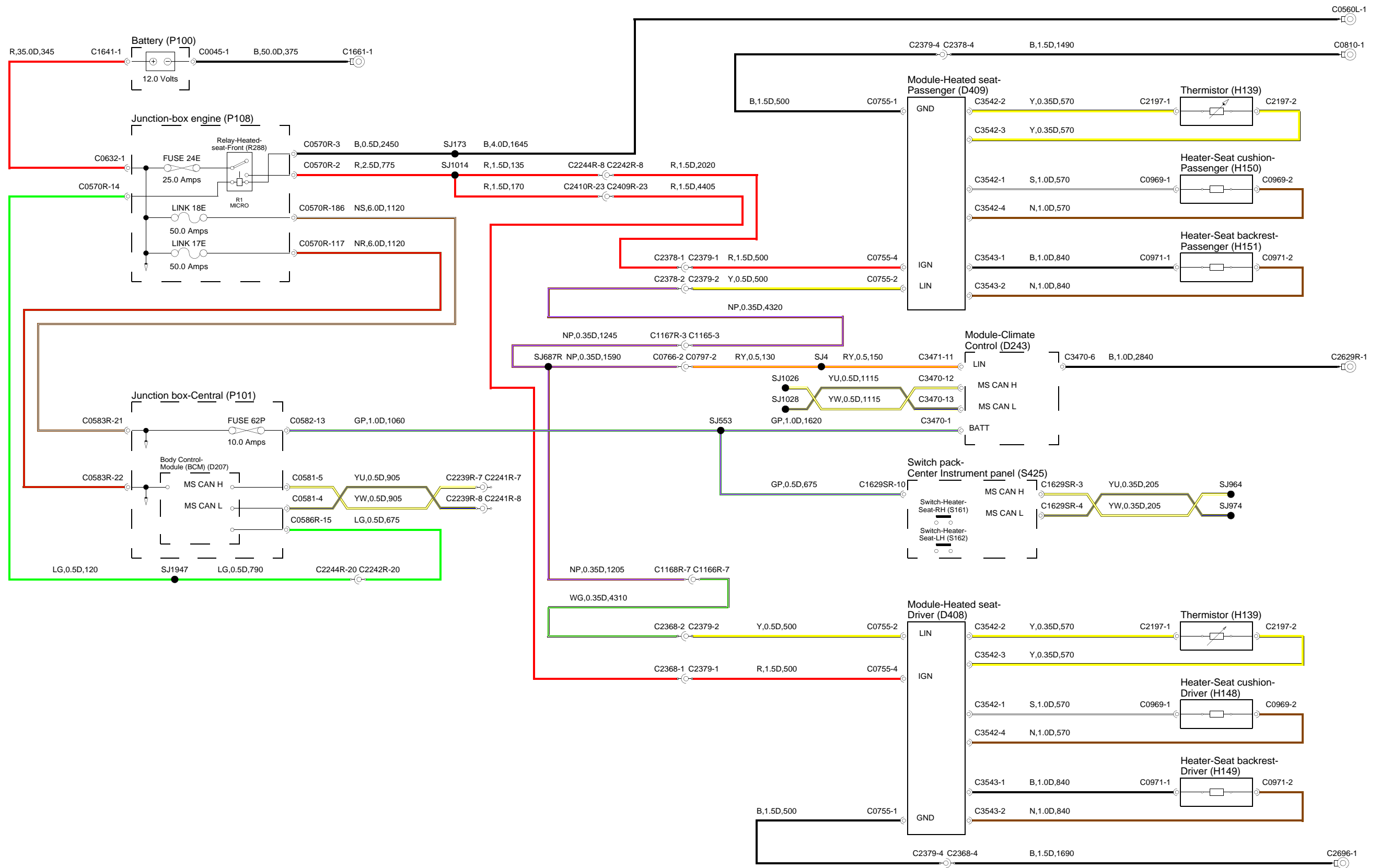


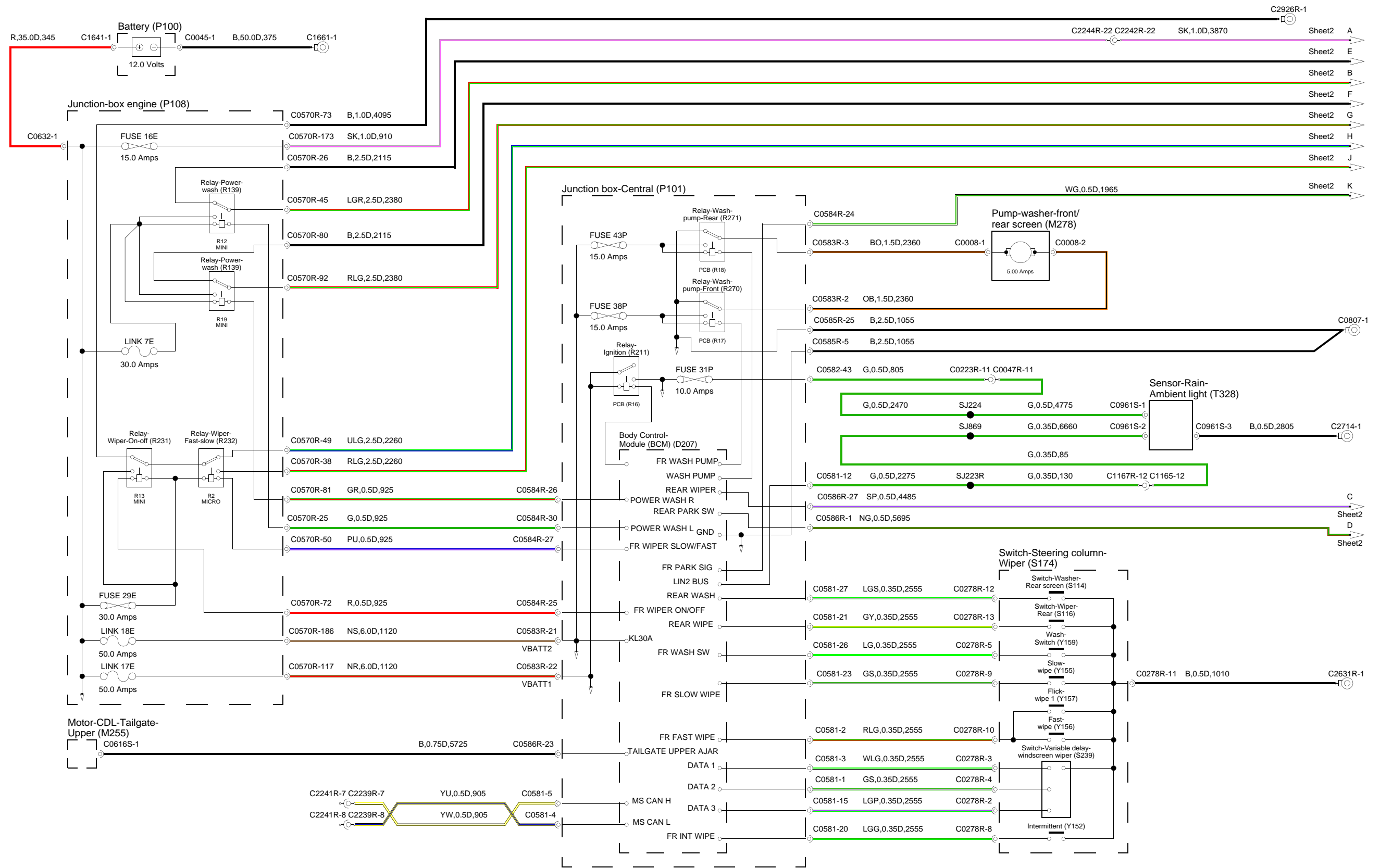










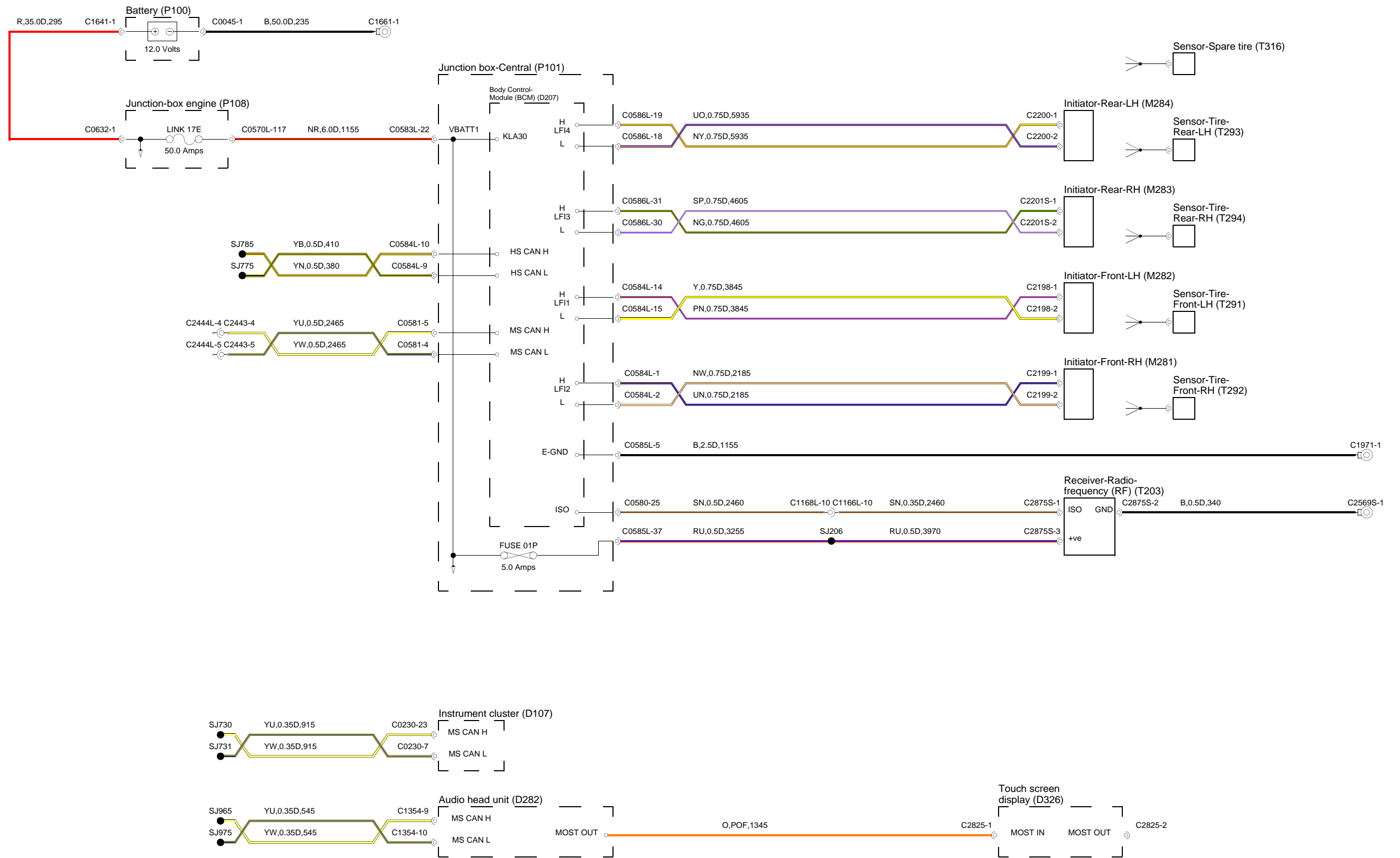


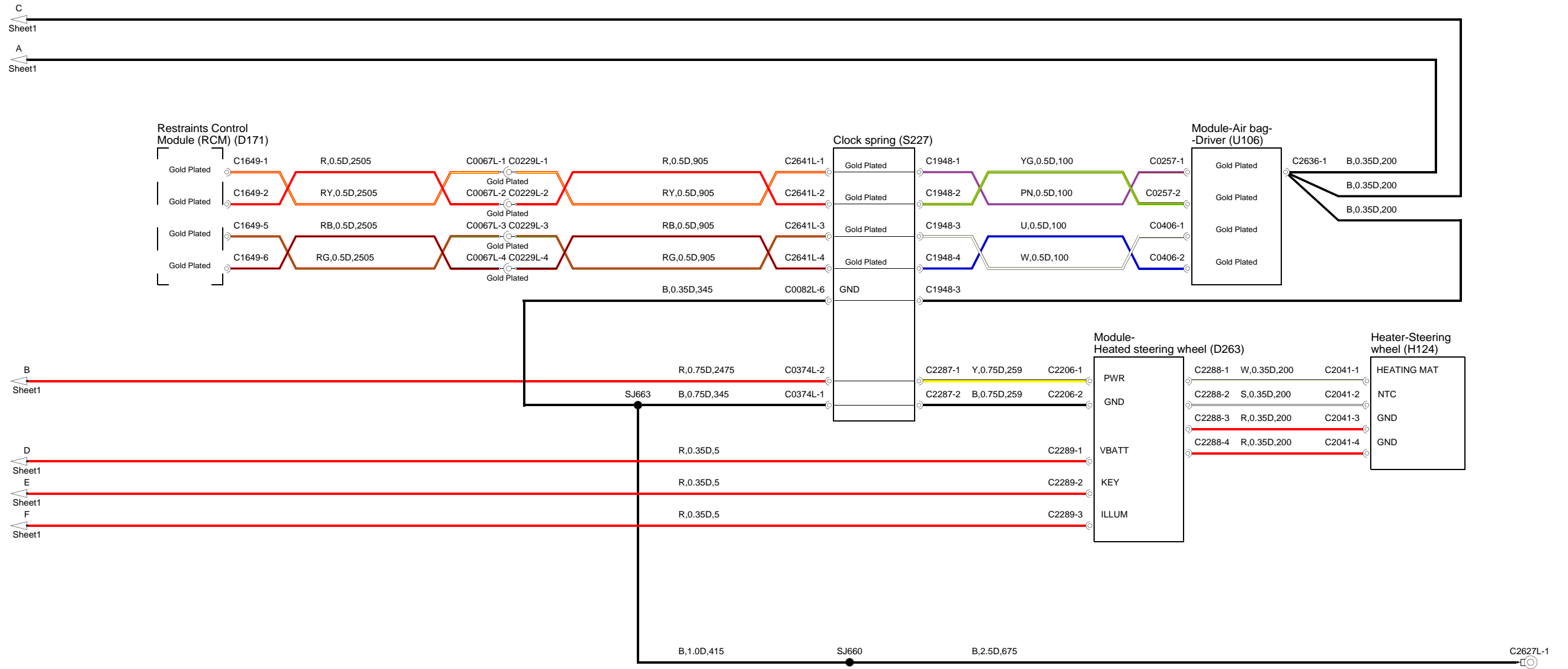
501-17 - ROOF OPENING PANEL

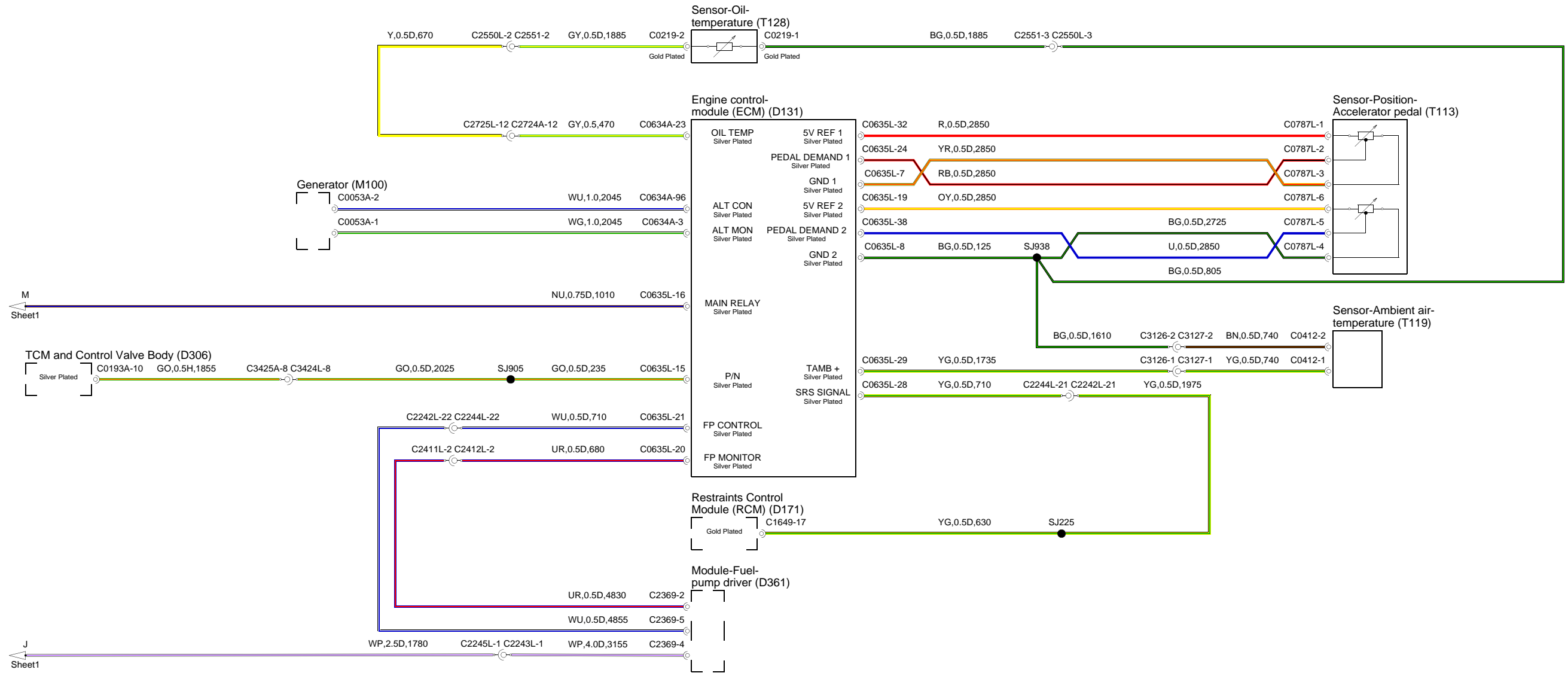
158

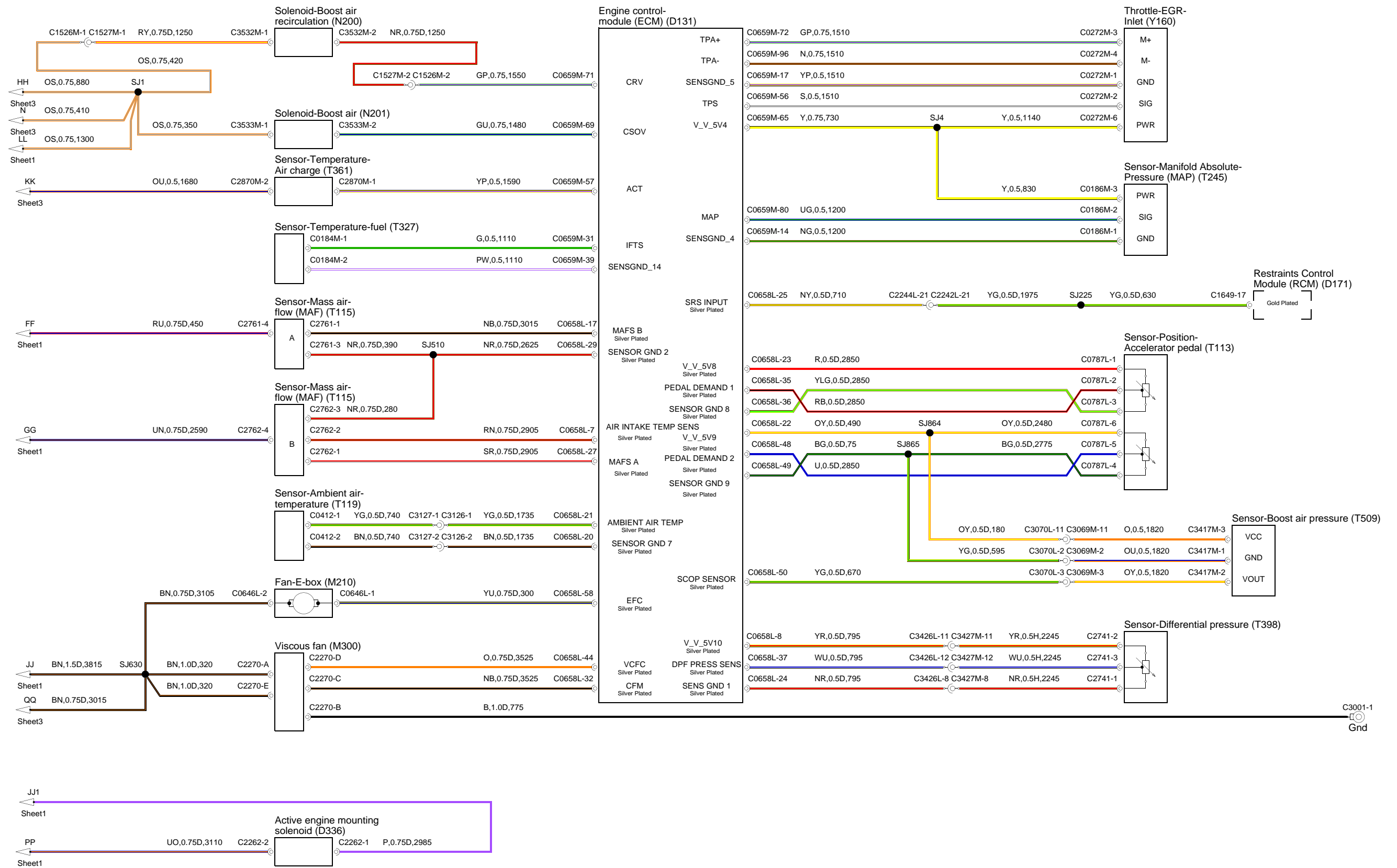
501-20B - SUPPLEMENTAL RESTRAINT SYSTEM

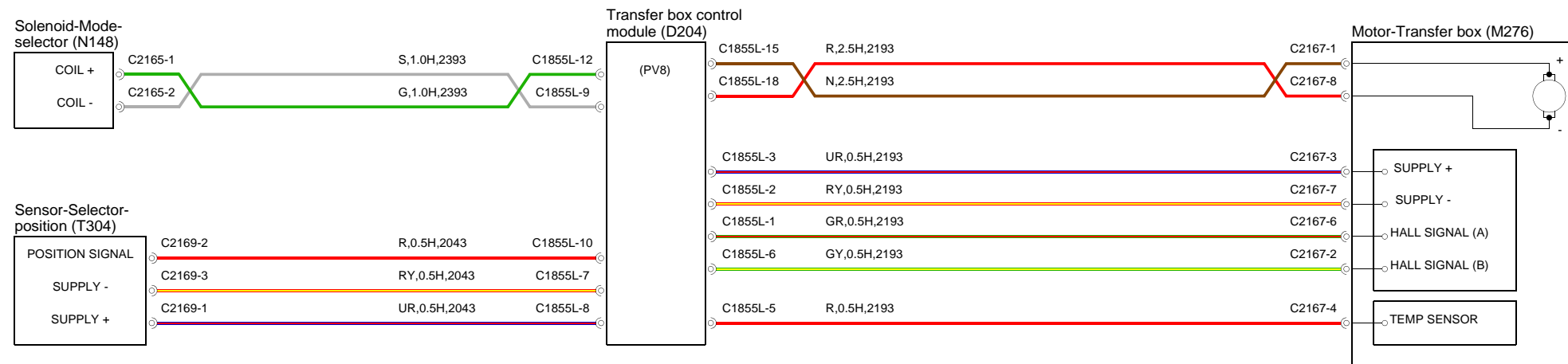
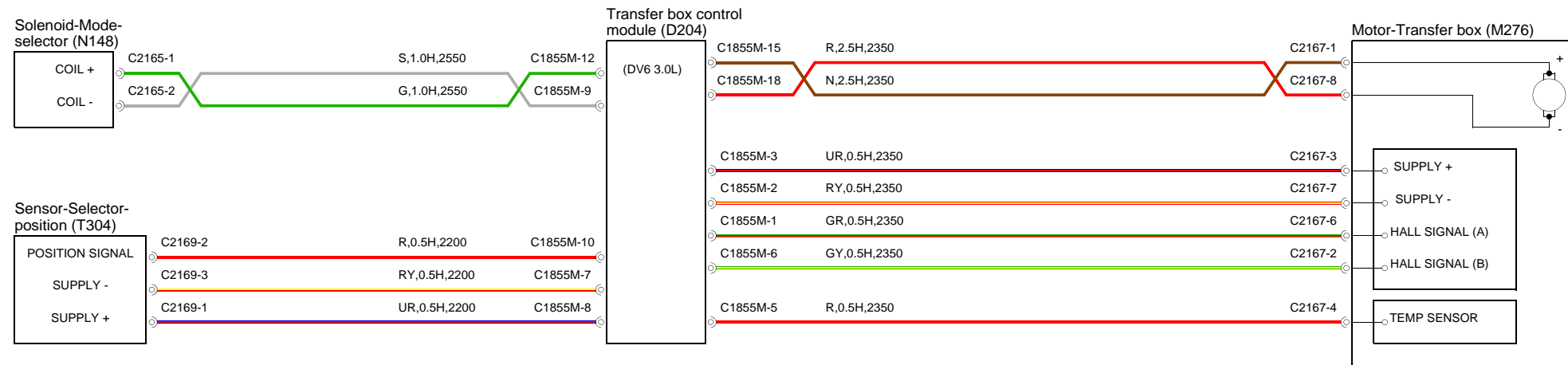
159

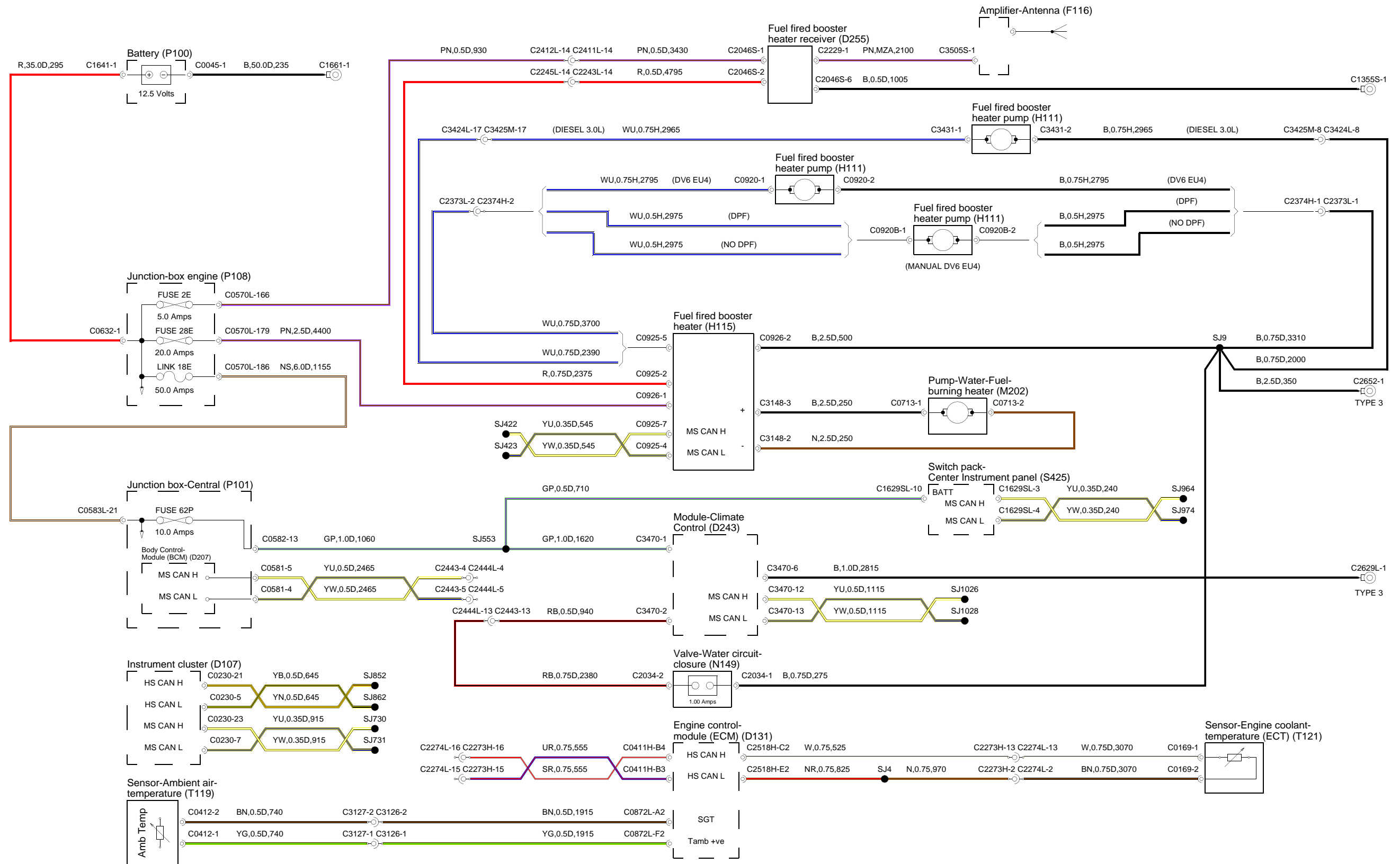


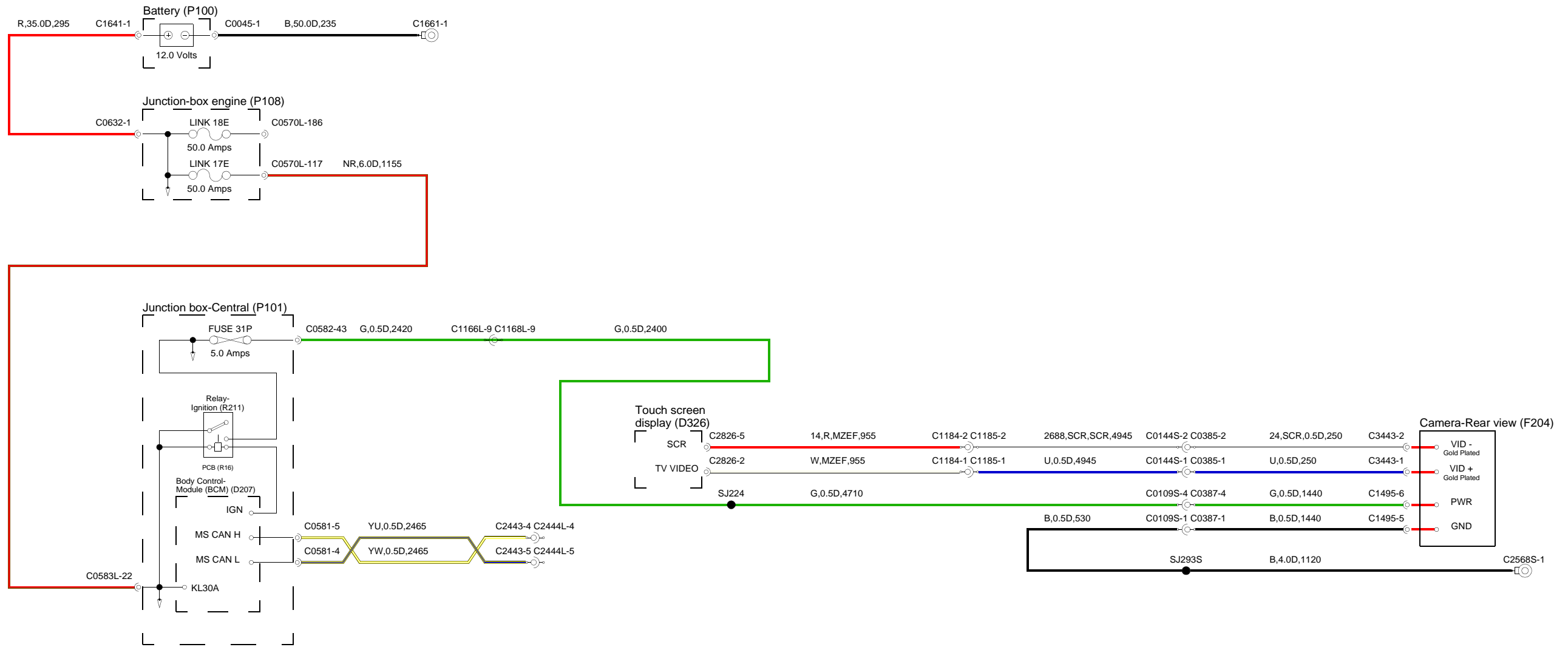


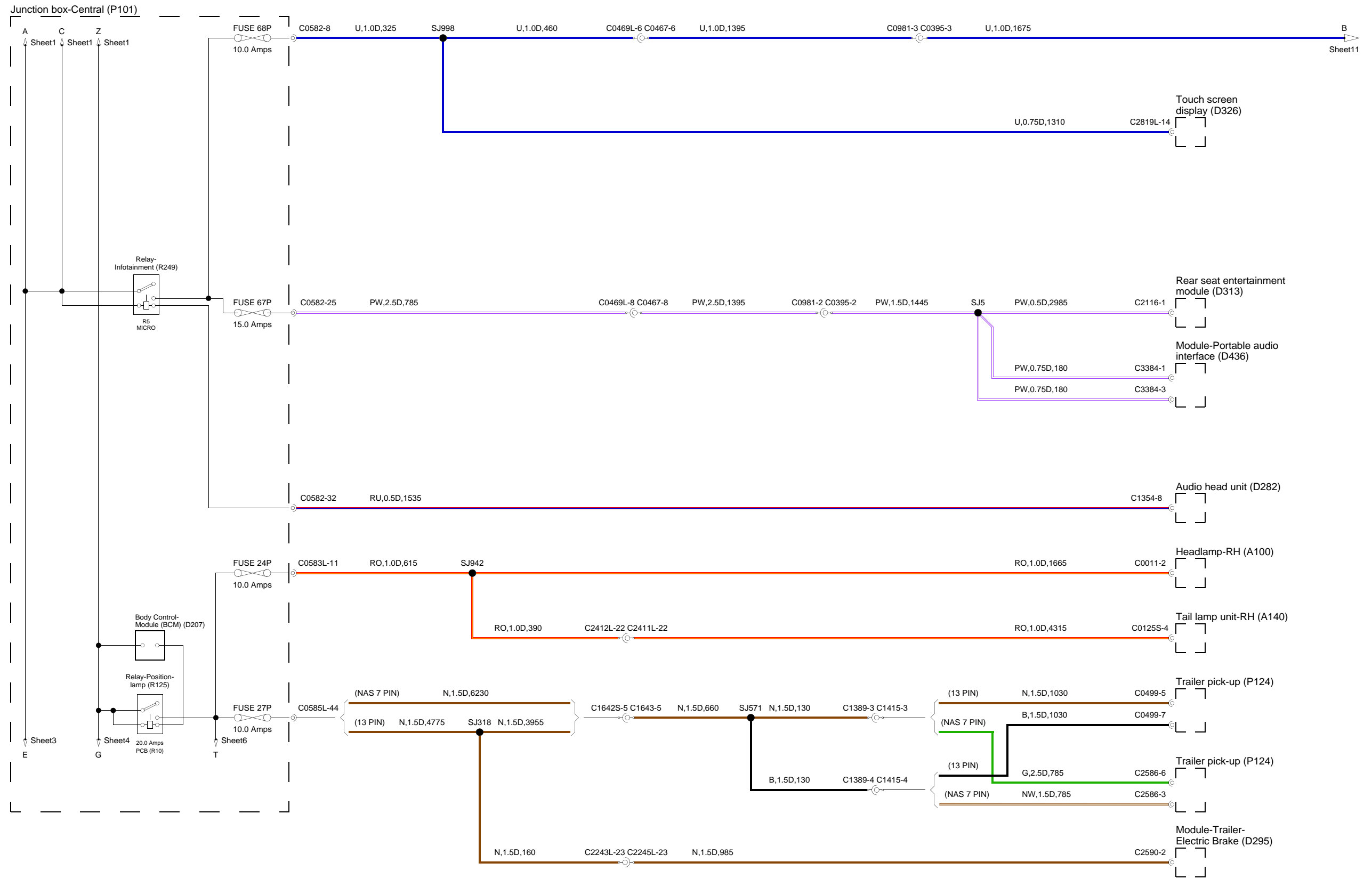


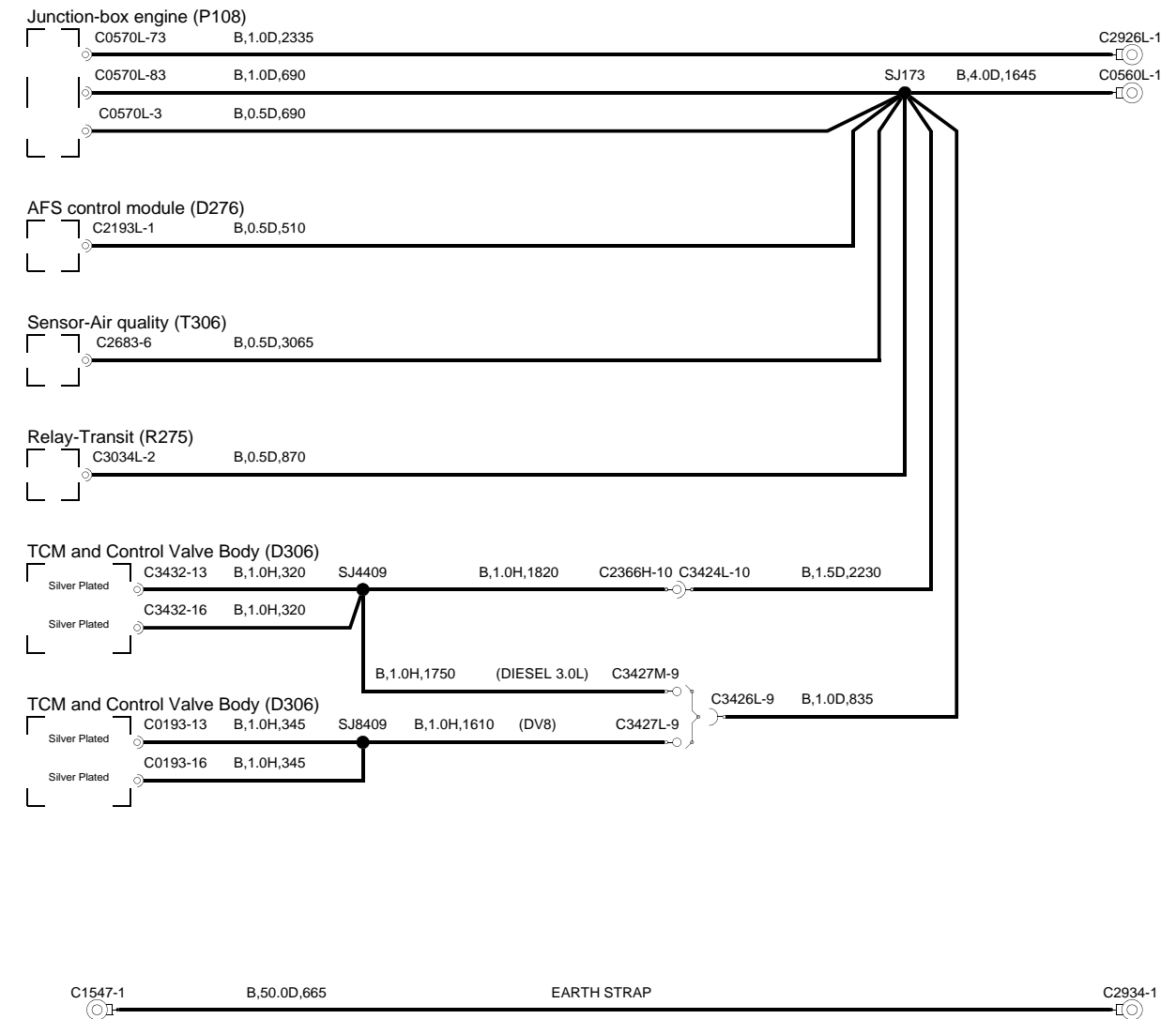
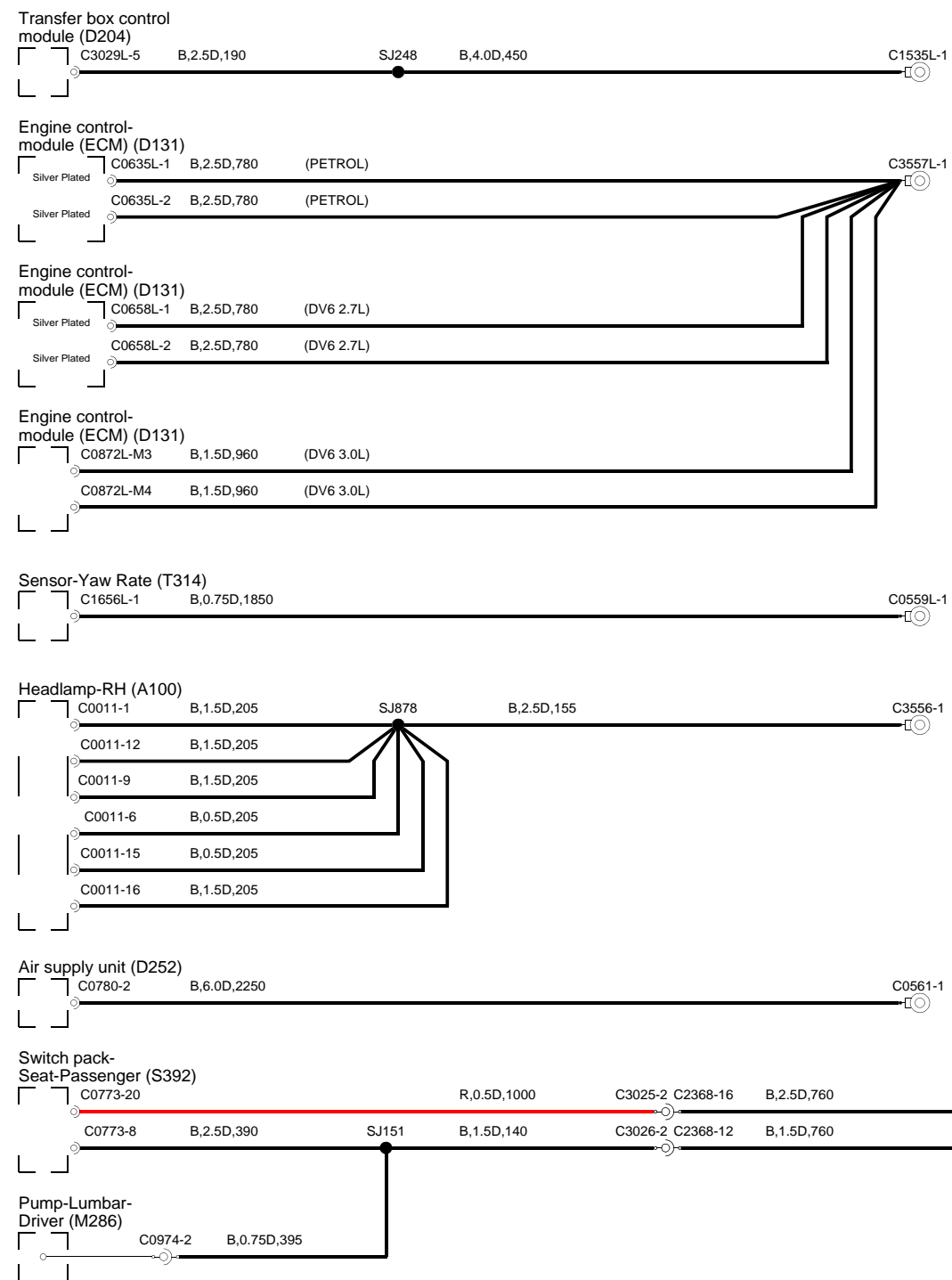


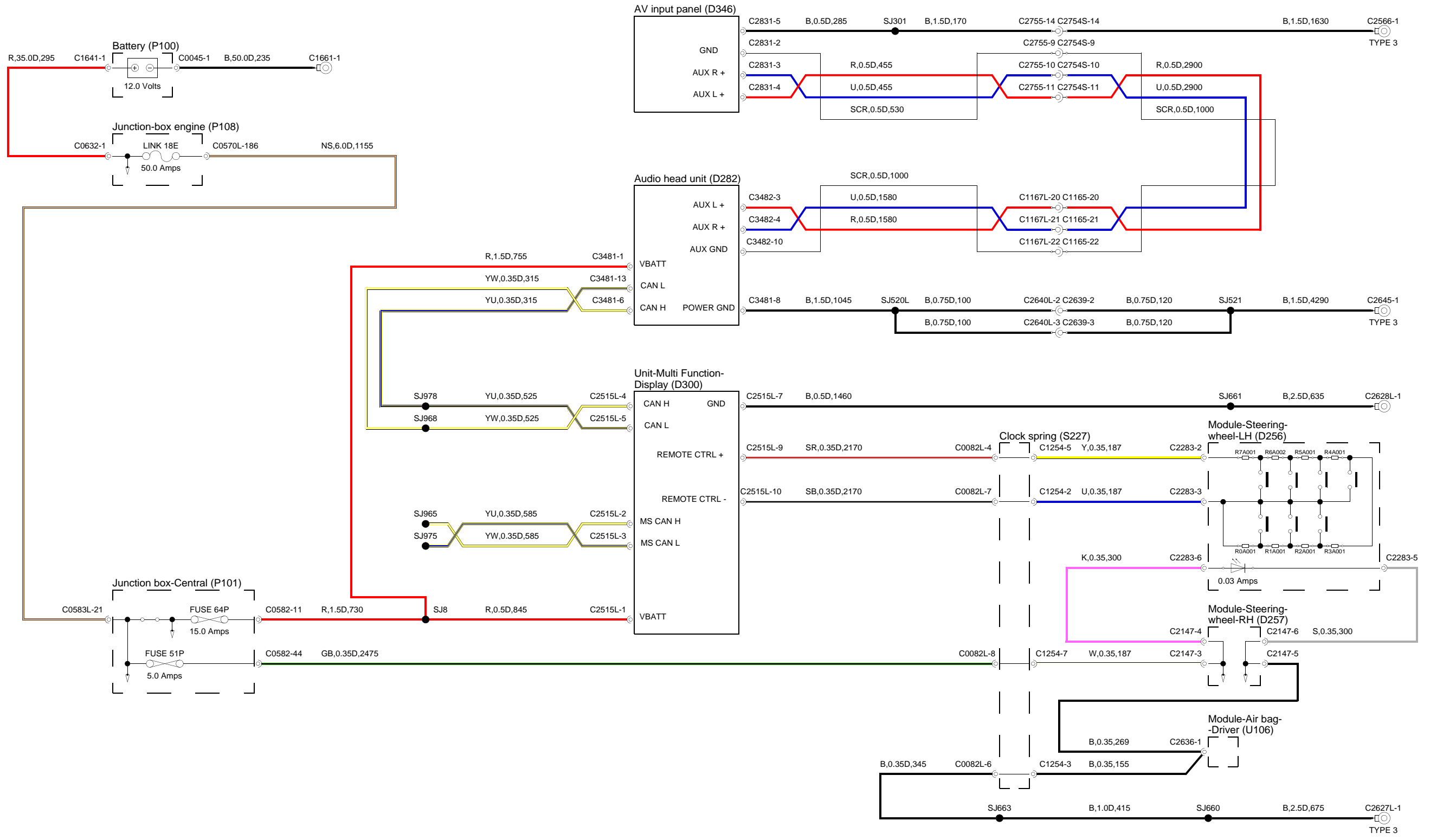


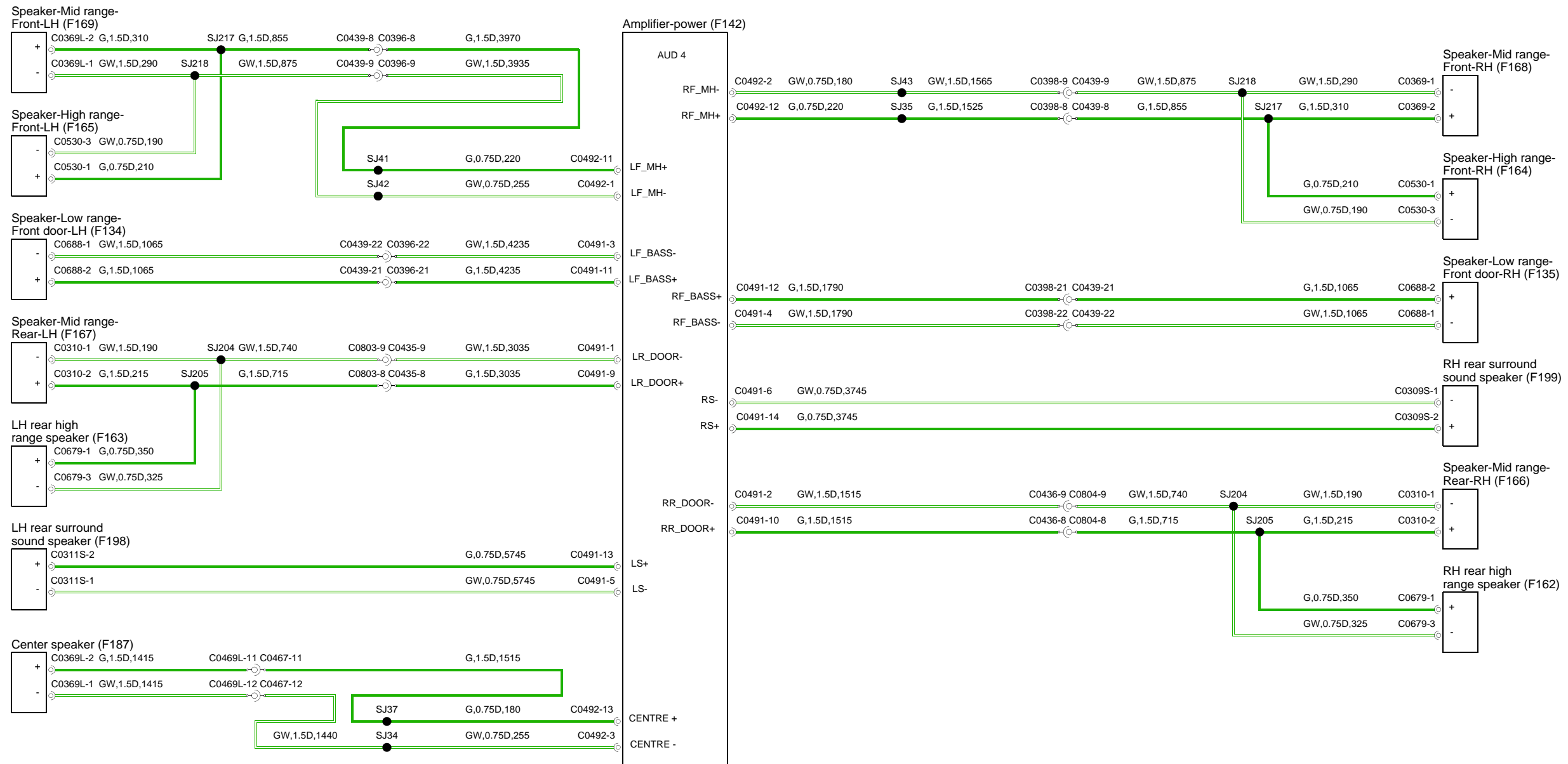


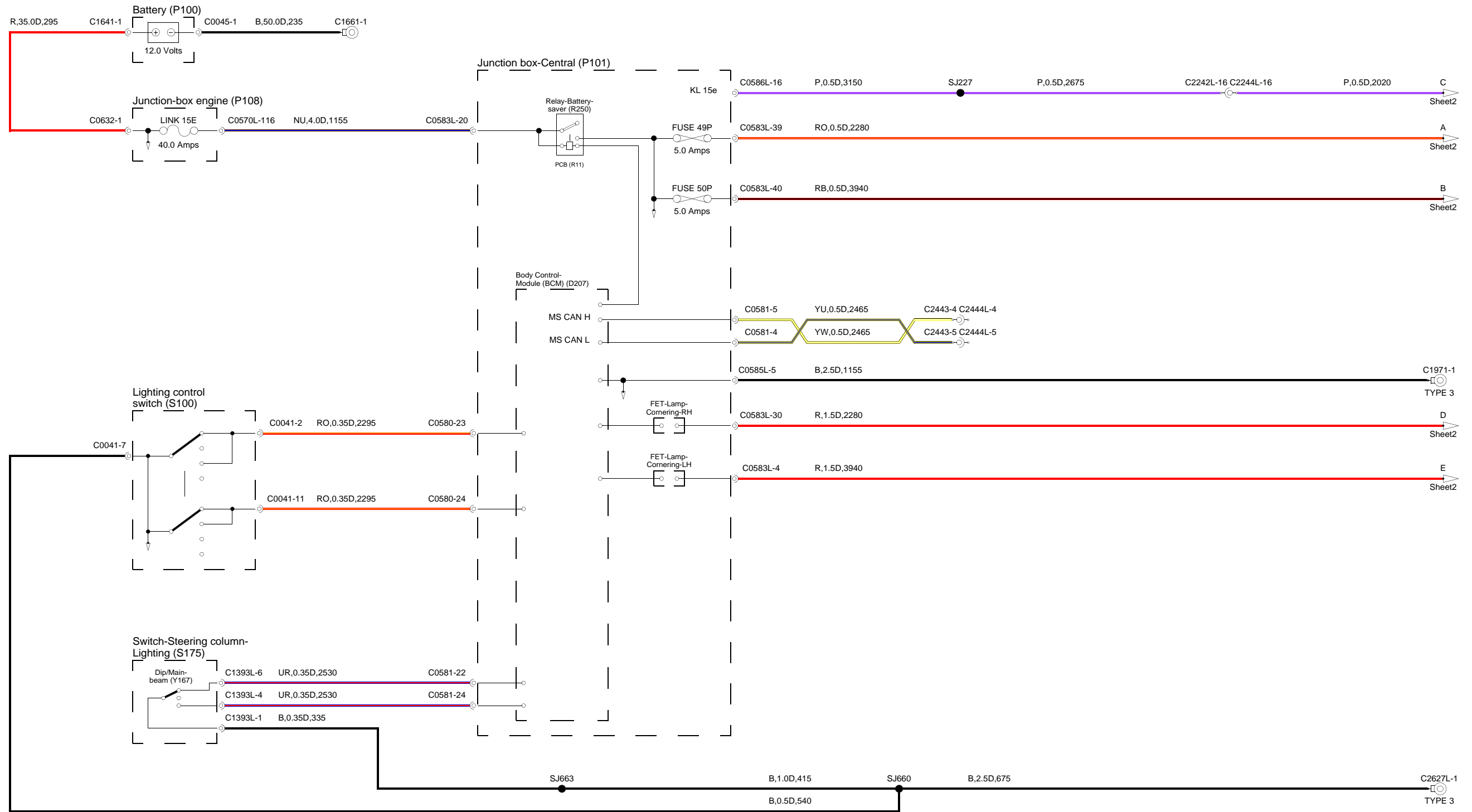


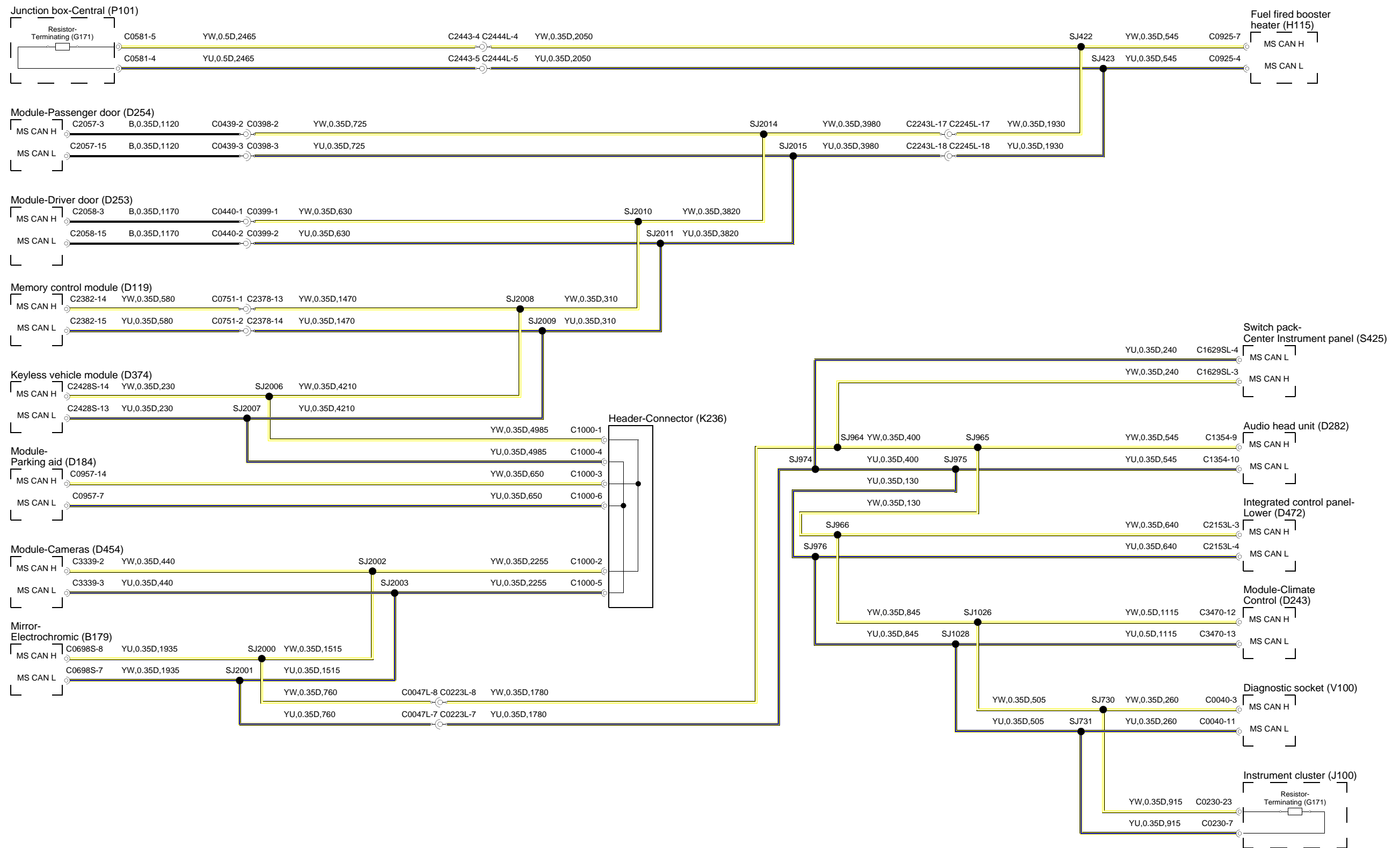


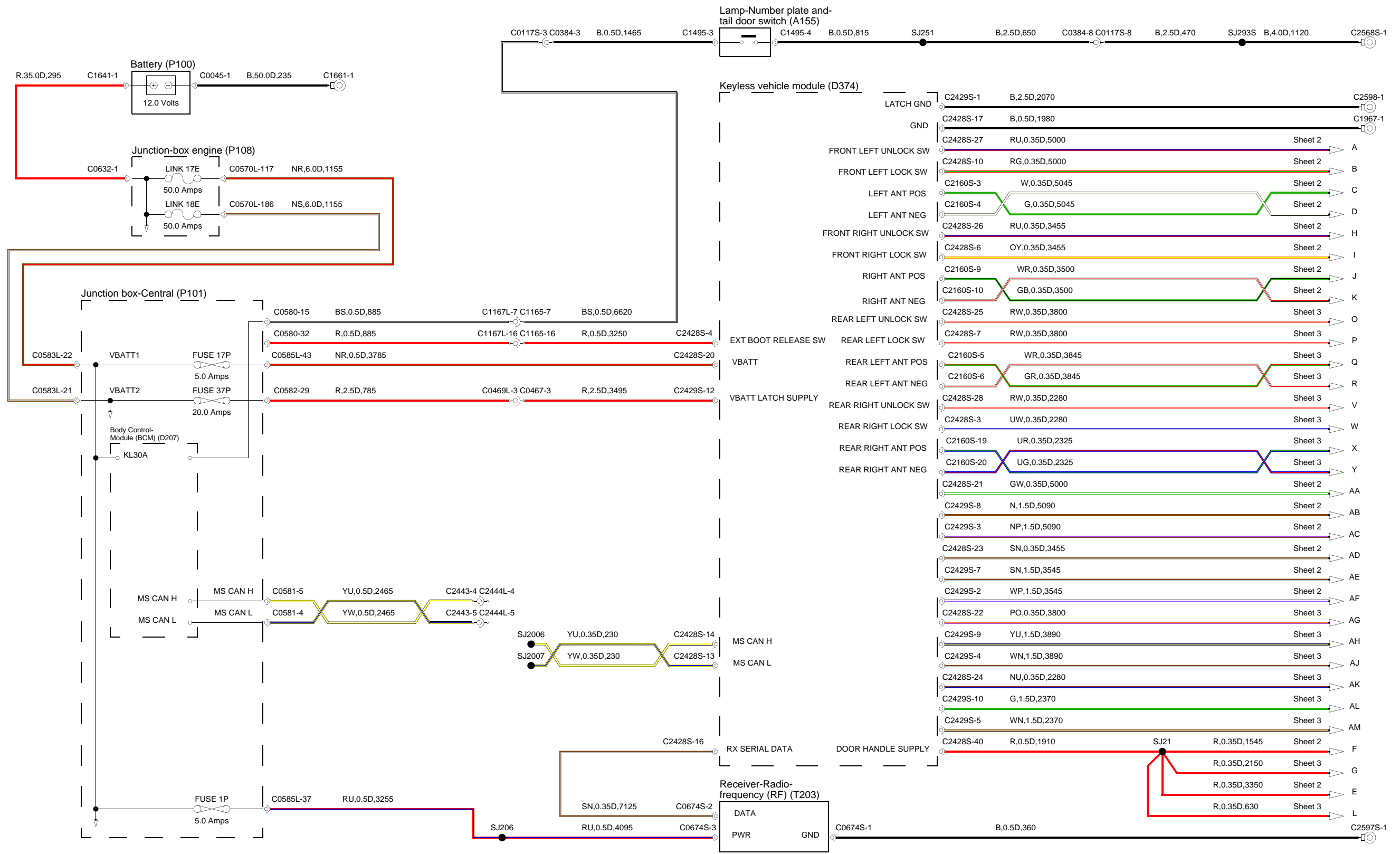


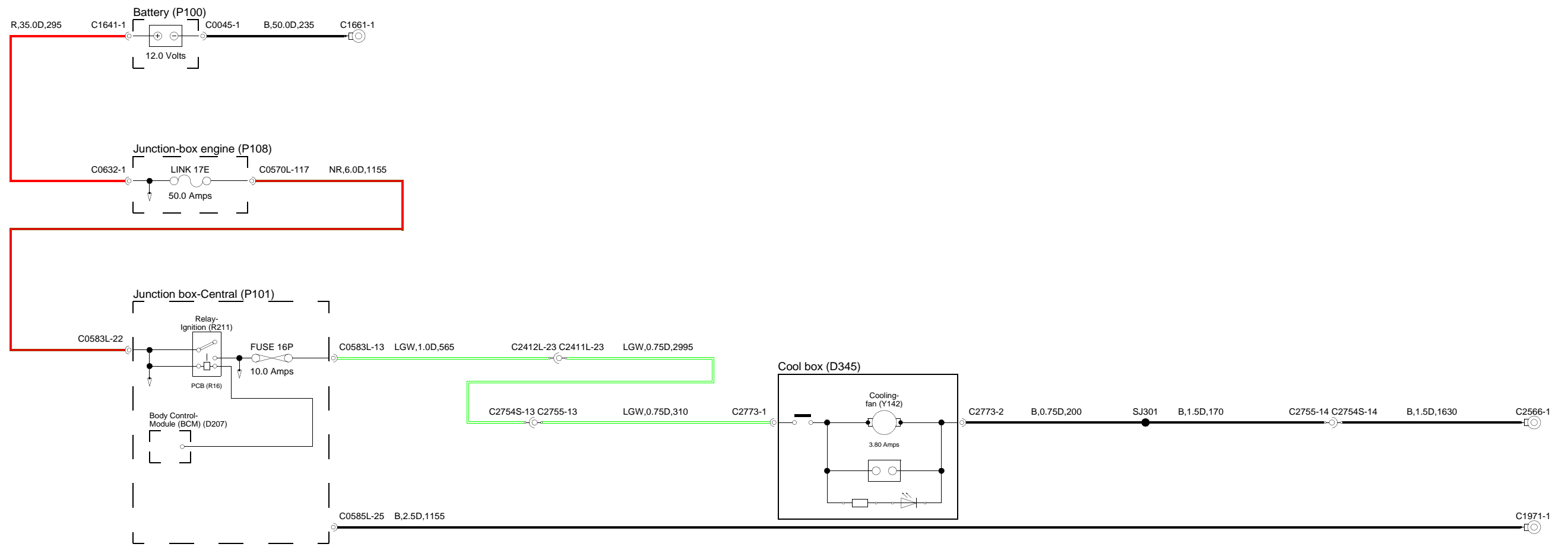












CLICK HERE TO **DOWNLOAD** THE COMPLETE MANUAL

- Thank you very much for reading the preview of the manual.
- You can download the complete manual from: www.heydownloads.com by clicking the link below



- Please note: If there is no response to CLICKING the link, please download this PDF first and then click on it.

CLICK HERE TO **DOWNLOAD** THE COMPLETE MANUAL