

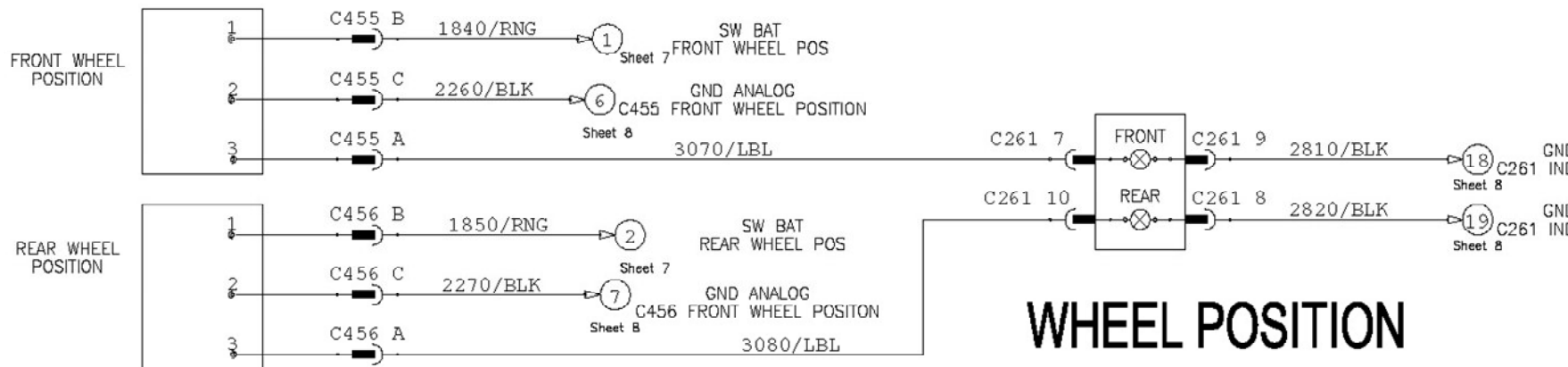
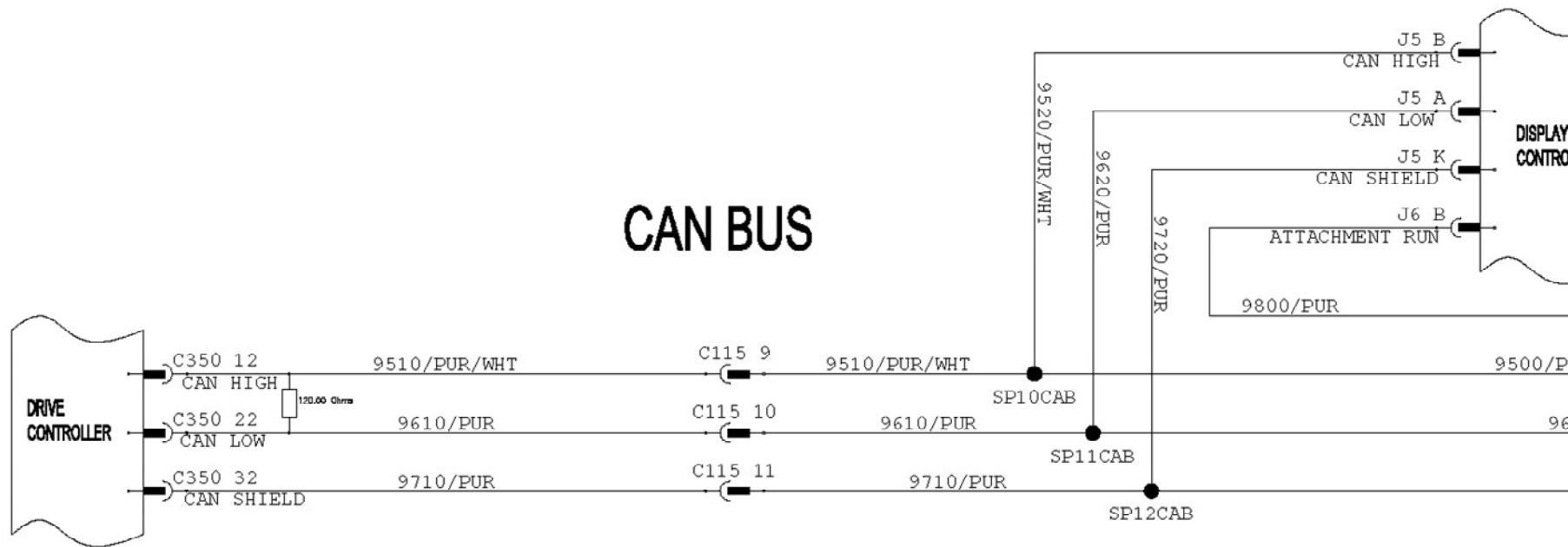
CLICK HERE TO **DOWNLOAD** THE COMPLETE MANUAL

- Thank you very much for reading the preview of the manual.
- You can download the complete manual from: www.heydownloads.com by clicking the link below



- Please note: If there is no response to CLICKING the link, please download this PDF first and then click on it.

CLICK HERE TO **DOWNLOAD** THE COMPLETE MANUAL



Printed in USA

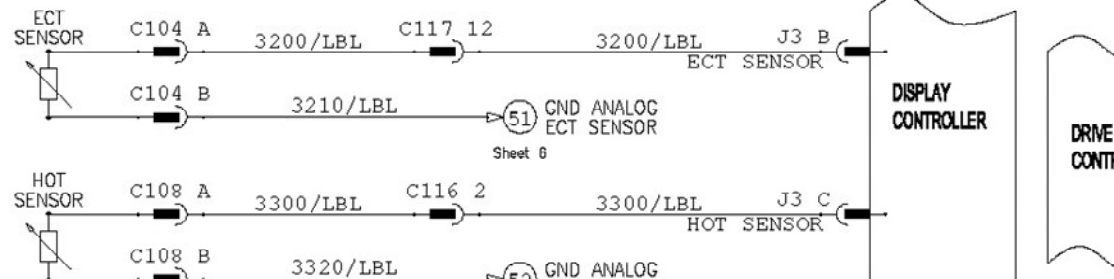
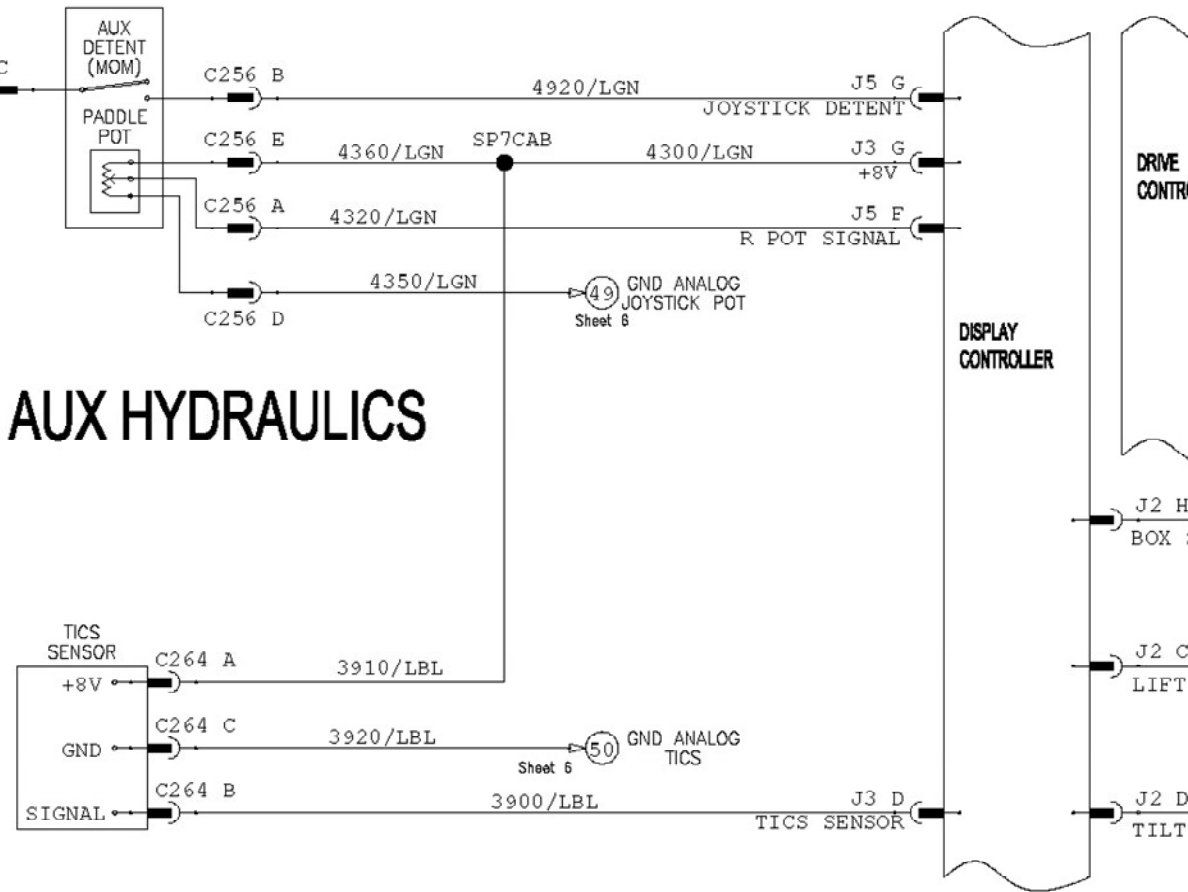
12V SW BAT
AUX DETENT SWITCH

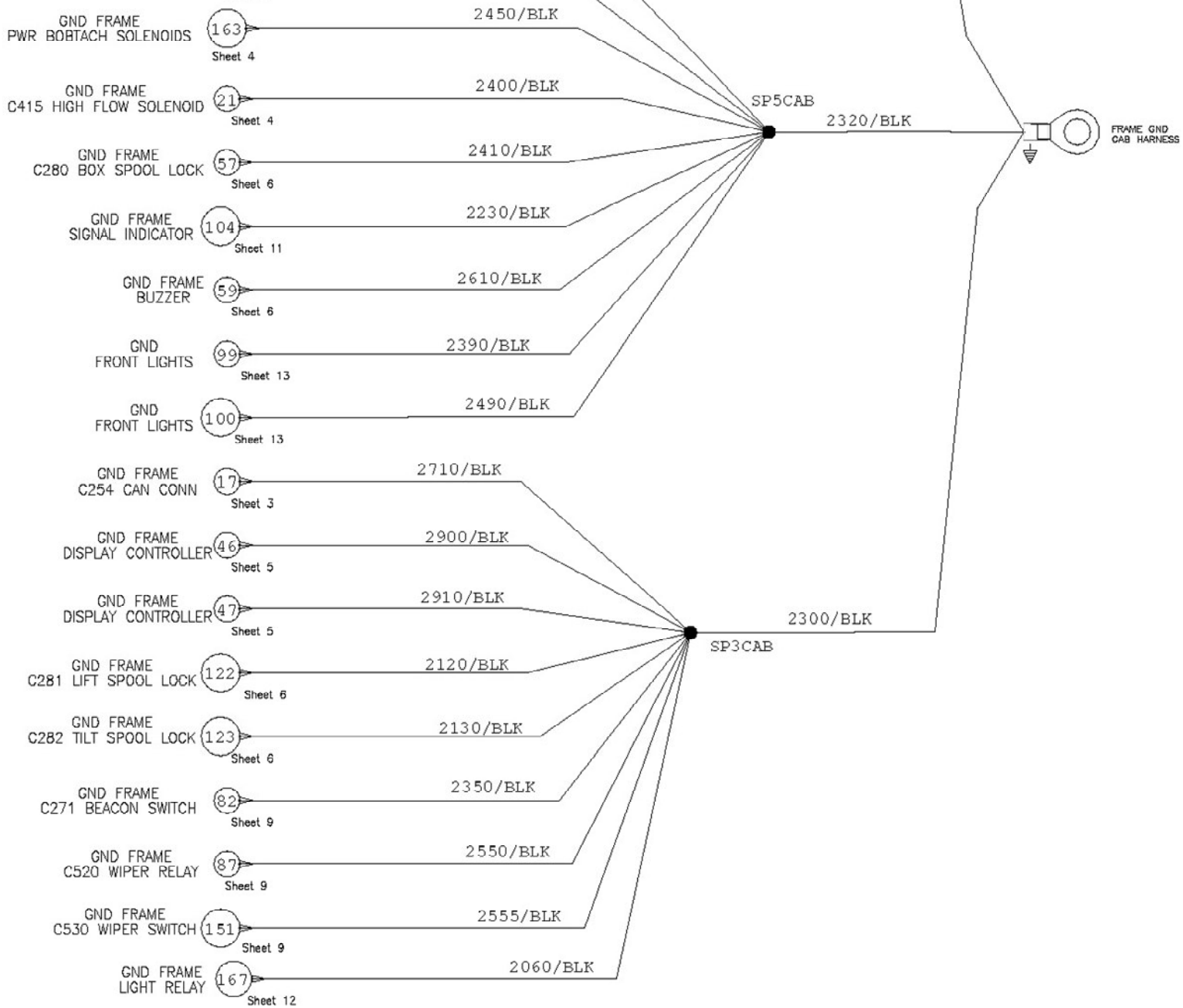
48
Sheet 7

1770/RNG

AUX HYDRAULICS

TICS SENSOR

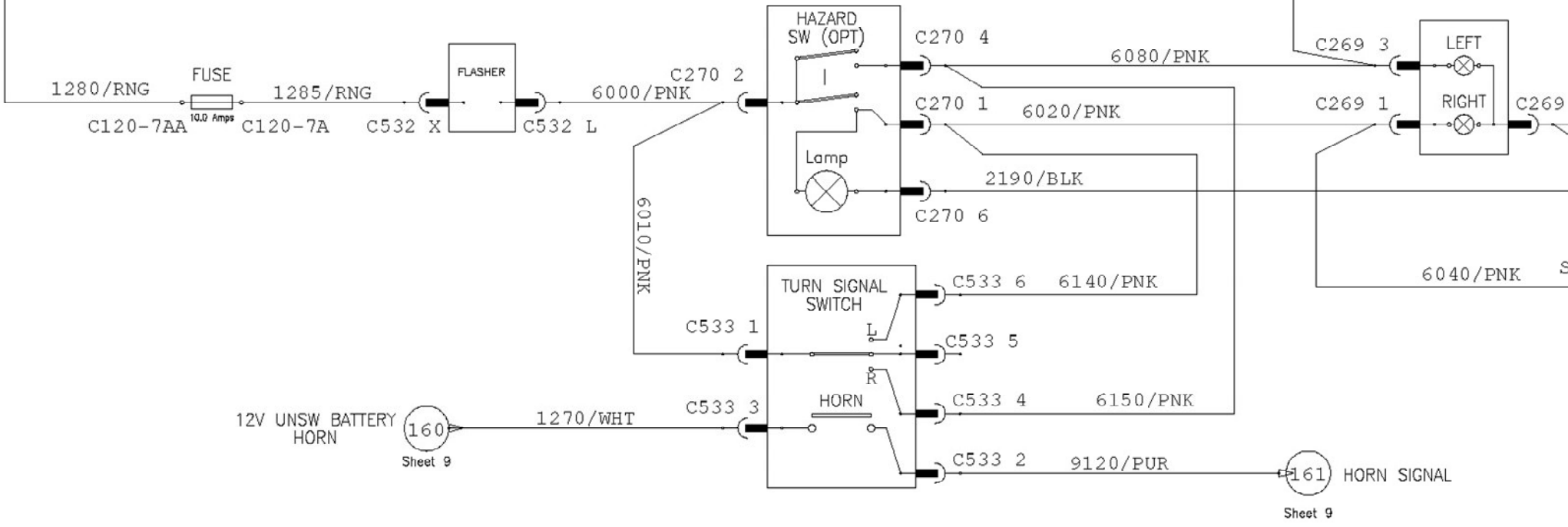




Printed in USA

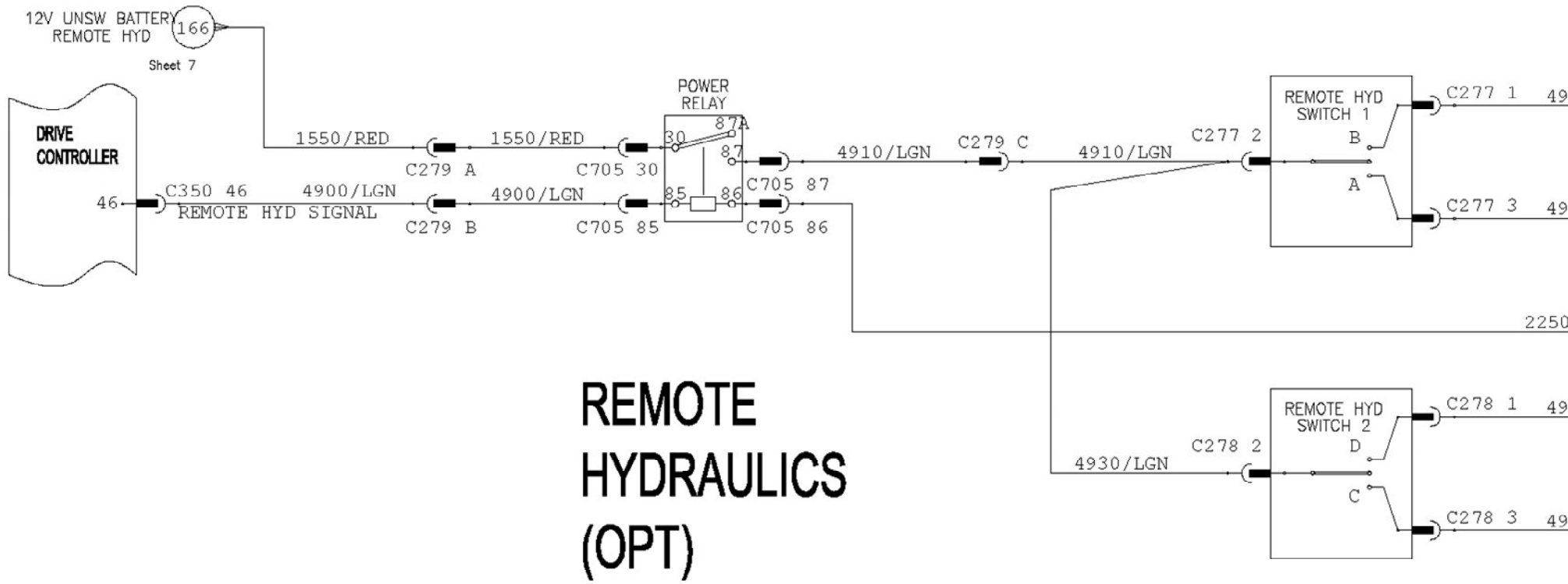
DIRECTION SIGNALS

146 12V UNSW BATTERY
TURN SIGNALS
Sheet 7



12V UNSW BATTERY
HORN
160
Sheet 9

161 HORN SIGNAL
Sheet 9



REMOTE HYDRAULICS (OPT)

CLICK HERE TO **DOWNLOAD** THE COMPLETE MANUAL

- Thank you very much for reading the preview of the manual.
- You can download the complete manual from: www.heydownloads.com by clicking the link below



- Please note: If there is no response to CLICKING the link, please download this PDF first and then click on it.

CLICK HERE TO **DOWNLOAD** THE COMPLETE MANUAL