
Electrical Circuit Diagrams

PayStar® 5900

Engine Family: MaxxForce® 11/13, 15L, N13 or ISX15 Engines with SCR

Navistar, Inc.

2701 Navistar Drive, Lisle, IL 60532 USA

CLICK HERE TO **DOWNLOAD** THE COMPLETE MANUAL

- Thank you very much for reading the preview of the manual.
- You can download the complete manual from: www.heydownloads.com by clicking the link below



- Please note: If there is no response to CLICKING the link, please download this PDF first and then click on it.

CLICK HERE TO **DOWNLOAD** THE COMPLETE MANUAL

INSTRUCTIONS AND CHARTS (CHAPTER 2)

2.1. ABBREVIATIONS, P. 1

NAVISTAR, INC				ELECTRICAL CIRCUIT DIAGRAM	
THIS PRINT IS PROVIDED ON A RESTRICTED BASIS AND IS NOT TO BE USED IN ANY WAY DETRIMENTAL TO THE INTEREST OF NAVISTAR, INC.				CHAPTER 2	
				ABBREVIATIONS	
ABBREVIATION	DESCRIPTION	ABBREVIATION	DESCRIPTION	ABBREVIATION	DESCRIPTION
ACCESS	ACCESSORY	CUR	CURRENT	PRESS	PRESSURE
AC	AIR CONDITIONING	DPNL	DASHBOARD	RAD	RADIO
AIR CLNR	AIR CLEANER	DFTR	DEFLECTOR	RR	REAR
ALT	ALTERNATOR	DFR	DEFROSTER	RLY	RELAY
AC	ALTERNATING CURRENT	DEG	DEGREE	RES	RESISTOR
AFTR	AFTERTREATMENT	DIAG	DIAGRAM	R	RIGHT
AMM	AMMETER	DSL	DIESEL	RTR	ROTOR
AMP	AMPERE	DIFF	DIFFERENTIAL	SNSR	SENSOR
AMP HR	AMPERE HOUR	DIMR	DIMMER	SHLD	SHIELD
AMPL	AMPLIFIER	ELEC	ELECTRICAL	SHFT	SHIFTER
ARM	ARMATURE	ELEX	ELECTRONICS	SLPR	SLEEPER
ARSR	ARRESTER	ENG	ENGINE	SLV	SLEEVE
ASSY	ASSEMBLY	EXH	EXHAUST	SPKR	SPEAKER
AUX	AUXILIARY	FL	FLUID	SPR	SPRING
B/U	BACK-UP	FWD	FORWARD	STD	STANDARD
BTRY	BATTERY	FR	FRONT	STRG	STEERING
BM	BENCHMARKING	FREQ	FREQUENCY	STLITE	SATELLITE
BLK	BLOCK	GA	GAUGE	SUNSH	SUNSHADE
BOOS	BOOSTER	GEN	GENERATOR	SW	SWITCH
BOT	BOTTOM	GND	GROUND	SYS	SYSTEM
BK	BRAKE	HARN	HARNESS	TACH	TACHOMETER
BRKR	BREAKER	HDLP	HEADLAMP	TEMP	TEMPERATURE
BRTHR	BREATHER	HTD	HEATED	TERM	TERMINAL
BRI	BRIGHT	HT TR	HEAT TREAT	THROT	THROTTLE
BUZ	BUZZER	HTR	HEATER	THRU	THROUGH
CA	CABLE	HP	HORSEPOWER	TRLR	TRAILER
CD	CANDELA	HYD	HYDRAULIC	XDCR	TRANSDUCER
CP	CANDLEPOWER	ID	IDENTIFICATION	XFER	TRANSFER
CAP	CAPACITOR	IGN	IGNITION	XFMR	TRANSFORMER
CAT	CATERPILLAR	ILLUM	ILLUMINATION	XSTR	TRANSISTOR
CHAS	CHASSIS	IND	INDICATOR	XMSN	TRANSMISSION
CH	CHOKE	INST	INSTRUMENT	XMTR	TRANSMITTER
CIRC	CIRCUIT	INT	INTERMITTENT	TRK	TRUCK
CLK	CLOCK	L	LEFT	UPR	UPPER
CW	CLOCKWISE	LT	LIGHT	VLV	VALVE
CLSTR	CLUSTER	LTR	LIGHTER	VERT	VERTICAL
CL	CLUTCH	LWR	LOWER	VM	VOLTMETER
COL	COLUMN	MAG	MAGNET	VOL	VOLUME
COMM	COMMUTATOR	MOD	MODULATOR	WSHR	WASHER
CMPNT	COMPONENT	MDL	MODULE	WHL	WHEEL
CPRSR	COMPRESSOR	MOT	MOTOR	WDO	WINDOW
CONN	CONNECT	MTD	MOUNTED	WSHLD	WINDSHIELD
CONT	CONTINUED	NEG	NEGATIVE	WPR	WIPER
CSL	CONSOLE	N/	NOT WITH	W/	WITH
CONT	CONTACT	NO.	NUMBER	W/O	WITHOUT
CONT	CONTROL	PASS	PASSENGER		
CONV	CONVERTER	POSN	POSITION		
CLR	COOLER	POS	POSITIVE		
CTSY	COURTESY	POT	POTENTIOMETER		
CRUS	CRUISE	PWR	POWER		

CHK	DATE	CHANGE	REV	REFERENCE	DRAWN	NAME	
DLV1	11JAN11	INITIAL RELEASE.	A	61879Y	300011	CIRCUIT DIAGRAM, PAYSTAR	
					RELEASE NO.	DATE	PART NO. SHEET
					61879Y	12MAY09	AE08058081 001

Figure 1 Abbreviations

2.11. SCHEMATIC SYMBOL CHART (CONT.), P. 11

NAVISTAR, INC <small>THIS PRINT IS PROVIDED ON A RESTRICTED BASIS AND IS NOT TO BE USED IN ANY WAY DETRIMENTAL TO THE INTEREST OF NAVISTAR, INC.</small>				ELECTRICAL CIRCUIT DIAGRAM CHAPTER 2 SCHEMATIC SYMBOL CHART (CONT)			
SYMBOL		DESCRIPTION		SYMBOL		DESCRIPTION	
		MALE TERMINAL				RESISTOR	
		MOTOR				SENDER - FUEL, OIL, TEMP, WATER	
		PASS THRU CONNECTION				SENSOR, PRESSURE. ABS 6	
		PRESSURE SWITCH				SENSOR, MAGNETIC	
		RELAY, FIVE TERMINAL				SENSOR, YAW	
		RELAY, FOUR TERMINAL				SOLENOID	
		RELAY, LATCHING				SOLENOID W/ DIODE	
CHK	DATE	CHANGE	REV	REFERENCE	DRAWN	NAME	
DLV1	11JAN11	INITIAL RELEASE.	A	61879Y	300011	CIRCUIT DIAGRAM, PAYSTAR	
					RELEASE NO.	DATE	PART NO. SHEET
					61879Y	12MAY09	AE08058081 011

Figure 11 Schematic Symbol Chart (Cont.)

3.9. BATTERY FEED WITHOUT ENGINE BRAKE, P. 5

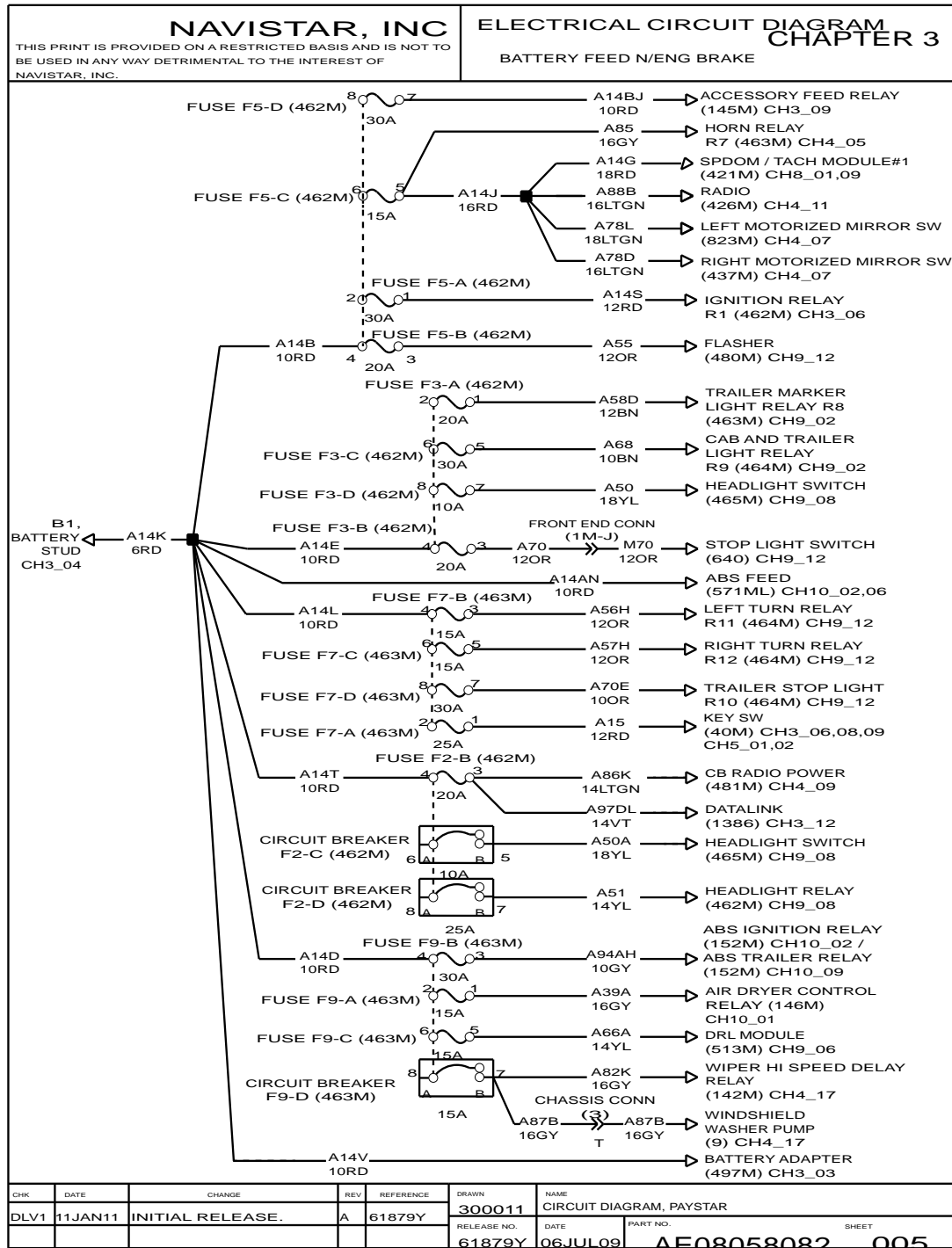


Figure 21 Battery Feed without Engine Brake

3.19. J1939 DATA LINK WITH IBB ENGINE (CONT.), P. 11

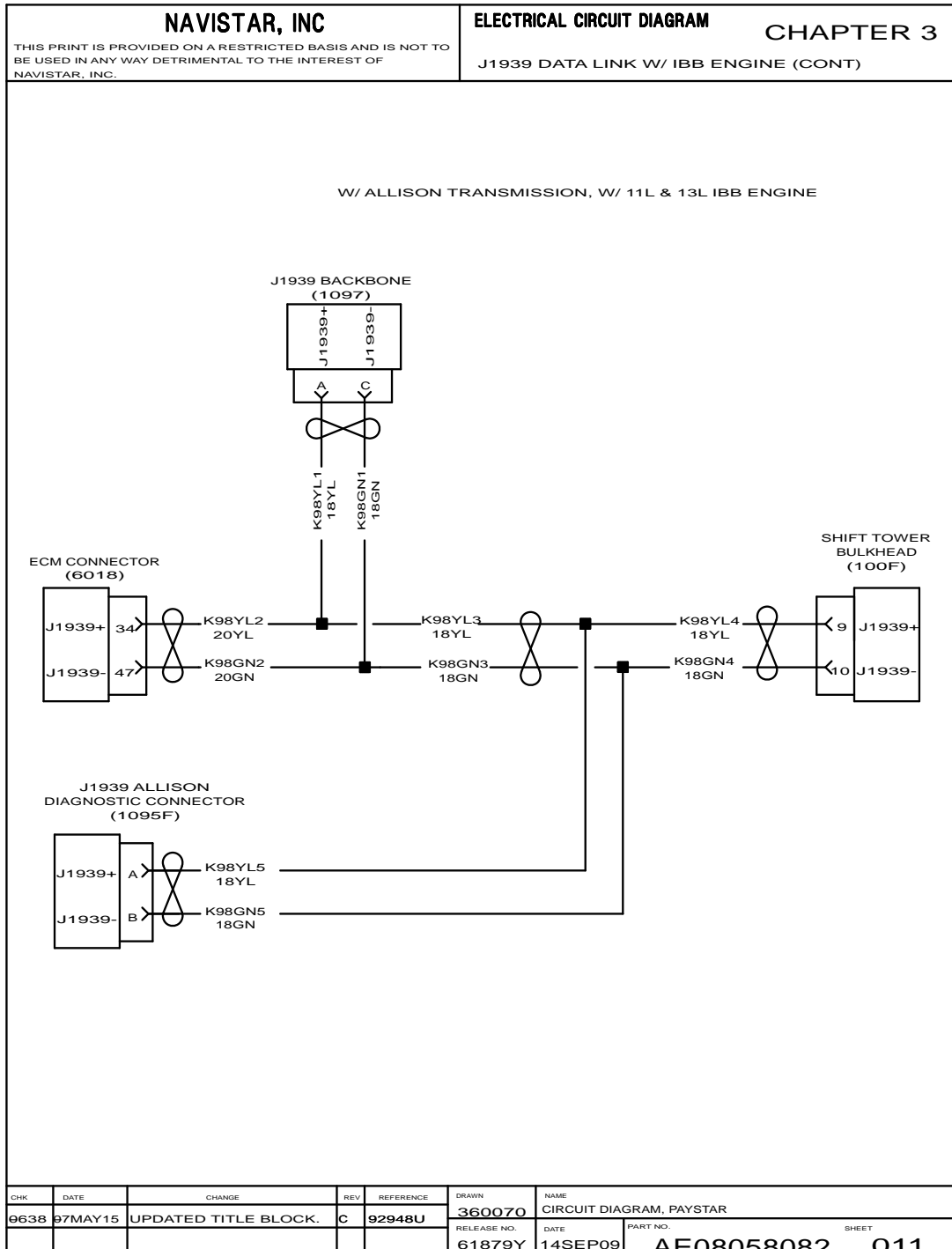


Figure 31 J1939 Data Link with IBB Engine (Cont.)

3.29. ECA POWER, P. 19

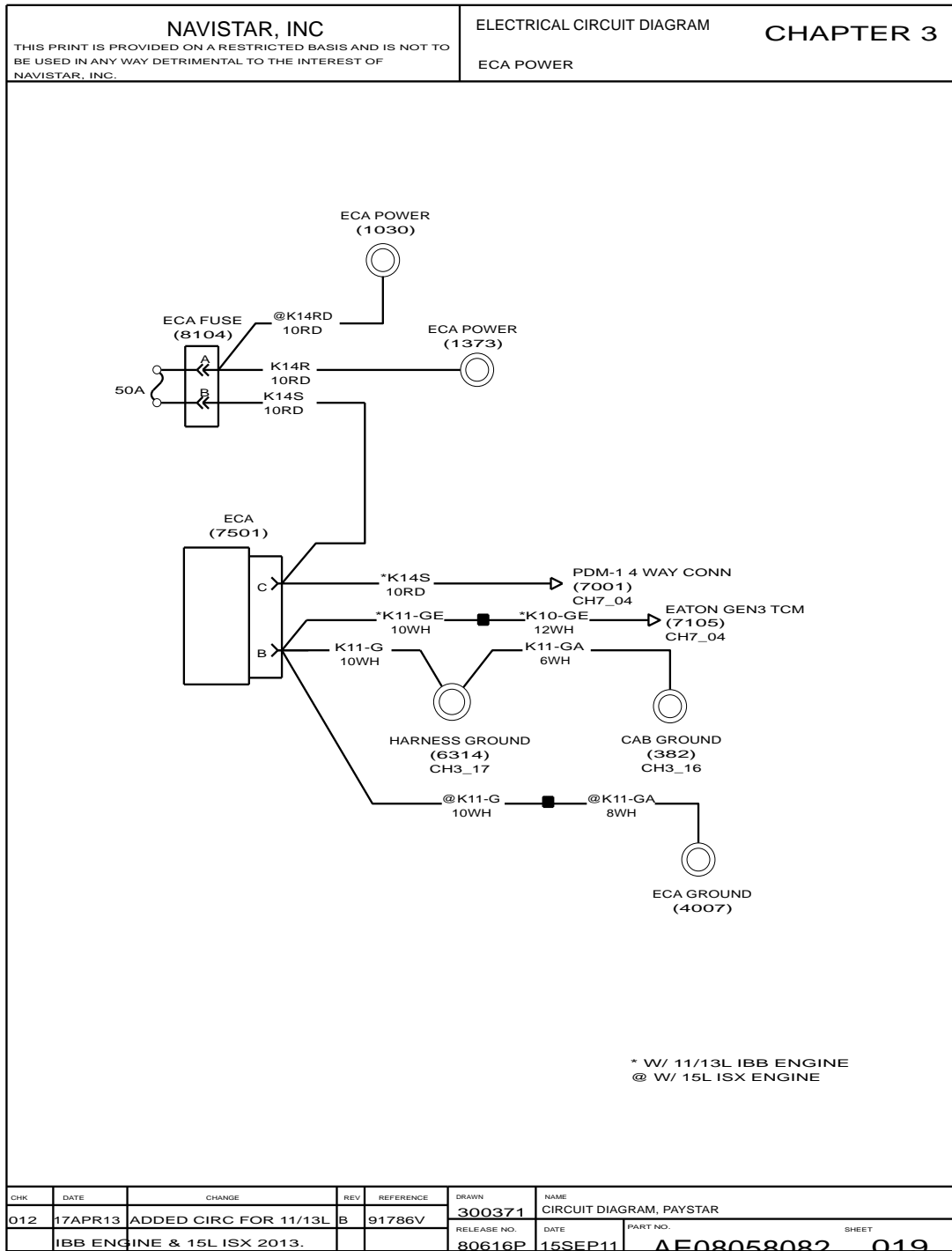


Figure 41 ECA Power

4.4. DEFROSTER FAN(S), P. 4

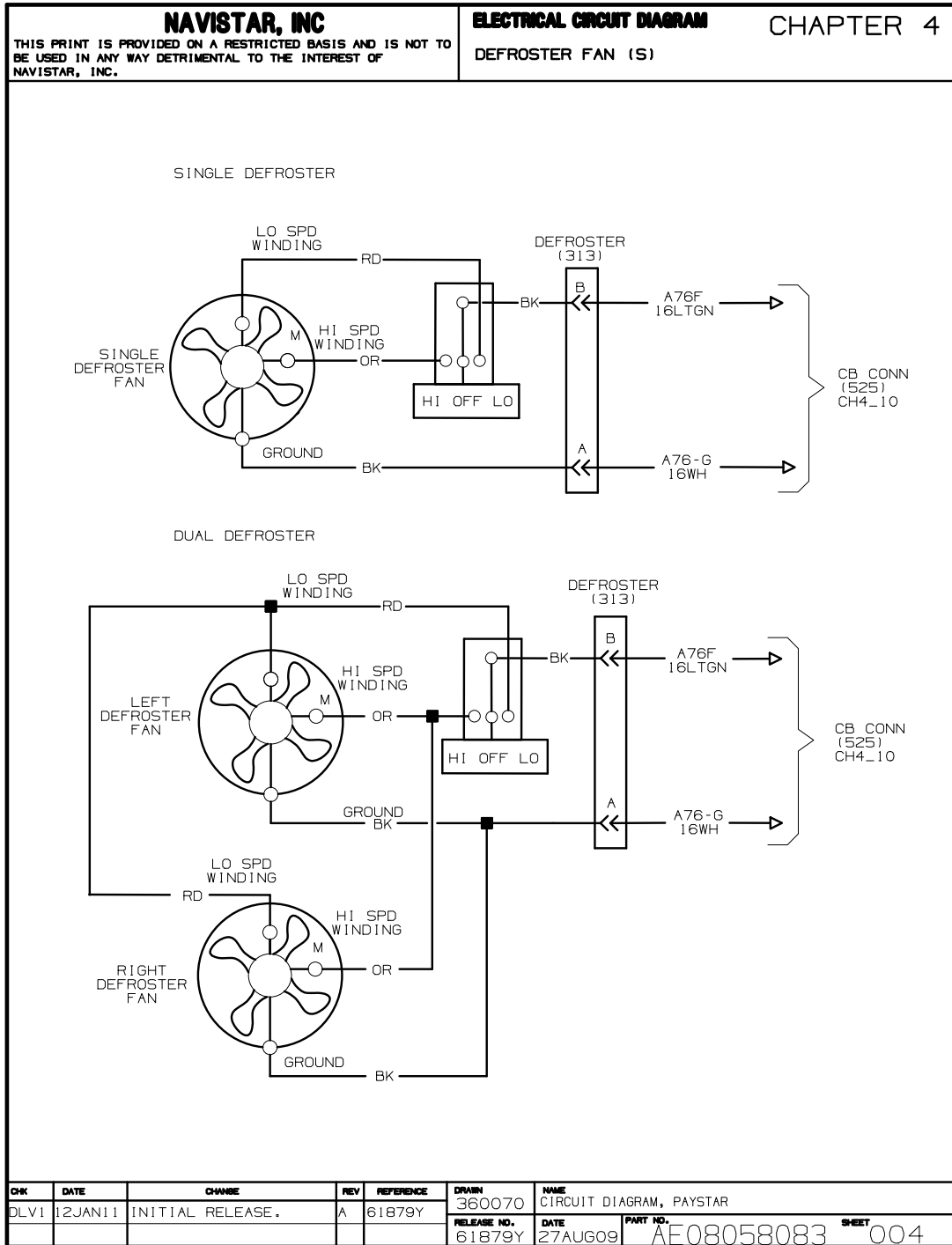


Figure 51 Defroster Fan(s)

4.14. ROAD RELAY IV, P. 14

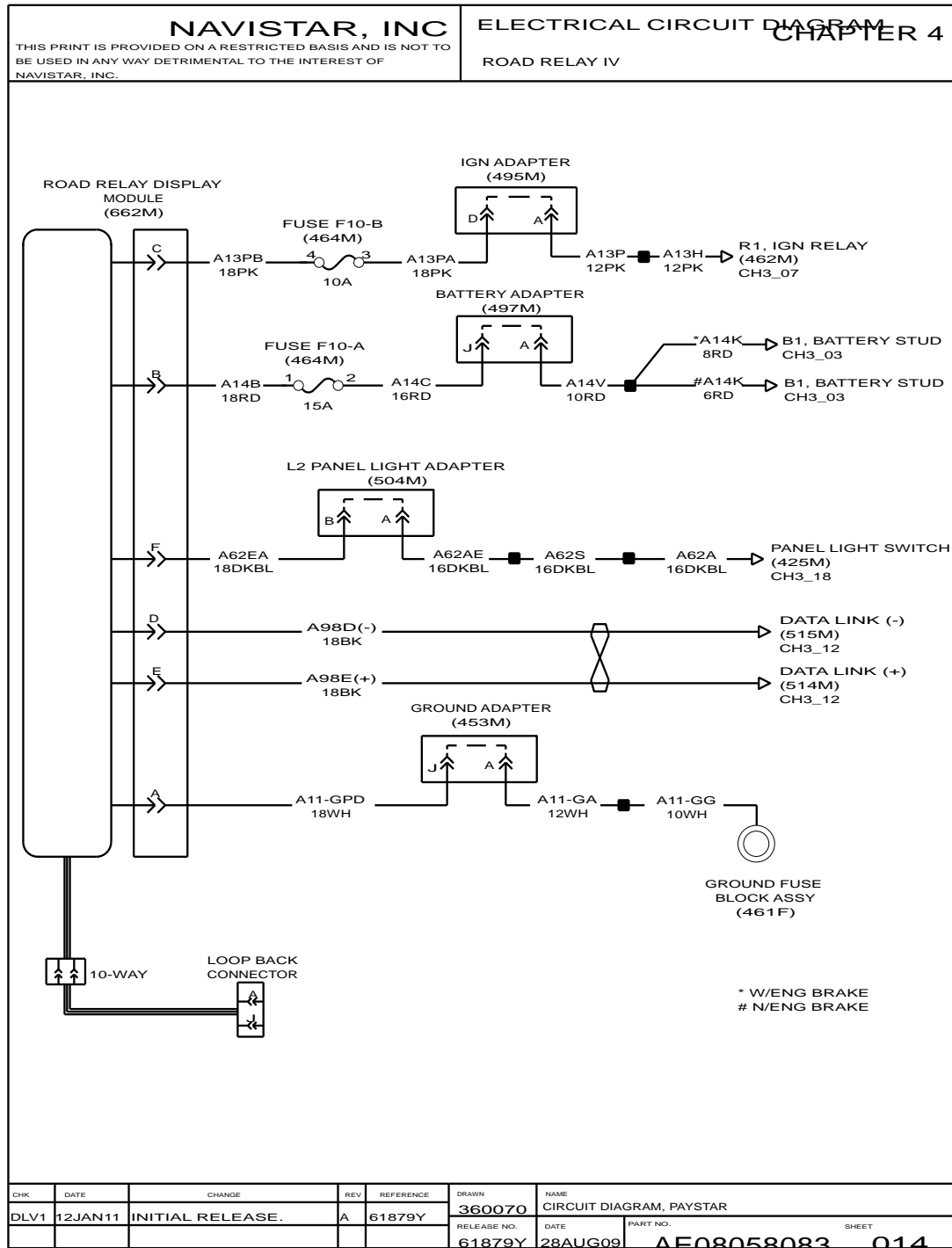


Figure 61 Road Relay IV

FANS WIRING (CHAPTER 6)

6.1. FAN WIRING – IBB ENGINE, P. 1

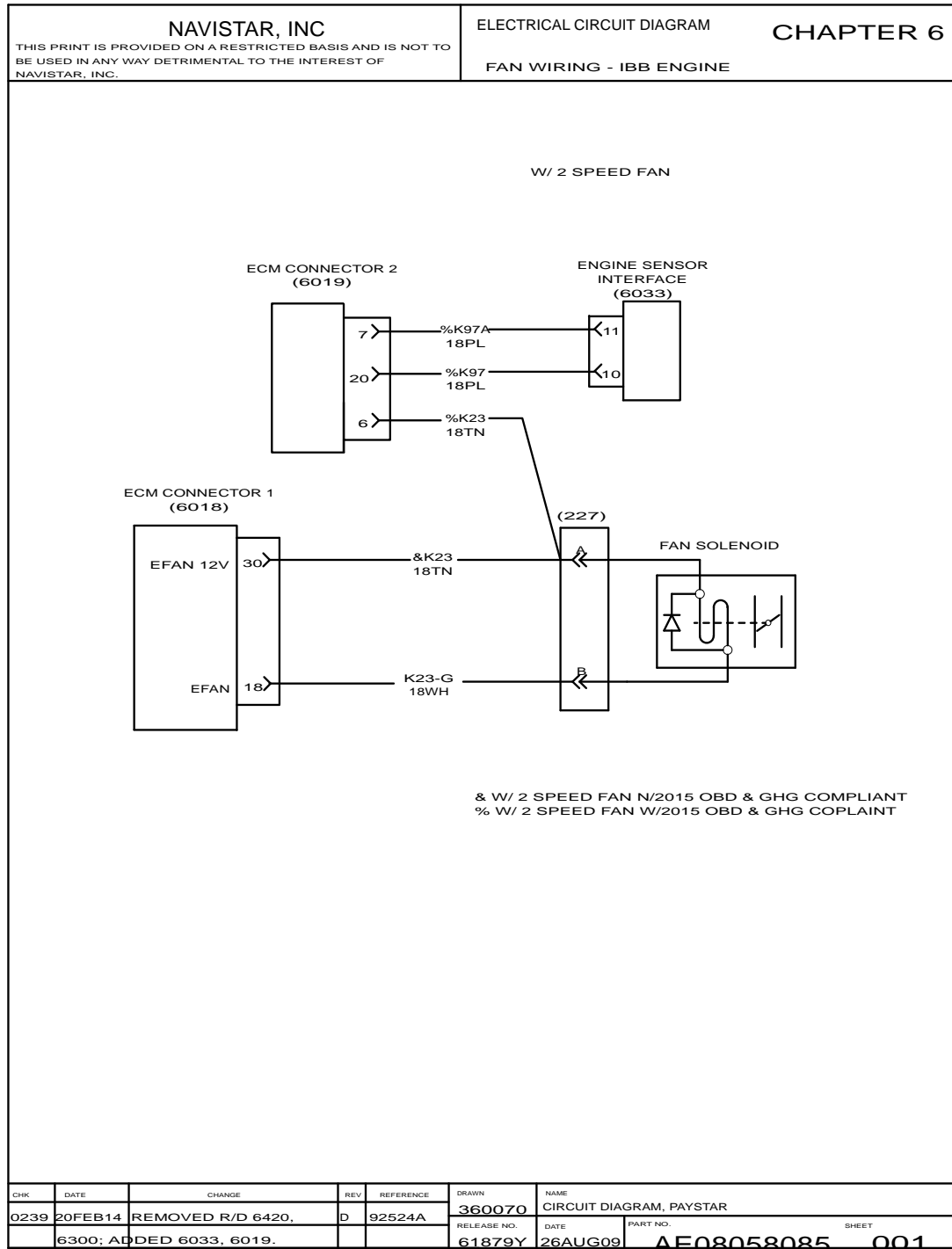


Figure 71 Fan Wiring – IBB Engine

7.8. ELECTRONIC ENGINE CONTROLS (2010 IBB ENGINE) (CONT.), P. 6

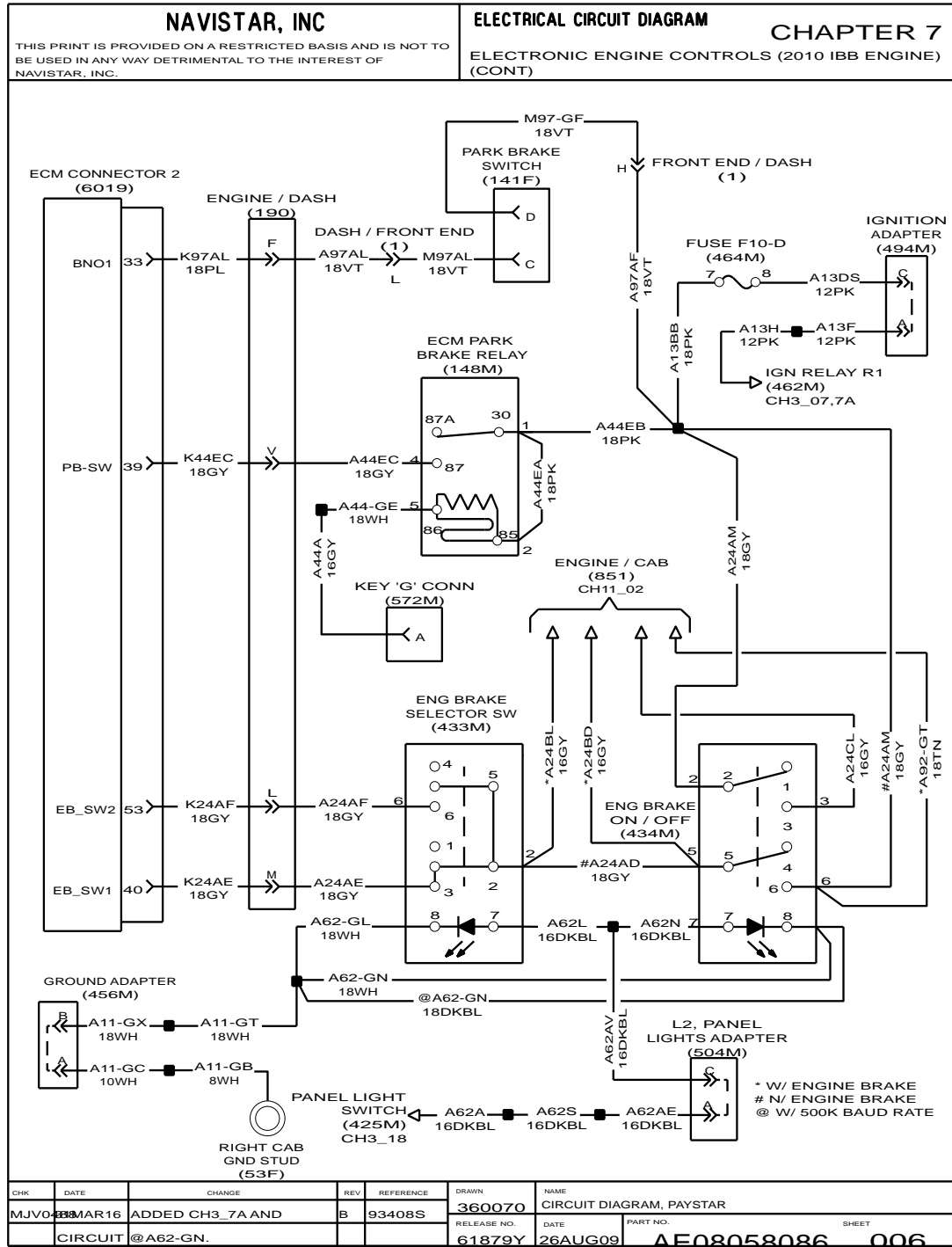


Figure 81 Electronic Engine Controls (2010 IBB Engine) (Cont.)

7.18. 15L ENG & CRUISE CONTROL – ISX 2013, P. 13

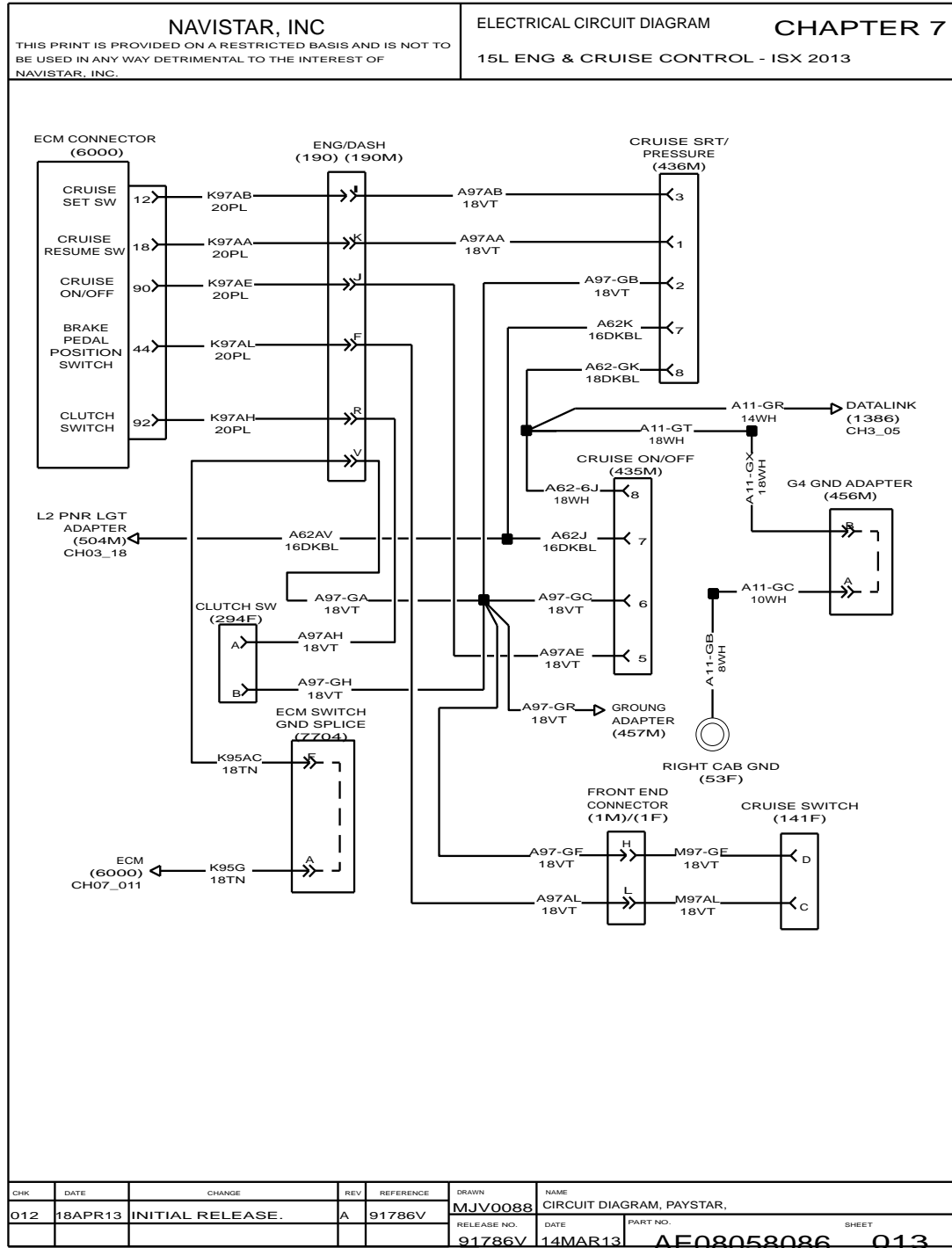


Figure 91 15L Eng & Cruise Control – ISX 2013

7.28. ISX 2013 DEF & AFTERTREATMENT (15L) (CONT.), P. 23

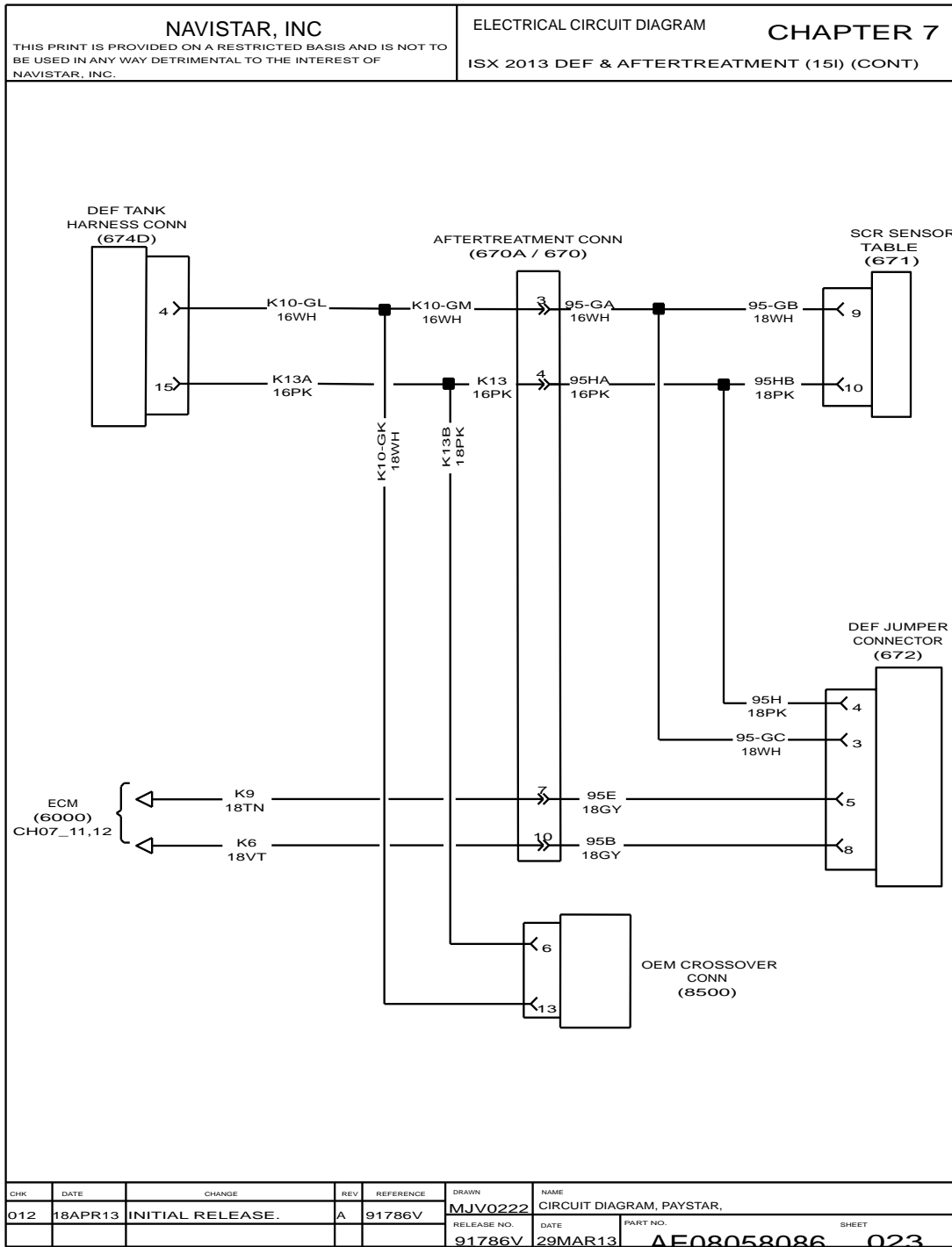


Figure 101 ISX 2013 DEF & Aftertreatment (15L) (Cont.)

8.3. POWER DIVIDER LOCK (PDL) WARNING LIGHT AND BUZZER, IBB WAIT TO START LIGHT, P. 3

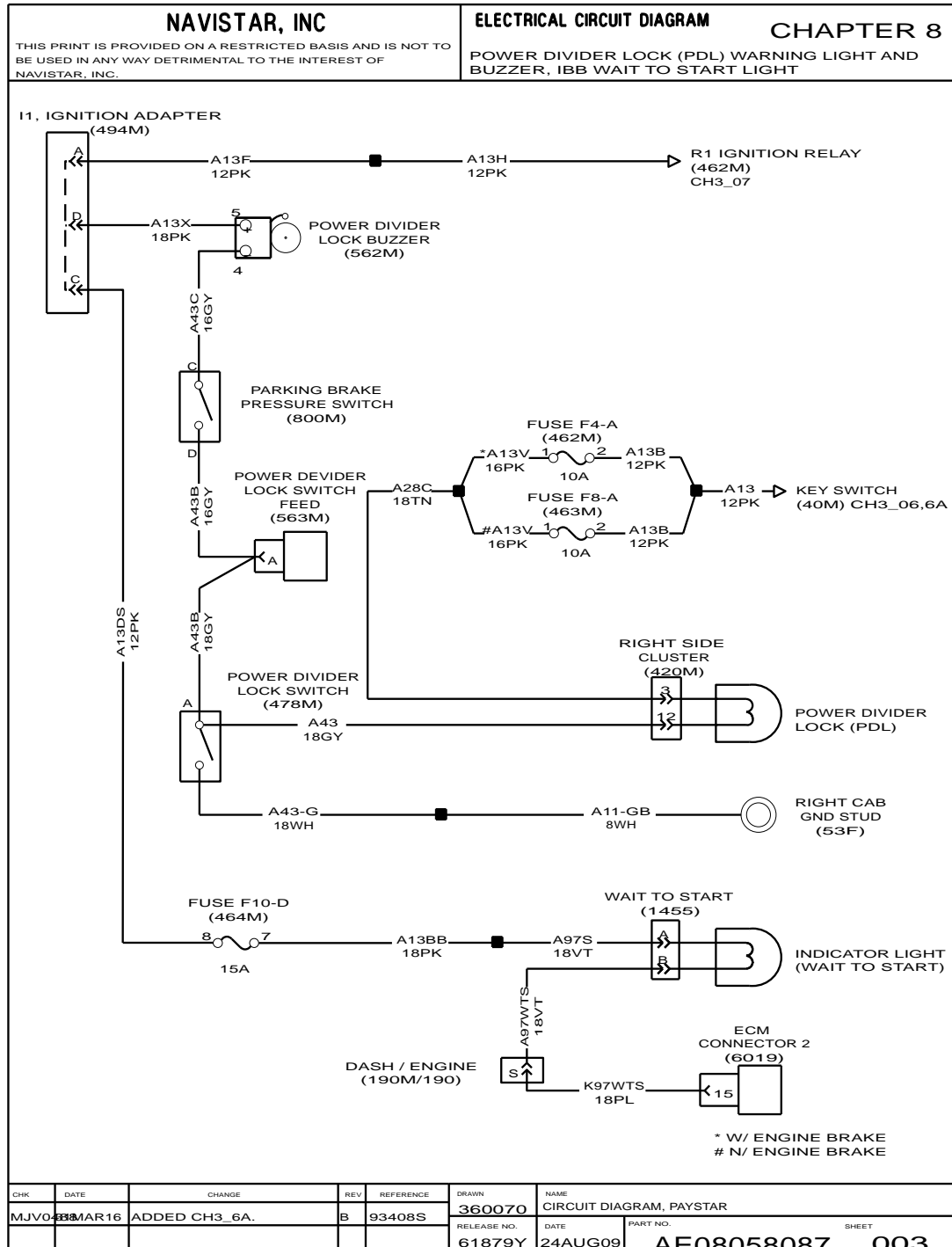


Figure 111 Power Divider Lock (PDL) Warning Light and Buzzer, IBB Wait To Start Light

9.2. CAB AND TRAILER LIGHT SWITCH AND RELAY, P. 2

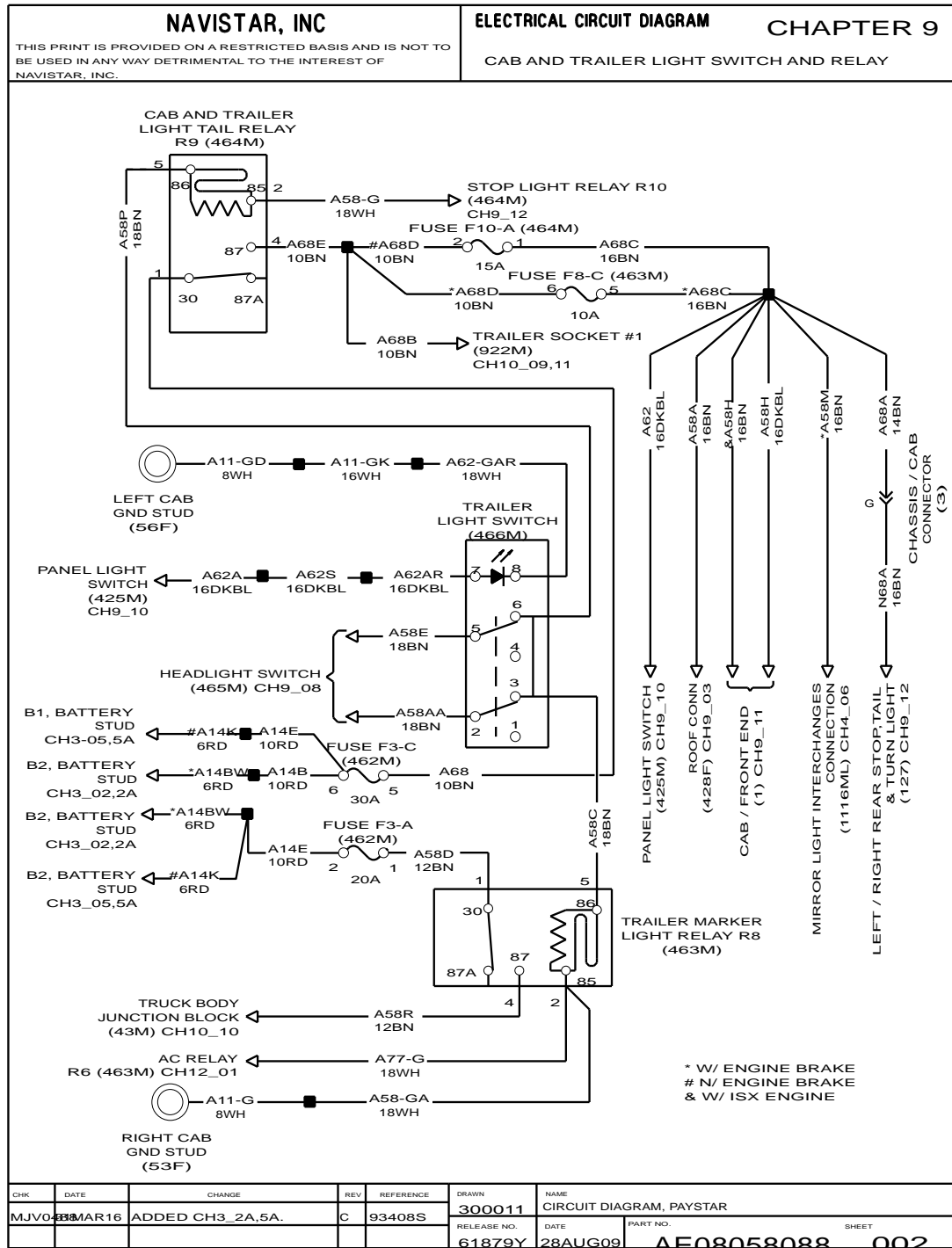


Figure 121 Cab and Trailer Light Switch and Relay

9.12. PARK / TURN / SIDE MARKER LIGHTS WITH AUXILIARY HEADLIGHTS, P. 11

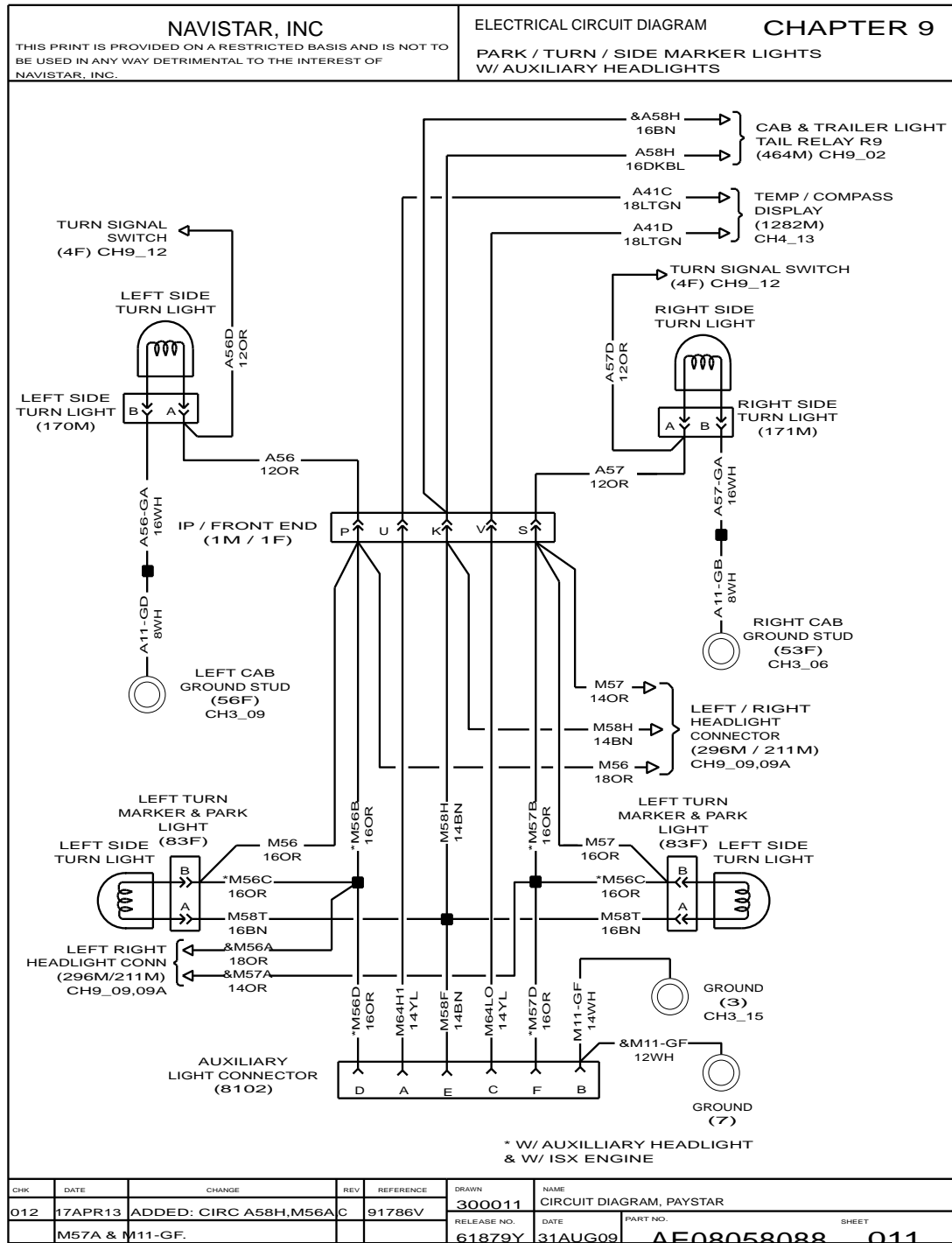


Figure 131 Park / Turn / Side Marker Lights with Auxiliary Headlights

10.8. BENDIX AIR ABS 6CH WITH ATC WITH HSA, P. 8

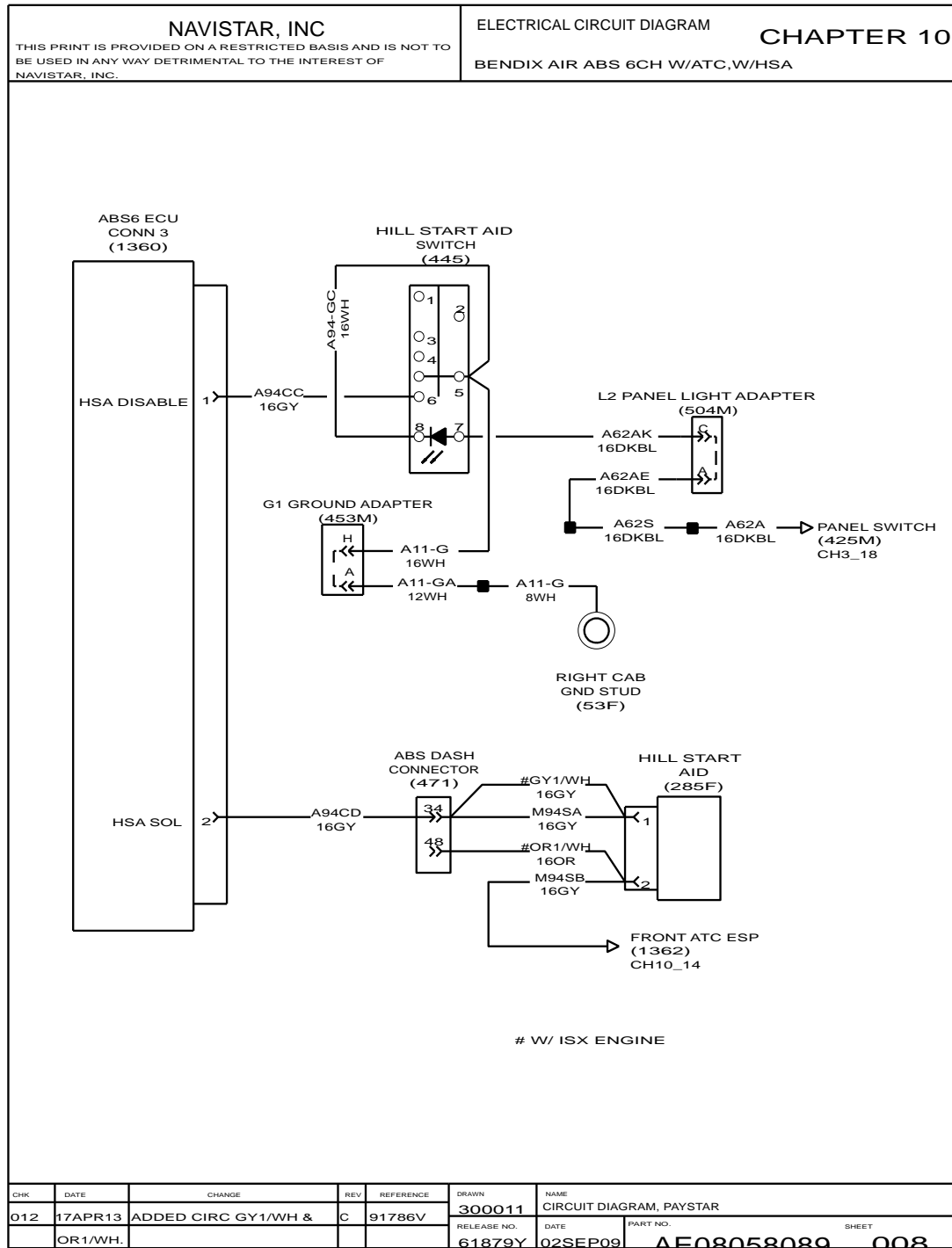


Figure 141 Bendix Air ABS 6CH with ATC with HSA

10.18. TRAILER CONNECTION WITHOUT SLEEPER BACK OF CAB MOUNTED WITH TRACTOR ABS, P. 18

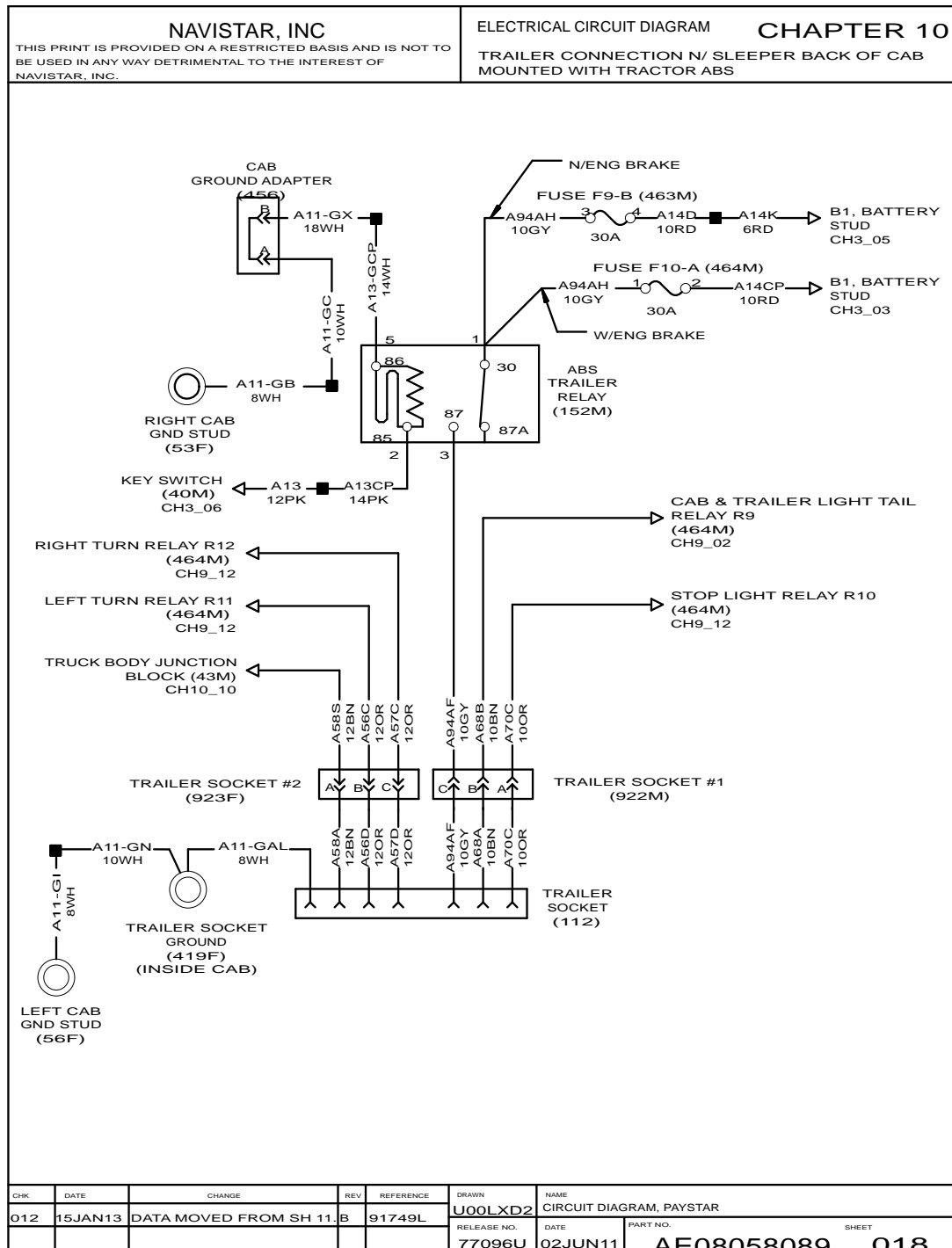


Figure 151 Trailer Connection without Sleeper Back of Cab Mounted with Tractor ABS

CLICK HERE TO **DOWNLOAD** THE COMPLETE MANUAL

- Thank you very much for reading the preview of the manual.
- You can download the complete manual from: www.heydownloads.com by clicking the link below



- Please note: If there is no response to CLICKING the link, please download this PDF first and then click on it.

CLICK HERE TO **DOWNLOAD** THE COMPLETE MANUAL

11.2. ALLISON TRANSMISSION (CONT.), P. 1A

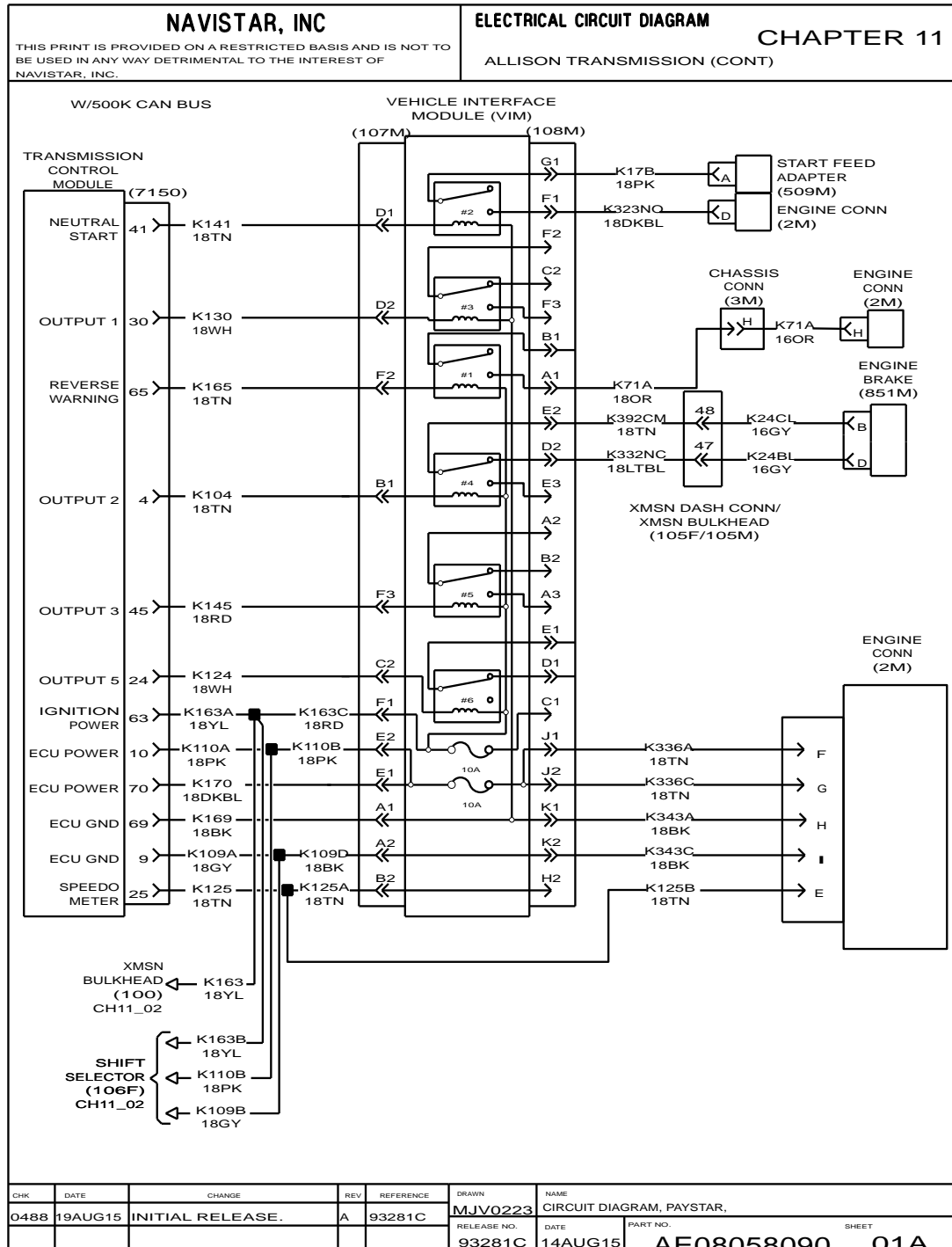


Figure 161 Allison Transmission (Cont.)

11.12. ALLISON TRANSMISSION WITH RETARDER (CONT.), P. 7B

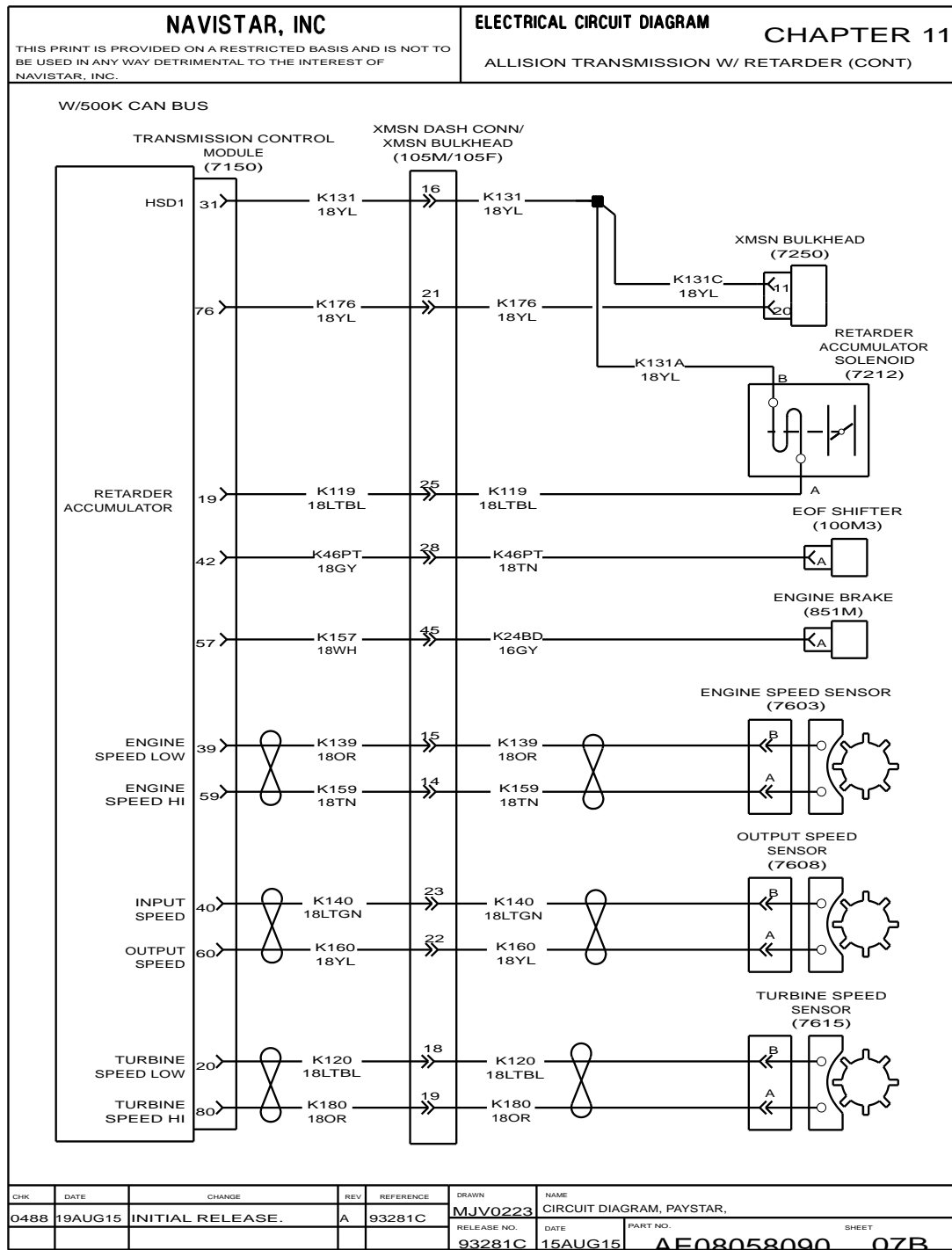


Figure 171 Allison Transmission with Retarder (Cont.)

11.22. EATON ULTRASHIFT PLUS GEN III WITH COBRA SHIFTER, P. 11A

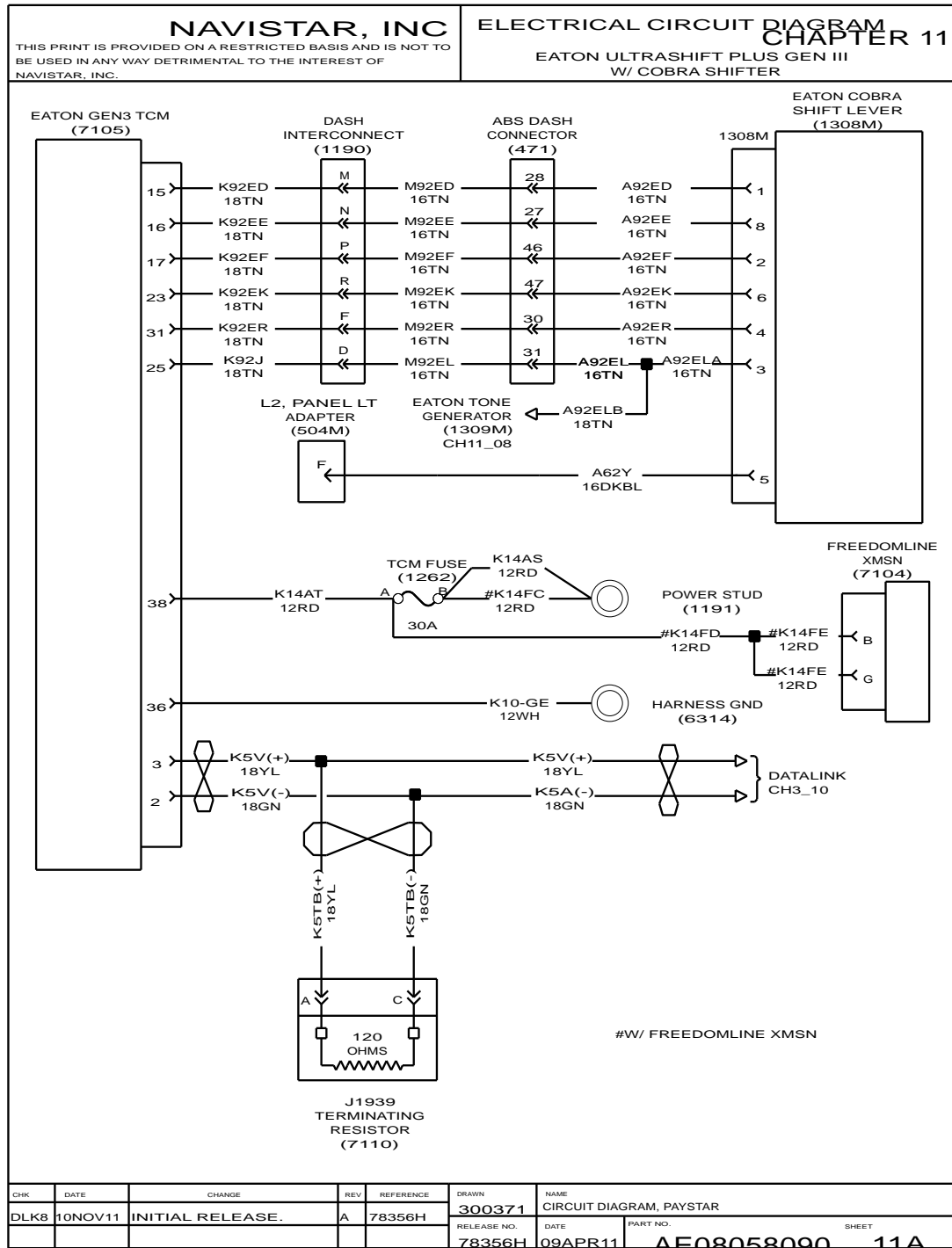


Figure 181 Eaton Ultrashift Plus Gen III with Cobra Shifter

13.4. CONNECTOR BODY COMPOSITE (2), P. 2B

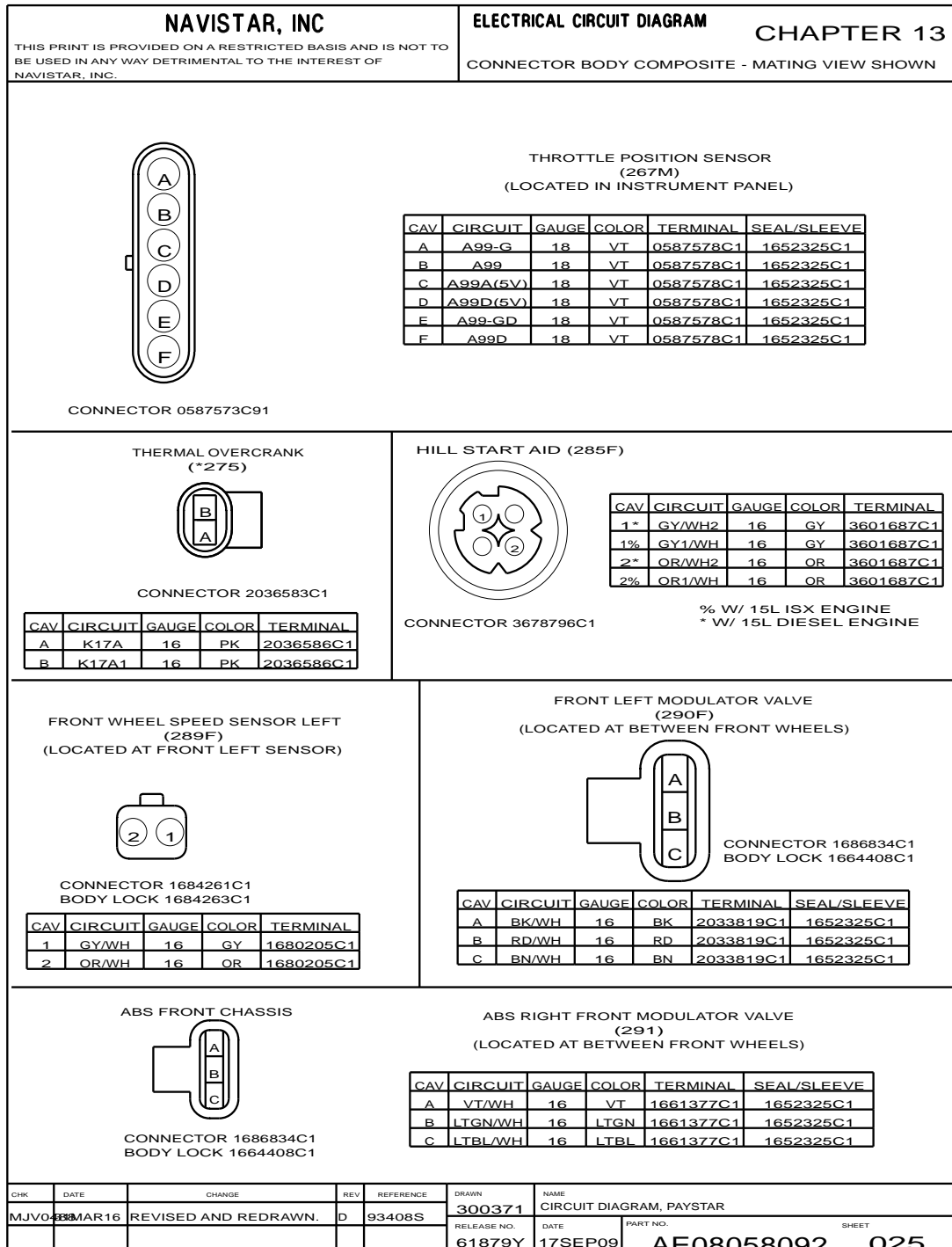


Figure 191 Connector Composites (2)

13.14. CONNECTOR COMPOSITES (105M), P. 10A

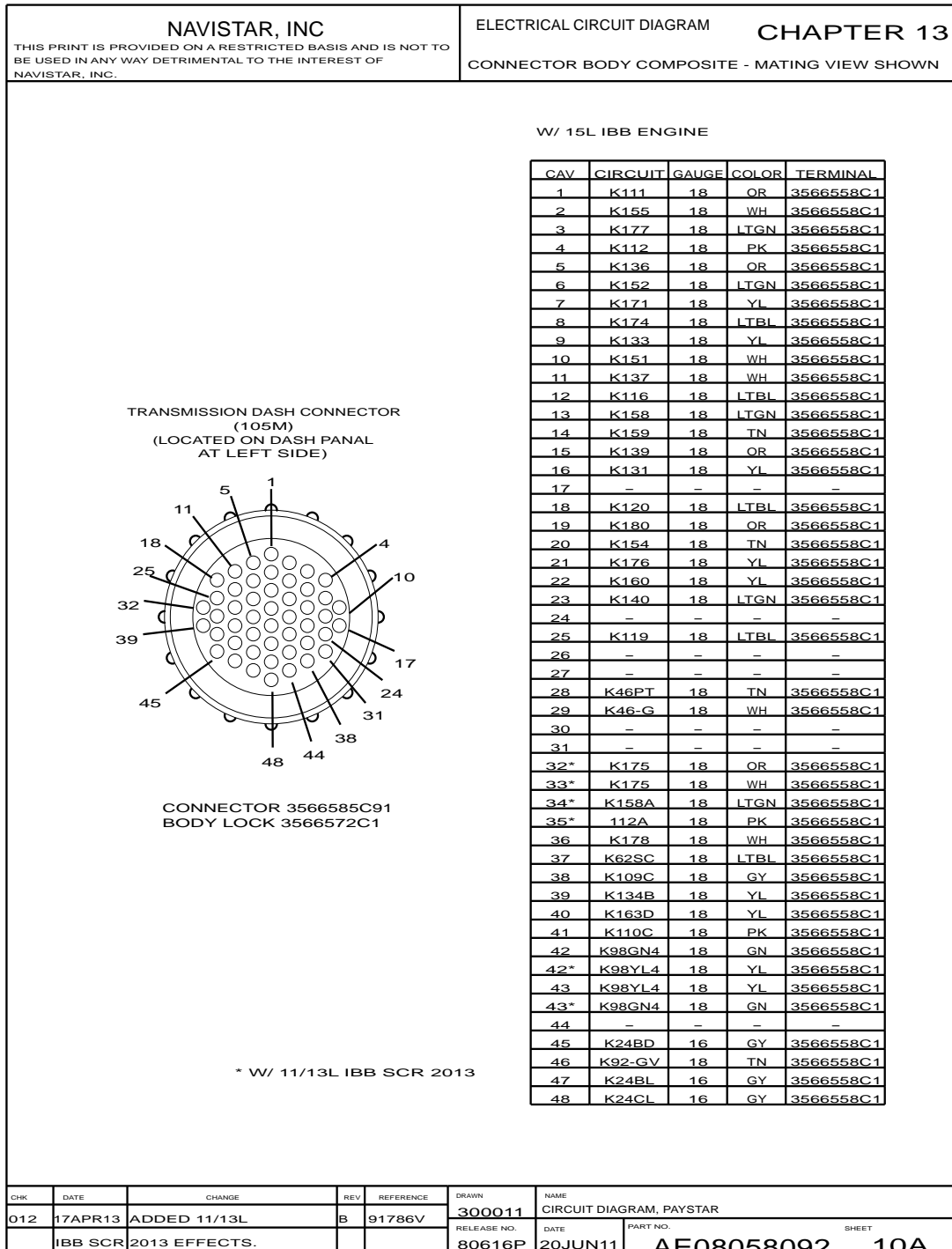


Figure 201 Connector Composites (105M)

13.24. CONNECTOR COMPOSITES (190), P. 20

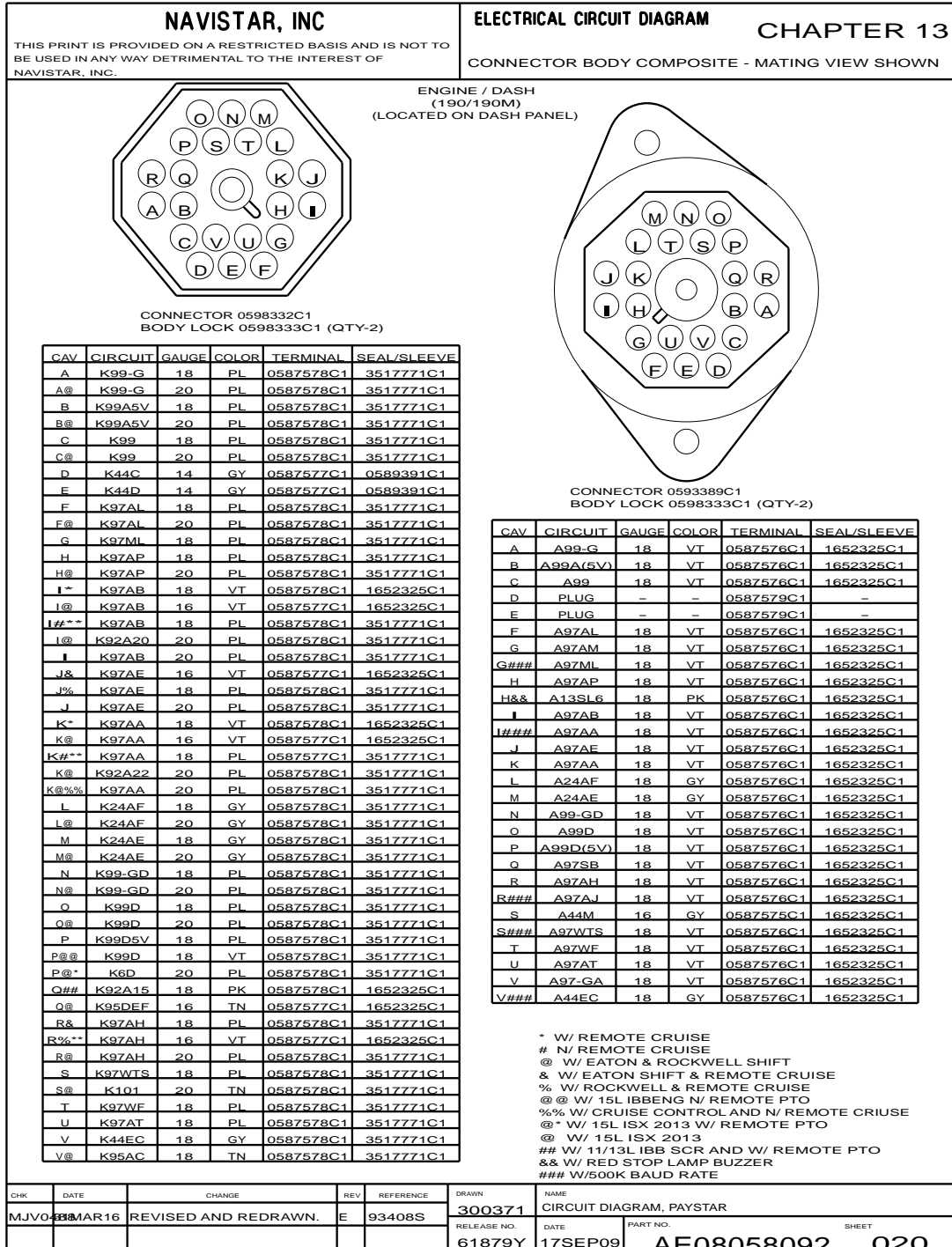


Figure 211 Connector Composites (190)

13.34. CONNECTOR COMPOSITES (303M / 311 / 312 / 313 / 314M), P. 28

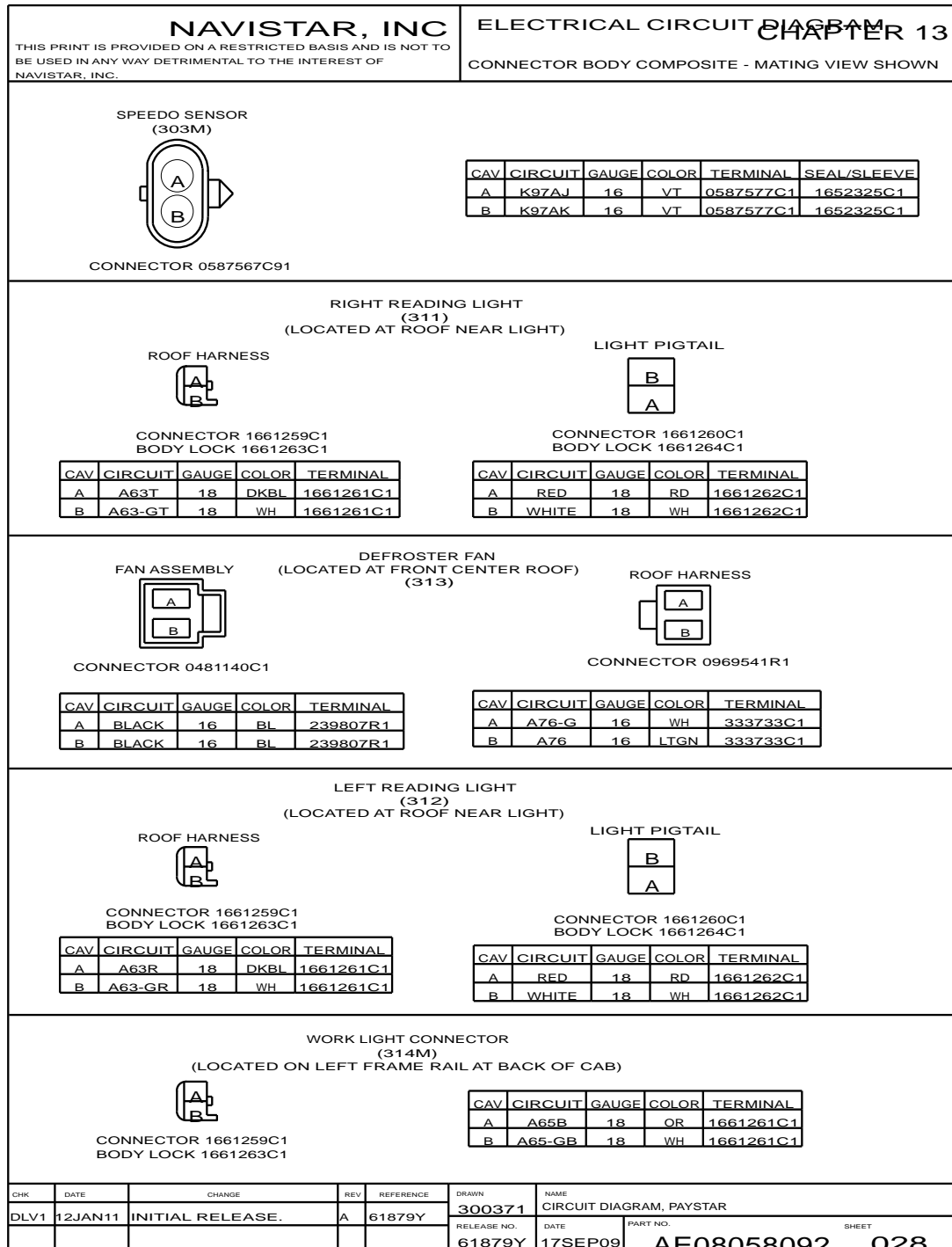


Figure 221 Connector Composites (303M / 311 / 312 / 313 / 314M)

13.44. CONNECTOR COMPOSITES (436M / 437M / 438M / 440M), P. 37

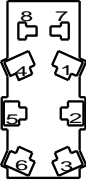
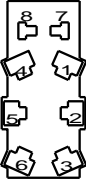

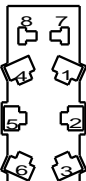
NAVISTAR, INC <small>THIS PRINT IS PROVIDED ON A RESTRICTED BASIS AND IS NOT TO BE USED IN ANY WAY DETRIMENTAL TO THE INTEREST OF NAVISTAR, INC.</small>				ELECTRICAL CIRCUIT DIAGRAM CHAPTER 13 CONNECTOR BODY COMPOSITE - MATING VIEW SHOWN																																																								
CRUISE SET/ RESUME SWITCH (436M)																																																												
		<table border="1" style="width:100%; border-collapse: collapse; font-size: small;"> <thead> <tr> <th>CAV</th> <th>CIRCUIT</th> <th>GAUGE</th> <th>COLOR</th> <th>TERMINAL</th> </tr> </thead> <tbody> <tr><td>1</td><td>A97AA</td><td>18</td><td>VT</td><td>1661224C1</td></tr> <tr><td>2</td><td>A97CS</td><td>18</td><td>VT</td><td>1661224C1</td></tr> <tr><td>2%</td><td>A97-GB</td><td>18</td><td>VT</td><td>1661224C1</td></tr> <tr><td>3</td><td>A97AB</td><td>18</td><td>VT</td><td>1661224C1</td></tr> <tr><td>4</td><td>-</td><td>-</td><td>-</td><td>-</td></tr> <tr><td>5</td><td>-</td><td>-</td><td>-</td><td>-</td></tr> <tr><td>6</td><td>-</td><td>-</td><td>-</td><td>-</td></tr> <tr><td>7</td><td>A62K</td><td>16</td><td>DKBL</td><td>1661209C1</td></tr> <tr><td>8#</td><td>A62-GK</td><td>18</td><td>DKBL</td><td>1661208C1</td></tr> <tr><td>8*</td><td>A62-GK</td><td>18</td><td>WH</td><td>1661208C1</td></tr> </tbody> </table>			CAV	CIRCUIT	GAUGE	COLOR	TERMINAL	1	A97AA	18	VT	1661224C1	2	A97CS	18	VT	1661224C1	2%	A97-GB	18	VT	1661224C1	3	A97AB	18	VT	1661224C1	4	-	-	-	-	5	-	-	-	-	6	-	-	-	-	7	A62K	16	DKBL	1661209C1	8#	A62-GK	18	DKBL	1661208C1	8*	A62-GK	18	WH	1661208C1	* W/ ENGINE BRAKE # N/ ENGINE BRAKE % W/ 15L ISX ENG
CAV	CIRCUIT	GAUGE	COLOR	TERMINAL																																																								
1	A97AA	18	VT	1661224C1																																																								
2	A97CS	18	VT	1661224C1																																																								
2%	A97-GB	18	VT	1661224C1																																																								
3	A97AB	18	VT	1661224C1																																																								
4	-	-	-	-																																																								
5	-	-	-	-																																																								
6	-	-	-	-																																																								
7	A62K	16	DKBL	1661209C1																																																								
8#	A62-GK	18	DKBL	1661208C1																																																								
8*	A62-GK	18	WH	1661208C1																																																								
CONNECTOR 2009385C1																																																												
RIGHT MOTORIZED MIRROR SWITCH (437M)																																																												
		<table border="1" style="width:100%; border-collapse: collapse; font-size: small;"> <thead> <tr> <th>CAV</th> <th>CIRCUIT</th> <th>GAUGE</th> <th>COLOR</th> <th>TERMINAL</th> </tr> </thead> <tbody> <tr><td>1</td><td>A78E</td><td>18</td><td>LTGN</td><td>1661224C1</td></tr> <tr><td>2</td><td>A78-GA</td><td>18</td><td>WH</td><td>1661224C1</td></tr> <tr><td>3</td><td>-</td><td>-</td><td>-</td><td>-</td></tr> <tr><td>4</td><td>A78F</td><td>18</td><td>LTGN</td><td>1661224C1</td></tr> <tr><td>5</td><td>A78D</td><td>16</td><td>LTGN</td><td>1661226C1</td></tr> <tr><td>6</td><td>-</td><td>-</td><td>-</td><td>-</td></tr> <tr><td>7</td><td>A62AW1</td><td>16</td><td>DKBL</td><td>1661209C1</td></tr> <tr><td>8</td><td>A62-GAY</td><td>18</td><td>WH</td><td>1661208C1</td></tr> </tbody> </table>			CAV	CIRCUIT	GAUGE	COLOR	TERMINAL	1	A78E	18	LTGN	1661224C1	2	A78-GA	18	WH	1661224C1	3	-	-	-	-	4	A78F	18	LTGN	1661224C1	5	A78D	16	LTGN	1661226C1	6	-	-	-	-	7	A62AW1	16	DKBL	1661209C1	8	A62-GAY	18	WH	1661208C1											
CAV	CIRCUIT	GAUGE	COLOR	TERMINAL																																																								
1	A78E	18	LTGN	1661224C1																																																								
2	A78-GA	18	WH	1661224C1																																																								
3	-	-	-	-																																																								
4	A78F	18	LTGN	1661224C1																																																								
5	A78D	16	LTGN	1661226C1																																																								
6	-	-	-	-																																																								
7	A62AW1	16	DKBL	1661209C1																																																								
8	A62-GAY	18	WH	1661208C1																																																								
CONNECTOR 2009385C1																																																												
HEATED MIRROR SWITCH (438M)																																																												
		<table border="1" style="width:100%; border-collapse: collapse; font-size: small;"> <thead> <tr> <th>CAV</th> <th>CIRCUIT</th> <th>GAUGE</th> <th>COLOR</th> <th>TERMINAL</th> </tr> </thead> <tbody> <tr><td>1</td><td>A78-G</td><td>18</td><td>WH</td><td>1661224C1</td></tr> <tr><td>2</td><td>-</td><td>-</td><td>-</td><td>-</td></tr> <tr><td>3</td><td>-</td><td>-</td><td>-</td><td>-</td></tr> <tr><td>4</td><td>-</td><td>-</td><td>-</td><td>-</td></tr> <tr><td>5</td><td>A78</td><td>16</td><td>LTGN</td><td>1661226C1</td></tr> <tr><td>6</td><td>A78A</td><td>18</td><td>LTGN</td><td>3541250C1</td></tr> <tr><td>6</td><td>A78B</td><td>18</td><td>LTGN</td><td>3541250C1</td></tr> <tr><td>7</td><td>A62AX</td><td>16</td><td>DKBL</td><td>1661209C1</td></tr> <tr><td>8</td><td>A62-GAX</td><td>18</td><td>WH</td><td>1661208C1</td></tr> </tbody> </table>			CAV	CIRCUIT	GAUGE	COLOR	TERMINAL	1	A78-G	18	WH	1661224C1	2	-	-	-	-	3	-	-	-	-	4	-	-	-	-	5	A78	16	LTGN	1661226C1	6	A78A	18	LTGN	3541250C1	6	A78B	18	LTGN	3541250C1	7	A62AX	16	DKBL	1661209C1	8	A62-GAX	18	WH	1661208C1						
CAV	CIRCUIT	GAUGE	COLOR	TERMINAL																																																								
1	A78-G	18	WH	1661224C1																																																								
2	-	-	-	-																																																								
3	-	-	-	-																																																								
4	-	-	-	-																																																								
5	A78	16	LTGN	1661226C1																																																								
6	A78A	18	LTGN	3541250C1																																																								
6	A78B	18	LTGN	3541250C1																																																								
7	A62AX	16	DKBL	1661209C1																																																								
8	A62-GAX	18	WH	1661208C1																																																								
CONNECTOR 2009385C1																																																												
FOG LIGHT SWITCH (440M)																																																												
		<table border="1" style="width:100%; border-collapse: collapse; font-size: small;"> <thead> <tr> <th>CAV</th> <th>CIRCUIT</th> <th>GAUGE</th> <th>COLOR</th> <th>TERMINAL</th> </tr> </thead> <tbody> <tr><td>1</td><td>A64-G</td><td>18</td><td>WH</td><td>1661224C1</td></tr> <tr><td>2</td><td>-</td><td>-</td><td>-</td><td>-</td></tr> <tr><td>3</td><td>-</td><td>-</td><td>-</td><td>-</td></tr> <tr><td>4</td><td>-</td><td>-</td><td>-</td><td>-</td></tr> <tr><td>5</td><td>A64C</td><td>14</td><td>YL</td><td>1661226C1</td></tr> <tr><td>6</td><td>A64A</td><td>14</td><td>YL</td><td>1661226C1</td></tr> <tr><td>7</td><td>A62AN</td><td>16</td><td>DKBL</td><td>1661209C1</td></tr> <tr><td>8</td><td>A62-GAN</td><td>16</td><td>WH</td><td>1661209C1</td></tr> </tbody> </table>			CAV	CIRCUIT	GAUGE	COLOR	TERMINAL	1	A64-G	18	WH	1661224C1	2	-	-	-	-	3	-	-	-	-	4	-	-	-	-	5	A64C	14	YL	1661226C1	6	A64A	14	YL	1661226C1	7	A62AN	16	DKBL	1661209C1	8	A62-GAN	16	WH	1661209C1											
CAV	CIRCUIT	GAUGE	COLOR	TERMINAL																																																								
1	A64-G	18	WH	1661224C1																																																								
2	-	-	-	-																																																								
3	-	-	-	-																																																								
4	-	-	-	-																																																								
5	A64C	14	YL	1661226C1																																																								
6	A64A	14	YL	1661226C1																																																								
7	A62AN	16	DKBL	1661209C1																																																								
8	A62-GAN	16	WH	1661209C1																																																								
CONNECTOR 2009385C1																																																												
CHK	DATE	CHANGE	REV	REFERENCE	DRAWN	NAME																																																						
012	17APR13	ADDED CIRC:A97-GB	B	91786V	300371	CIRCUIT DIAGRAM, PAYSTAR																																																						
IN R/D	436M.				RELEASE NO.	DATE																																																						
					61879Y	17SEP09																																																						
					PART NO.	SHEET																																																						
					AE08058092	037																																																						

Figure 231 Connector Composites (436M / 437M / 438M / 440M)

13.54. CONNECTOR COMPOSITES (464M), P. 47

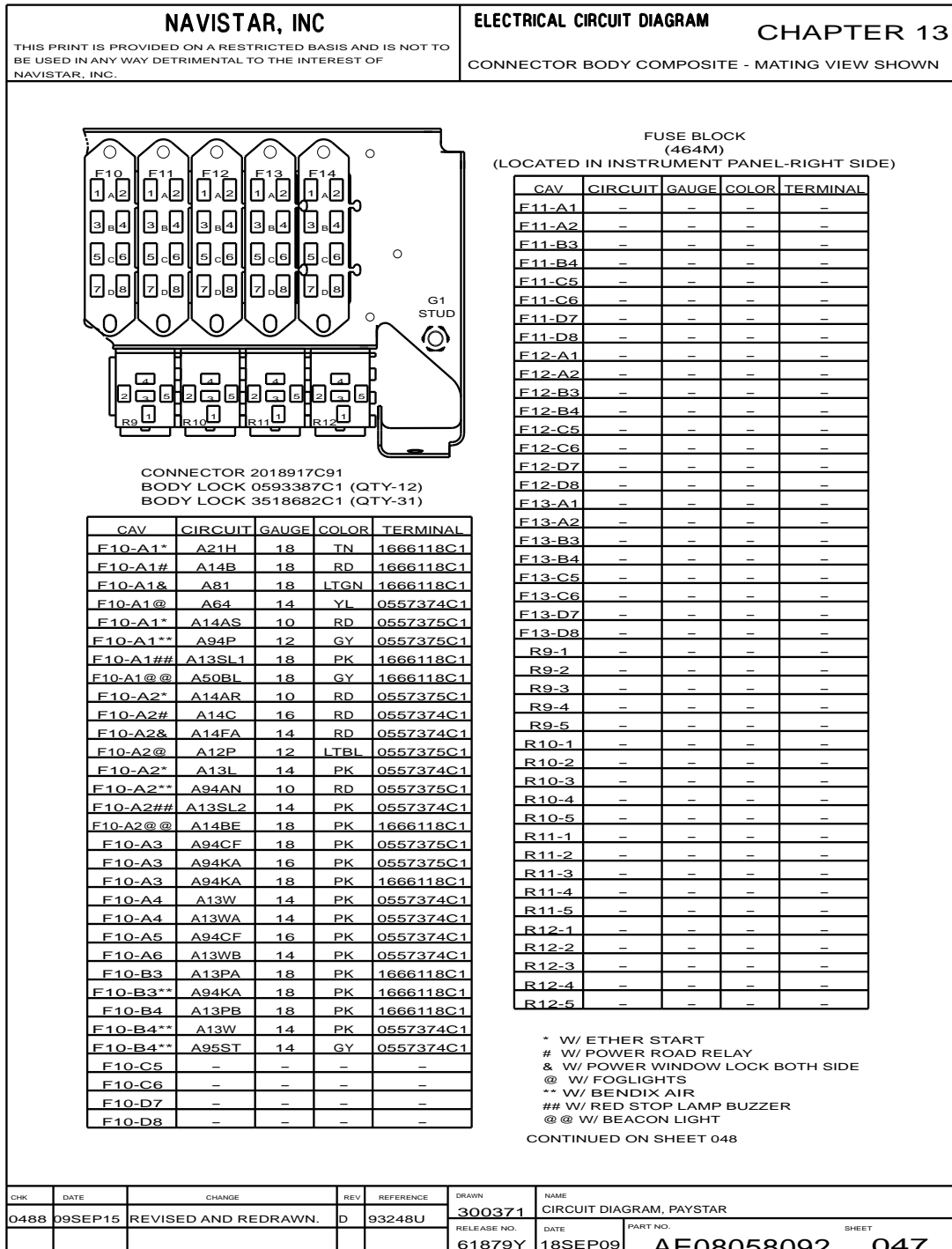


Figure 241 Connector Composites (464M)

13.64. CONNECTOR COMPOSITES (471), P. 55B

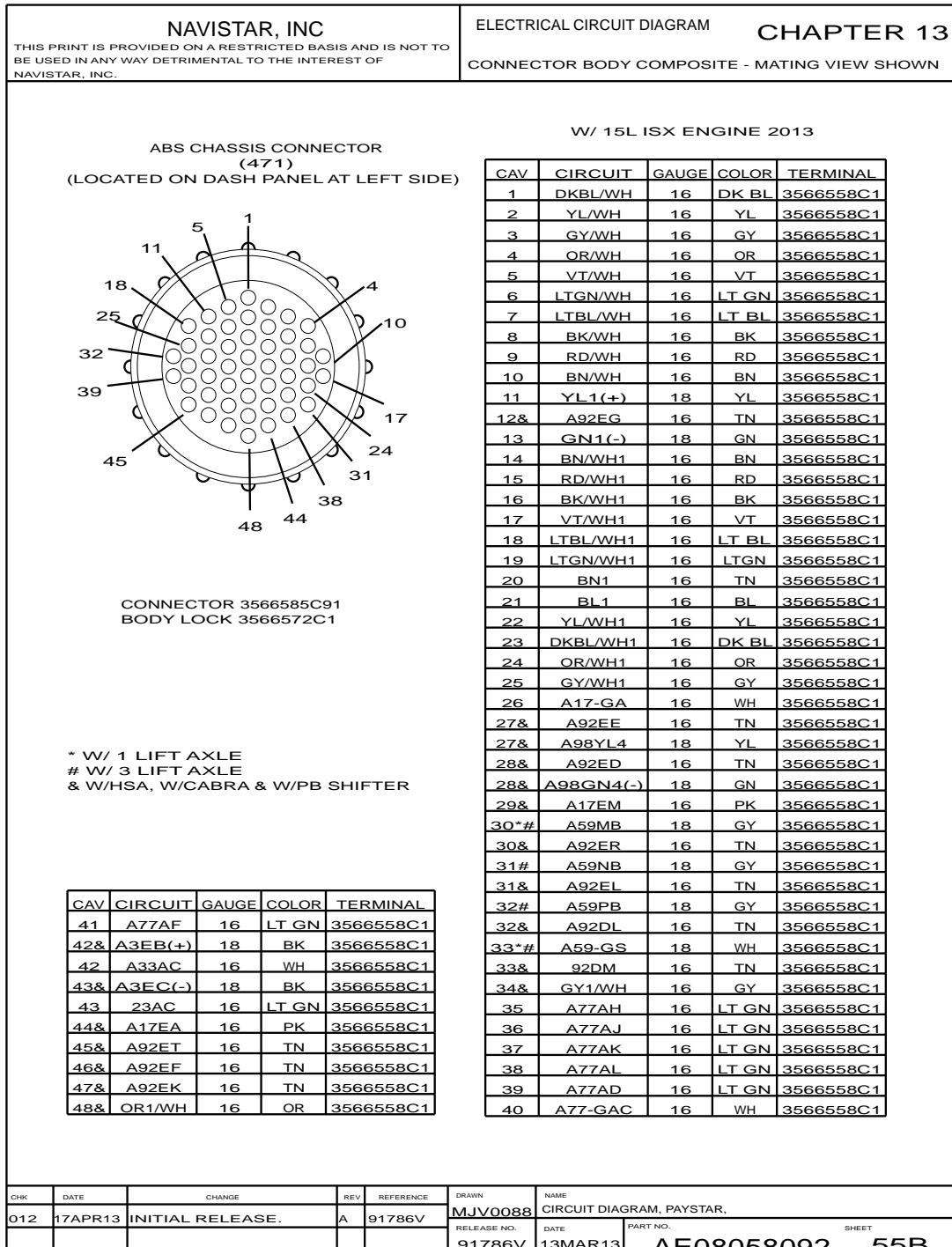


Figure 251 Connector Composites (471)

13.74. CONNECTOR COMPOSITES (515M / 517M / 520 / 521), P. 64

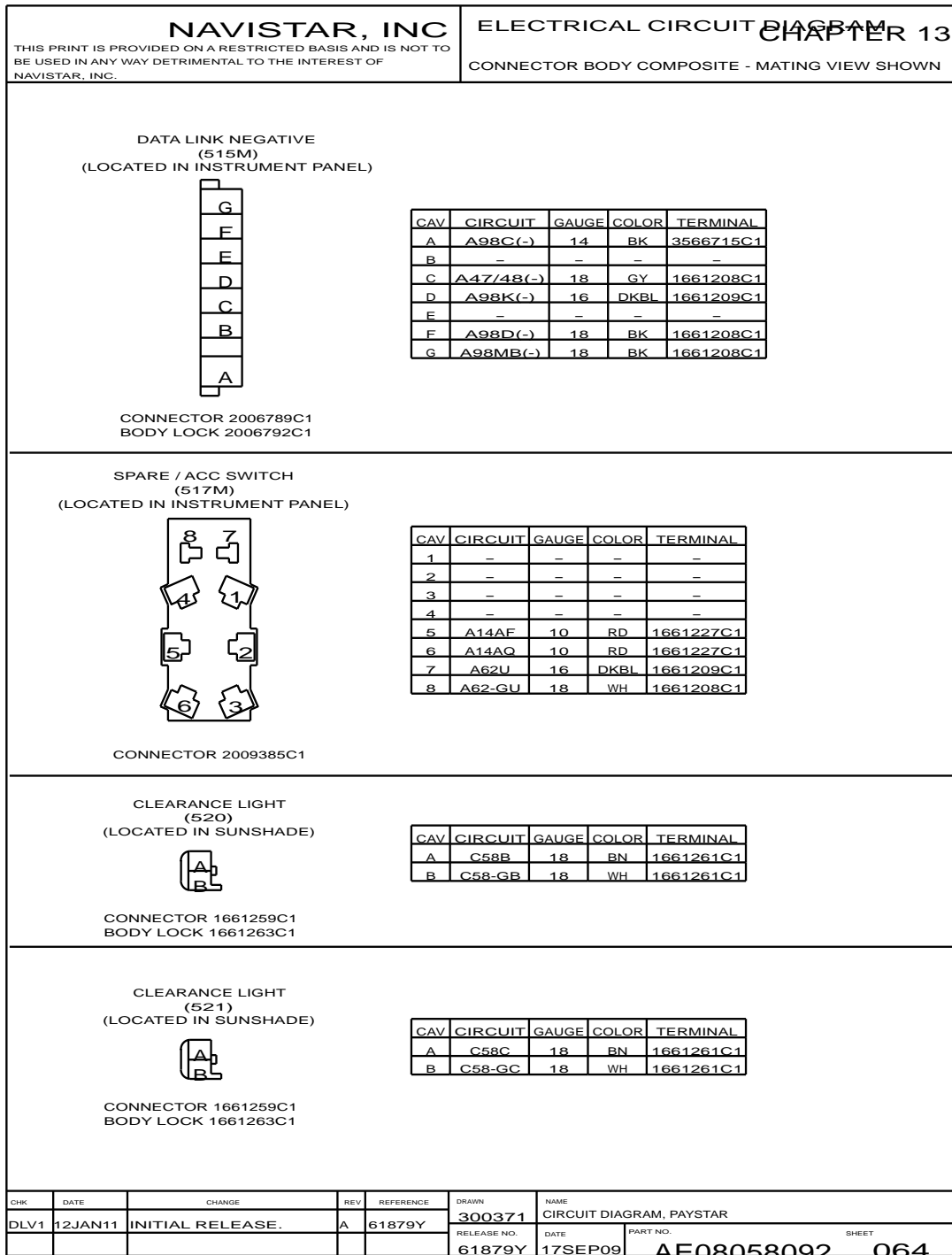


Figure 261 Connector Composites (515M / 517M / 520 / 521)

13.84. CONNECTOR COMPOSITES (*680 / *681), P. 67G

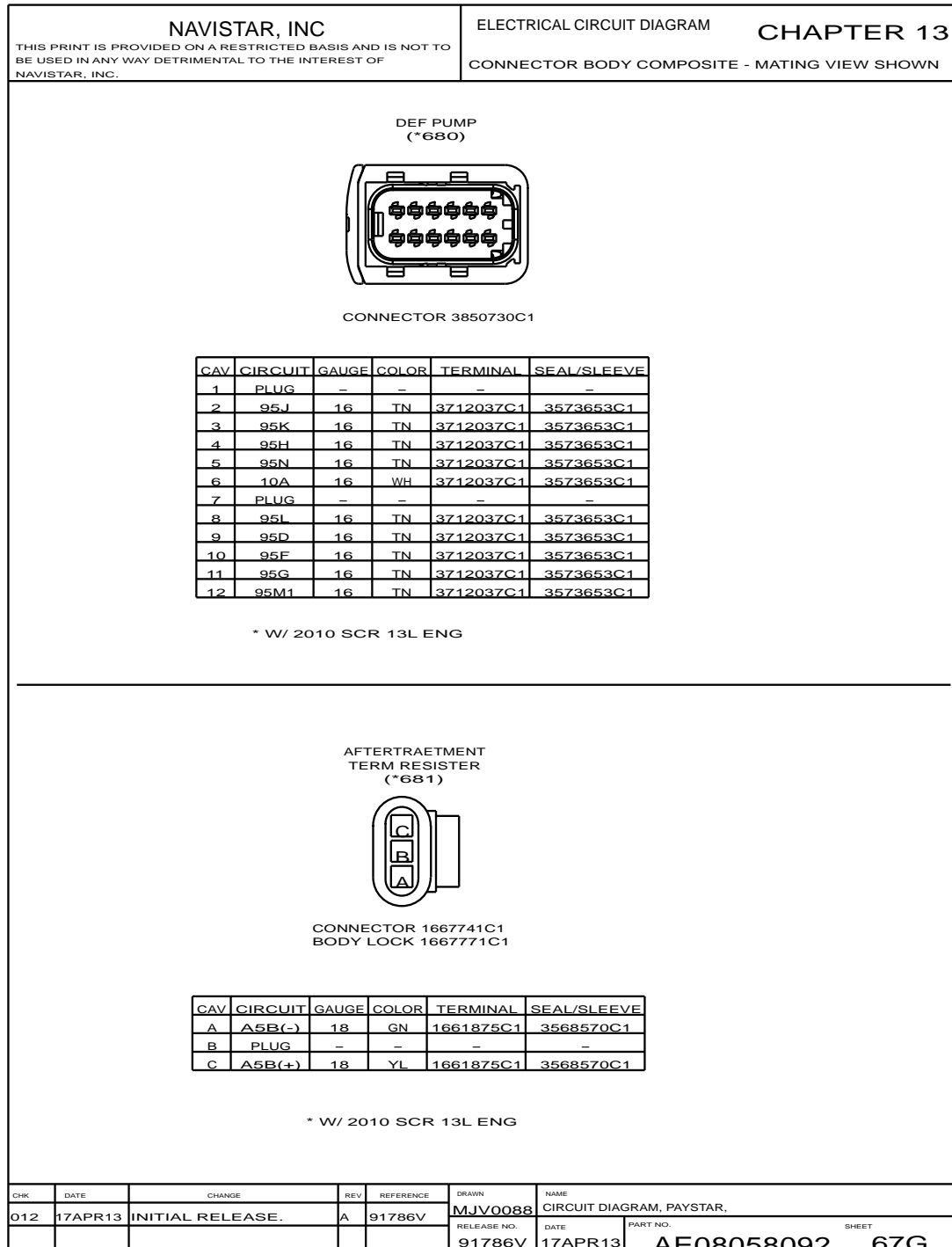


Figure 271 Connector Composites (*680 / *681)

13.94. CONNECTOR COMPOSITES (873 / 875M / 876M / 878F), P. 75

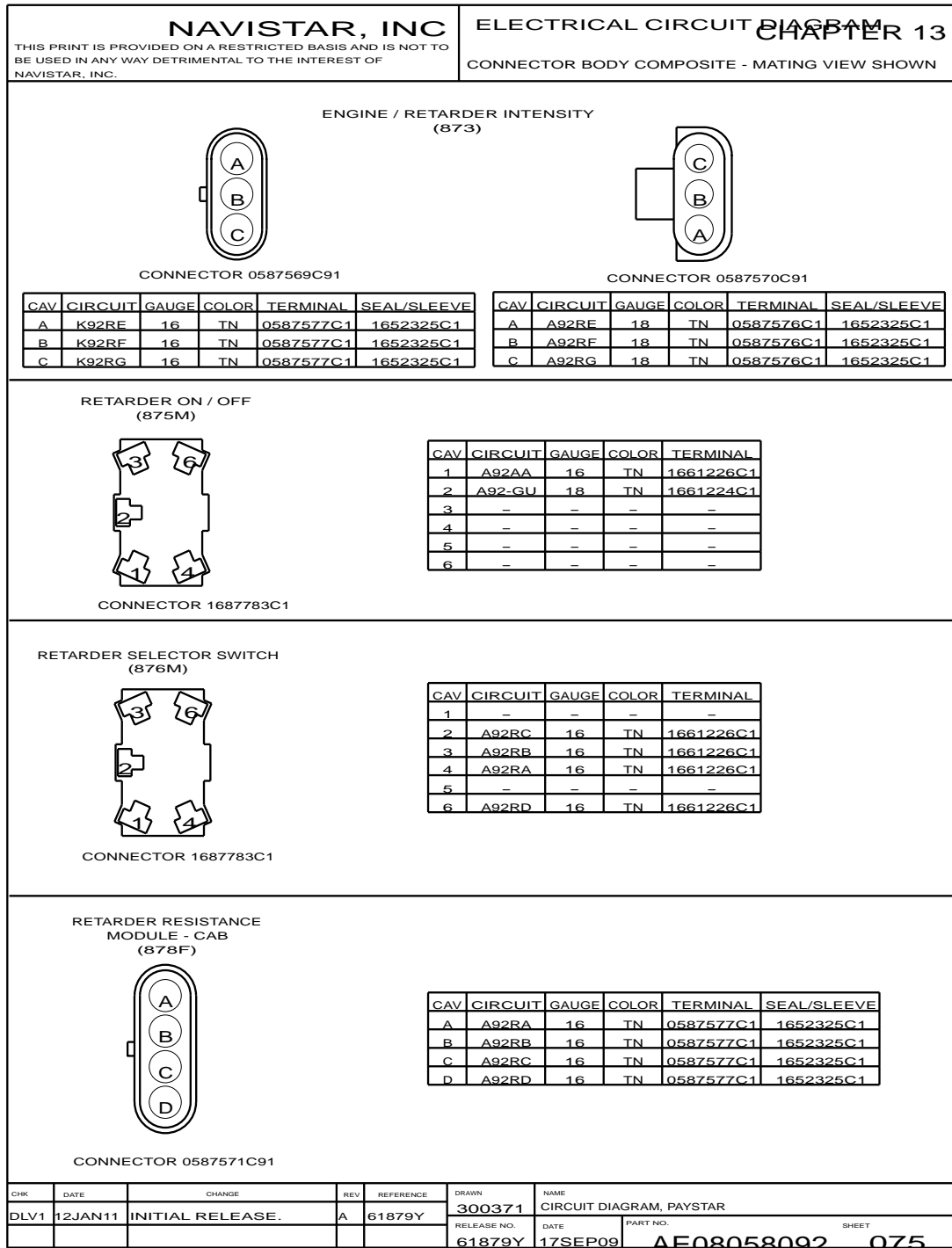


Figure 281 Connector Composites (873 / 875M / 876M / 878F)

13.104. CONNECTOR COMPOSITES (1045 / 1046 / 1047 / 1048F), P. 84

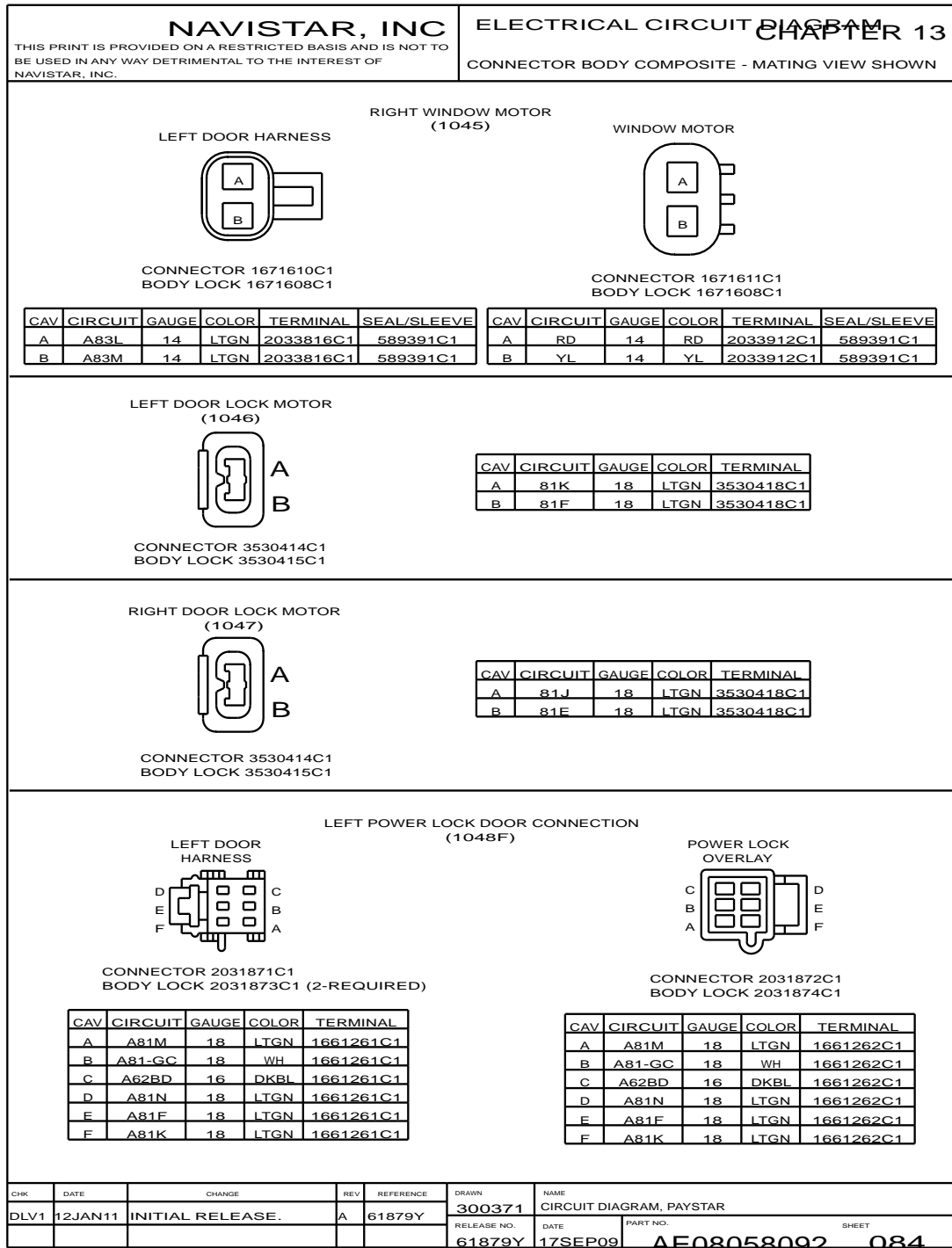


Figure 291 Connector Composites (1045 / 1046 / 1047 / 1048F)

13.114. CONNECTOR COMPOSITES (1217M / 1240 / 1258F / 1260F / 1262), P. 92

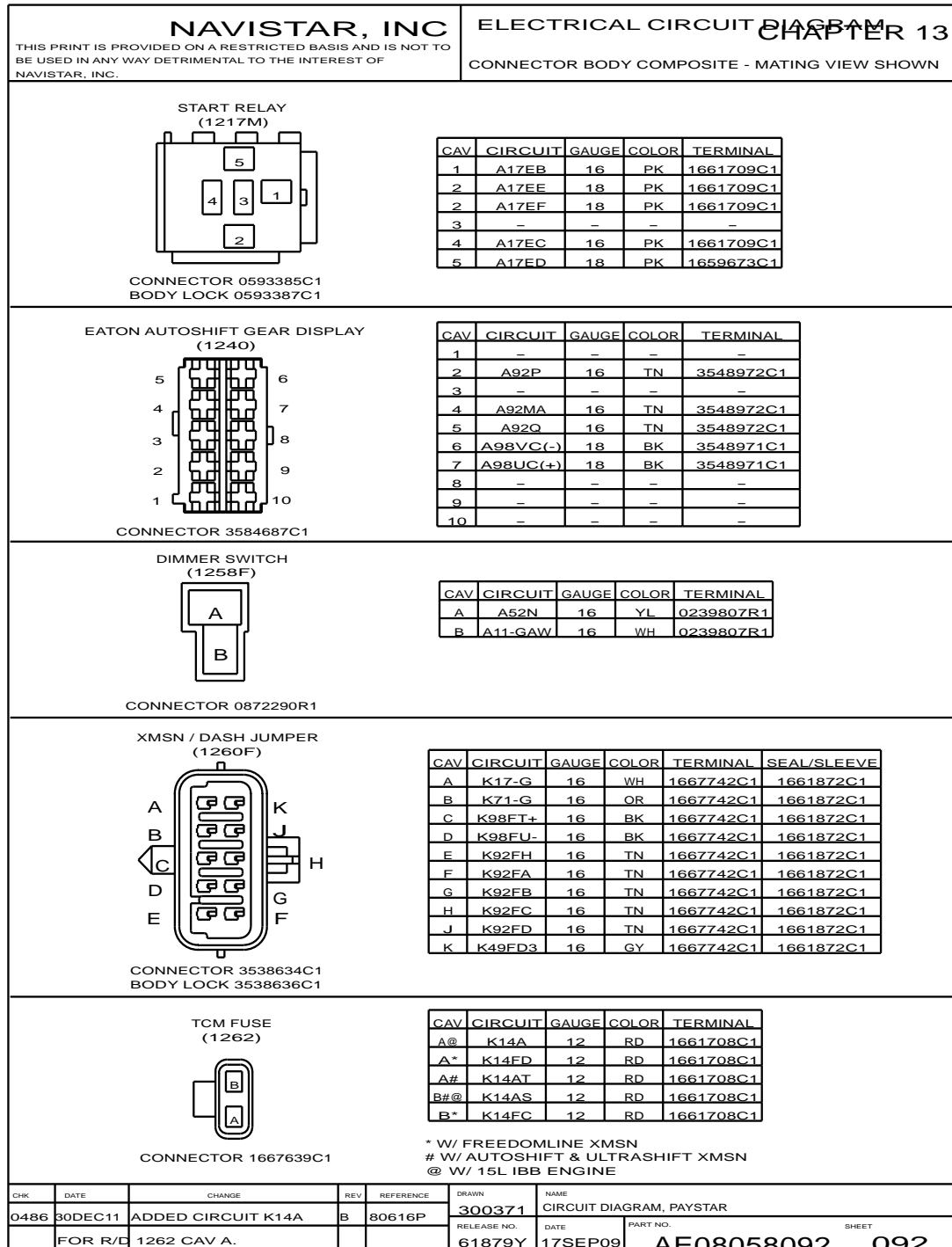


Figure 301 Connector Composites (1217M / 1240 / 1258F / 1260F / 1262)

13.124. CONNECTOR COMPOSITES (1402 / 1403 / 1404 / 1405), P. 99A

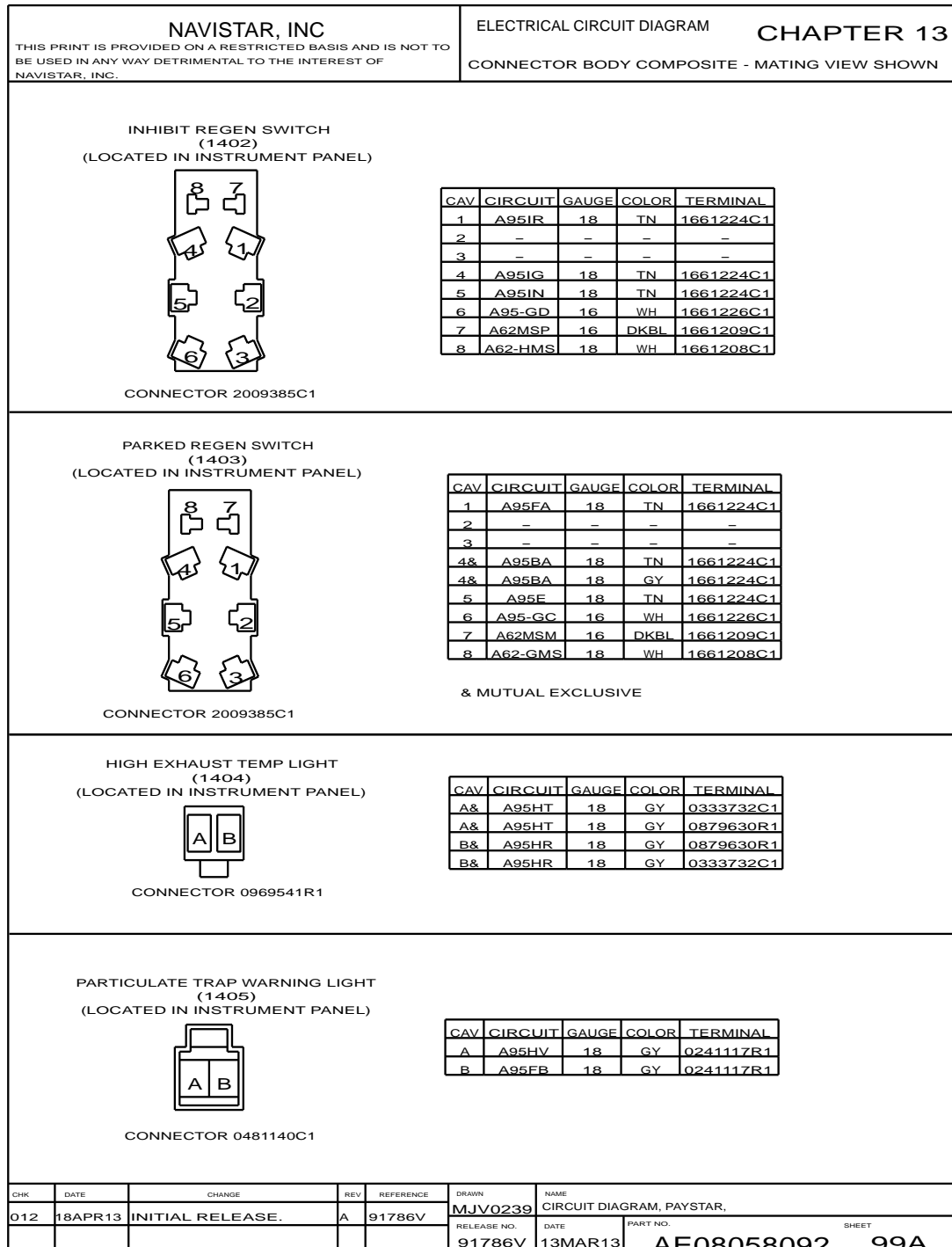


Figure 311 Connector Composites (1402 / 1403 / 1404 / 1405)

13.134. CONNECTOR COMPOSITES (6019), P. 103

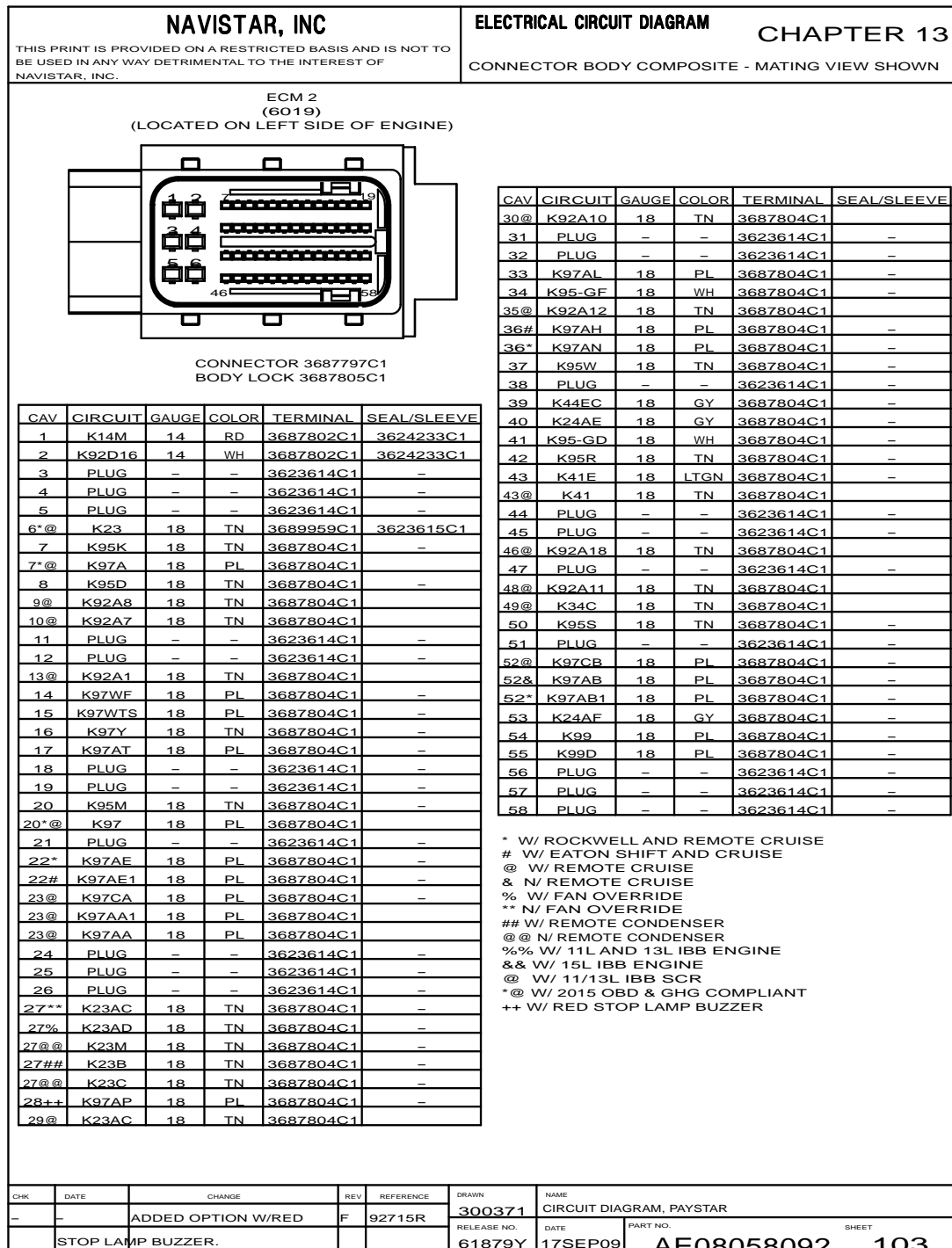


Figure 321 Connector Composites (6019)

CLICK HERE TO **DOWNLOAD** THE COMPLETE MANUAL

- Thank you very much for reading the preview of the manual.
- You can download the complete manual from: www.heydownloads.com by clicking the link below



- Please note: If there is no response to CLICKING the link, please download this PDF first and then click on it.

CLICK HERE TO **DOWNLOAD** THE COMPLETE MANUAL