



---

## Electrical Wiring Diagrams

---



## RANGE ROVER SPORT (LHD)

(1a) VIN: 262776 >

---

CLICK HERE TO **DOWNLOAD** THE COMPLETE MANUAL

- Thank you very much for reading the preview of the manual.
- You can download the complete manual from: [www.heydownloads.com](http://www.heydownloads.com) by clicking the link below



- Please note: If there is no response to CLICKING the link, please download this PDF first and then click on it.

CLICK HERE TO **DOWNLOAD** THE COMPLETE MANUAL

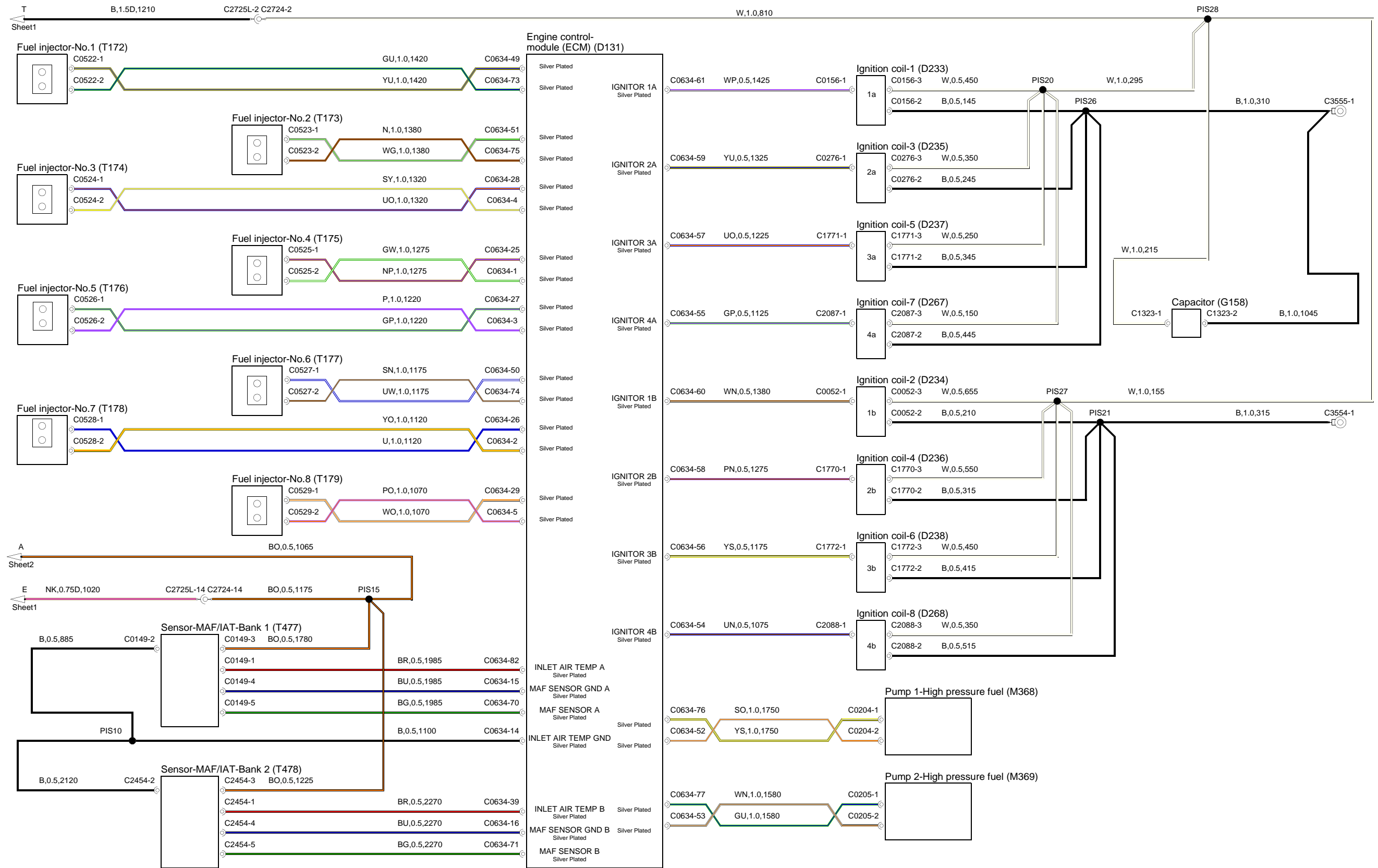
### **Ground points**

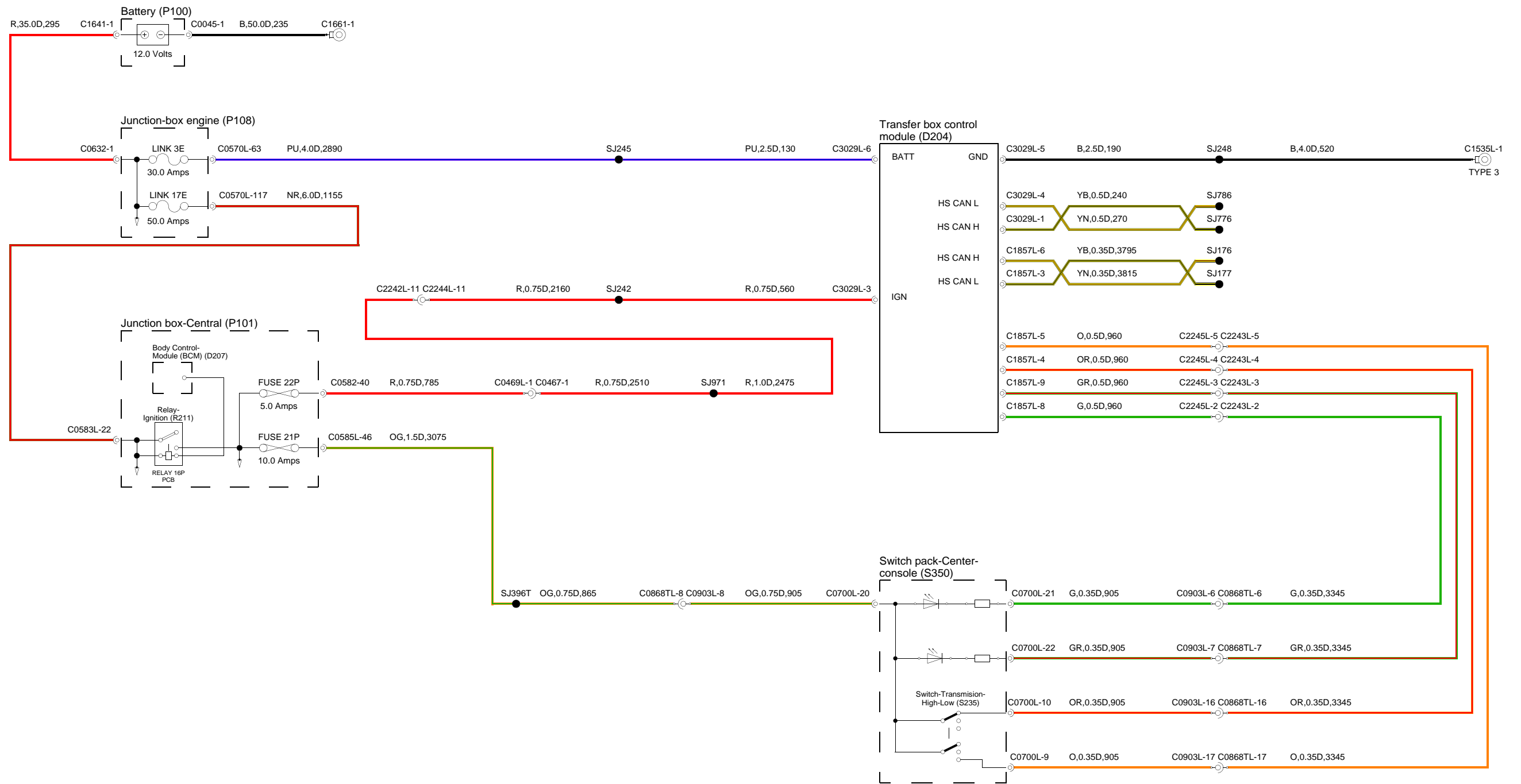
Ground points are identified with an eyelet symbol and a connector number, except where components are grounded through its fixings, when only the eyelet is shown.

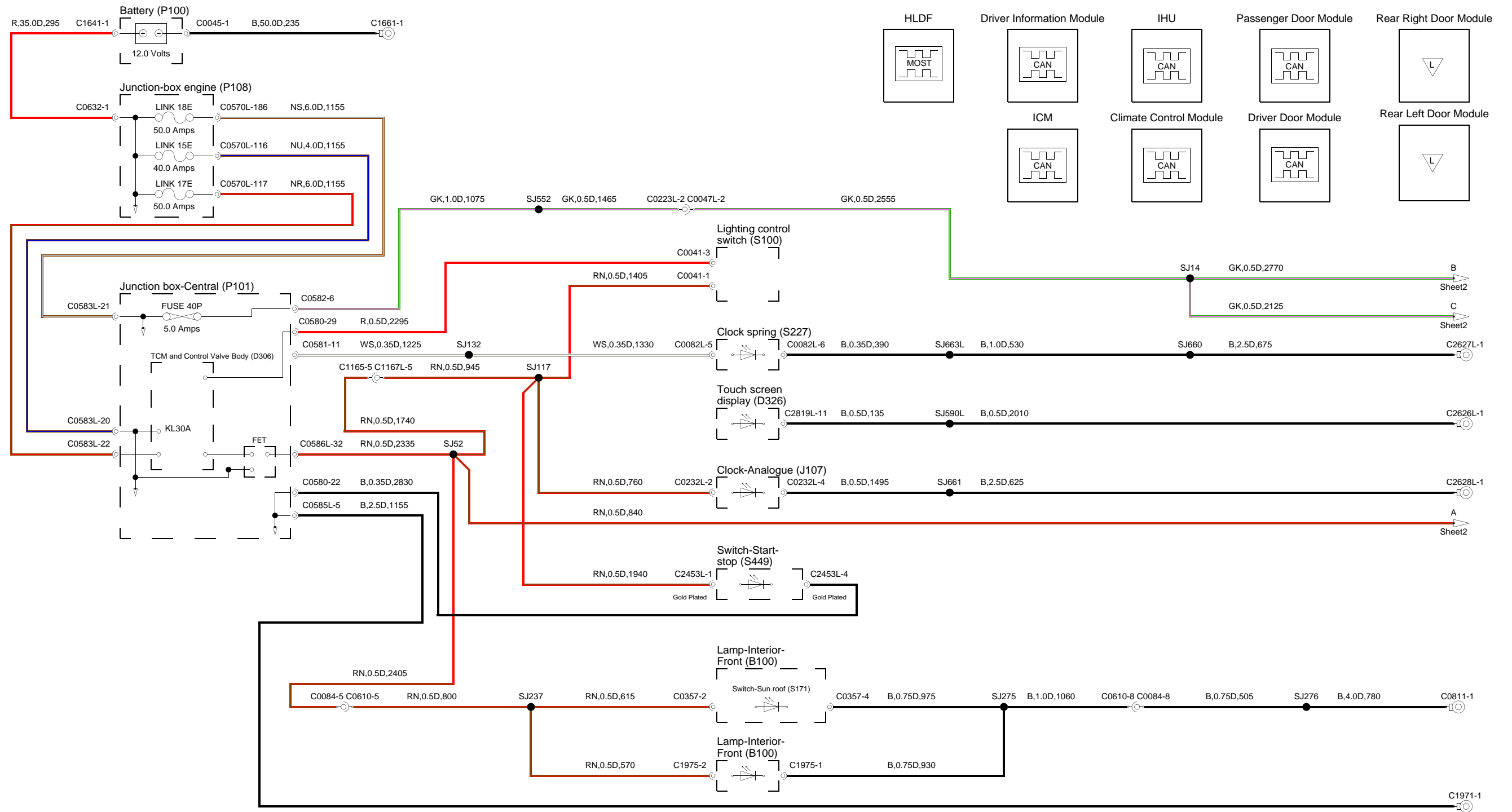
### **Colour Codes**

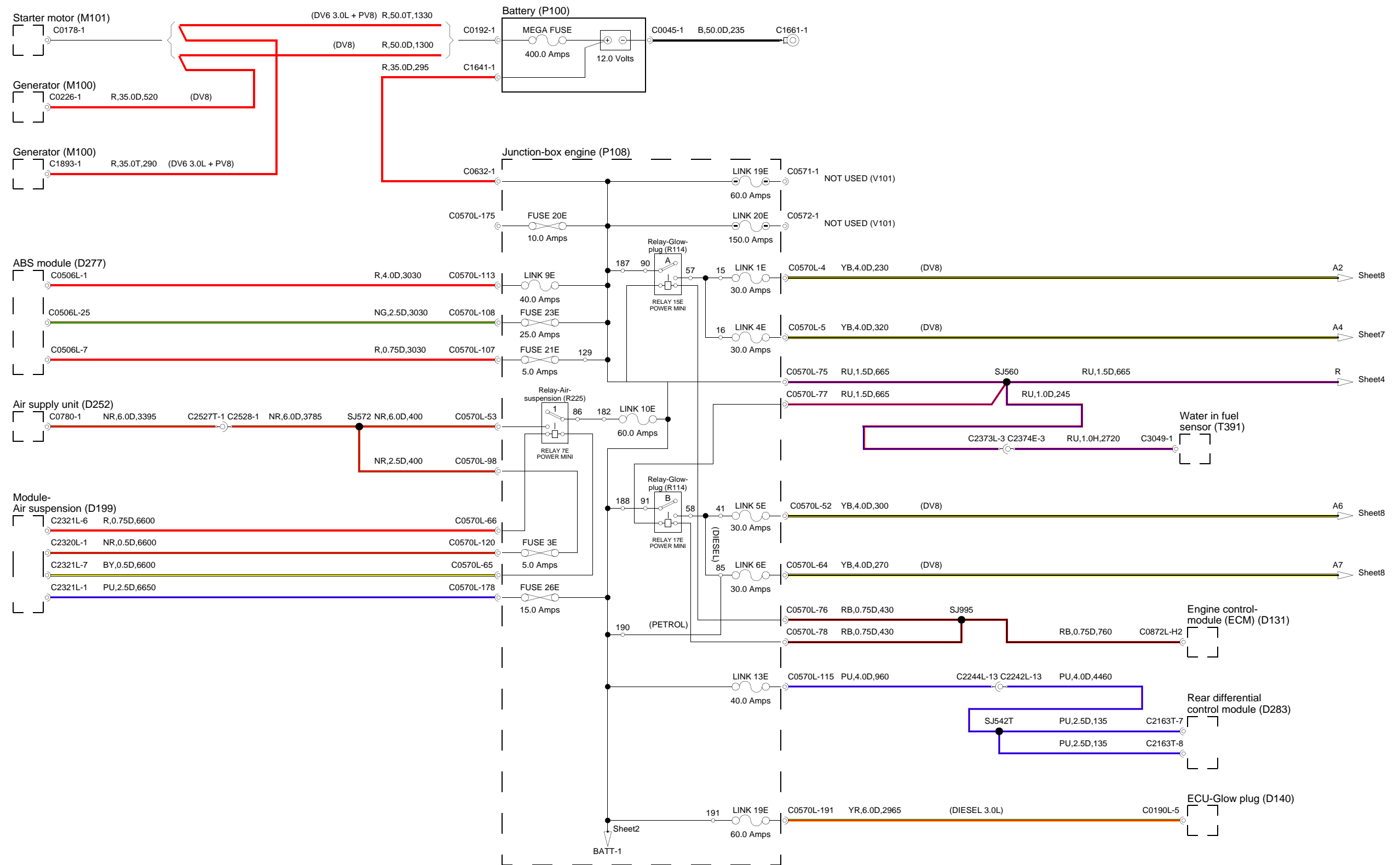
<b>CODE</b>	<b>COLOUR</b>
BK or B	BLACK
BN or N	BROWN
BU or U	BLUE
GN or G	GREEN
GY or S	GREY (slate)
OG or O	ORANGE
PK or K	PINK
RD or R	RED
VT or P	PURPLE
WH or W	WHITE
YE or Y	YELLOW











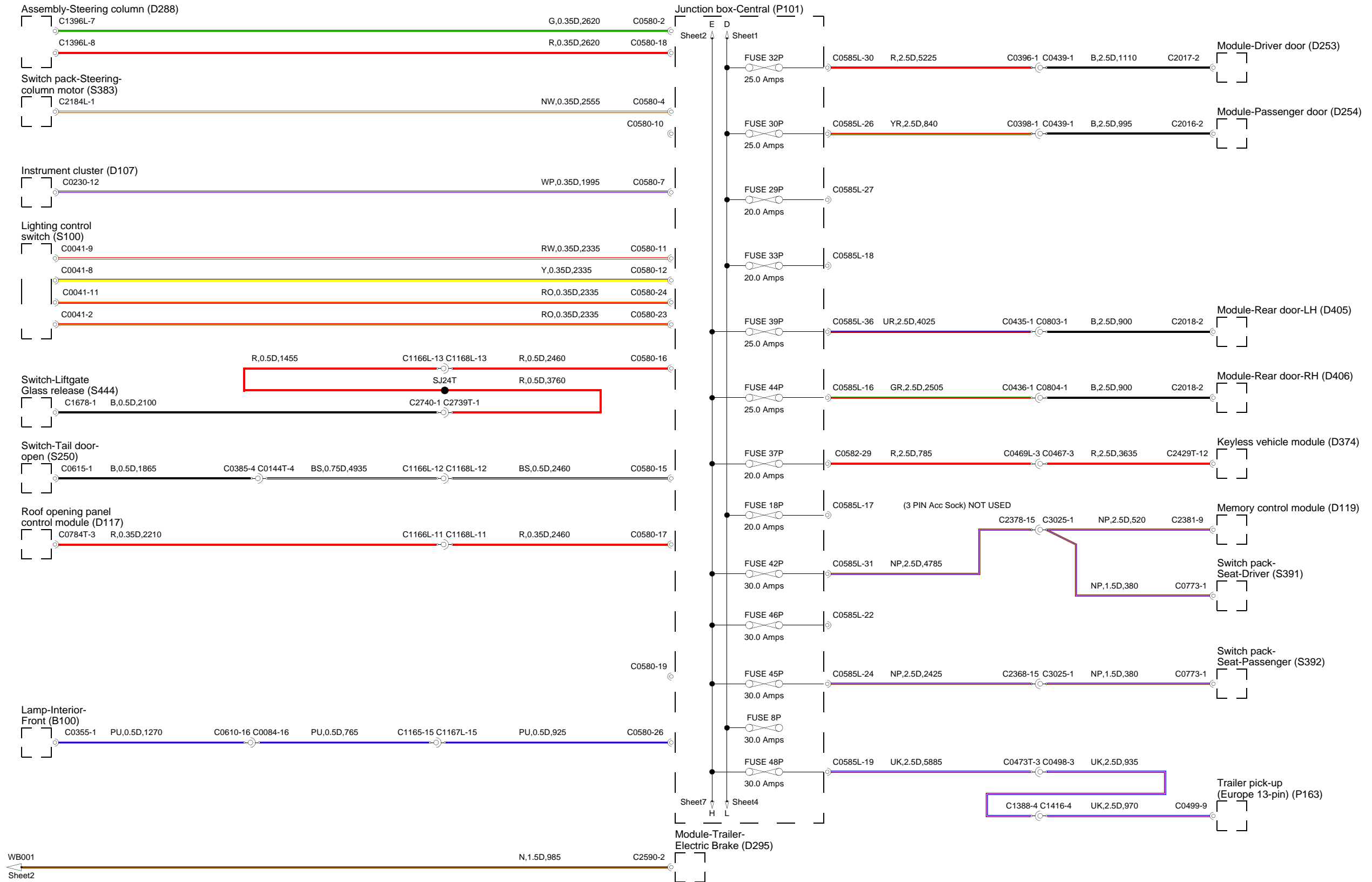
CLICK HERE TO **DOWNLOAD** THE COMPLETE MANUAL

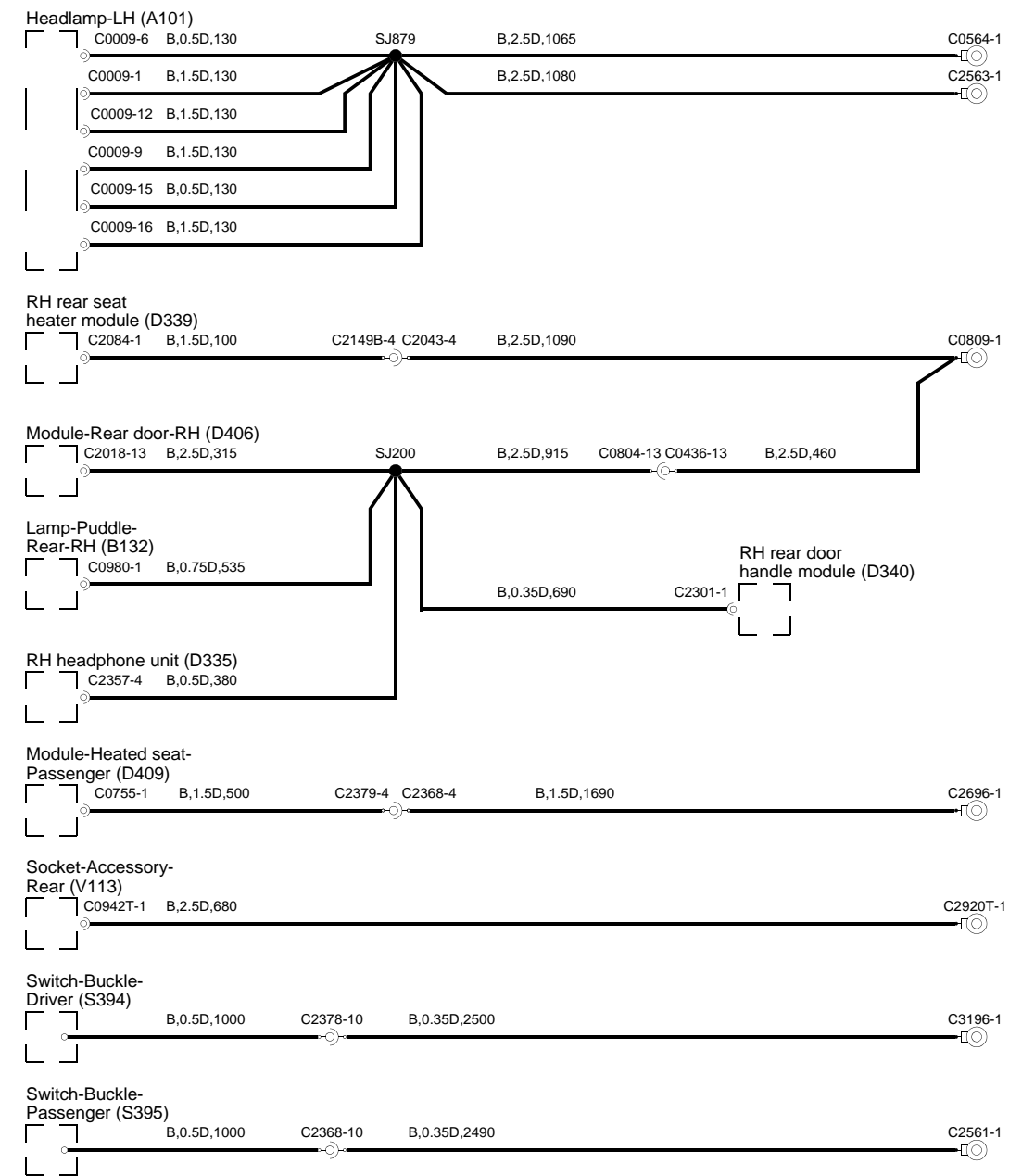
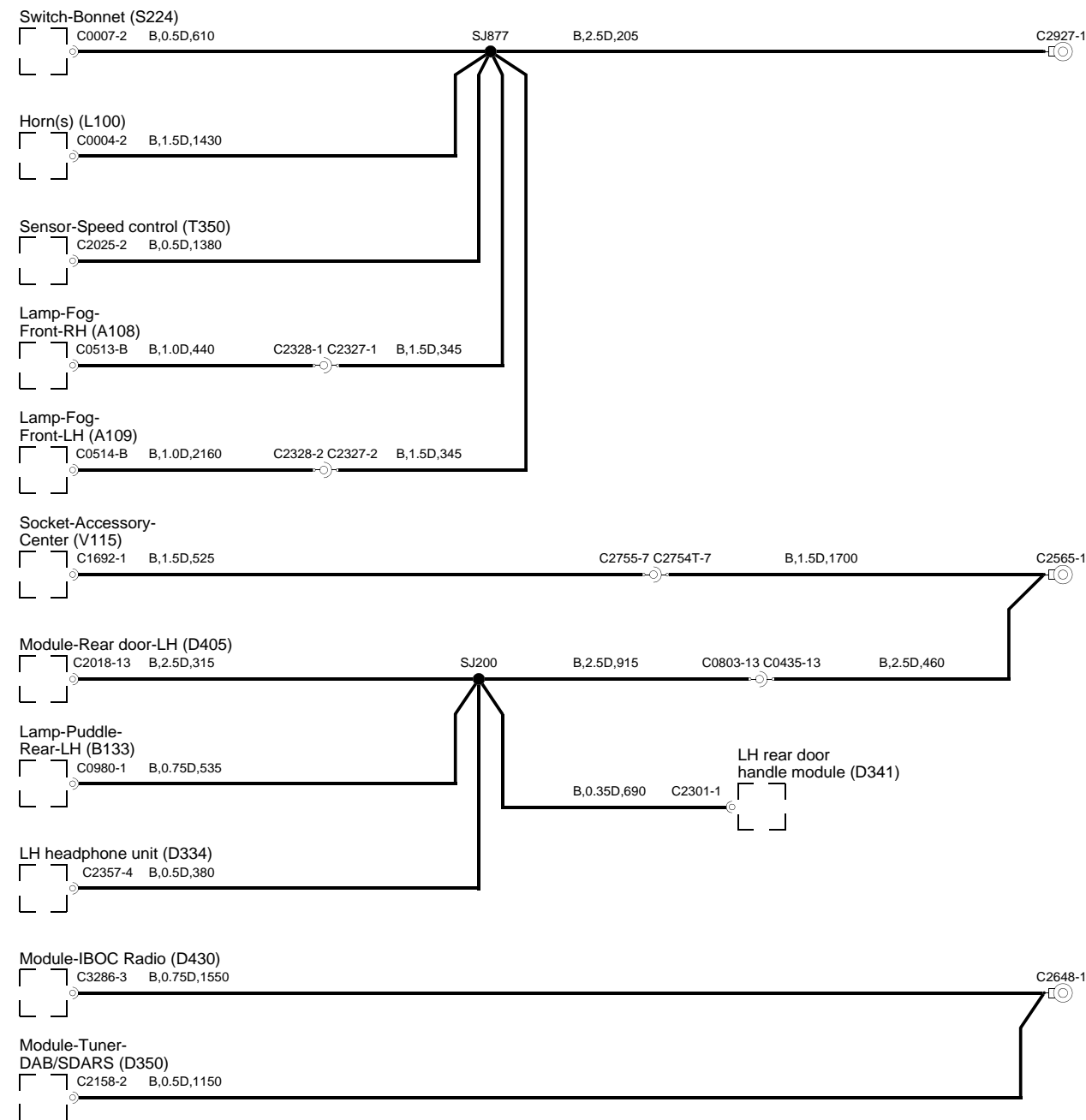
- Thank you very much for reading the preview of the manual.
- You can download the complete manual from: [www.heydownloads.com](http://www.heydownloads.com) by clicking the link below

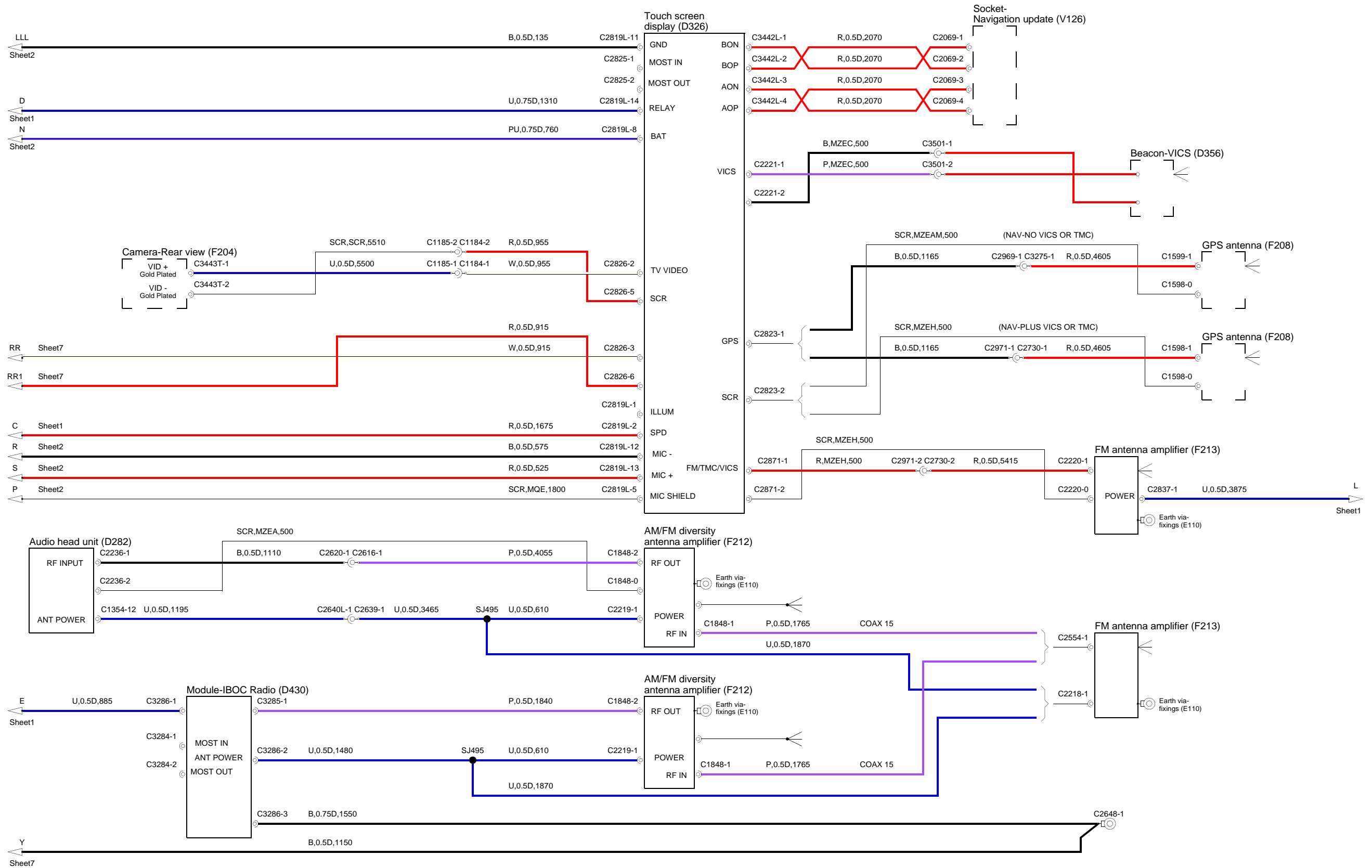


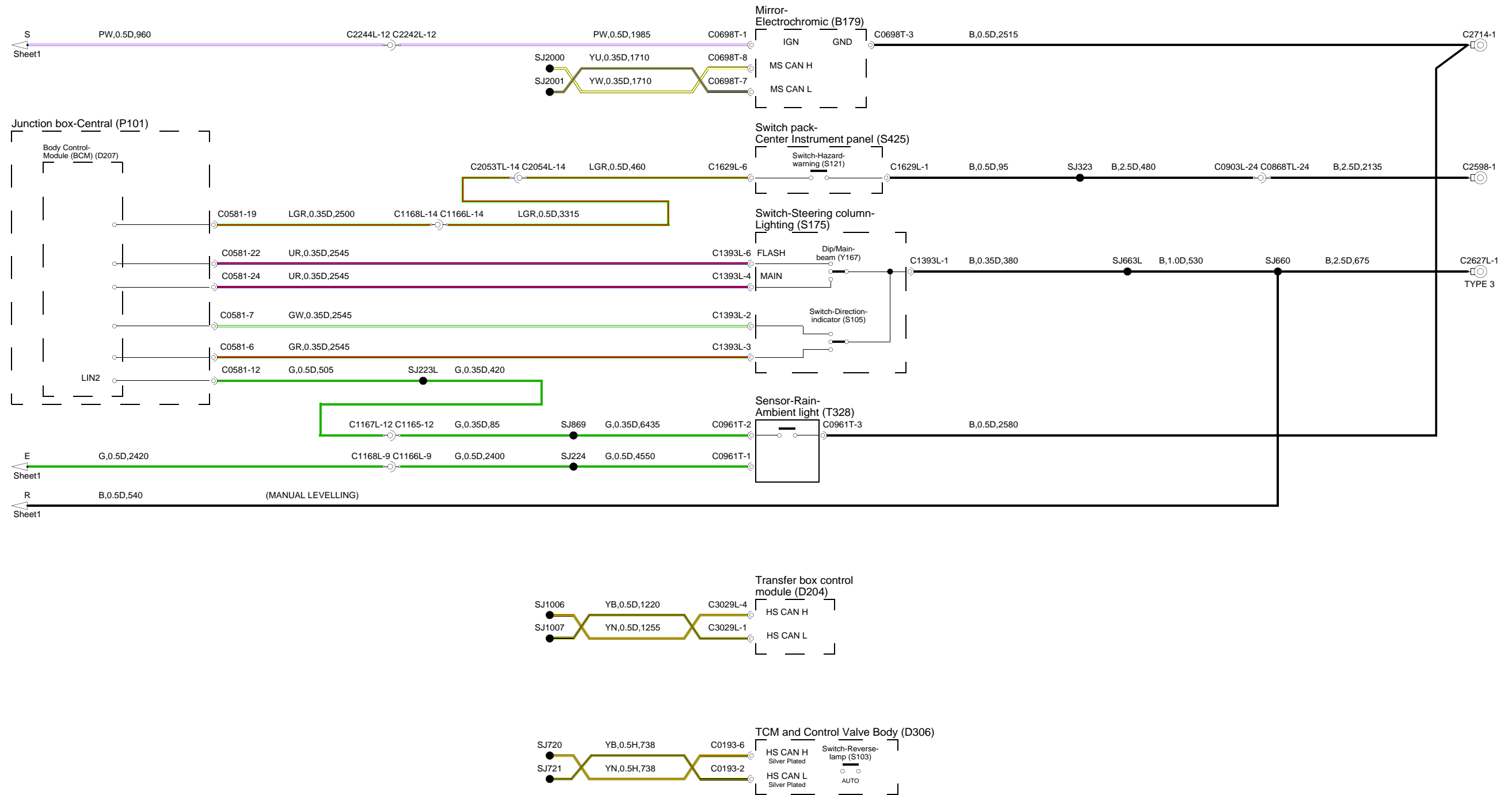
- Please note: If there is no response to CLICKING the link, please download this PDF first and then click on it.

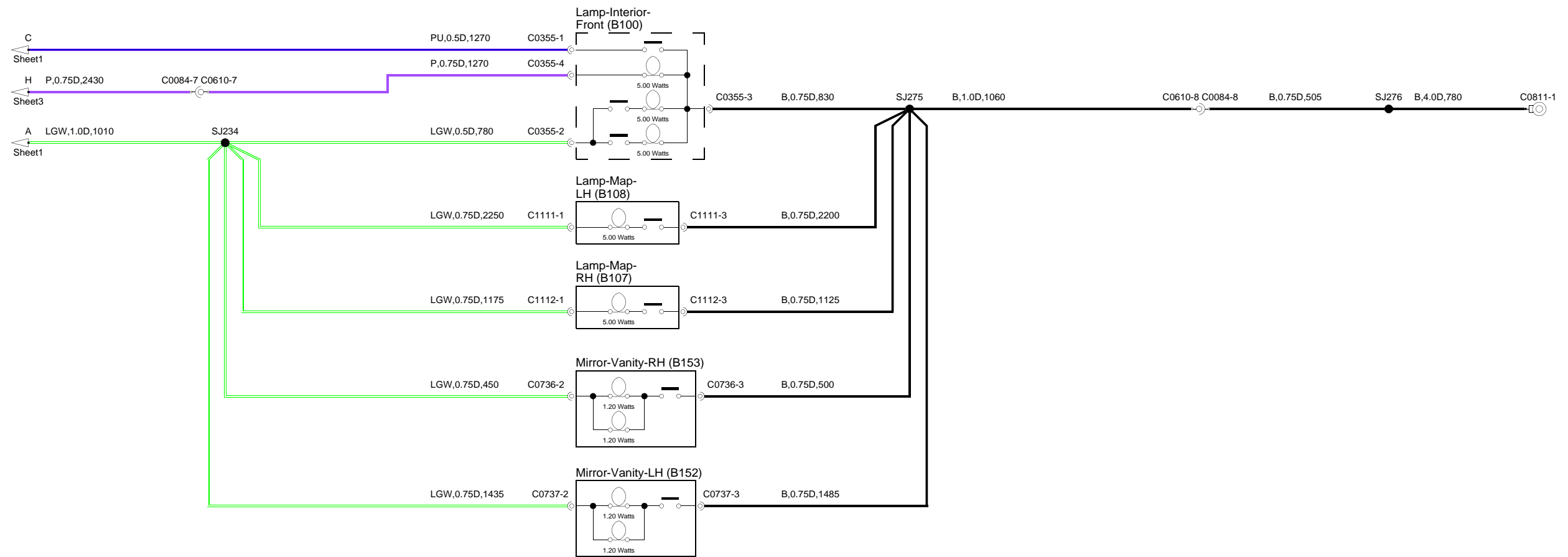
CLICK HERE TO **DOWNLOAD** THE COMPLETE MANUAL

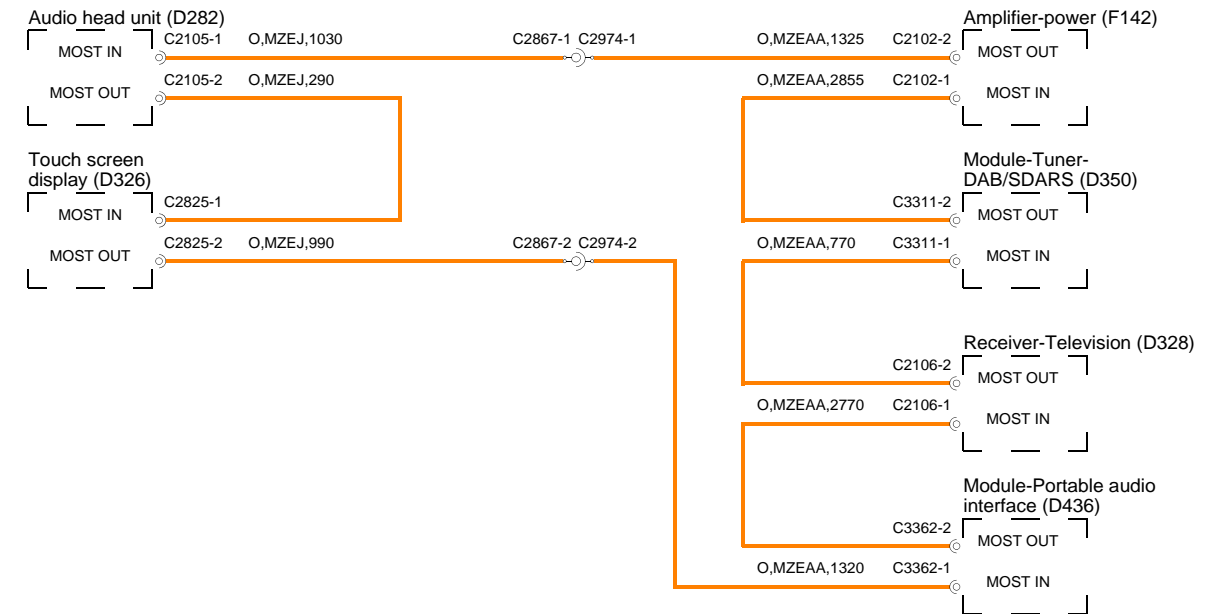
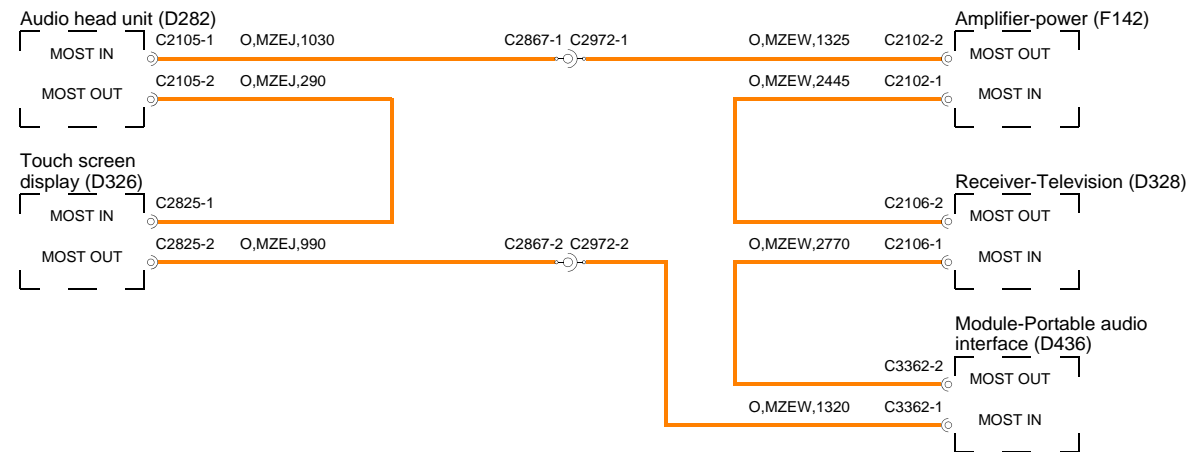
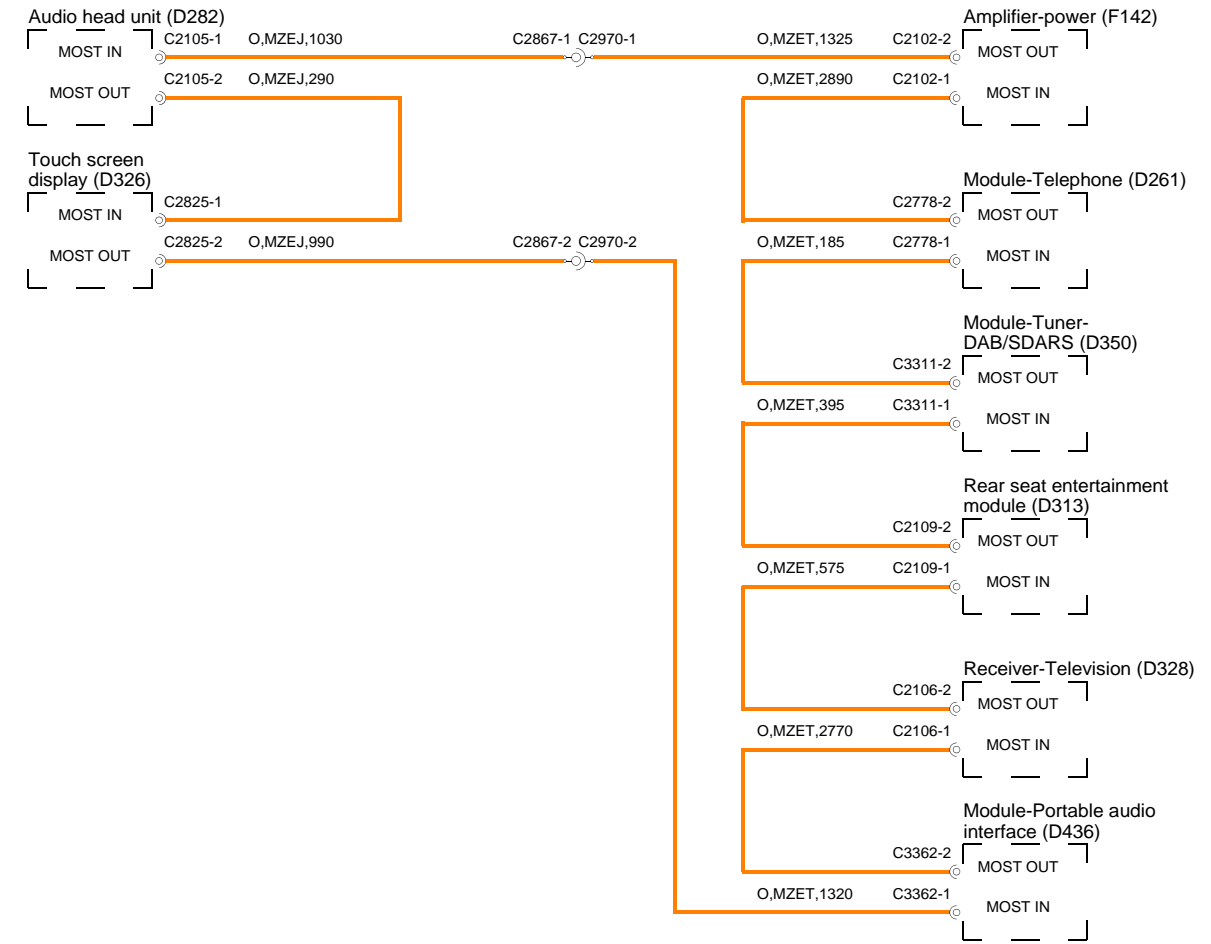
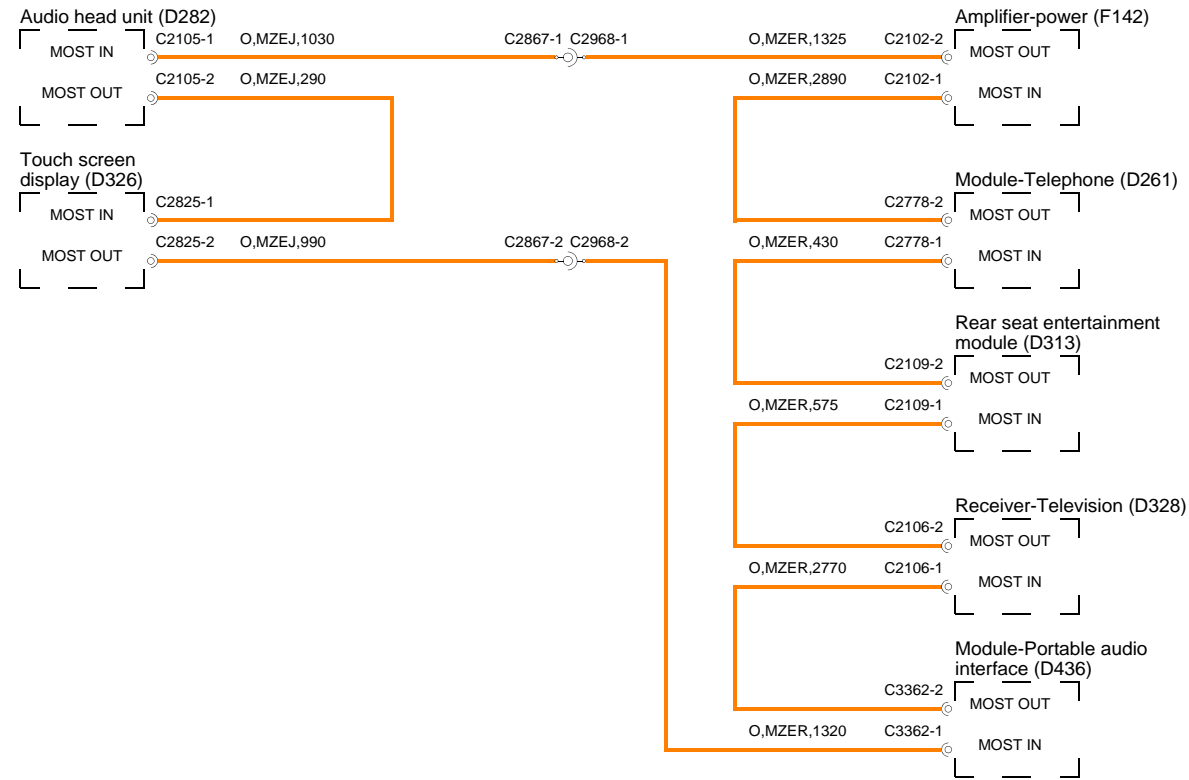


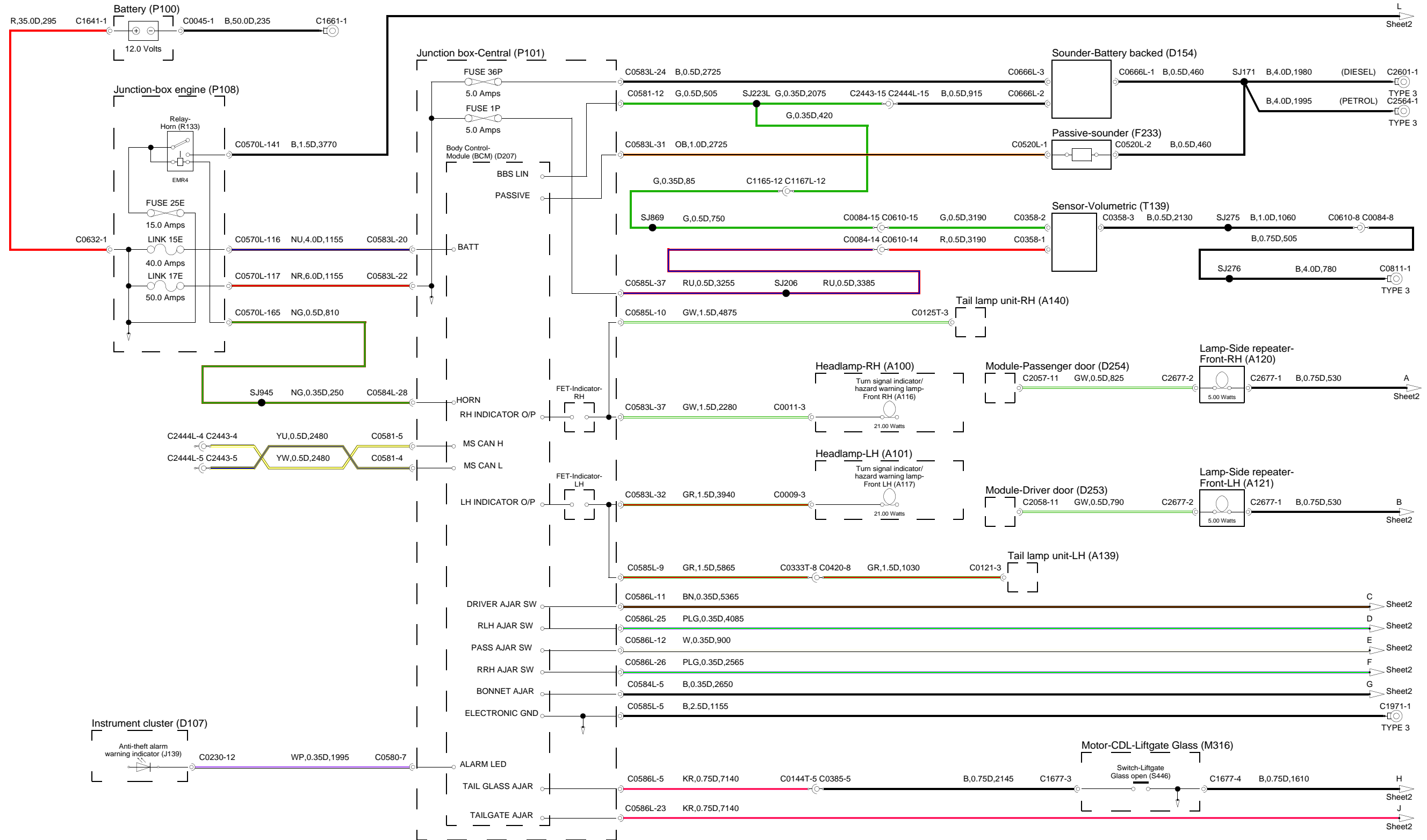


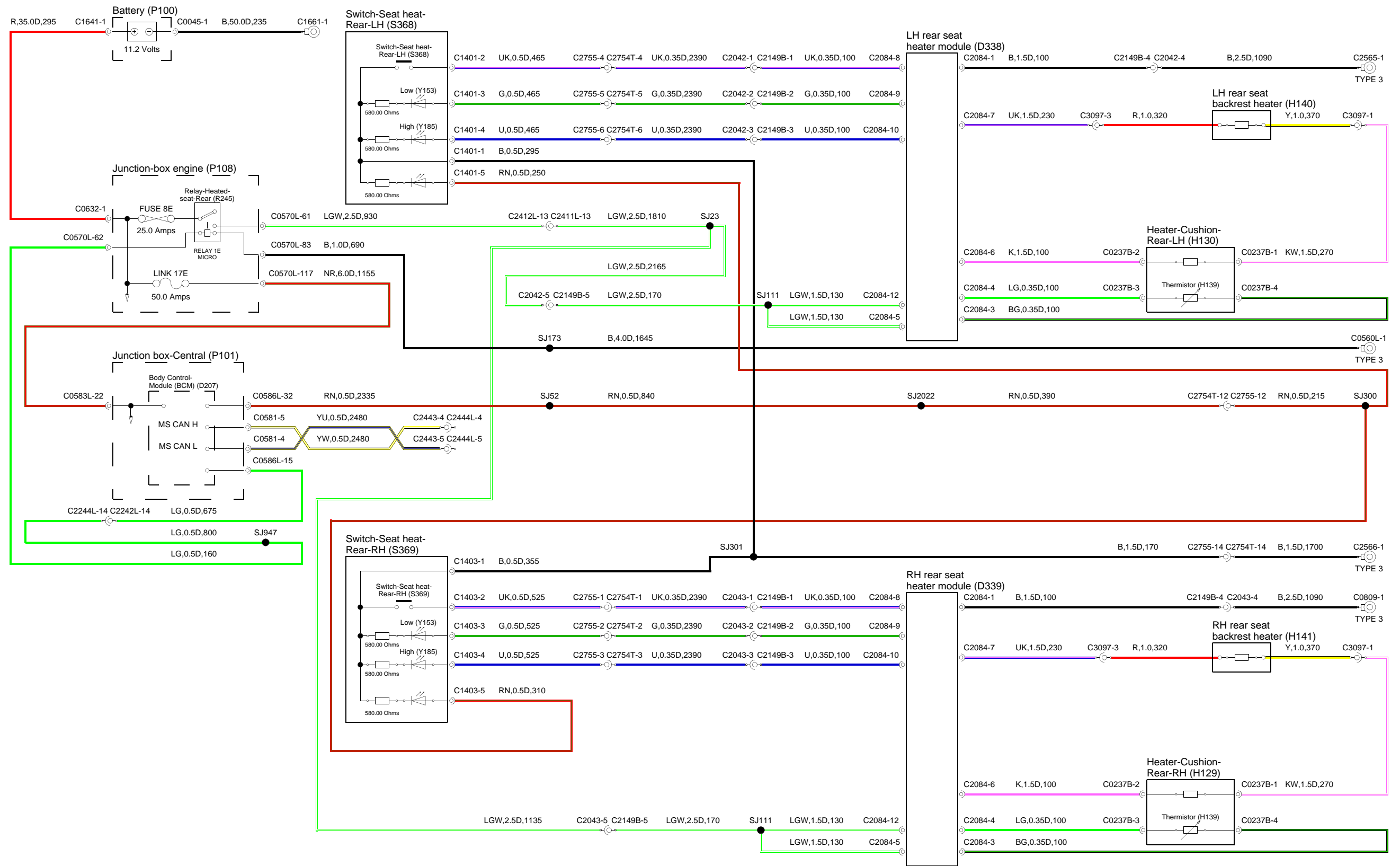












CLICK HERE TO **DOWNLOAD** THE COMPLETE MANUAL

- Thank you very much for reading the preview of the manual.
- You can download the complete manual from: [www.heydownloads.com](http://www.heydownloads.com) by clicking the link below



- Please note: If there is no response to CLICKING the link, please download this PDF first and then click on it.

CLICK HERE TO **DOWNLOAD** THE COMPLETE MANUAL