



Electrical Circuit Diagrams

Elektrische Circuitdiagrammen

Schémas électriques

Elektrische Schaltpläne

Schemi elettrici

Esquemas de Circuitos Eléctricos

Diagramas dos Circuitos Eléctricos



CLICK HERE TO **DOWNLOAD** THE COMPLETE MANUAL

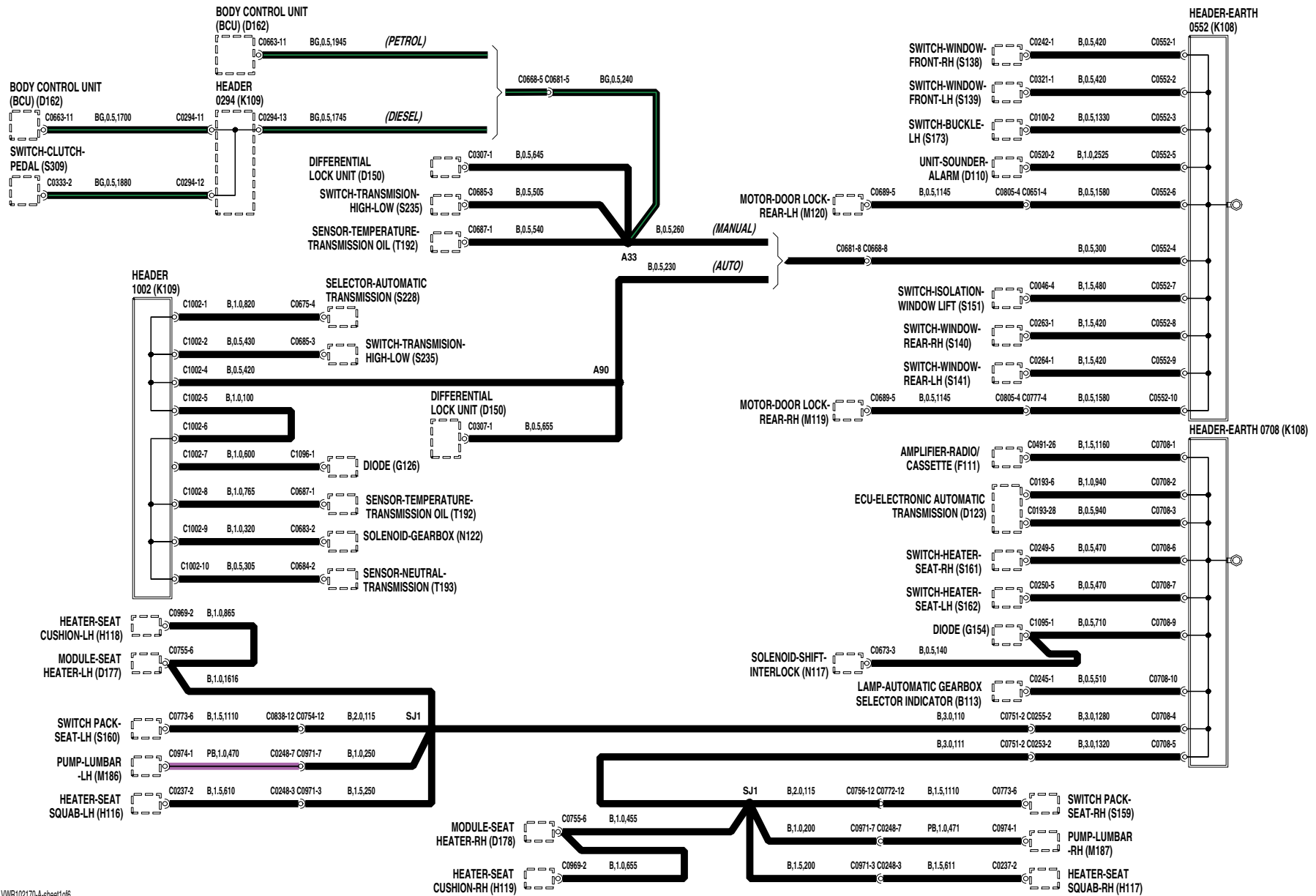
- Thank you very much for reading the preview of the manual.
- You can download the complete manual from: www.heydownloads.com by clicking the link below



- Please note: If there is no response to CLICKING the link, please download this PDF first and then click on it.

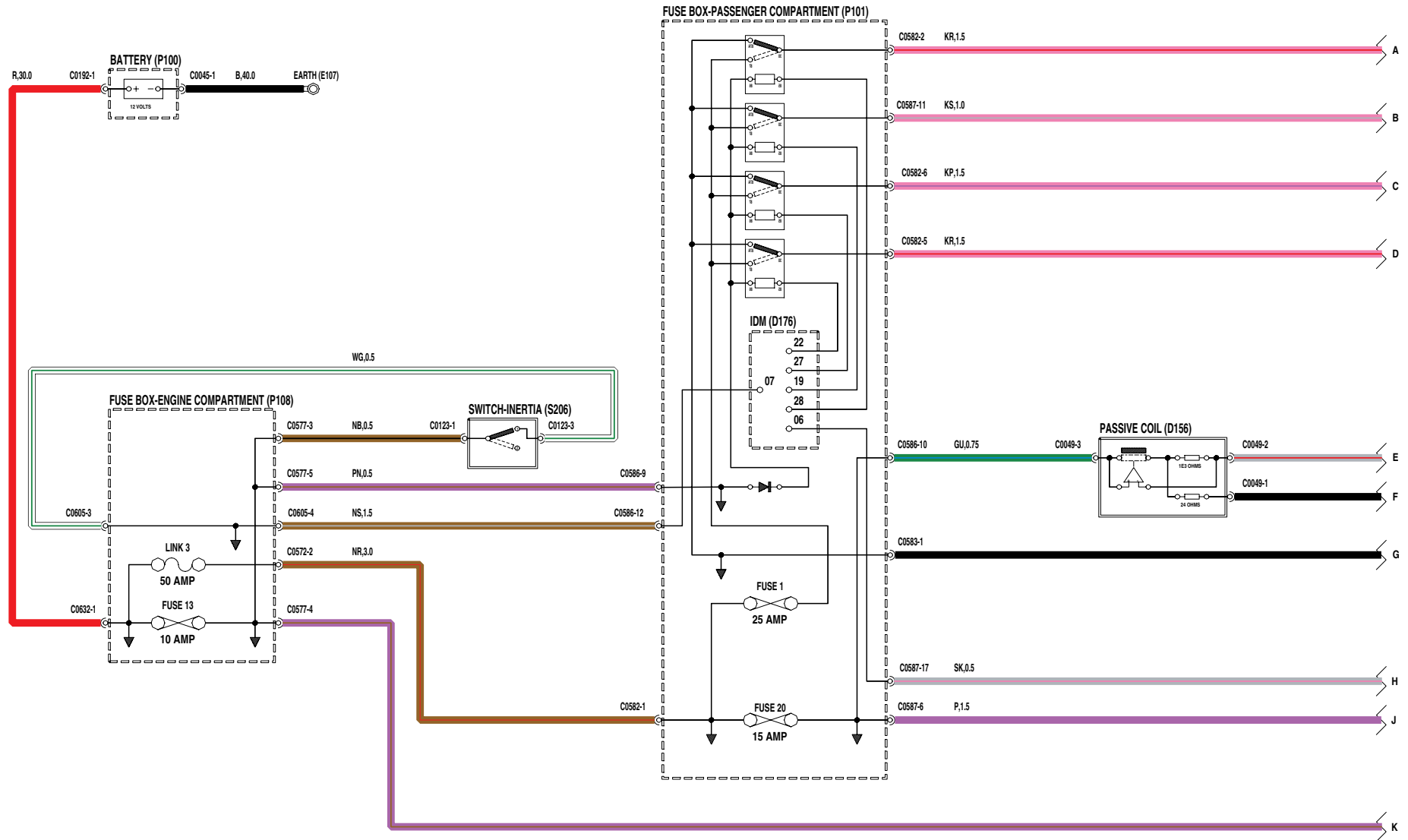
CLICK HERE TO **DOWNLOAD** THE COMPLETE MANUAL

EARTH DISTRIBUTION



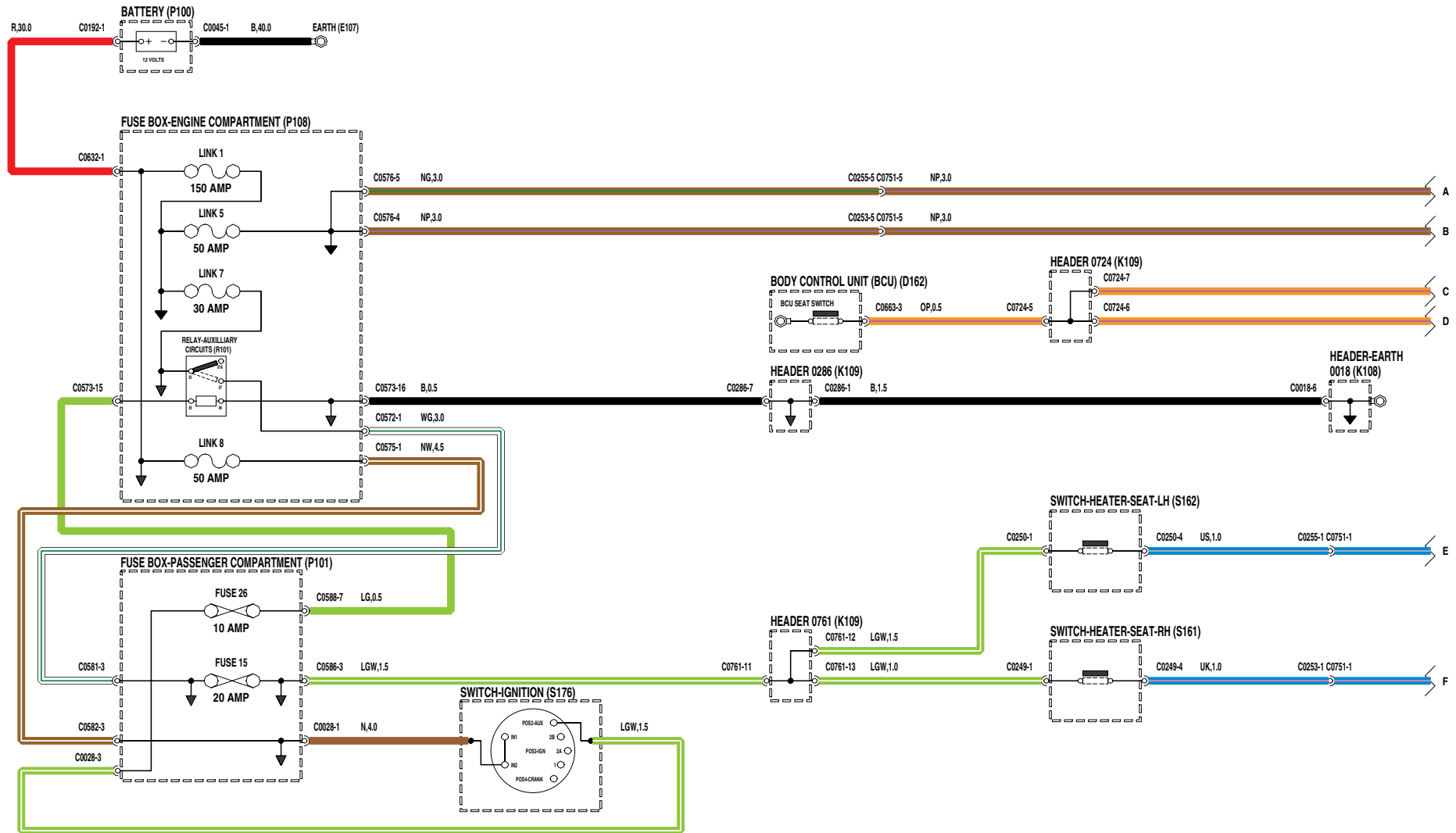
VWR102170-A-sheet1 of6

CENTRAL DOOR LOCKING



VWR108180-A-sheet1of3

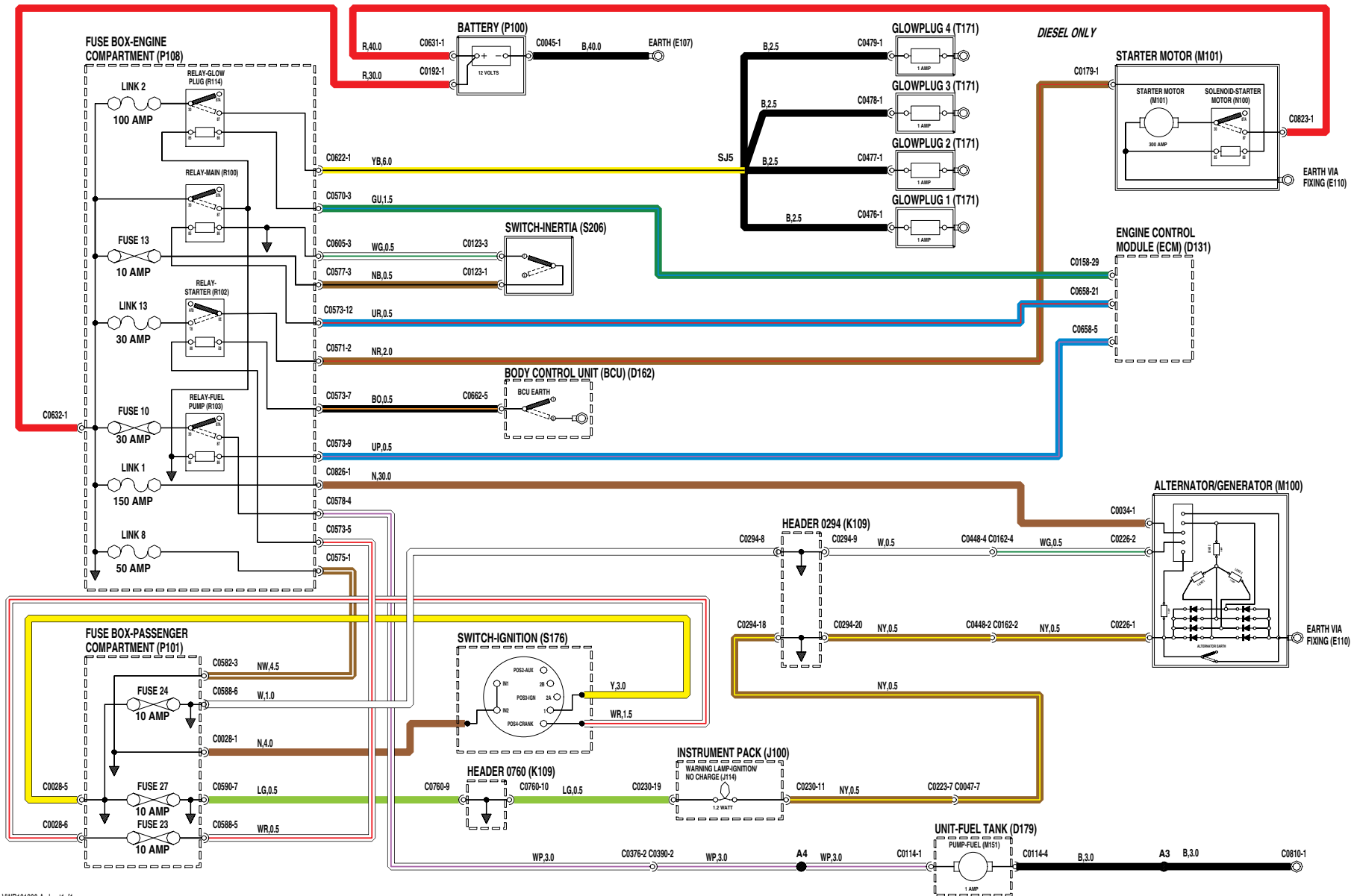
SEATS POWER - HEATED



VWR102200-A-sheet1of3

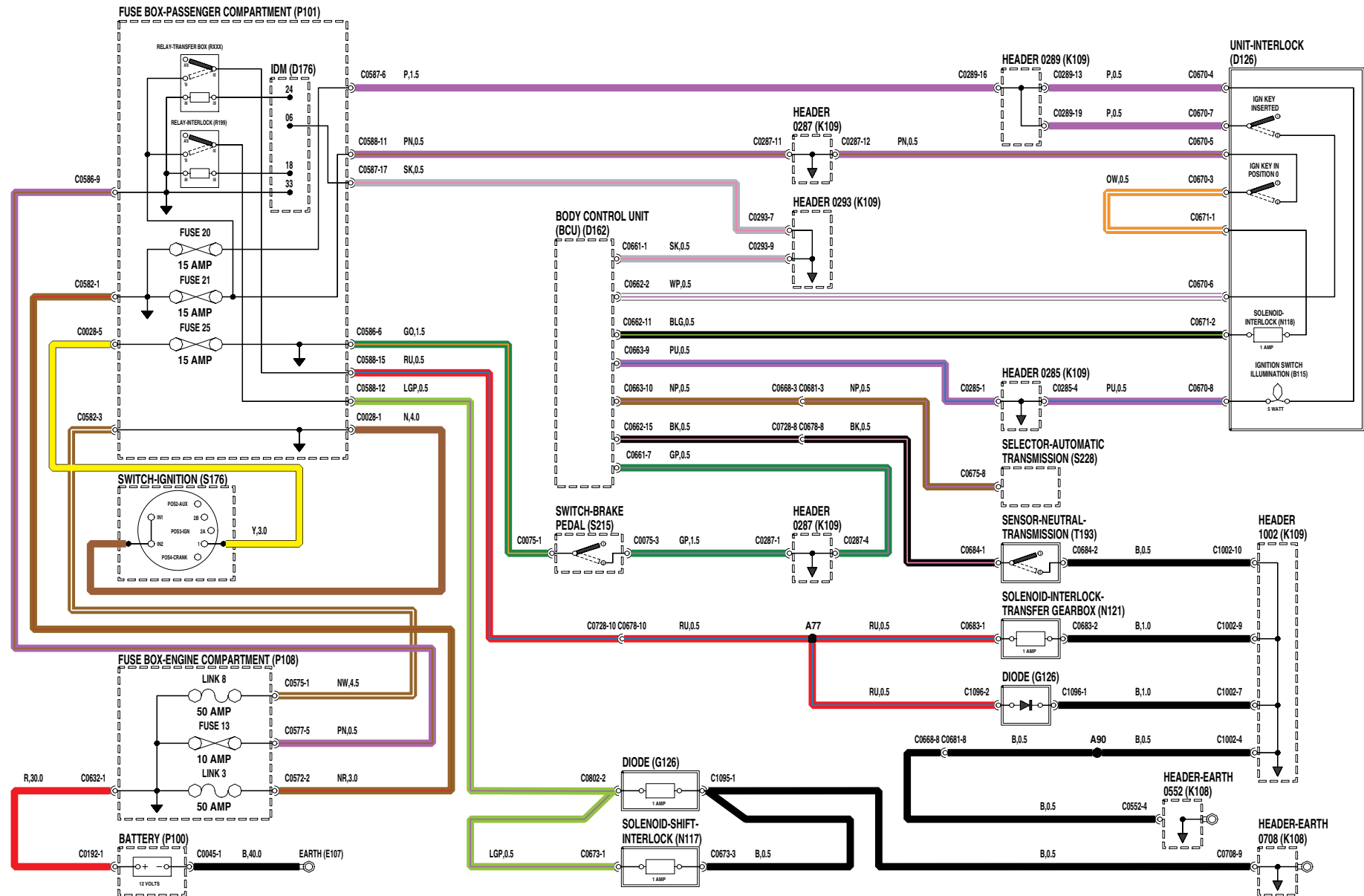
CHARGING AND STARTING

Td5



VWR101890-A-sheet1of1

IGNITION/SHIFT INTERLOCK



VWR105820-A-sheet of 1

CLICK HERE TO **DOWNLOAD** THE COMPLETE MANUAL

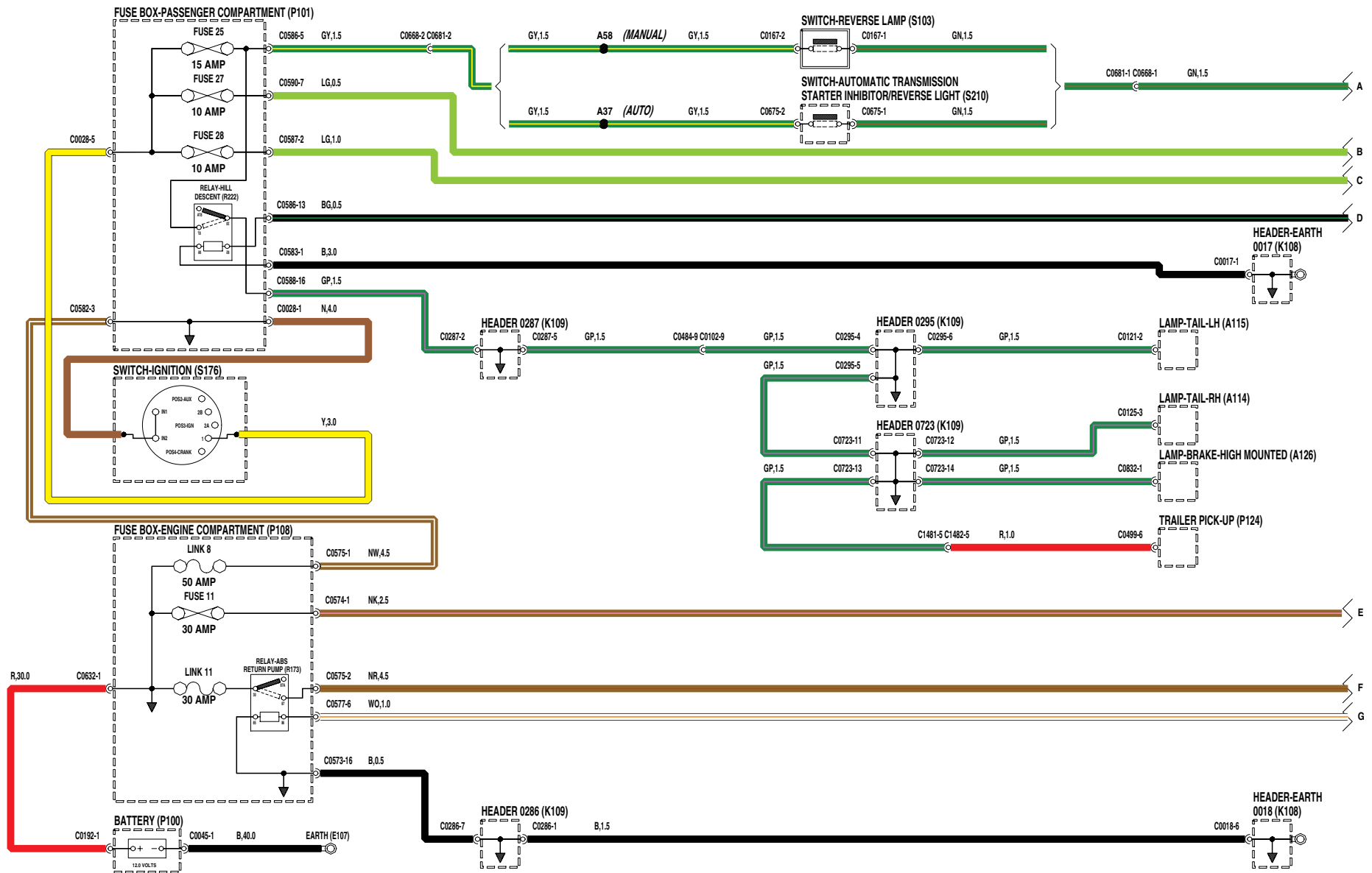
- Thank you very much for reading the preview of the manual.
- You can download the complete manual from: www.heydownloads.com by clicking the link below



- Please note: If there is no response to CLICKING the link, please download this PDF first and then click on it.

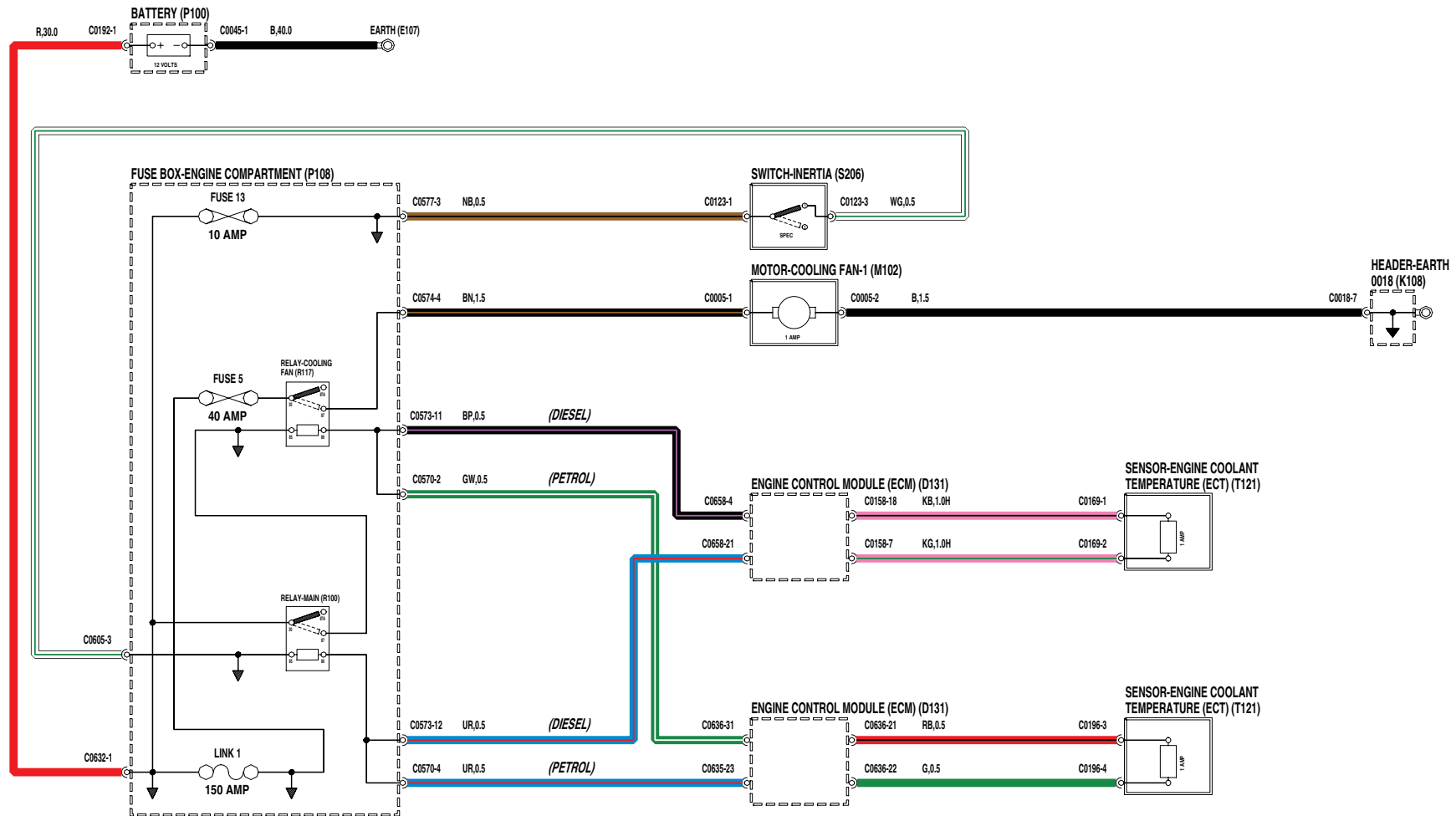
CLICK HERE TO **DOWNLOAD** THE COMPLETE MANUAL

ANTI-LOCK BRAKING SYSTEM (ABS)



VWR108110-A-sheet1of3

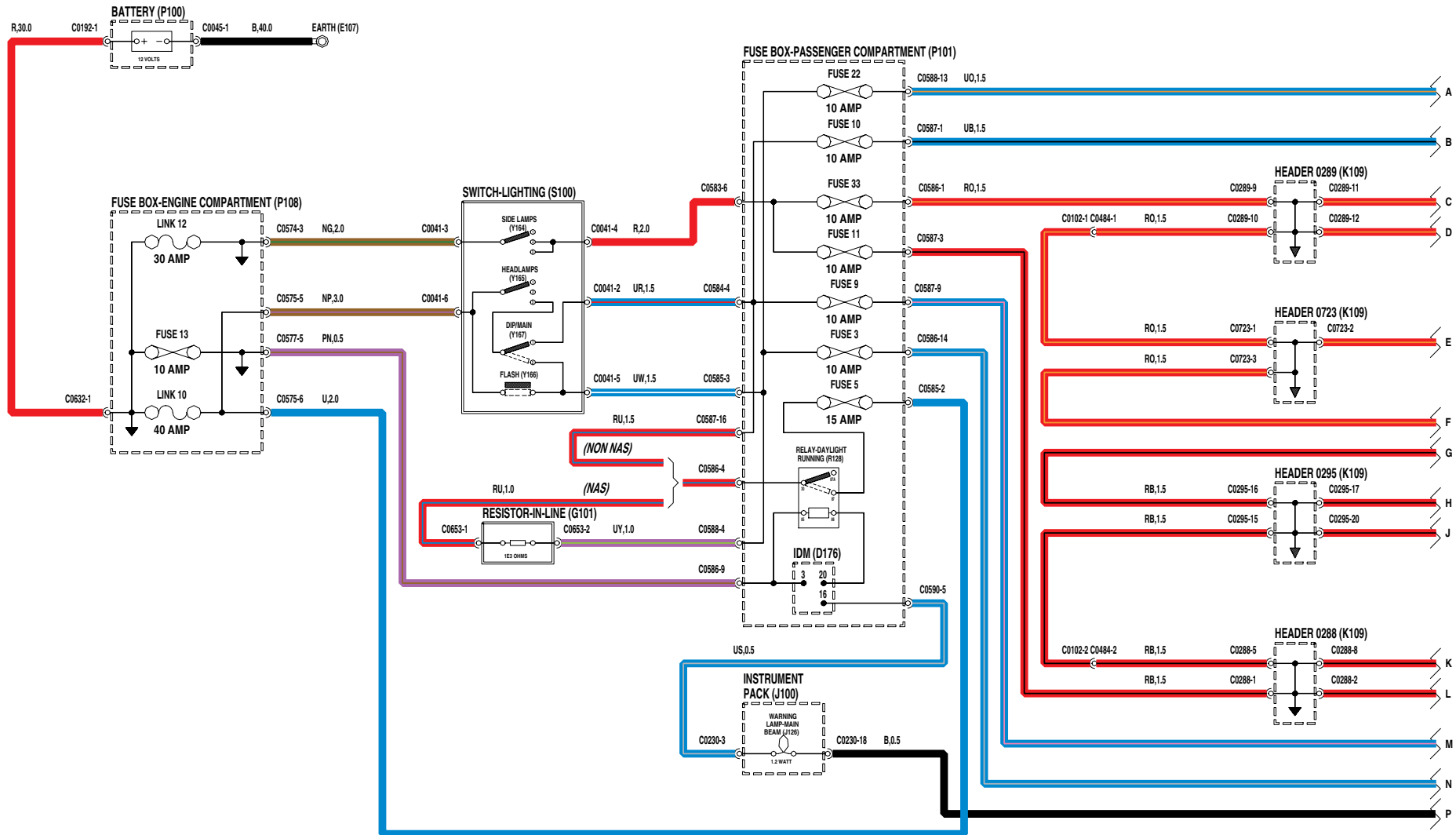
COOLING FANS



VWR102040-A-sheet1of1

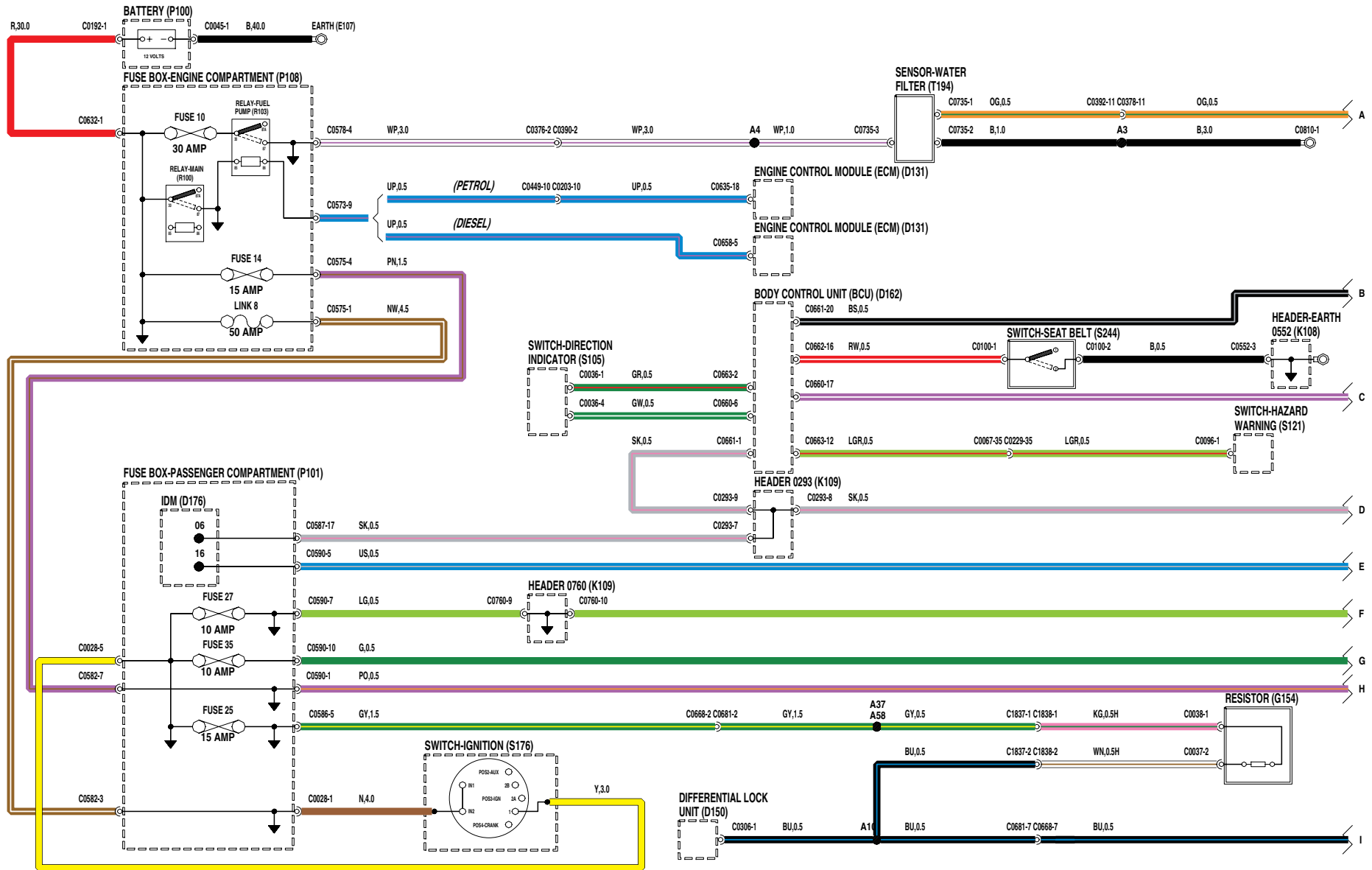
EXTERIOR LAMPS

HEAD, SIDE AND TAIL LAMPS



VWR105560-A-sheet1of2

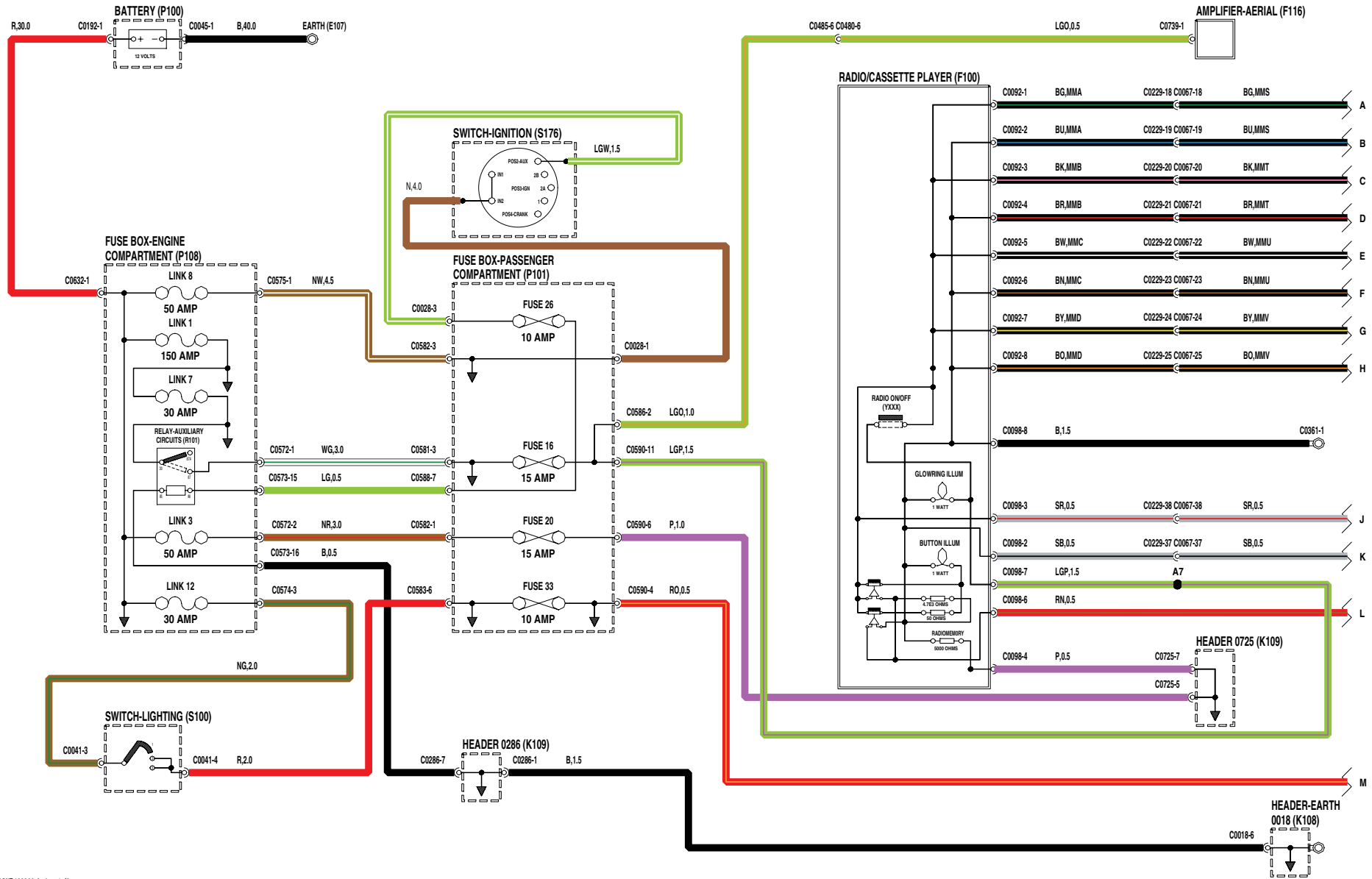
INSTRUMENTS



VWR102090-A-sheet1of3

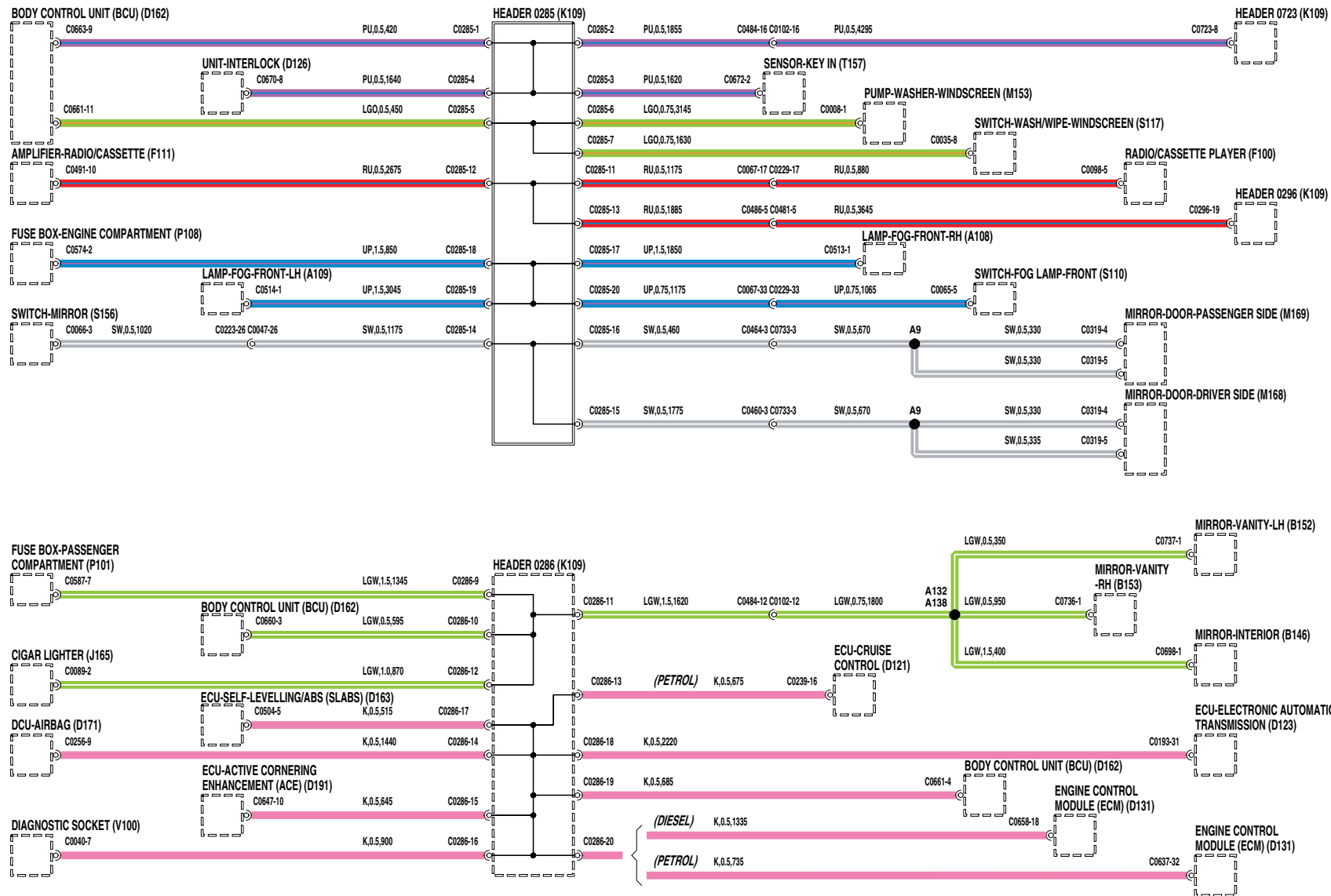
AUDIO SYSTEMS

BASE AND MID LINE



VWR102060-A-sheet1of2

HEADER JOINTS



VWR105860-A-sheet1 of9

CLICK HERE TO **DOWNLOAD** THE COMPLETE MANUAL

- Thank you very much for reading the preview of the manual.
- You can download the complete manual from: www.heydownloads.com by clicking the link below



- Please note: If there is no response to CLICKING the link, please download this PDF first and then click on it.

CLICK HERE TO **DOWNLOAD** THE COMPLETE MANUAL